



US00D888258S

(12) **United States Design Patent**  
**Boon et al.**

(10) **Patent No.:** **US D888,258 S**

(45) **Date of Patent:** **\*\* Jun. 23, 2020**

(54) **CONNECTOR ASSEMBLY**  
(71) Applicant: **OSSUR ICELAND EHF**, Reykjavik (IS)  
(72) Inventors: **Liza A. Boon**, Reykjavik (IS); **Jeroen Canton**, Reykjavik (IS)  
(73) Assignee: **OSSUR ICELAND EHF**, Reykjavik (IS)

2,179,903 A 11/1939 Spears  
2,467,907 A 4/1949 Peckham  
2,573,866 A 11/1951 Murphy  
2,717,841 A 9/1955 Biefeld et al.  
2,935,065 A 5/1960 Homier et al.  
3,031,730 A 5/1962 Morin  
3,046,981 A 7/1962 Biggs, Jr. et al.  
(Continued)

(\*\*) Term: **15 Years**

(21) Appl. No.: **29/665,875**

(22) Filed: **Oct. 8, 2018**

(51) **LOC (12) Cl.** ..... **24-04**

(52) **U.S. Cl.**  
USPC ..... **D24/190**; D11/218

(58) **Field of Classification Search**  
USPC ..... D24/190–192; D11/212, 218, 221  
CPC ..... A61F 5/0123; A61F 2005/0167; A61F 5/0125; A61F 2002/704; A61F 2005/0139; A61F 2/68; A61F 2002/7635; A61F 2002/701; A61F 2002/705; A61F 2005/0179; A61F 2002/764; A61F 2/72; A61F 2002/7645; A61F 2/64; A61F 2/80; A61M 1/101; A61M 1/1015; A61M 25/02; A61M 1/1031

See application file for complete search history.

(56) **References Cited**

**U.S. PATENT DOCUMENTS**

667,768 A 2/1901 Puy  
777,585 A 12/1904 Beatty  
937,478 A 10/1909 Sims  
1,153,334 A 9/1915 Oswald  
1,227,700 A 5/1917 Tucker  
1,328,541 A 1/1920 Palmer  
1,510,408 A 9/1924 Lychou  
1,622,211 A 3/1927 Sheehan  
2,032,923 A 3/1936 Eldridge

**FOREIGN PATENT DOCUMENTS**

CN 101128169 A 2/2008  
DE 846 895 C 8/1952  
(Continued)

**OTHER PUBLICATIONS**

Article: “An Orthosis for Medial or Lateral Stabilization of Arthritic Knees”, by S. Cousins and James Foort, *Orthotics and Prosthetics*, vol. 29, No. 4, pp. 21-26, Dec. 1975.

(Continued)

*Primary Examiner* — Jennifer L Watkins

(74) *Attorney, Agent, or Firm* — Workman Nydegger

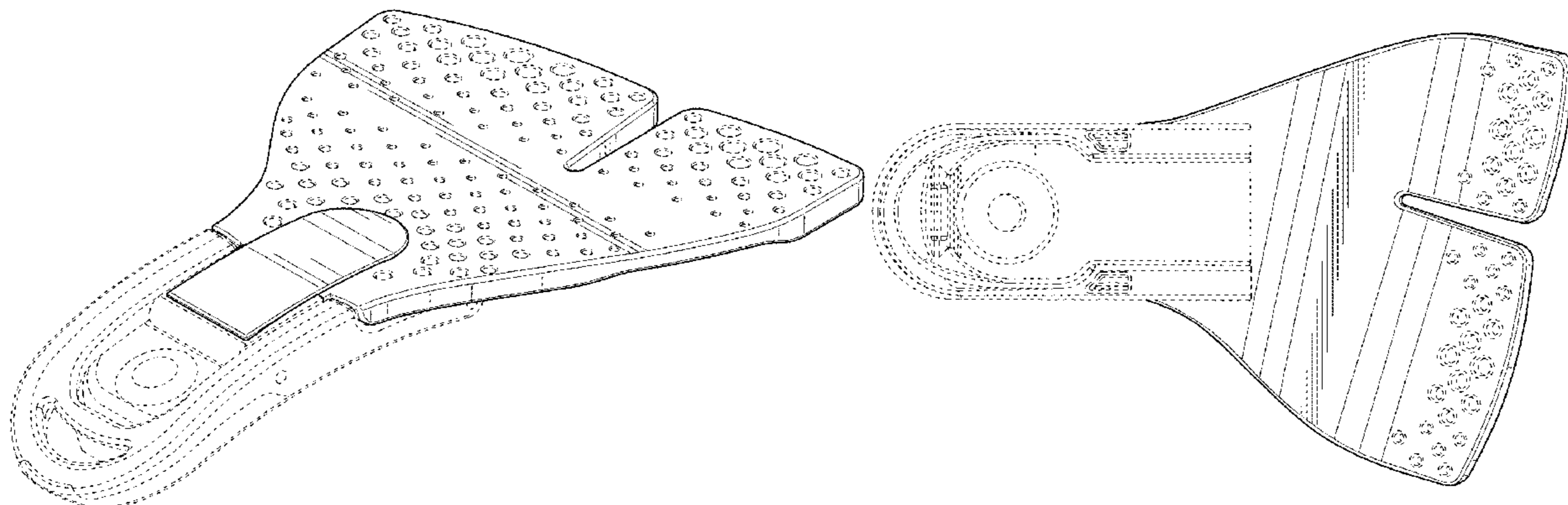
(57) **CLAIM**

The ornamental design for a connector assembly, as shown and described.

**DESCRIPTION**

FIG. 1 is a perspective view of a connector assembly. FIG. 2 is a top plan view according of FIG. 1. FIG. 3 is a bottom plan view of FIG. 1. FIG. 4 is a front elevational view of FIG. 1. FIG. 5 is a rear elevational view of FIG. 1. FIG. 6 is a first side elevational view of FIG. 1; and, FIG. 7 is a second side elevational view of FIG. 1. The broken lines illustrate environmental supplementary structure of the connector assembly and form no part of the claimed design.

**1 Claim, 3 Drawing Sheets**



(56)

## References Cited

## U.S. PATENT DOCUMENTS

3,089,486 A	5/1963	Pike	5,005,527 A	4/1991	Hatfield
3,266,113 A	8/1966	Flanagan, Jr.	5,005,627 A	4/1991	Hatfield
3,463,147 A	8/1969	Stubbs	5,016,621 A	5/1991	Bender
3,514,313 A	5/1970	Martel et al.	5,018,514 A	5/1991	Grood et al.
3,520,765 A	7/1970	Bateman	5,020,196 A	6/1991	Panach et al.
3,528,412 A	9/1970	McDavid	5,022,109 A	6/1991	Pekar
3,581,741 A	1/1971	Rosman	5,063,916 A	11/1991	France et al.
3,561,436 A	2/1971	Gaylord, Jr.	5,067,772 A	11/1991	Koa
3,594,863 A	7/1971	Erb	5,077,870 A	1/1992	Melbye et al.
3,594,865 A	7/1971	Erb	5,085,210 A	2/1992	Smith, III
3,742,557 A	7/1973	Francois	5,112,296 A	5/1992	Beard et al.
3,752,619 A	8/1973	Menzin et al.	5,154,682 A	10/1992	Kellerman
3,758,657 A	9/1973	Menzin et al.	5,157,813 A	10/1992	Carroll
3,789,842 A	2/1974	Froimson	5,181,331 A	1/1993	Berger
3,804,084 A	4/1974	Lehman	D337,425 S *	7/1993	Hatfield ..... D2/973
3,817,244 A	6/1974	Taylor	5,227,698 A	7/1993	Simpson et al.
3,851,357 A	12/1974	Ribich et al.	5,242,379 A	9/1993	Harris et al.
3,877,426 A	4/1975	Nirschl	5,267,951 A	12/1993	Ishii
3,916,077 A	10/1975	Damrau	5,277,697 A	1/1994	France et al.
3,927,881 A	12/1975	Lemelson et al.	5,277,698 A	1/1994	Taylor
3,945,046 A	3/1976	Stromgren	5,288,287 A	2/1994	Castillo et al.
3,955,565 A	5/1976	Johnson, Jr.	5,302,169 A	4/1994	Taylor
4,130,115 A	12/1978	Taylor	5,306,230 A	4/1994	Bodine
4,193,395 A	3/1980	Gruber	5,314,455 A	5/1994	Johnson, Jr. et al.
4,204,532 A	5/1980	Lind et al.	5,316,547 A	5/1994	Gildersleeve
4,240,414 A	12/1980	Theisler	5,322,729 A	6/1994	Heeter et al.
4,269,179 A	5/1981	Burton et al.	5,334,135 A	8/1994	Grim et al.
4,269,181 A	5/1981	Delannoy	5,344,135 A	9/1994	Isobe et al.
4,275,716 A	6/1981	Scott, Jr.	5,368,549 A	11/1994	McVicker
4,280,489 A	7/1981	Johnson, Jr.	5,383,845 A	1/1995	Nebolon
4,291,072 A	9/1981	Barrett et al.	5,397,296 A	3/1995	Sydor et al.
4,296,744 A	10/1981	Palumbo	5,415,625 A	5/1995	Cassford
4,304,560 A	12/1981	Greenwood	5,431,623 A	7/1995	Rice
4,312,335 A	1/1982	Daniell, Jr.	5,437,619 A	8/1995	Malewicz et al.
4,336,279 A	6/1982	Metzger	5,445,602 A	8/1995	Grim et al.
4,372,298 A	2/1983	Lerman	5,449,341 A	9/1995	Harris
4,381,768 A	5/1983	Erichsen et al.	5,458,565 A	10/1995	Tillinghast, III
4,381,769 A	5/1983	Prahl	5,468,219 A	11/1995	Crippen
4,386,723 A	6/1983	Mule	5,472,413 A	12/1995	Detty
4,396,012 A	8/1983	Cobiski	5,474,524 A	12/1995	Carey
4,470,857 A	9/1984	Casalou	5,497,513 A	3/1996	Arabeyre et al.
4,472,461 A	9/1984	Johnson	5,500,268 A	3/1996	Billarant
4,506,661 A	3/1985	Foster	5,512,039 A	4/1996	White
4,528,440 A	7/1985	Ishihara	5,513,658 A	5/1996	Goseki
4,554,913 A	11/1985	Womack et al.	5,514,081 A	5/1996	Mann
4,556,053 A	12/1985	Irons	5,527,269 A	6/1996	Reithofer
4,572,170 A	2/1986	Cronk et al.	5,540,982 A	7/1996	Scholz et al.
4,617,214 A	10/1986	Billarant	5,542,911 A	8/1996	Cassford et al.
4,632,098 A	12/1986	Grundeil et al.	5,562,605 A	10/1996	Taylor
4,677,713 A	7/1987	Copp	5,599,288 A	2/1997	Shirley et al.
4,693,921 A	9/1987	Billarant et al.	5,695,452 A	2/1997	Grim et al.
D292,529 S	10/1987	Saare	5,614,045 A	3/1997	Billarant
4,697,583 A	10/1987	Mason et al.	5,624,389 A	4/1997	Zepf
4,724,831 A	2/1988	Huntjens	5,635,201 A	6/1997	Fabo
4,768,500 A	9/1988	Mason et al.	5,638,588 A	6/1997	Jungkind
4,775,310 A	10/1988	Fischer	5,654,070 A	8/1997	Billarant
D298,568 S	11/1988	Womack et al.	5,656,226 A	8/1997	McVicker
4,782,605 A	11/1988	Cahpnick	5,665,449 A	9/1997	Billarant
4,791,916 A	12/1988	Paez	5,713,837 A	2/1998	Grim et al.
4,794,028 A	12/1988	Fischer	D392,877 S	3/1998	Eguchi
4,801,138 A	1/1989	Airy et al.	5,737,854 A	4/1998	Sussmann
4,802,939 A	2/1989	Billarant et al.	5,759,167 A	6/1998	Shields, Jr. et al.
4,805,606 A	2/1989	McDavid, III	5,769,808 A	6/1998	Matthijs et al.
4,854,308 A	8/1989	Drillio	5,774,902 A	7/1998	Gehse
4,856,501 A	8/1989	Castillo et al.	5,795,640 A	8/1998	Billarant
4,856,502 A	8/1989	Ersfeld et al.	5,807,294 A	9/1998	Cawley et al.
4,872,243 A	10/1989	Fischer	5,823,931 A	10/1998	Gilmour
4,922,929 A	5/1990	DeJournett	5,823,981 A	10/1998	Grim et al.
4,933,035 A	6/1990	Billarant et al.	5,840,398 A	11/1998	Billarant
4,953,543 A	9/1990	Grim et al.	5,857,988 A	1/1999	Shirley
4,961,544 A	10/1990	Bidoia	5,857,989 A	1/1999	Smith, III
4,966,133 A	10/1990	Kausek	5,865,776 A	2/1999	Springs
4,989,593 A	2/1991	Campagna et al.	5,865,777 A	2/1999	Detty
4,991,574 A	2/1991	Pocknell	5,865,782 A	2/1999	Fareed
4,991,640 A	2/1991	Verkindt et al.	5,873,848 A	2/1999	Fulkerson
			5,891,061 A	4/1999	Kaiser
			5,891,071 A	4/1999	Stearns et al.
			5,900,303 A	5/1999	Billarant
			5,916,187 A	6/1999	Brill

(56)

References Cited

U.S. PATENT DOCUMENTS

5,948,707 A	9/1999	Crawley et al.	9,017,274 B2 *	4/2015	Forbes .....	A61F 5/0109 602/26
5,971,946 A	10/1999	Quinn	D740,169 S *	10/2015	Ogura .....	D11/221
D417,959 S *	12/1999	Albaugh, III .....	D747,780 S *	1/2016	Swan .....	D22/110
6,010,474 A	1/2000	Wycoki	9,265,644 B2	2/2016	Einarsson et al.	
6,021,780 A	2/2000	Darby	D752,480 S *	3/2016	Chan .....	D11/218
6,022,617 A	2/2000	Calkins	9,358,146 B2	6/2016	Thorsteinsdottir et al.	
6,024,712 A	2/2000	Iglesias et al.	D813,089 S *	3/2018	Frost .....	D11/218
6,063,048 A	5/2000	Bodenschatz et al.	10,182,935 B2 *	1/2019	Sigurdsson .....	A61F 5/0109
6,110,138 A	8/2000	Shirley	D849,253 S *	5/2019	Siddiqui .....	D24/190
6,111,138 A	8/2000	Van Wijck et al.	D854,173 S *	7/2019	Violeau .....	D24/190
6,142,965 A	11/2000	Mathewson	2001/0020143 A1	9/2001	Stark et al.	
6,152,893 A	11/2000	Pigg et al.	2001/0056251 A1	12/2001	Peters	
6,159,583 A	12/2000	Calkins	2002/0032397 A1	3/2002	Coligado	
6,250,651 B1	6/2001	Reuss et al.	2002/0077574 A1	6/2002	Gildersleeve et al.	
6,254,554 B1	7/2001	Turtzo	2002/0082542 A1	6/2002	Hall	
6,267,741 B1	7/2001	Lerman	2002/0095750 A1	7/2002	Hammerslag	
RE37,338 E	8/2001	McVicker	2002/0107464 A1	8/2002	Castillo	
6,287,268 B1	9/2001	Gilmour	2002/0132086 A1	9/2002	Su-Tuan	
6,289,558 B1	9/2001	Hammerslag	2003/0032907 A1	2/2003	Prahl	
6,360,404 B1	3/2002	Mudge et al.	2003/0069531 A1	4/2003	Hall	
6,368,295 B1	4/2002	Lerman	2003/0204156 A1	10/2003	Nelson et al.	
6,402,713 B1	6/2002	Doyle	2004/0002674 A1	1/2004	Sterling	
6,405,731 B1	6/2002	Ching	2004/0054311 A1	2/2004	Sterling	
6,413,232 B1	7/2002	Townsend et al.	2004/0058102 A1	3/2004	Baychar	
6,416,074 B1	7/2002	Maravetz et al.	2004/0137178 A1	7/2004	Janusson et al.	
6,461,318 B2	10/2002	Freeman et al.	2004/0137192 A1	7/2004	McVicker	
6,485,776 B2	11/2002	Janusson et al.	2004/0153016 A1	8/2004	Salmon et al.	
6,520,926 B2	2/2003	Hall	2004/0176715 A1	9/2004	Nelson	
6,540,703 B1	4/2003	Lerman	2004/0199095 A1	10/2004	Frangi	
6,540,709 B1	4/2003	Smits	2004/0225245 A1	11/2004	Nelson	
D477,409 S	7/2003	Mills et al.	2004/0267179 A1	12/2004	Lerman	
6,592,538 B1	7/2003	Hotchkiss et al.	2005/0020951 A1	1/2005	Gaylord et al.	
6,592,539 B1	7/2003	Einarsson et al.	2005/0038367 A1	2/2005	McCormick et al.	
6,596,371 B1	7/2003	Billarant et al.	2005/0081339 A1	4/2005	Sakabayashi	
6,598,250 B1	7/2003	Pekar	2005/0159691 A1	7/2005	Turrini et al.	
6,543,158 B2	8/2003	Dieckhaus	2005/0160627 A1	7/2005	Dalgaard et al.	
6,656,142 B1	12/2003	Lee	2006/0015980 A1	1/2006	Nordt, III et al.	
6,666,894 B2	12/2003	Perkins et al.	2006/0020237 A1	1/2006	Nordt, III et al.	
6,689,080 B2	2/2004	Castillo	2006/0026732 A1	2/2006	Nordt, III et al.	
6,726,641 B2	4/2004	Chiang et al.	2006/0026733 A1	2/2006	Nordt, III et al.	
6,735,819 B2	5/2004	Iverson et al.	2006/0026736 A1	2/2006	Nordt, III et al.	
6,740,054 B2	5/2004	Stearns	2006/0030802 A1	2/2006	Nordt, III et al.	
6,769,155 B2	8/2004	Hess et al.	2006/0030803 A1	2/2006	Nordt, III et al.	
6,773,411 B1	8/2004	Alvarez	2006/0030804 A1	2/2006	Nordt, III et al.	
6,861,371 B2	3/2005	Kamikawa et al.	2006/0030804 A1	2/2006	Nordt, III et al.	
6,861,379 B1	3/2005	Blaszcykiewicz	2006/0030805 A1	2/2006	Nordt, III et al.	
6,898,804 B2	5/2005	Sandler	2006/0030806 A1	2/2006	Nordt, III et al.	
6,898,826 B2	5/2005	Draper et al.	2006/0070164 A1	4/2006	Nordt, III et al.	
6,936,020 B2	8/2005	Davis	2006/0070165 A1	4/2006	Nordt, III et al.	
D519,637 S	4/2006	Nordt et al.	2006/0084899 A1	4/2006	Verkade et al.	
D519,638 S	4/2006	Nordt et al.	2006/0090806 A1	5/2006	Friedline et al.	
7,025,738 B2	4/2006	Hall	2006/0094999 A1	5/2006	Cropper	
D520,141 S	5/2006	Nordt et al.	2006/0116619 A1	6/2006	Weinstein et al.	
D521,644 S	5/2006	Nordt et al.	2006/0135900 A1	6/2006	Ingimundarson et al.	
7,037,287 B2	5/2006	Cormier et al.	2006/0135902 A1	6/2006	Ingimundarson et al.	
D527,825 S *	9/2006	Ingimundarson .....	2006/0135903 A1	6/2006	Ingimundarson et al.	
7,150,721 B2	12/2006	Houser	2006/0155229 A1	7/2006	Ceriani et al.	
7,161,056 B2	1/2007	Gudnason et al.	2006/0156517 A1	7/2006	Hammerslag et al.	
7,169,720 B2	1/2007	Etchells et al.	2006/0191110 A1	8/2006	Howell et al.	
7,198,610 B2	4/2007	Ingimundarson et al.	2007/0083136 A1	4/2007	Einarsson	
7,303,539 B2	12/2007	Binder et al.	2007/0106191 A1	5/2007	Mueller et al.	
7,367,958 B2	5/2008	McBean et al.	2007/0130665 A1	6/2007	Wang	
7,448,115 B2	11/2008	Howell et al.	2007/0167892 A1	7/2007	Gramza et al.	
7,749,183 B2	7/2010	Ingimundarson et al.	2007/0167895 A1	7/2007	Gramaza et al.	
7,762,973 B2	7/2010	Einarsson et al.	2007/0185425 A1	8/2007	Einarsson et al.	
7,806,842 B2	10/2010	Stevenson et al.	2007/0225824 A1	9/2007	Einarsson	
7,874,996 B2	1/2011	Weinstein et al.	2008/0034459 A1	2/2008	Nordt, III et al.	
7,905,851 B1	3/2011	Bledsoe	2008/0066272 A1	3/2008	Hammerslag et al.	
7,937,973 B2	5/2011	Sorensen et al.	2008/0139985 A1 *	6/2008	Gilmour .....	A61F 5/0123 602/26
8,043,244 B2	10/2011	Einarsson et al.	2008/0195014 A1	8/2008	Ingimundarson et al.	
8,328,747 B2	12/2012	Matsunaga	2008/0229556 A1	9/2008	Hammer	
D707,589 S *	6/2014	Takani .....	2009/0099562 A1	4/2009	Ingimundarson et al.	
			2009/0126413 A1	5/2009	Sorensen et al.	
			2009/0259154 A1	10/2009	Nace	
			2010/0068464 A1	3/2010	Meyer	
			2010/0125231 A1	5/2010	Knecht	
D712,785 S *	9/2014	Ng .....	2010/0125231 A1	5/2010	Knecht	
D720,254 S *	12/2014	Hsiang .....	2011/0057466 A1	3/2011	Sachee et al.	
			2011/0275970 A1	11/2011	Paulos et al.	

(56)

**References Cited**

## U.S. PATENT DOCUMENTS

2012/0010547	A1	1/2012	Hinds
2012/0046585	A1	2/2012	Lee et al.
2012/0090624	A1	4/2012	Chang
2012/0109031	A1	5/2012	Vollbrecht et al.
2012/0220910	A1	8/2012	Gaylord et al.
2013/0245523	A1	9/2013	Romo
2014/0121579	A1	5/2014	Hinds
2014/0194801	A1	7/2014	Ingimundarson et al.
2014/0214016	A1	7/2014	Ingimundarson et al.
2014/0257158	A1	9/2014	Lee et al.
2015/0290014	A1	10/2015	Anglada et al.

## FOREIGN PATENT DOCUMENTS

DE	100 04 561	A1	8/2001
DE	20 2004 012 892	U1	10/2004
EP	0 050 769	A1	5/1985
EP	0 196 204	A2	10/1986
EP	0 611 069	A	8/1994
EP	1016351	A1	7/2000
EP	2612626	A2	7/2013
FR	2 399 811	A1	3/1979
FR	2 553 996	A1	5/1985
FR	2 766 359	A1	1/1999
GB	1209413	A	10/1970
GB	2 136 294	A	9/1984
GB	2 455 972	A	7/2009
WO	88/01855	A1	3/1988
WO	94/00082	A1	1/1994
WO	00/49982	A1	8/2000
WO	00/70984	A1	11/2000
WO	2006/015599	A1	2/2006
WO	2006/069221	A2	6/2006
WO	2006/069222	A2	6/2006
WO	2008/115376	A1	9/2008
WO	2009052031	A1	4/2009
WO	2010/117749	A2	10/2010
WO	2011/073803	A2	6/2011

## OTHER PUBLICATIONS

Advertising Brochure: "NUKO Camp", 6 pages, Camp International, Inc. Jackson, MI (1984).

Advertising Brochure: "Lerman Multi-Ligaments Knee Control Orthosis", 2 pages, Zinco Industries, Inc. of Montrose, CA (1985). "Information on Flexible Polyurethane Foam", In Touch, vol. 4, No. 3, Jul. 1994, 5 pages.

Advertisement: "Custom Engineered Fabrics and Products for Advanced High Performance", 1 page, Gehring Textiles (visited Dec. 15, 2005), <http://www.gehringtextiles.com/d3.html>.

Article: "Osteoarthritis of the Knee: An Information Booklet", Arthritis Research Campaign (visited Dec. 14, 2004) [http://www.arc.org.uk/about\\_arth/booklets/6027/6027.htm](http://www.arc.org.uk/about_arth/booklets/6027/6027.htm).

Advertising Brochure: "Freedom to Perform-Fusion", 5 pages, (2005).

Advertising Brochure: "Fusion", 6 pages, Breg, Inc. of Vista, CA (2005).

Advertising Brochure: "Fusion XT", 2 pages, Breg, Inc. of Vista, CA (2005).

Advertising Brochure: "Anderson Knee Stabler", 4 pages, Omni Scientific, Inc. of Lafayette, CA. Feb. 7, 2013.

Advertising Brochure: "OTI Brace", 4 pages, Orthopedic Technology, Inc. of San Leandro, CA. Feb. 7, 2013.

Advertising Brochure: "The Four Axioms of Functional Bracing", 2 pages, Bledsoe by Medical Technology, Inc. (2005).

Advertising Brochure: "The Leader in Knee Motion Management," 8 pages. Donjoy, Carsbad, CA. Feb. 7, 2013.

Advertising Brochure: "The Lenox Hill Lightweight", 1page, Lenox Hill Brace, Inc., New York, NY. Feb. 7, 2013.

Advertising Brochure: "XCL System", 2 pages, Innovation Sports of Foothill Ranch, CA. Feb. 7, 2013.

Advertising Brochure: "The 9 Innovations of the Axiom Custom Brace", 1 page, Bledsoe, Medical Technology, Inc. (2005).

Technical Manual: Bellacure: Restore Your Lifestyle, 10 pages, Bellacure, Inc. (2005).

Technical Manual: "Boa Technology", 3 pages, Boa Technology, Inc. of Steamboat Springs, CO, Feb. 7, 2013.

Advertising Brochure: "GII Unloader Select", 2 page, Ossur HF of Reykjavik, Iceland (visited Mar. 8, 2005), <http://www.ossur.com/pring.asp?pageID=1729>.

Advertisement: "McDavid Knee Guard and 155 Ligament Augmentation System", 3 pages, Advanced Brace of Irving TX (visited Mar. 8, 2005), <http://www.supports4u.com/mcdavid/kneeguard.htm>.

Advertisement: "Triax", 1 page, Lanxess AG (visited Mar. 8, 2005), <http://www.techcenter.lanxess.com/sty/emea/en/products/description/57/index/jsp?print=true&pid=57>.

Reference: "Anatomical Planes", 1 page, (visited Mar. 26, 2005), <http://www.spineuniverse.com/displayarticle.phpo/article1023.html>.

Advertisement: "M2 Inc. Parts Catalog", 3 pages, M2 Inc. of Winooski, VT (visited Mar. 29, 2005), <http://www.m2intl.com/medical.MedClsr.htm>.

Advertisement: "Axiom", 3 pages, Bledsoe by Medical Technology, Inc. (visited Jun. 15, 2005), <http://www.bledsoebrace.com/custom/axiom.asp>.

Advertisement: "Bellacure: The Treatment Device", 6 pages, Bellacure, Inc. (visited Jan. 5, 2006), <http://www.bellacure.com/products/index/html>.

Advertisement: "Lerman 3-Point Knee Orthosis", 2 pages, Becker Orthopedic of Troy, MI (visited Feb. 26, 2006), <http://www.beckerortho.com/knee/3-point/htm>.

Article: "Thermoplastic Elastomers TPE, TPR, TPV", 6 pages (visited Mar. 14, 2007), [http://www.bpf.co.uk.bpfindustry/plastics\\_thermplasrubber\\_TBR.cfm](http://www.bpf.co.uk.bpfindustry/plastics_thermplasrubber_TBR.cfm).

"Velstick semi-rigid Fastener Furnished in Separate, Mating Components", Velcro Fasteners, Spaenaur, Sep. 2, 2009, 1 Page.

\* cited by examiner

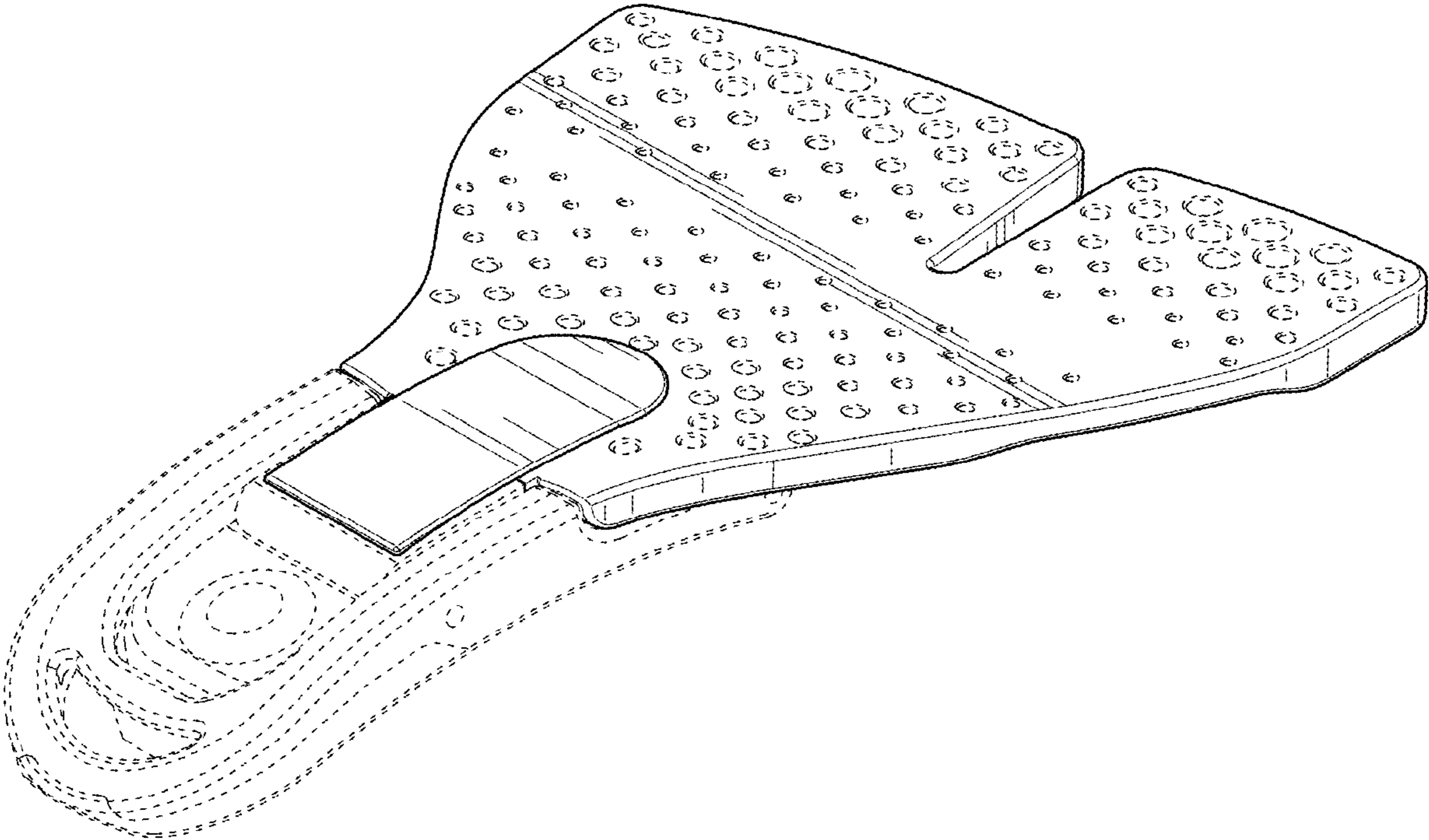


FIG. 1

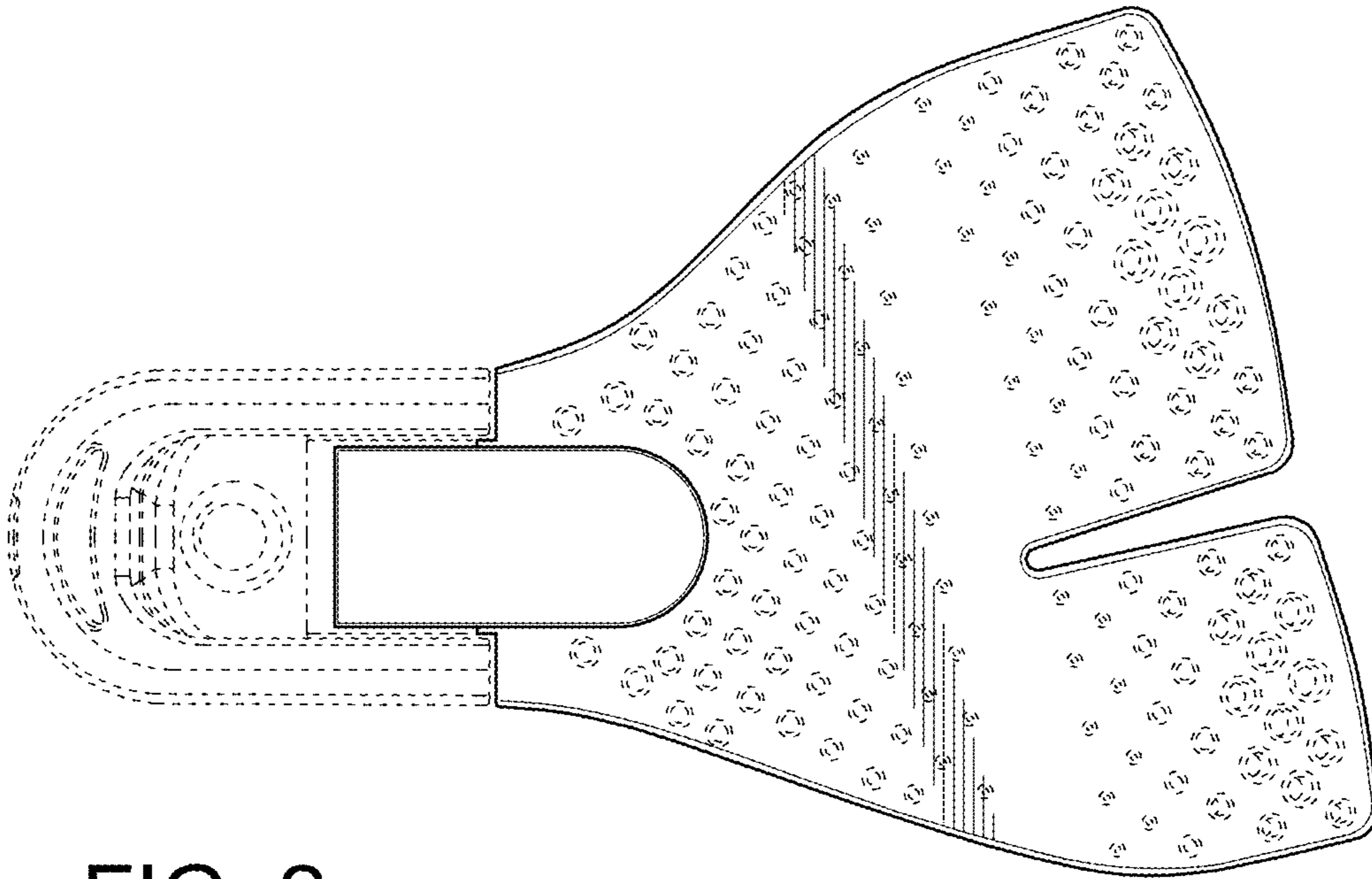


FIG. 2

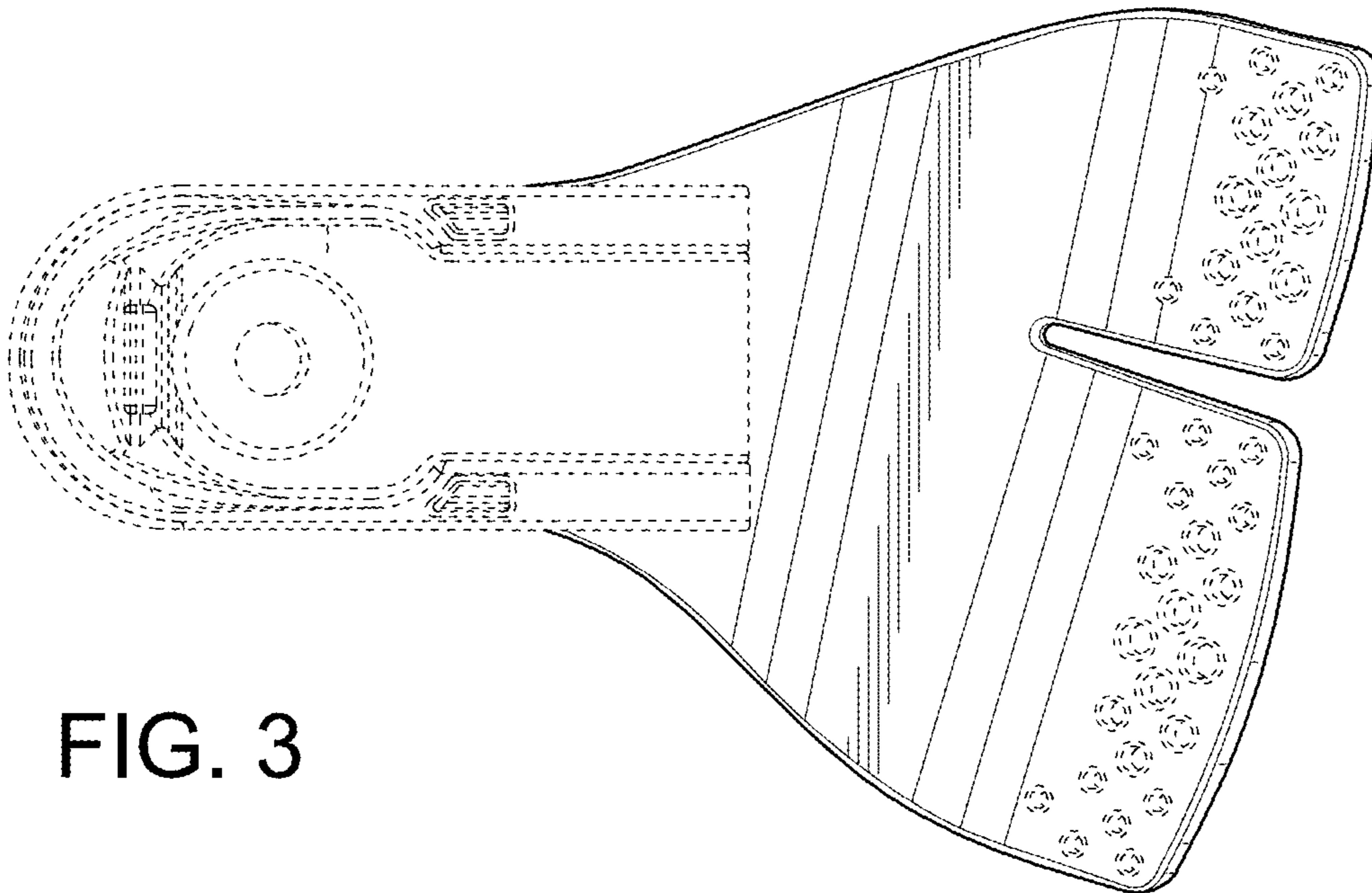


FIG. 3

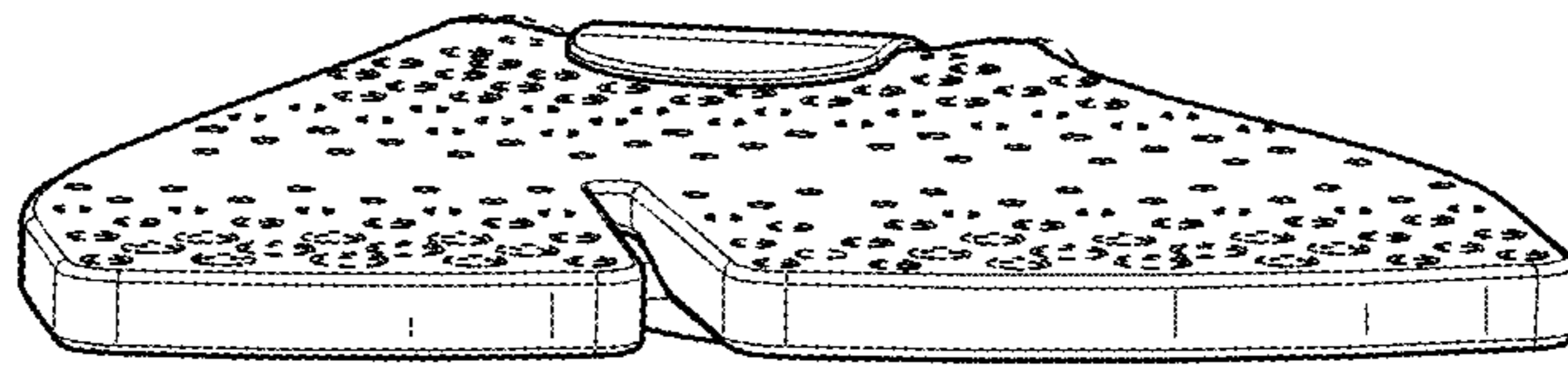


FIG. 4

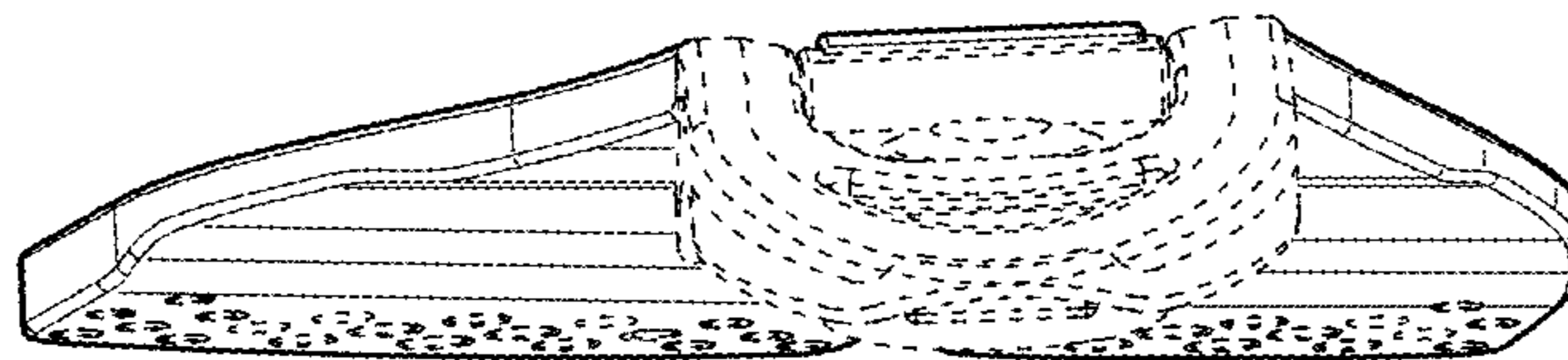


FIG. 5

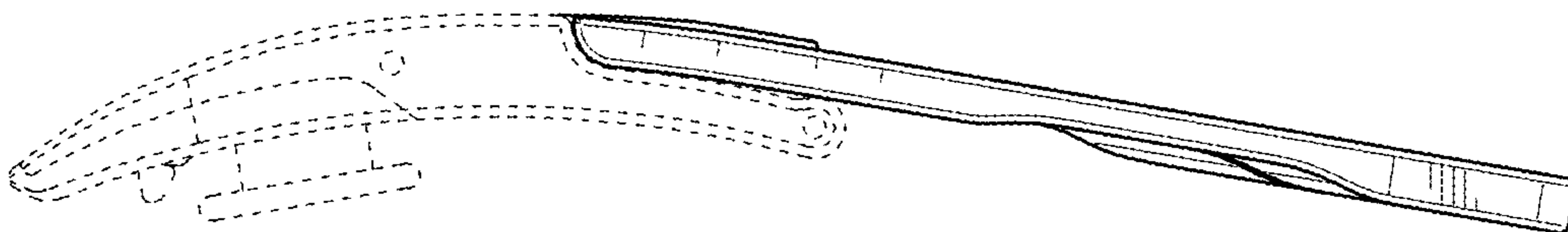


FIG. 6

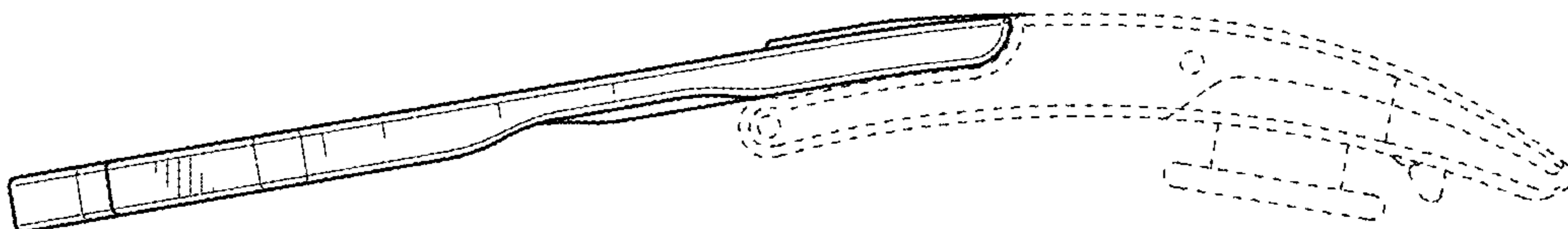


FIG. 7