



US00D888257S

(12) **United States Design Patent**
Larouche

(10) **Patent No.:** **US D888,257 S**
(45) **Date of Patent:** **** Jun. 23, 2020**

(54) **KNEE BRACE**

(71) Applicant: **INDALO STUDIO INC.**, Montreal
(CA)

(72) Inventor: **Daniel Larouche**, Montreal (CA)

(73) Assignee: **INDALO STUDIO INC.** (CA)

(**) Term: **15 Years**

(21) Appl. No.: **29/643,846**

(22) Filed: **Apr. 12, 2018**

(51) **LOC (12) Cl.** **24-04**

(52) **U.S. Cl.**
USPC **D24/190**

(58) **Field of Classification Search**
USPC D24/188–194, 199, 200, 206, 212–215;
D29/100, 111, 113, 116.3, 120.1, 120.2,
D29/121.1, 121.2
CPC A61F 5/00; A61F 5/0123; A61F 5/0125;
A61F 5/0102
See application file for complete search history.

(56) **References Cited**

U.S. PATENT DOCUMENTS

D349,768 S *	8/1994	Rabe	D24/190
7,311,687 B2 *	12/2007	Hoffmeier	A61F 5/0123 602/16
D623,760 S *	9/2010	Chiang	D24/190
8,376,974 B2 *	2/2013	Nace	A61F 5/0123 601/35
8,882,689 B2	11/2014	Castillo et al.		
D728,807 S *	5/2015	Hansen	D24/191
D750,790 S *	3/2016	Ortega	D24/190
D779,076 S *	2/2017	Chang	D24/190
10,085,869 B2 *	10/2018	Nace	A61F 5/012
10,226,373 B1 *	3/2019	McCoy	A61F 5/0125

D846,130 S *	4/2019	Watabe	D24/190
D849,253 S *	5/2019	Siddiqui	D24/190
D854,173 S *	7/2019	Violeau	D24/190
2014/0221889 A1	8/2014	Burns et al.		
2014/0358054 A1	12/2014	Capra et al.		
2015/0005685 A1*	1/2015	Cheflapalli	A61F 5/0125 602/16

(Continued)

Primary Examiner — Darcey E Gottschalk

(74) *Attorney, Agent, or Firm* — Lavery, De Billy, LLP;
Gonzalo Lavin

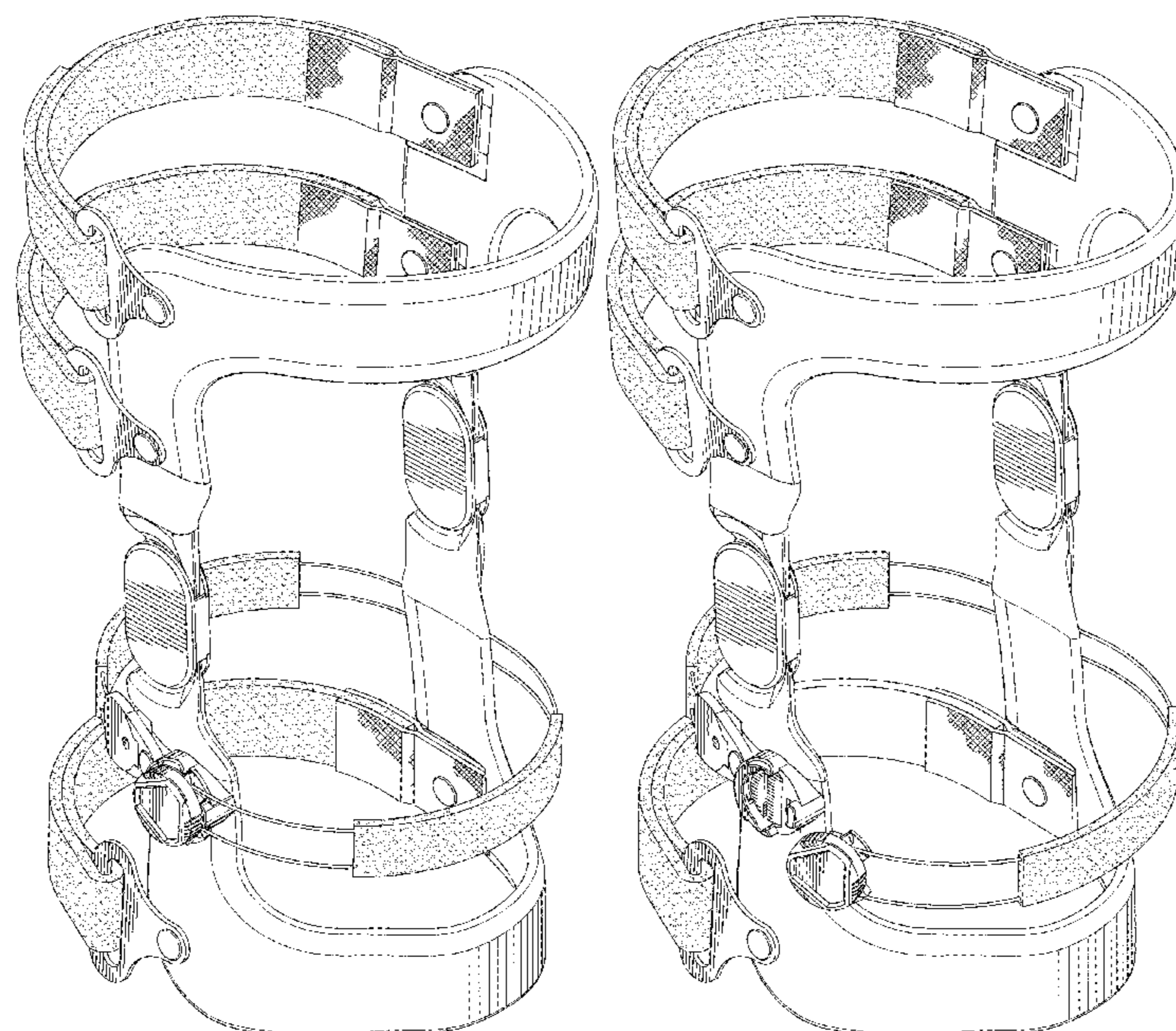
(57) **CLAIM**

The ornamental design for a knee brace, as shown and described.

DESCRIPTION

FIG. 1 is a perspective front view of a knee brace showing my new design;
 FIG. 2 is a left view thereof;
 FIG. 3 is a right view thereof;
 FIG. 4 is a top view thereof;
 FIG. 5 is a bottom view thereof;
 FIG. 6 is a front plan view thereof;
 FIG. 7 is a rear plan view thereof;
 FIG. 8 is a perspective front view of the knee brace shown in FIG. 1 with a bottom strap being detached therefrom;
 FIG. 9 is a left view of the knee brace shown in FIG. 8;
 FIG. 10 is a right view of the knee brace shown in FIG. 8;
 FIG. 11 is a front plan view of the knee brace shown in FIG. 8;
 FIG. 12 is a rear plan view of the knee brace shown in FIG. 8;
 FIG. 13 is a top view of the knee brace shown in FIG. 8; and,
 FIG. 14 is a bottom view of the knee brace shown in FIG. 8.
 The stippling in the drawings indicates a contrast in appearance.

1 Claim, 14 Drawing Sheets



(56)

References Cited

U.S. PATENT DOCUMENTS

2015/0108191 A1* 4/2015 Velarde F41C 33/046
224/576
2016/0302955 A1* 10/2016 Siddiqui A61F 5/0123
2016/0367397 A1 12/2016 Paulos et al.
2017/0105865 A1 4/2017 Gildersleeve et al.

* cited by examiner

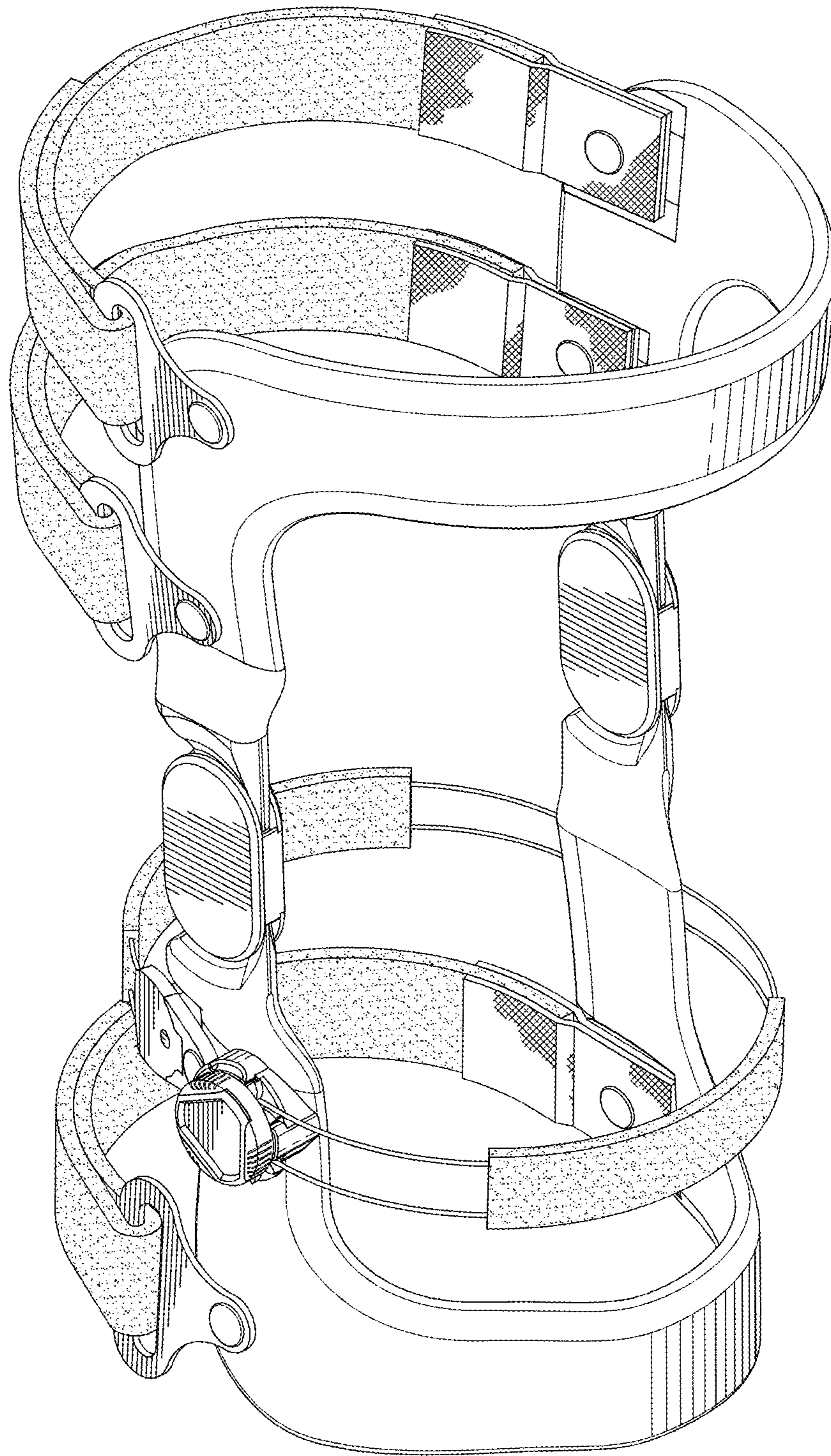


FIG. 1

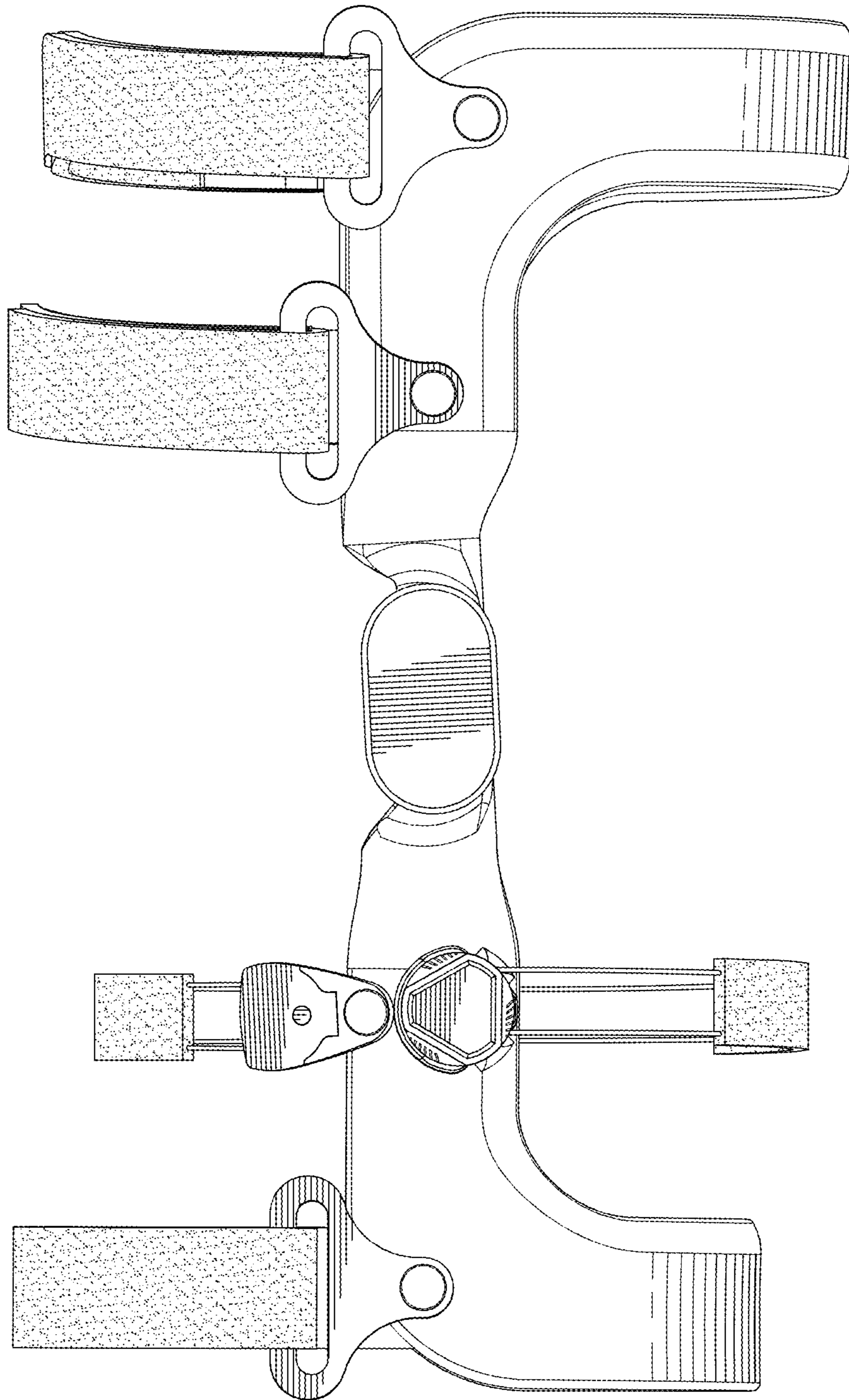


FIG. 2

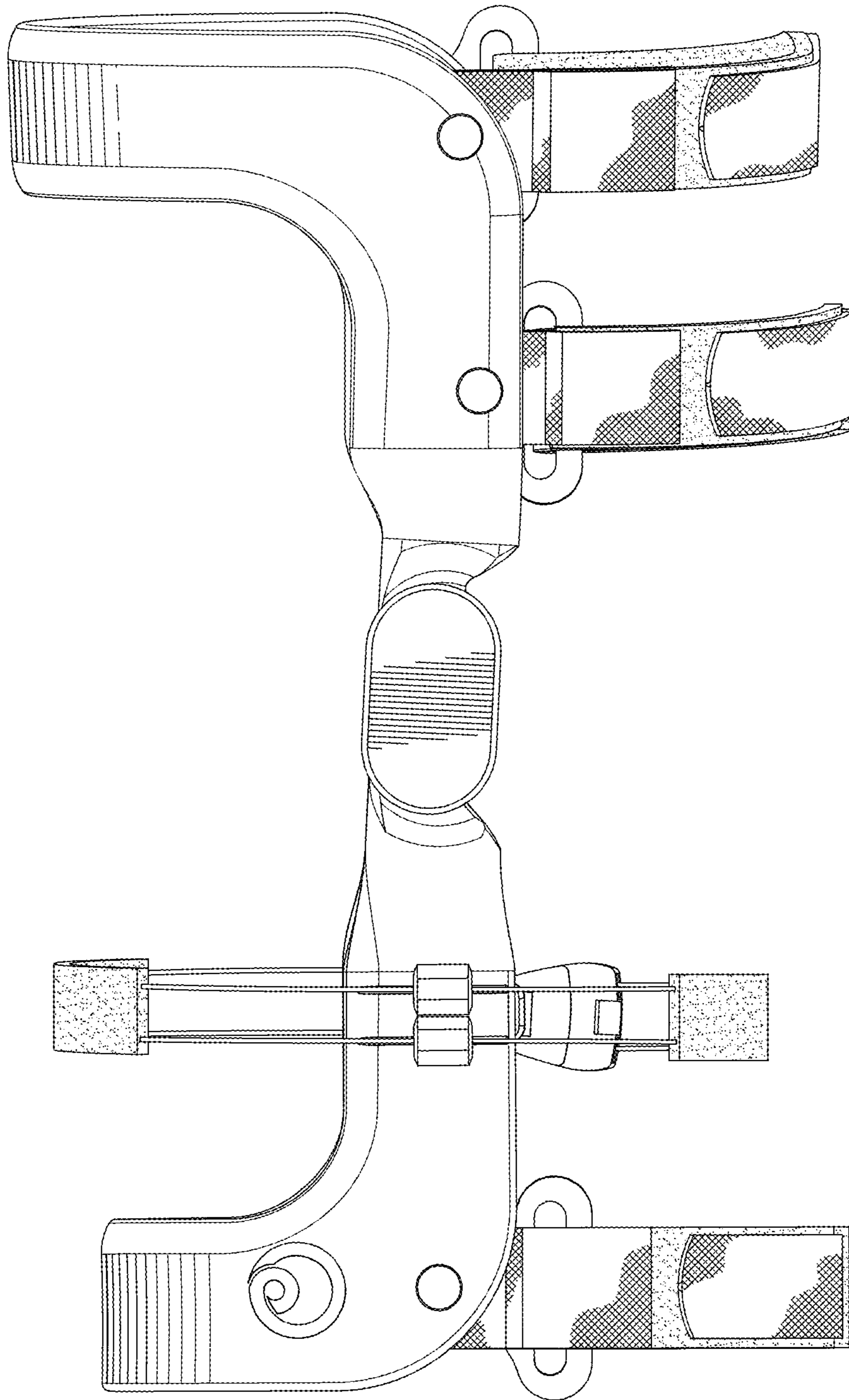


FIG. 3

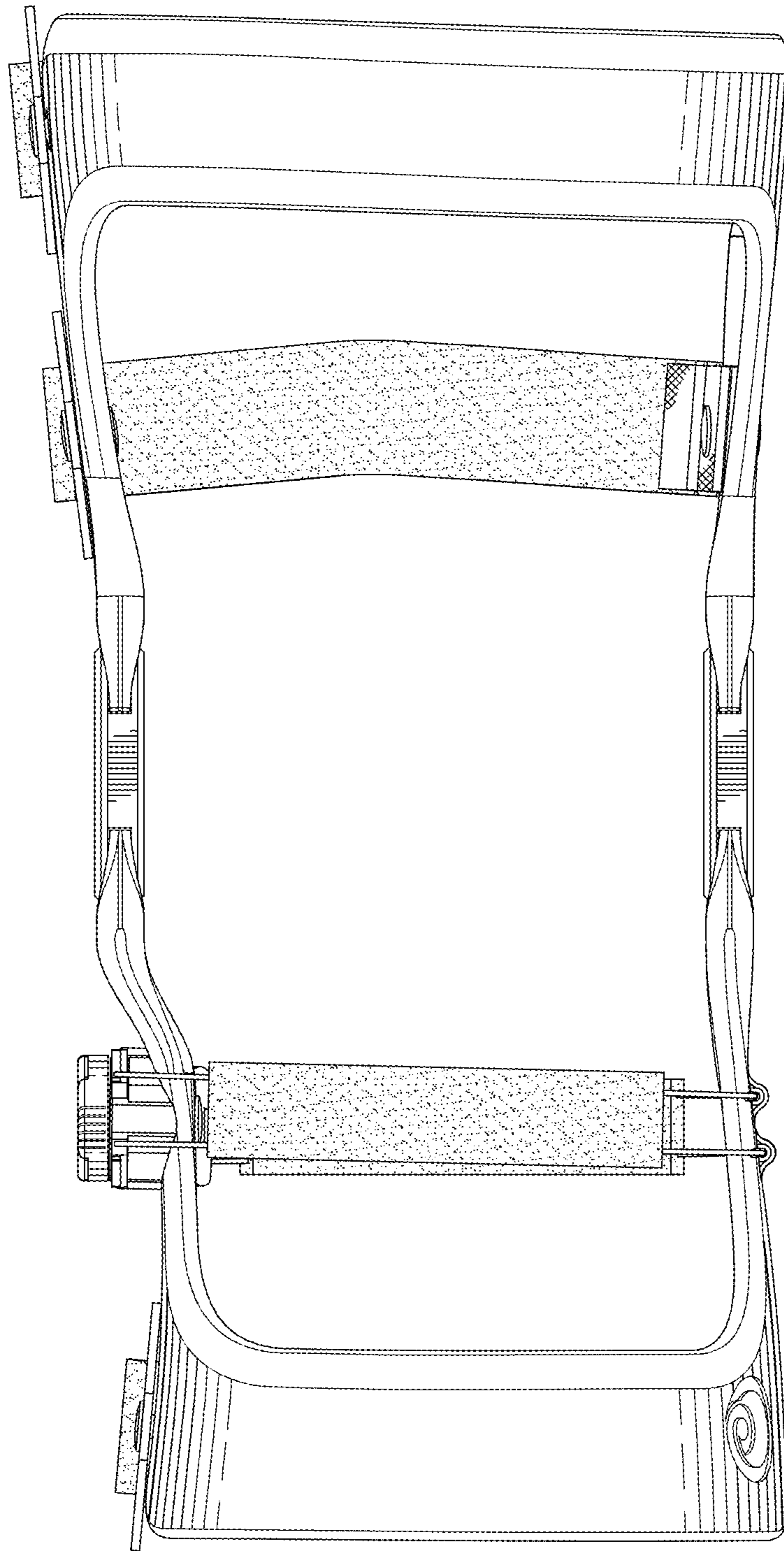


FIG. 4

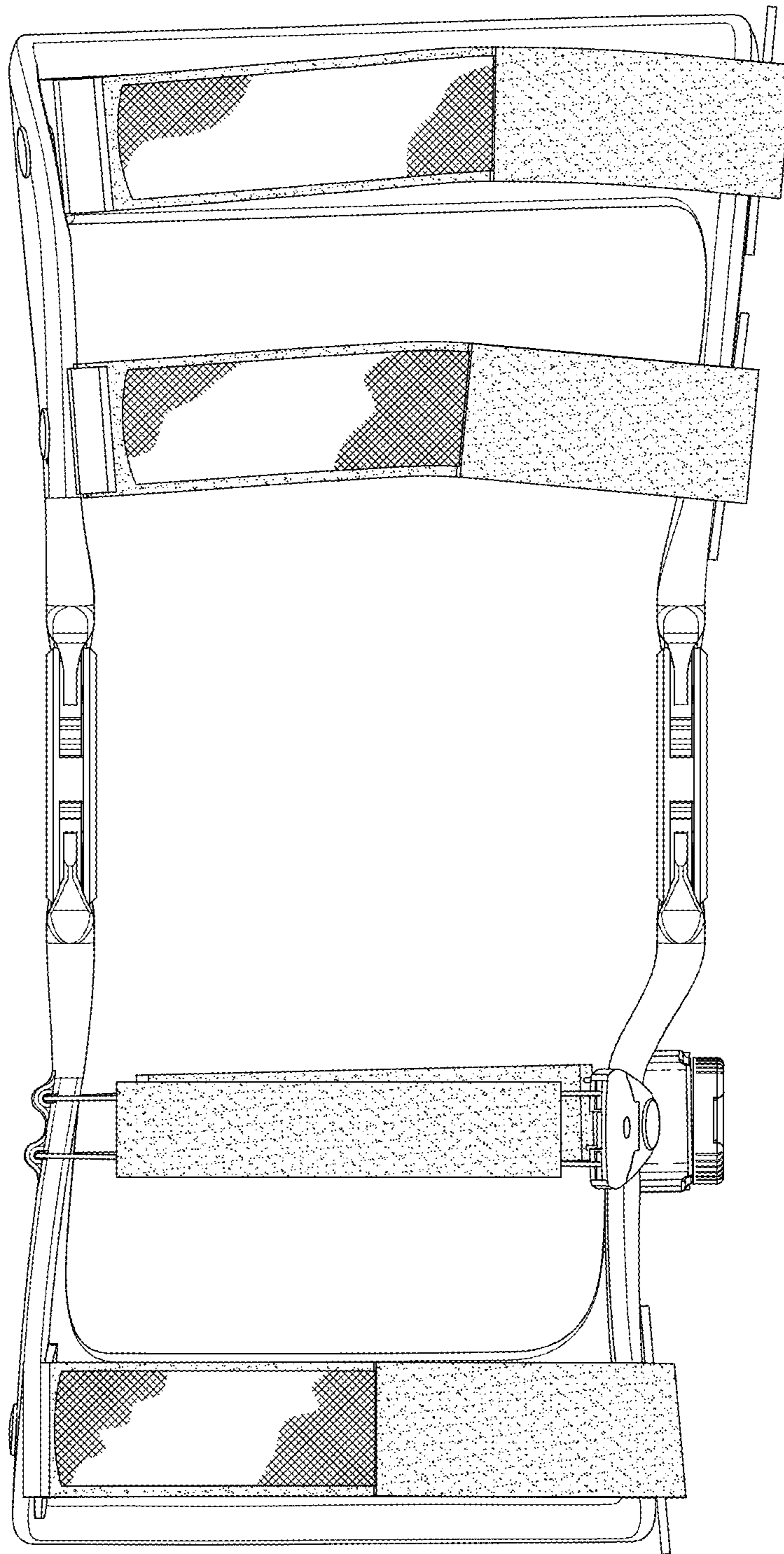


FIG. 5

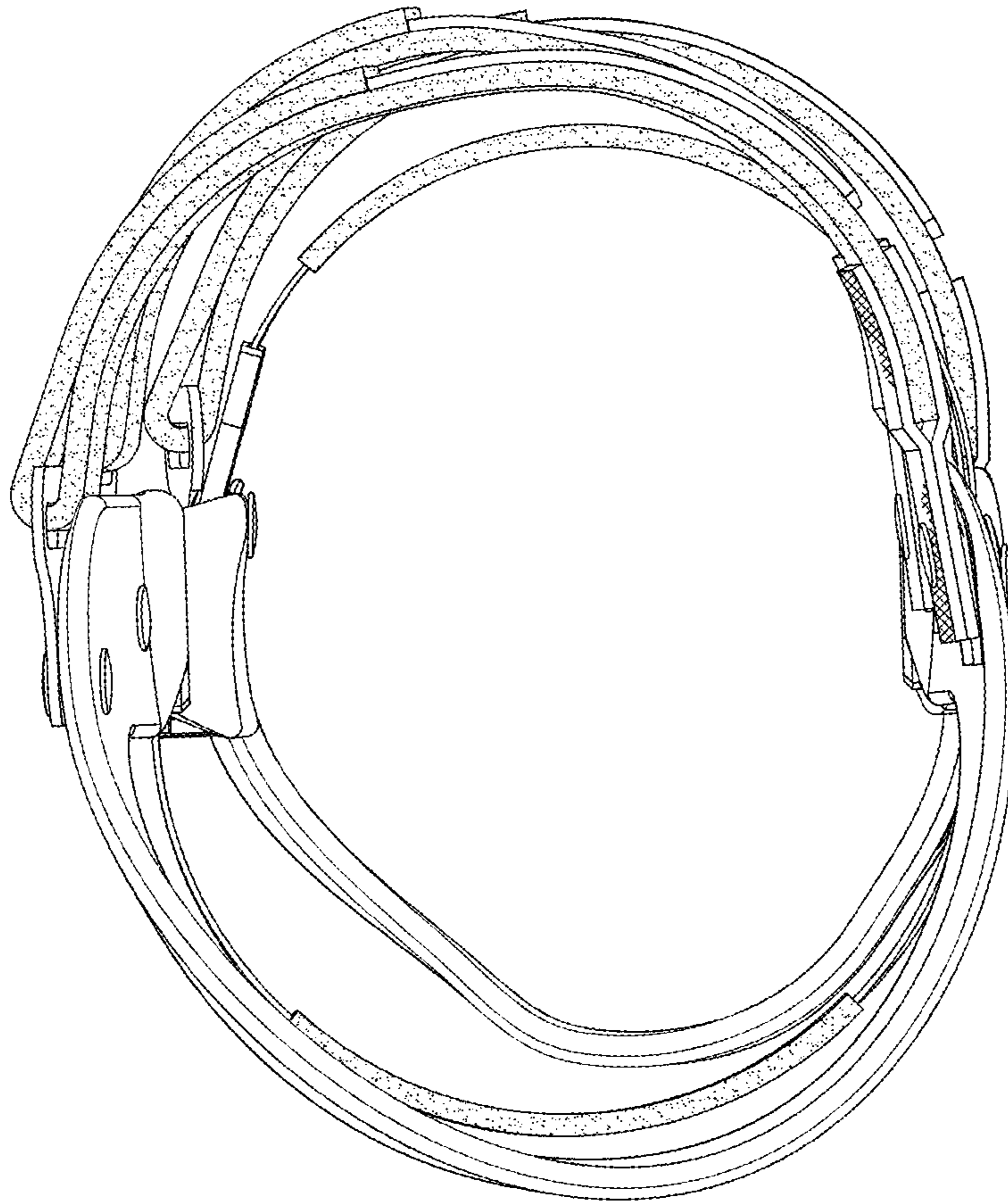


FIG. 6

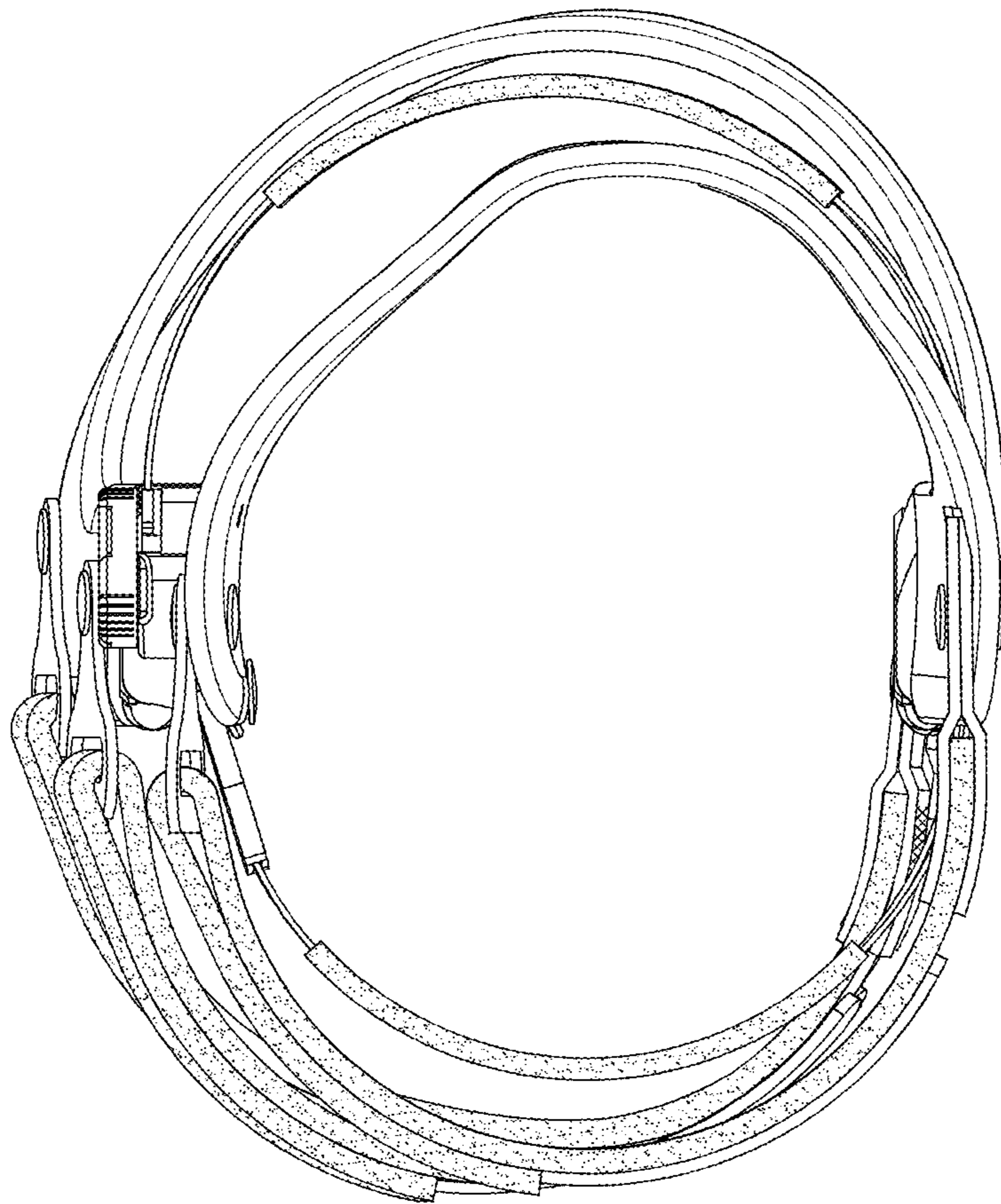


FIG. 7

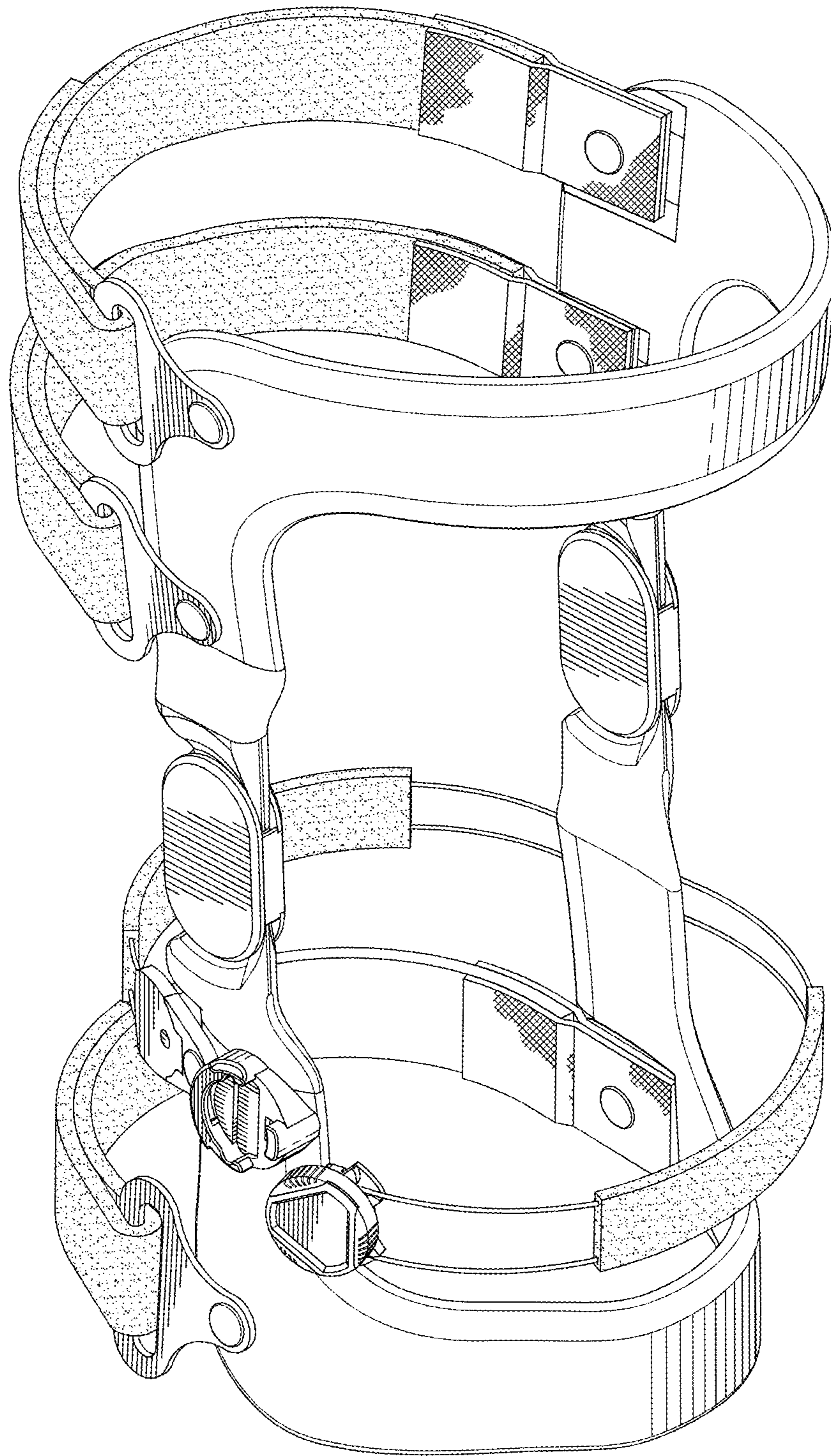


FIG. 8

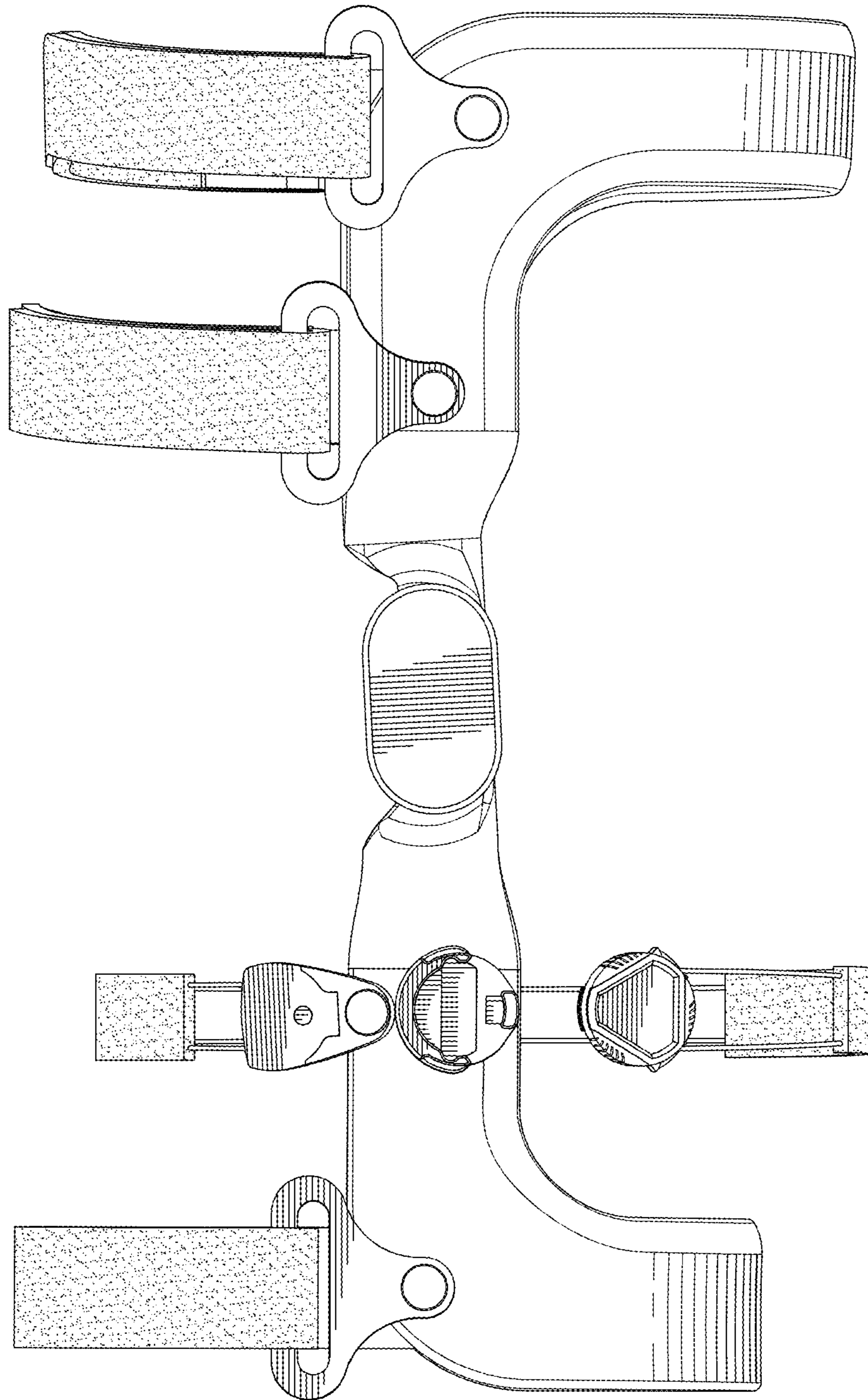


FIG. 9

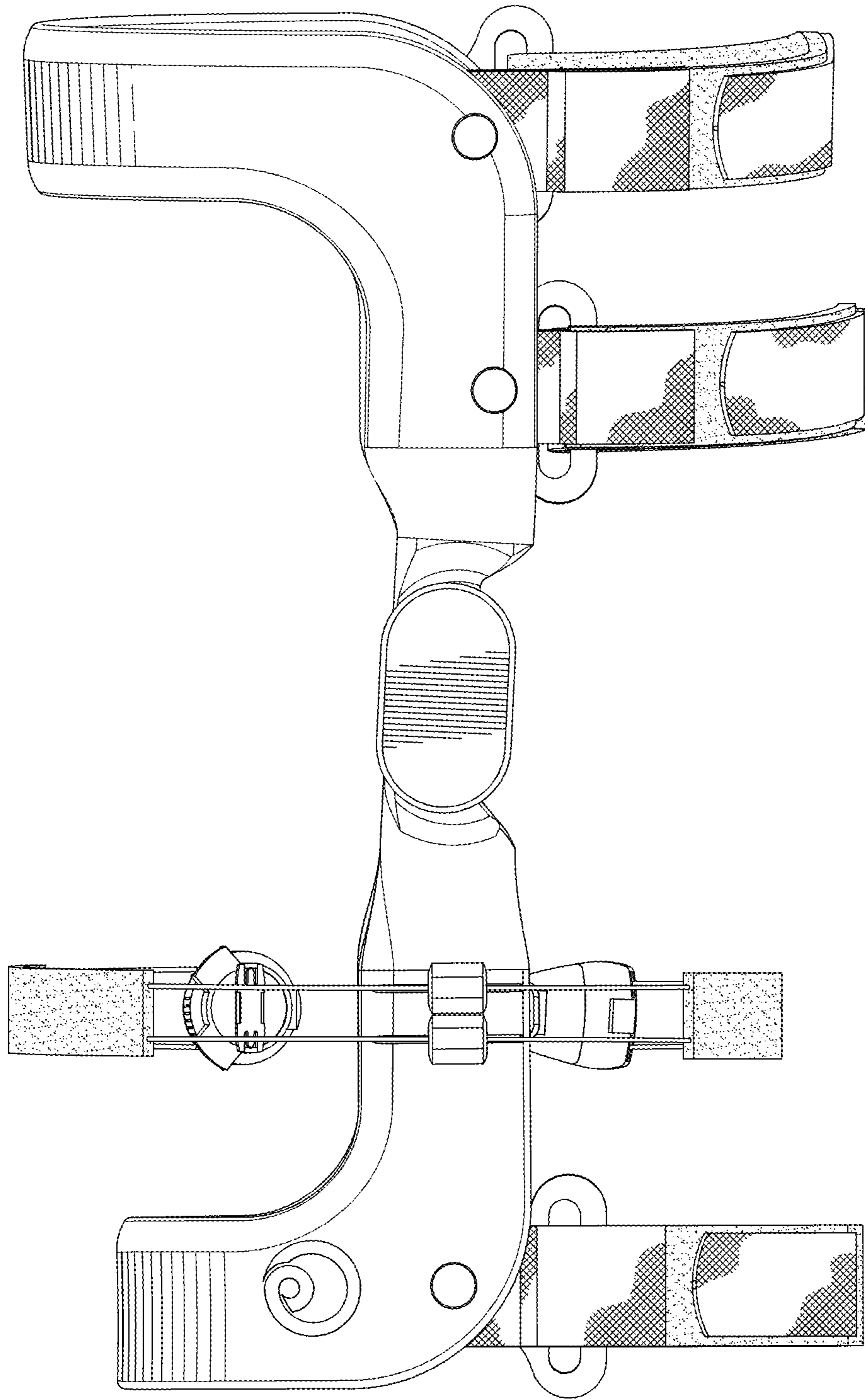


FIG. 10

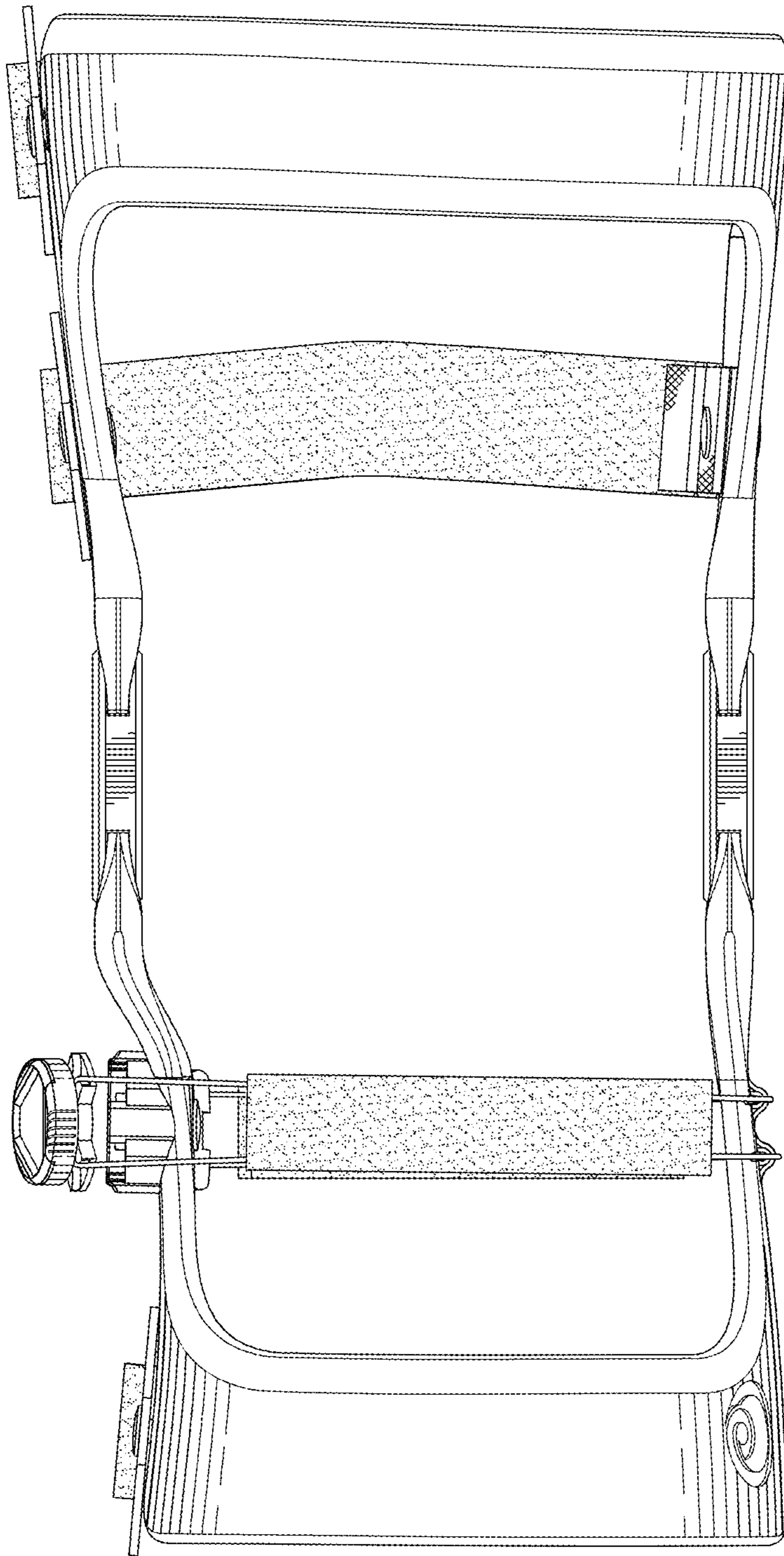


FIG. 11

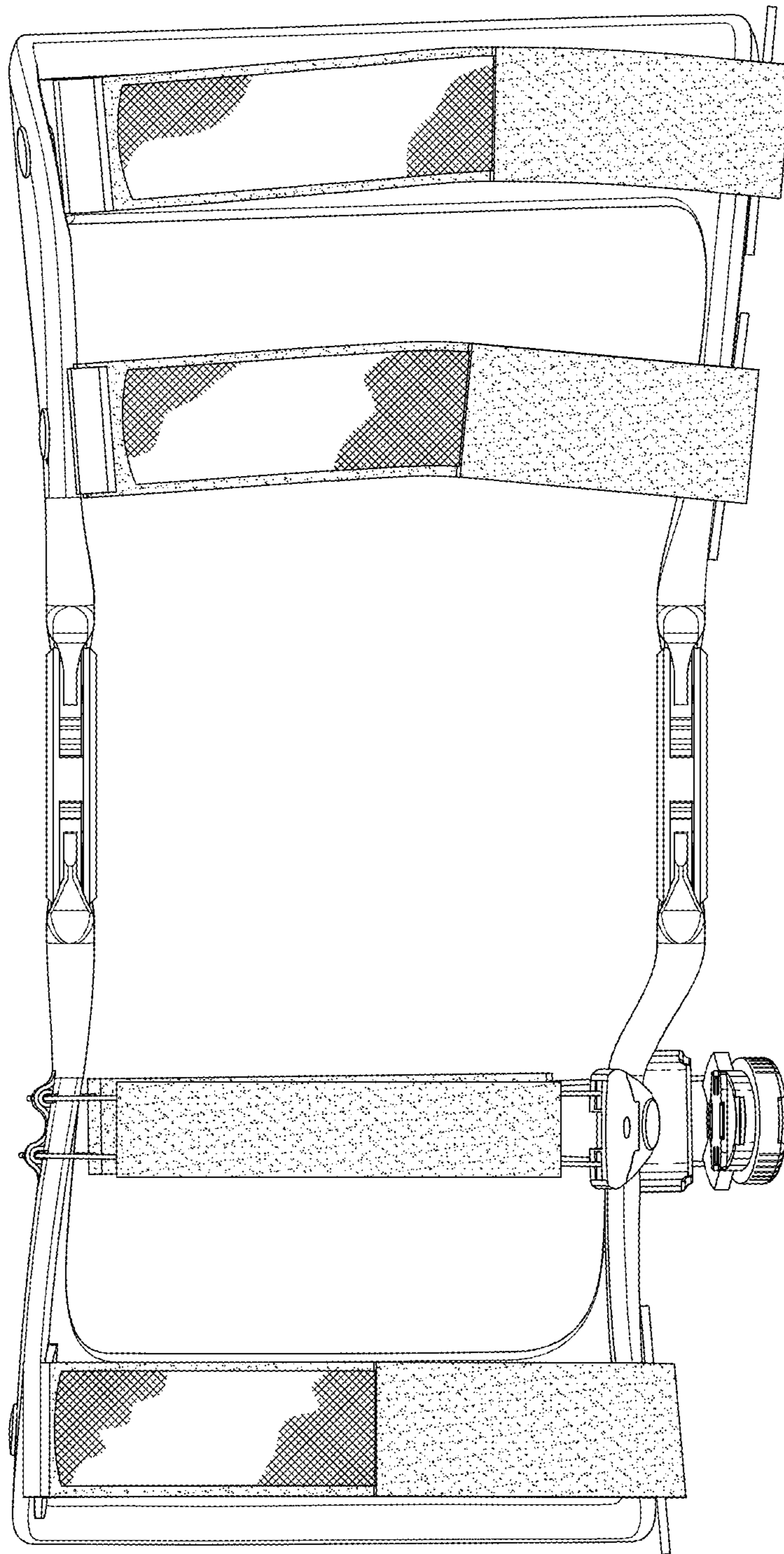


FIG. 12

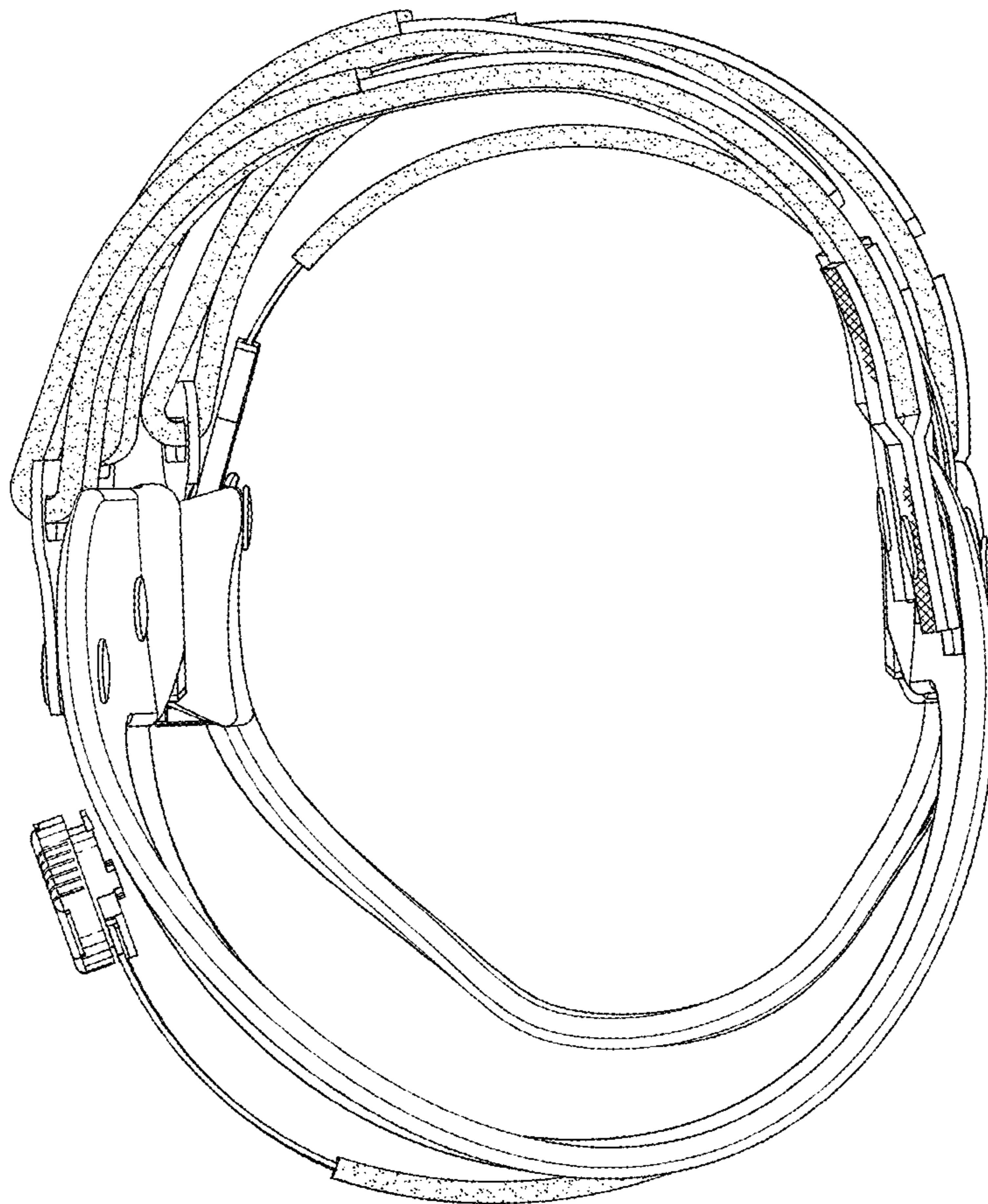


FIG. 13

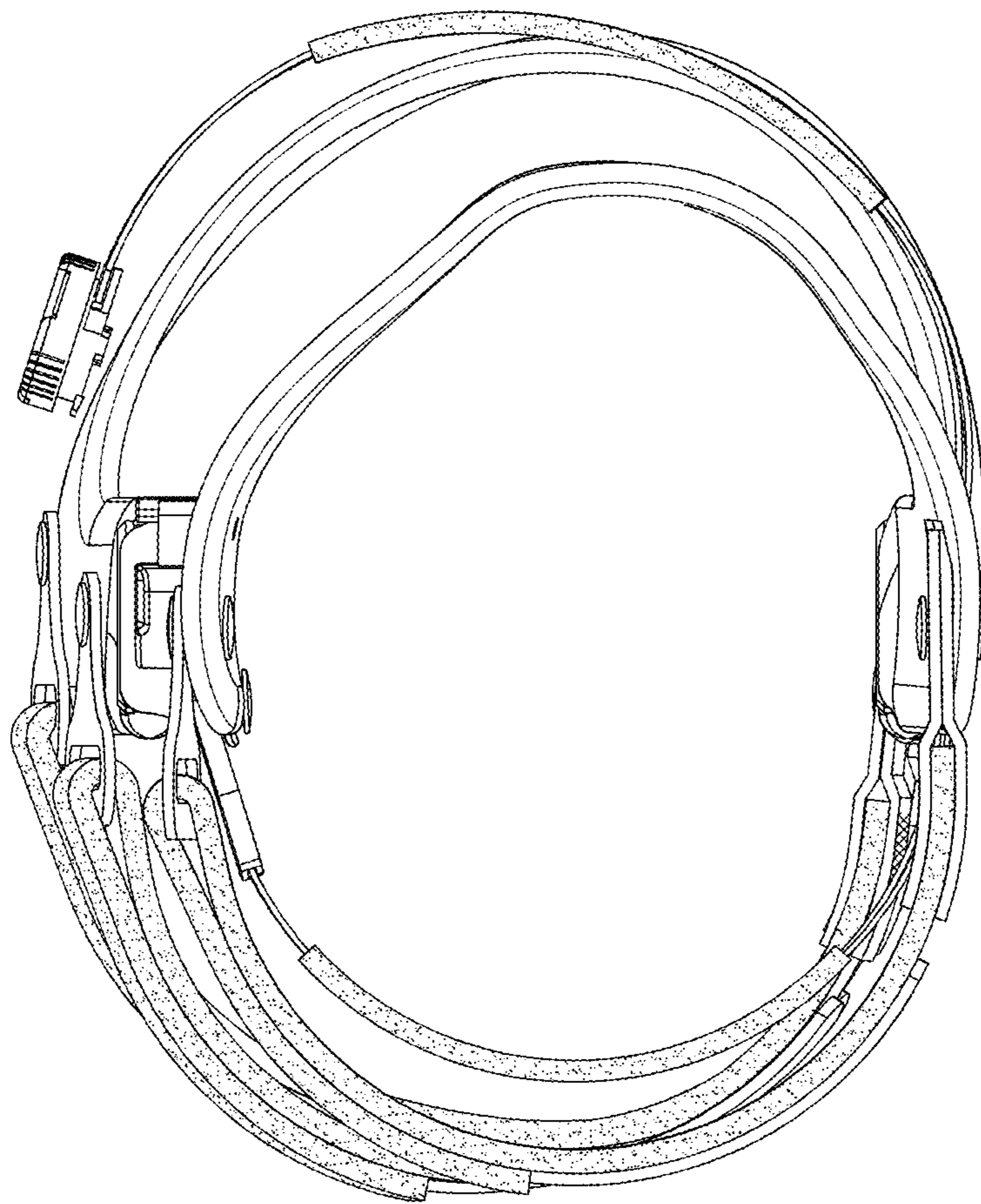


FIG. 14