



US00D888251S

(12) **United States Design Patent**
Schlereth et al.

(10) **Patent No.:** **US D888,251 S**
(45) **Date of Patent:** **** Jun. 23, 2020**

(54) **BASE FOR A MEDICAL CART**
(71) Applicant: **Brainlab AG**, Munich (DE)
(72) Inventors: **Elmar Schlereth**, Munich (DE);
Michael Voss, Munich (DE);
Katharina Krenz, Munich (DE)
(73) Assignee: **BRAINLAB AG**, Munich (DE)
(**) Term: **15 Years**

4,905,944 A * 3/1990 Jost A61M 5/1415
248/125.8
D374,563 S * 10/1996 Simon D6/655
D388,685 S * 1/1998 Schlereth D8/319
D412,748 S 8/1999 Nabarro et al.
D419,674 S * 1/2000 Schattner D24/128
D435,107 S 12/2000 Blair et al.
D446,860 S 8/2001 Meziere et al.
D459,477 S * 6/2002 Stocks D24/164
D503,981 S * 4/2005 Fischer D24/185
D518,267 S * 3/2006 Arceta D24/185
D540,948 S 4/2007 Meziere et al.
7,229,084 B2 * 6/2007 McKellar A61G 5/10
280/47.25
D559,390 S * 1/2008 Diener D24/186
7,809,184 B2 10/2010 Neubauer et al.
D627,063 S * 11/2010 West D24/128
D632,797 S * 2/2011 Ross D24/185
D643,535 S * 8/2011 Ross D24/164
7,995,827 B2 * 8/2011 Wagner A61B 6/0421
382/132
D650,142 S * 12/2011 McRorie D34/14
D657,470 S * 4/2012 Schon D24/186
D664,254 S 7/2012 Yokoyama et al.

(21) Appl. No.: **29/690,641**

(22) Filed: **May 9, 2019**

Related U.S. Application Data

(62) Division of application No. 29/615,789, filed on Aug. 31, 2017, now Pat. No. Des. 857,211.

(30) **Foreign Application Priority Data**

Mar. 3, 2017 (EP) 003782358

(51) **LOC (12) Cl.** **24-02**

(52) **U.S. Cl.**
USPC **D24/185**

(58) **Field of Classification Search**
USPC D24/185, 160, 186, 164, 128, 158, 184,
D24/209; D6/655; D8/319; D34/14;
D23/364
CPC A61B 34/25; A61B 34/20; A61B 6/0421;
A61G 13/105; A61G 12/001; A61G 5/10;
A61M 5/1415; A61M 5/1417
See application file for complete search history.

(56) **References Cited**

U.S. PATENT DOCUMENTS

4,744,536 A * 5/1988 Bancalari A61M 5/1415
248/125.8
4,832,294 A * 5/1989 Eidem A61M 5/1415
248/125.8

(Continued)

Primary Examiner — Rhea Shields

(74) *Attorney, Agent, or Firm* — Middleton Reutlinger

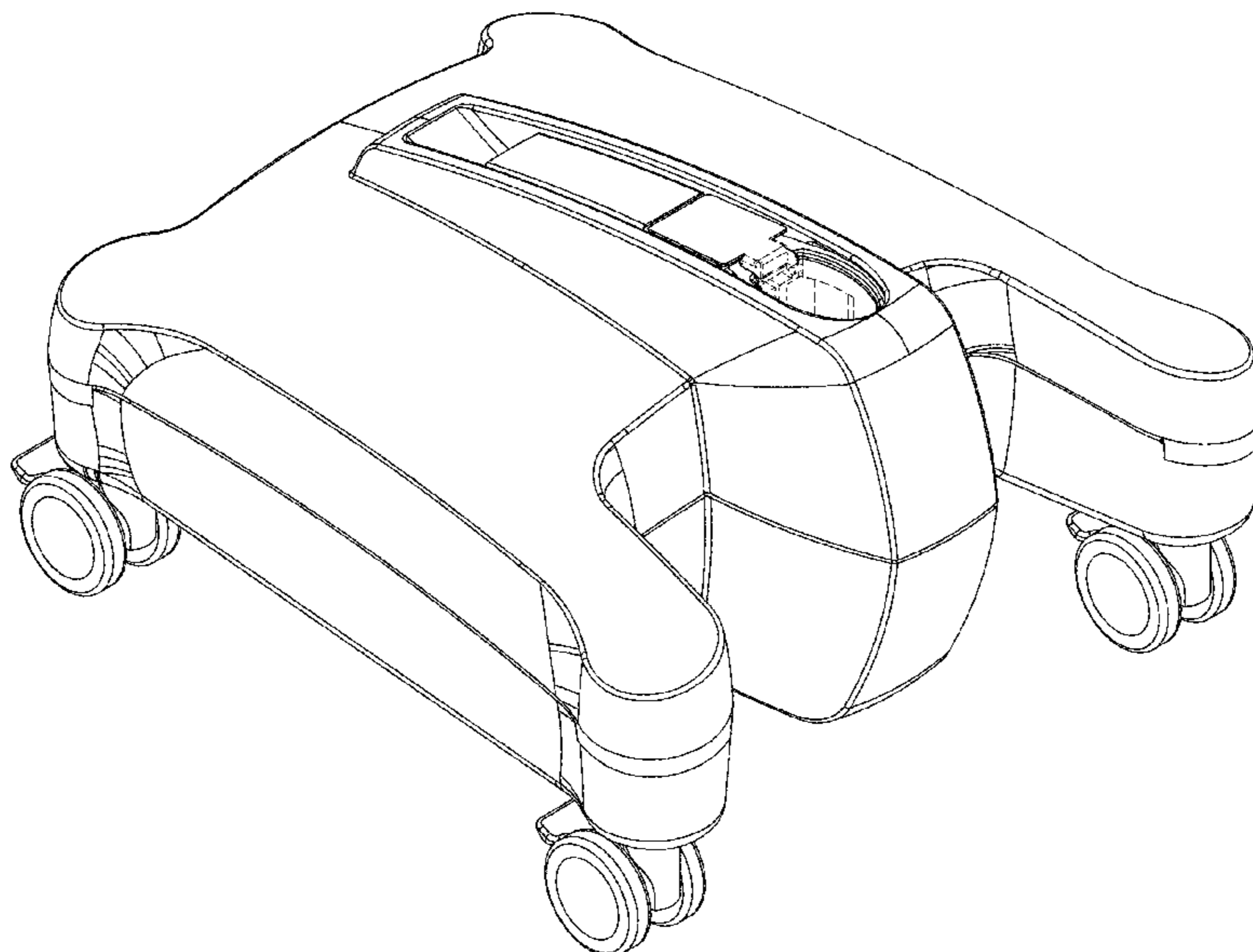
(57) **CLAIM**

The ornamental design for a base for a medical cart, as shown and described.

DESCRIPTION

FIG. 1 is a front perspective view of a base for a medical cart, showing our new design; and, FIG. 2 is a rear perspective view thereof. The broken line disclosure represents unclaimed portions of the base for a medical cart in which the design is embodied.

1 Claim, 2 Drawing Sheets



(56)

References Cited

U.S. PATENT DOCUMENTS

D668,770 S * 10/2012 Tucek D24/209
8,286,977 B2 * 10/2012 Butler A61G 12/001
280/47.34
D684,671 S * 6/2013 Betancourt D23/364
D687,147 S * 7/2013 Yoshida D24/185
D707,360 S 6/2014 Kim et al.
D708,341 S * 7/2014 Ikegame D24/185
D712,540 S * 9/2014 Hansen D24/158
D722,696 S * 2/2015 Blomquist D24/164
D724,736 S * 3/2015 Kim D24/158
D724,738 S 3/2015 Dorris et al.
D733,891 S * 7/2015 Murray D24/185
D752,231 S * 3/2016 Halter D24/185
D753,310 S * 4/2016 Thakar D24/185
D769,448 S * 10/2016 Adams D24/160
D776,279 S * 1/2017 Newman D24/164
D783,837 S * 4/2017 Janzen D24/186
D790,066 S * 6/2017 Lei D24/158
D796,047 S * 8/2017 Janzen D24/186
9,775,684 B2 * 10/2017 Tuma A61B 34/20
D804,039 S * 11/2017 Patmore D24/185
D804,671 S * 12/2017 Yanase D24/160
D805,646 S * 12/2017 Burns D24/185
9,901,503 B2 * 2/2018 Christensen A61G 13/105
D816,223 S * 4/2018 Barak D24/158
D820,978 S * 6/2018 Koehler D24/128
10,060,571 B2 * 8/2018 Koehler A61M 5/1417
D836,781 S * 12/2018 Meurer D24/185
D837,387 S * 1/2019 Vollum D24/185
D857,210 S * 8/2019 Christensen D24/184
D857,211 S * 8/2019 Schlereth D24/185
2015/0297303 A1 10/2015 Heindl et al.

* cited by examiner

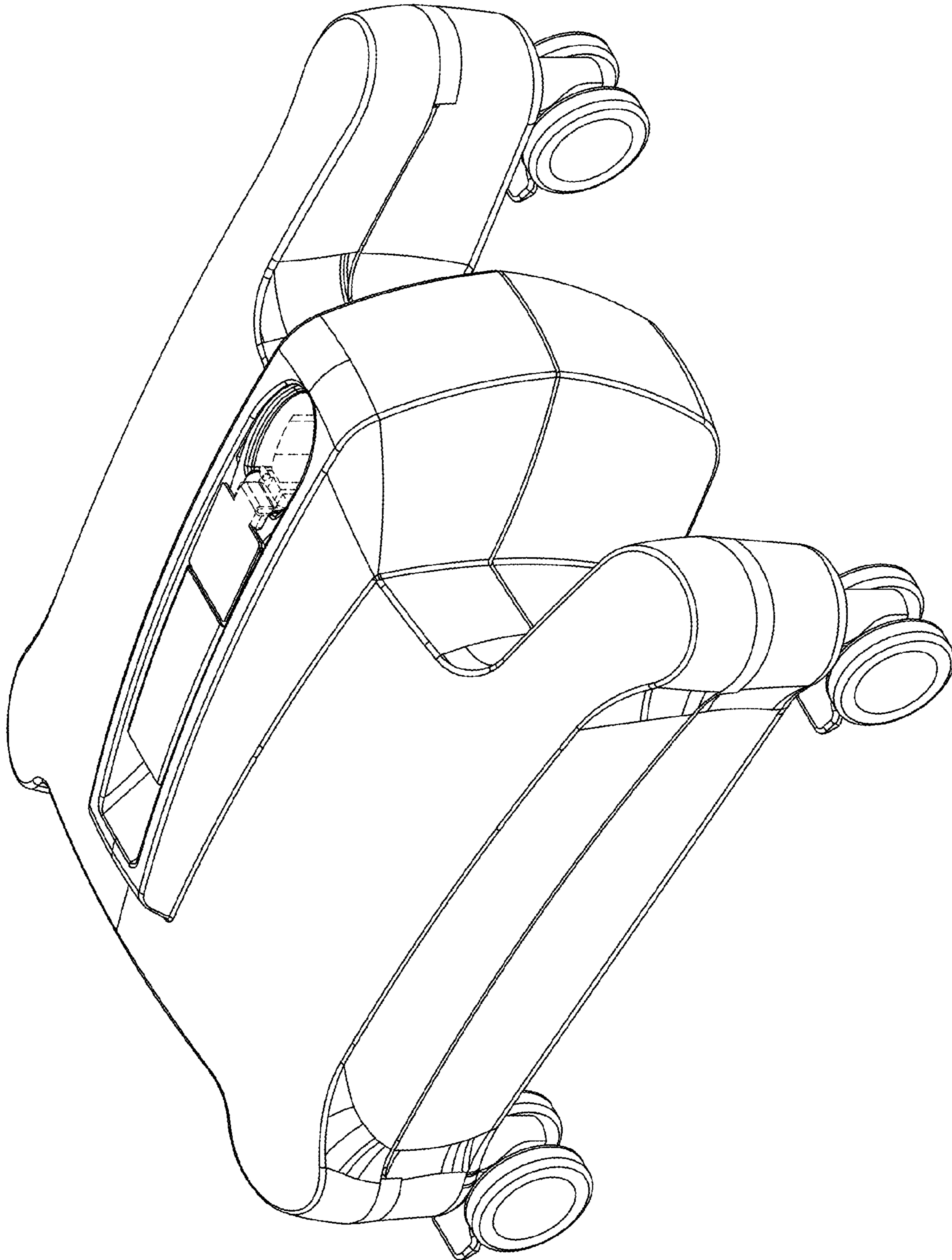


FIG. 1

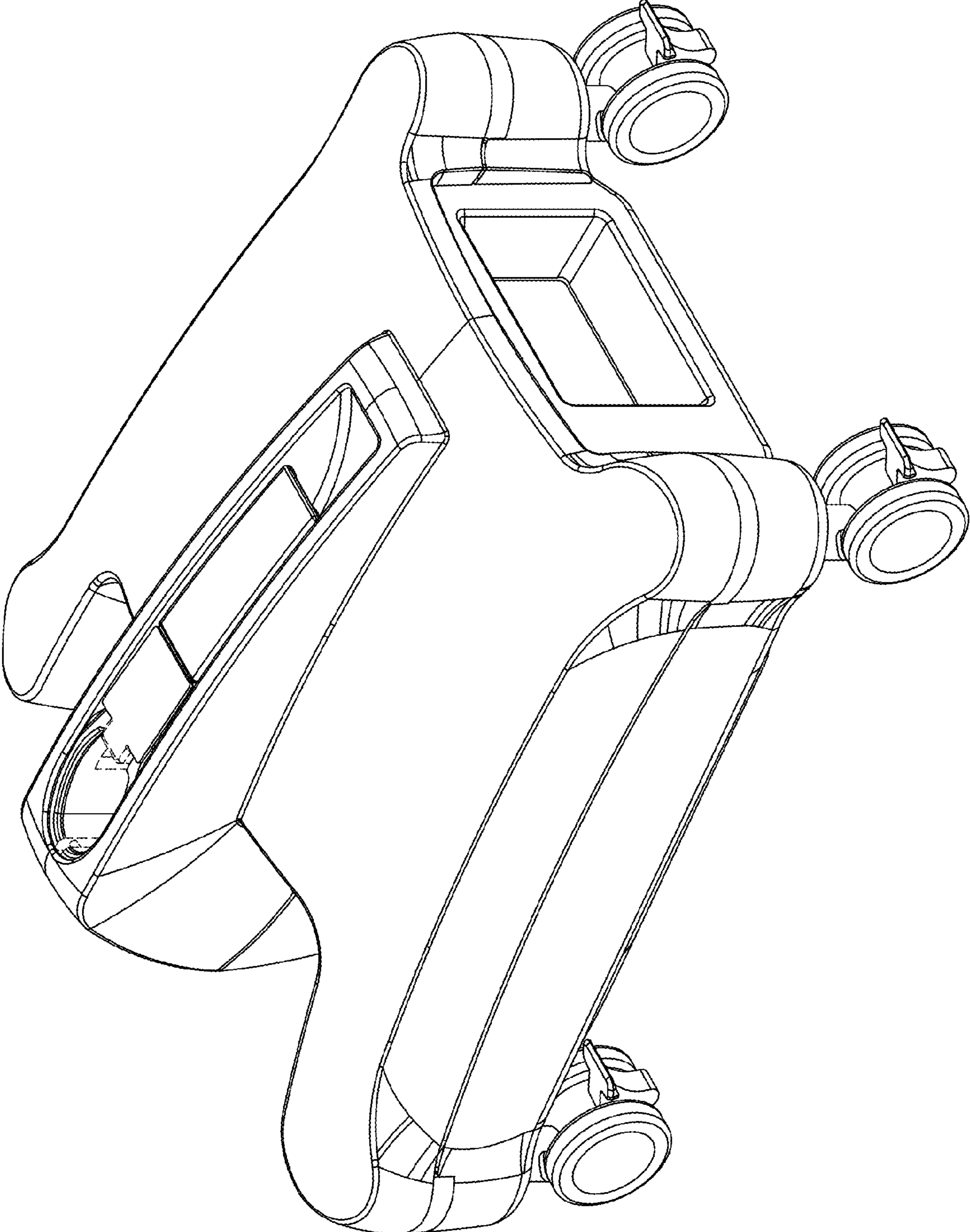


FIG. 2