



US00D888250S

(12) **United States Design Patent**
Liu et al.

(10) **Patent No.:** **US D888,250 S**
(45) **Date of Patent:** **** Jun. 23, 2020**

- (54) **HANDLE FOR DISPLAY**
- (71) Applicant: **General Electric Company**,
Schenectady, NY (US)
- (72) Inventors: **Mingtao Liu**, Beijing (CN); **Samuel Lee Alder**, Stansbury Park, UT (US); **Zhaohui Jin**, Beijing (CN); **Jundong Li**, Beijing (CN)
- (73) Assignee: **GENERAL ELECTRIC COMPANY**,
Schenectady, NY (US)
- (**) Term: **15 Years**
- (21) Appl. No.: **29/700,378**
- (22) Filed: **Aug. 1, 2019**

- 6,771,172 B1 8/2004 Robinson et al.
- D637,769 S 5/2011 Weber
- D662,559 S * 6/2012 Zhang D12/178
- 8,702,055 B2 * 4/2014 Alemozafar F16M 13/00
248/688
- D729,553 S * 5/2015 Trinh D6/681
- D771,052 S * 11/2016 Zheng D14/434
- D773,465 S * 12/2016 Palmer D14/434
- D782,446 S * 3/2017 Thao D14/217
- D785,605 S * 5/2017 Hochman D14/239

(Continued)

Primary Examiner — Susan Bennett Hattan
Assistant Examiner — Omeed Agilee
(74) *Attorney, Agent, or Firm* — McCoy Russell LLP

(57) **CLAIM**

The ornamental design for a handle for a display, as shown and described.

Related U.S. Application Data

- (62) Division of application No. 29/635,707, filed on Feb. 1, 2018, now Pat. No. Des. 861,878.
- (51) **LOC (12) Cl.** **24-02**
- (52) **U.S. Cl.**
USPC **D24/184**
- (58) **Field of Classification Search**
USPC D24/128, 160, 161, 183–185, 188, 190;
D21/679, 694; D8/363, 373, 380;
D14/447, 432, 434, 439
CPC F16M 11/041; F16M 11/14
See application file for complete search history.

DESCRIPTION

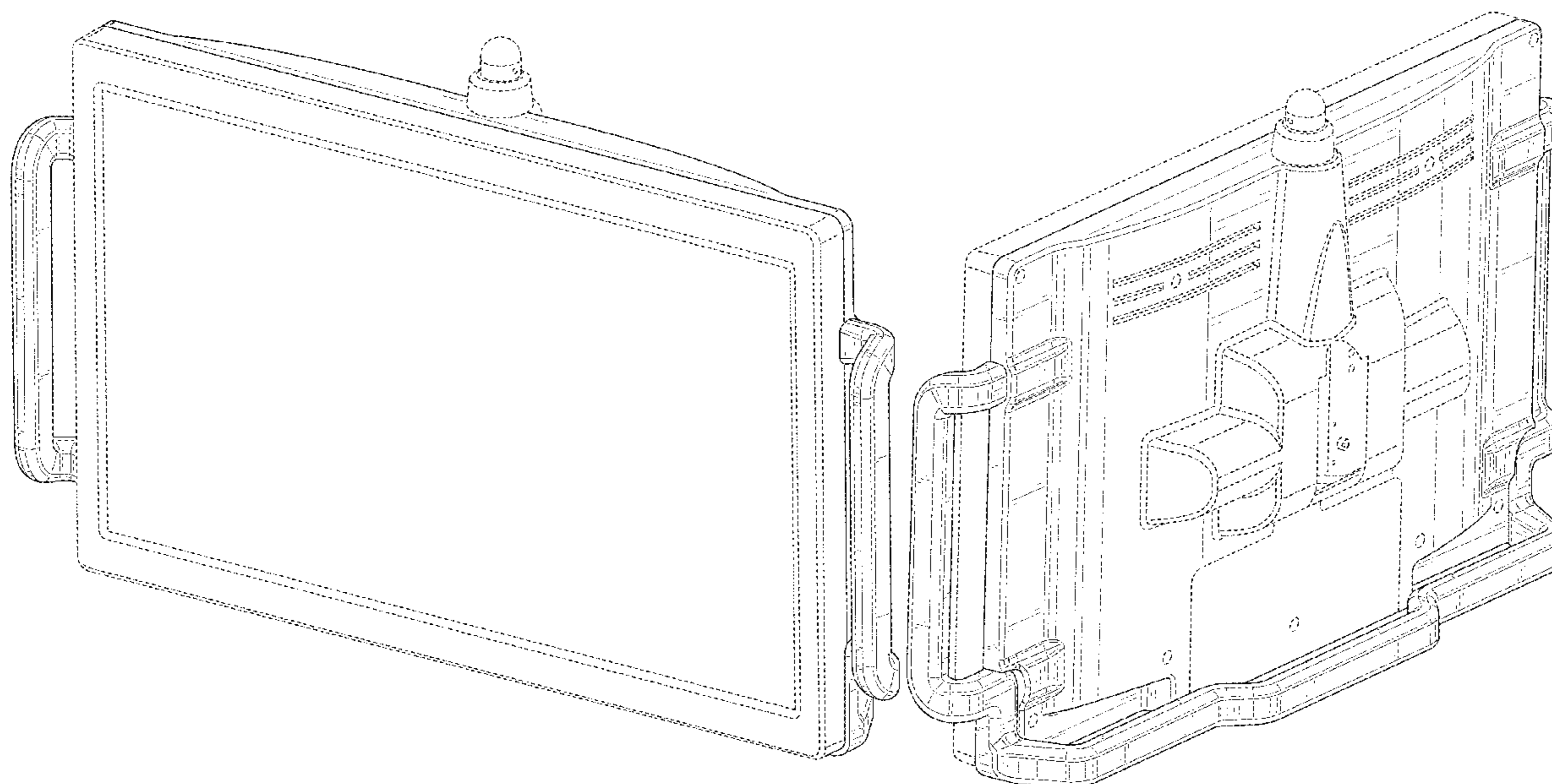
FIG. 1 is a front perspective view of a handle for a display according to an embodiment of the present invention. FIG. 2 is a back perspective view of the handle for a display of FIG. 1. FIG. 3 is a front view of the handle for a display of FIG. 1. FIG. 4 is a back view of the handle for a display of FIG. 1. FIG. 5 is a left side view of the handle for a display of FIG. 1. FIG. 6 is a right side view of the handle for a display of FIG. 1. FIG. 7 is a top view of the handle for a display of FIG. 1; and, FIG. 8 is a bottom view of the handle for a display of FIG. 1. The broken lines in FIGS. 1-8 are included for the purpose of illustrating environmental structure and form no part of the claimed design.

(56) **References Cited**

U.S. PATENT DOCUMENTS

- D262,814 S * 1/1982 Lambert, Jr. D21/694
- D264,489 S * 5/1982 Holland 482/139
- D368,525 S * 4/1996 Karten D24/184
- D428,491 S 7/2000 Beale et al.
- 6,377,223 B1 4/2002 Clapp et al.

1 Claim, 8 Drawing Sheets



(56)

References Cited

U.S. PATENT DOCUMENTS

D788,911 S	*	6/2017	Deutsch	A61M 1/0086	
					D24/128
D799,309 S	*	10/2017	Darby	D8/373	
D804,487 S	*	12/2017	Theis	D14/447	
D827,652 S	*	9/2018	Jacques	D14/447	
D843,506 S	*	3/2019	Campanaro	D21/679	

* cited by examiner

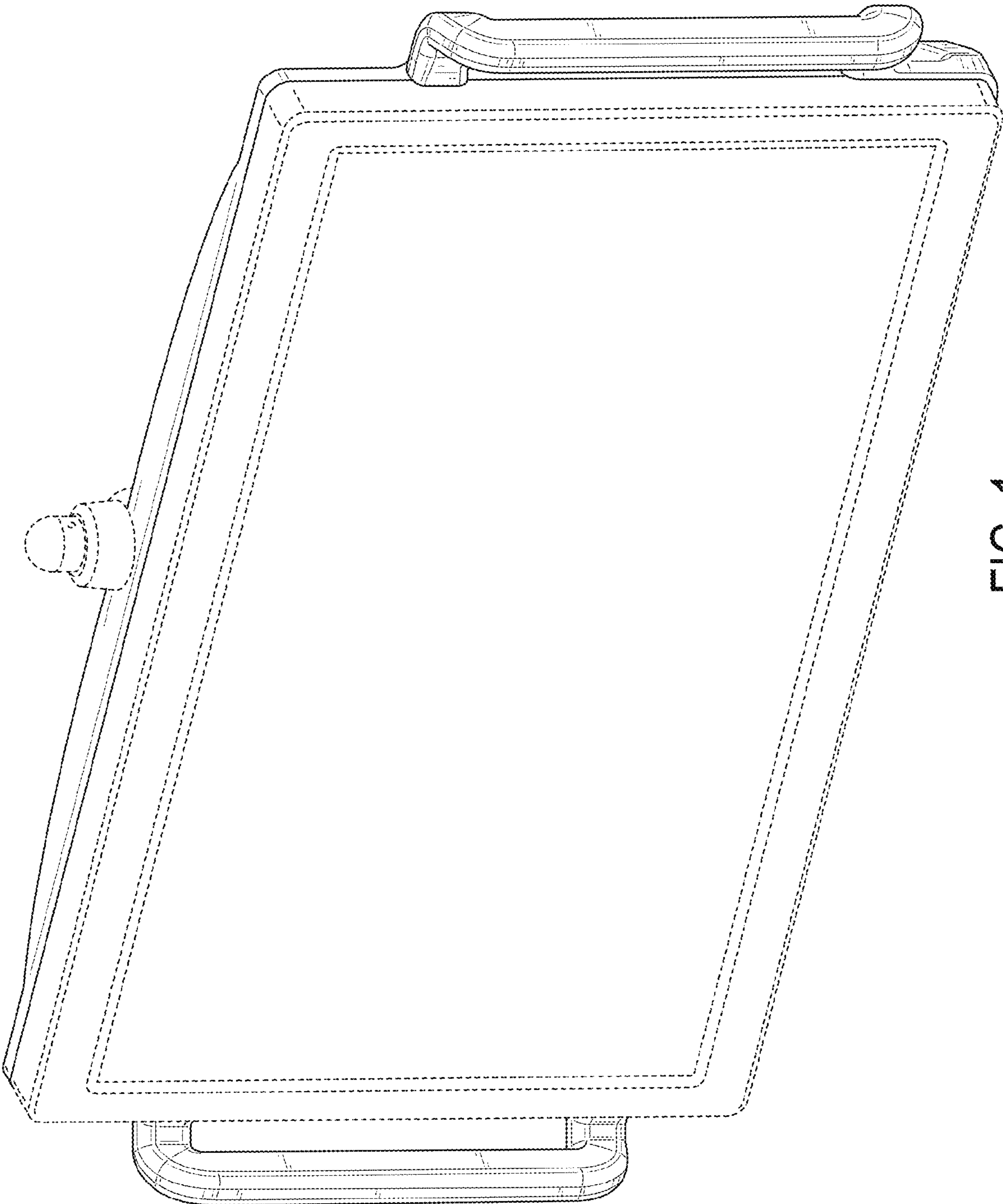


FIG. 1

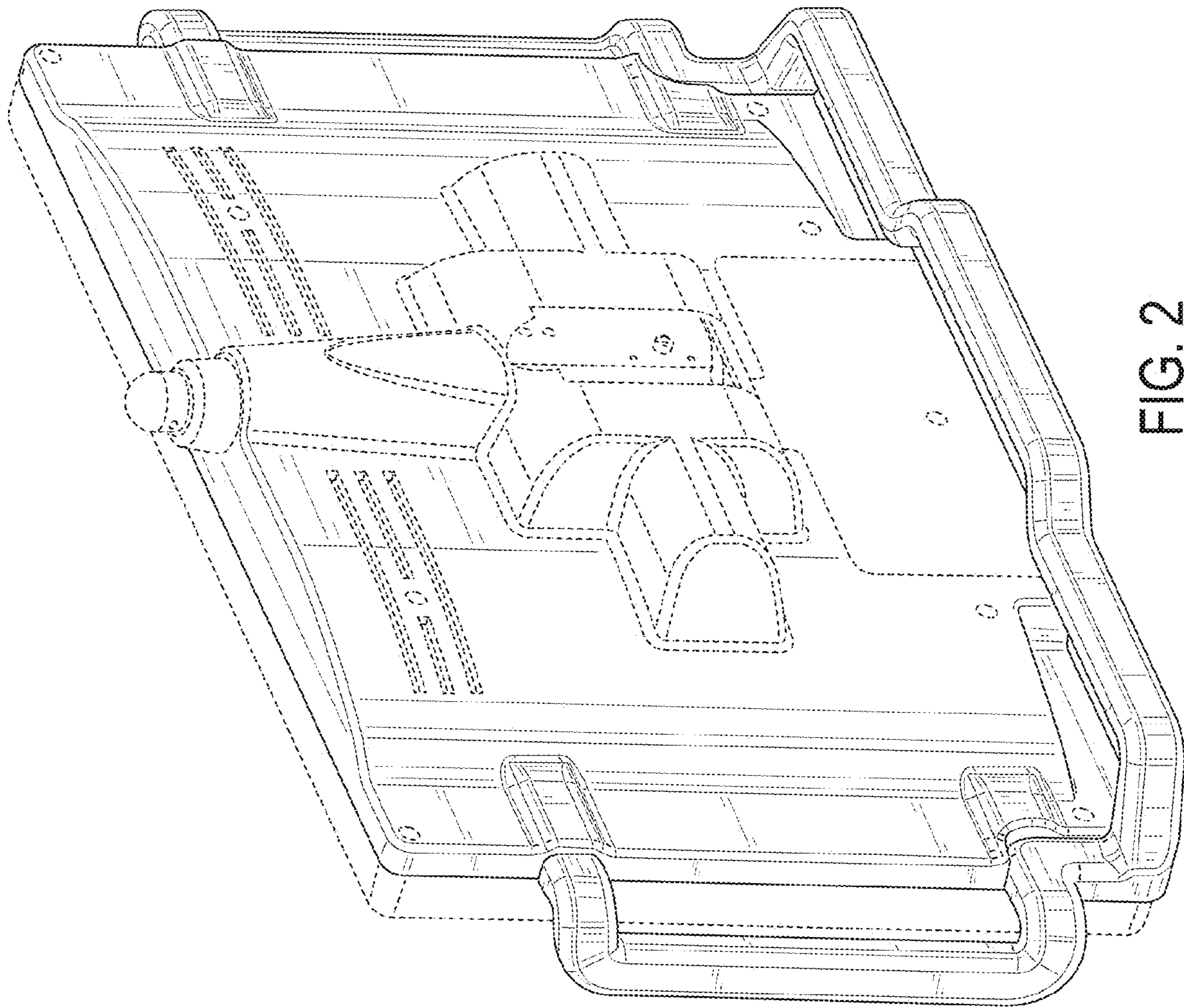


FIG. 2

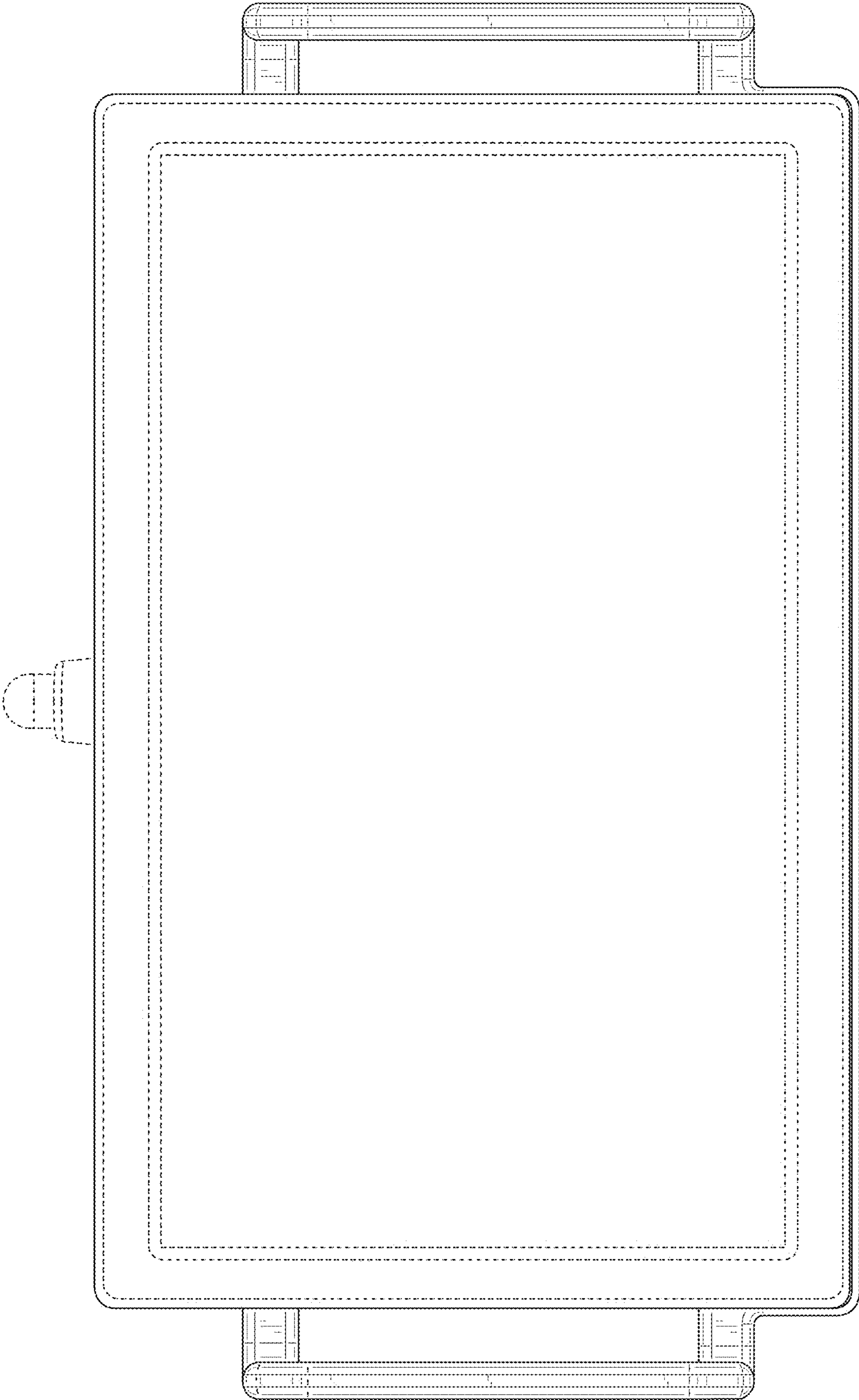


FIG. 3

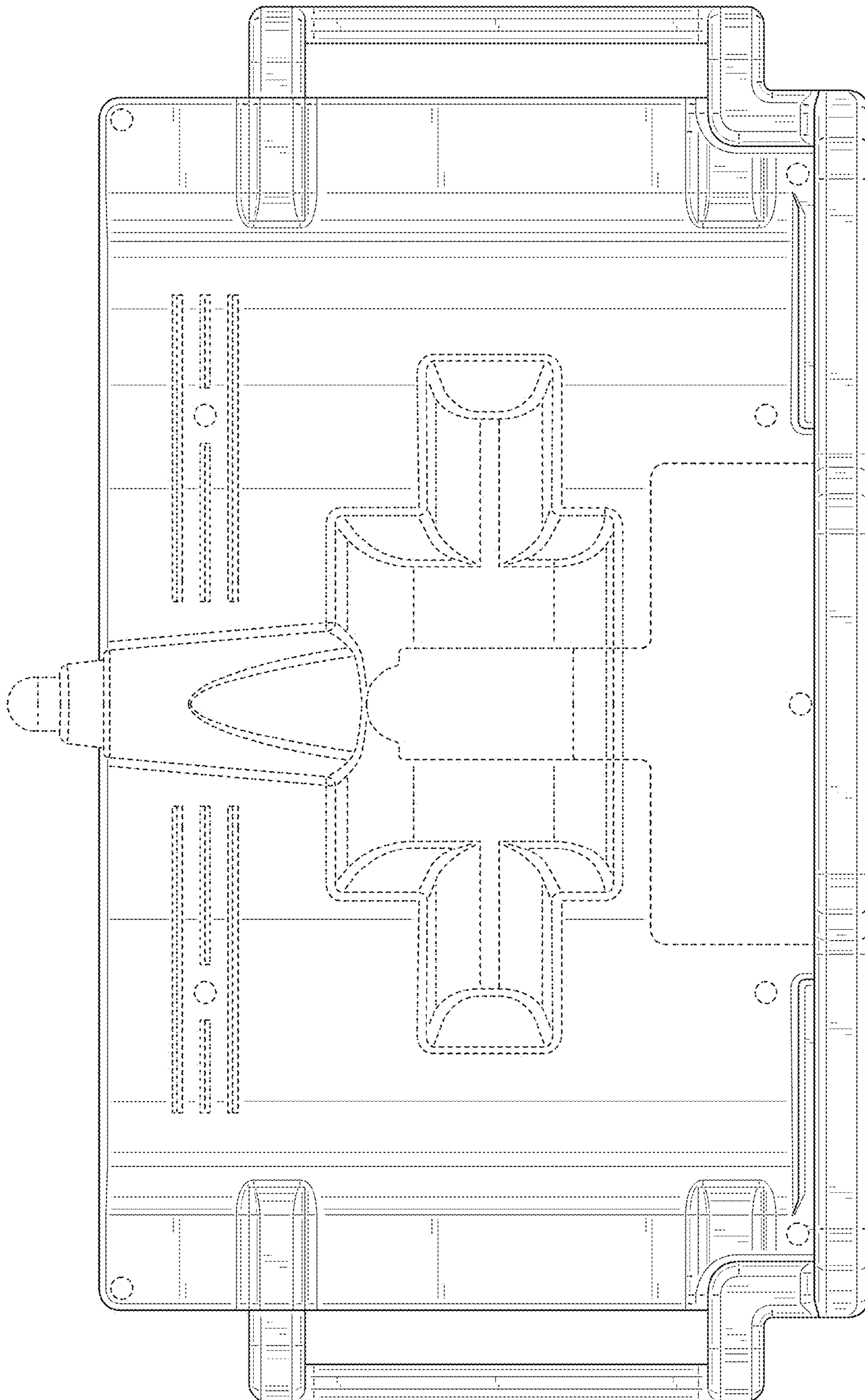


FIG. 4

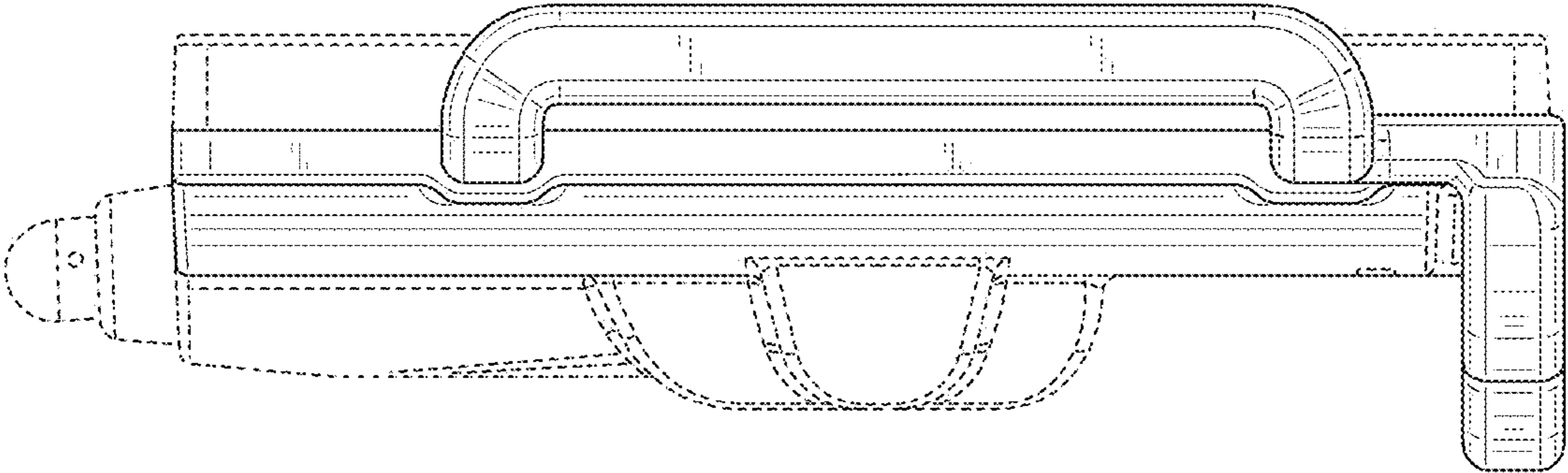


FIG. 5

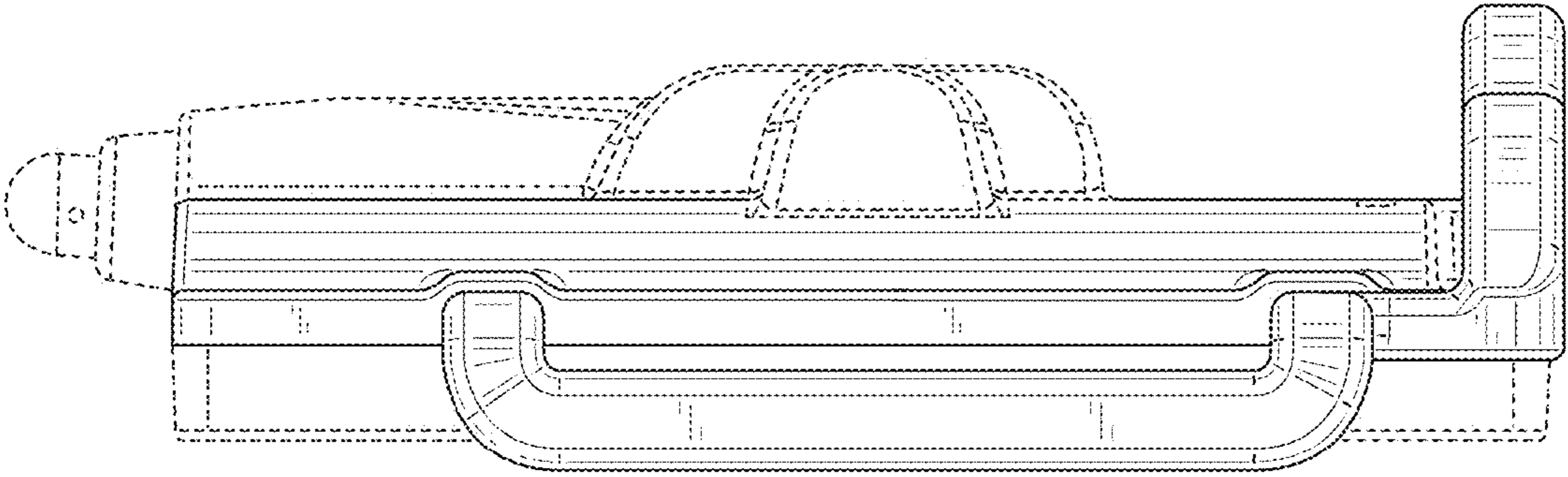


FIG. 6

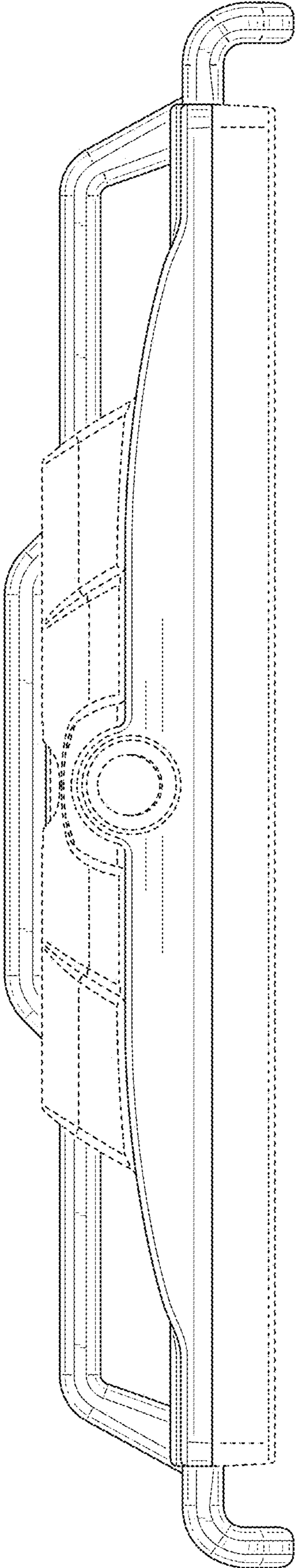


FIG. 7

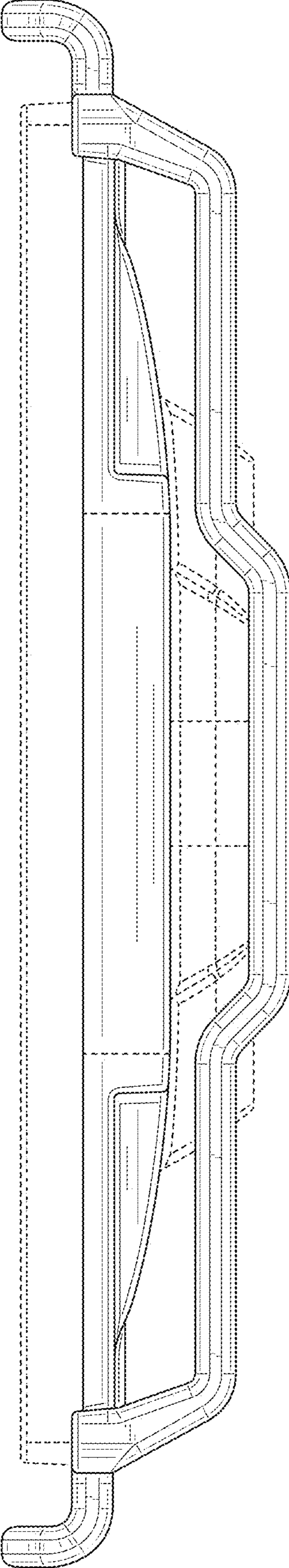


FIG. 8