



US00D888249S

(12) **United States Design Patent**
Bruss

(10) **Patent No.:** **US D888,249 S**
(45) **Date of Patent:** **** Jun. 23, 2020**

- (54) **MOUTHGUARD**
- (71) Applicant: **Ryan Bruss**, Sherwood, OR (US)
- (72) Inventor: **Ryan Bruss**, Sherwood, OR (US)
- (**) Term: **15 Years**
- (21) Appl. No.: **29/679,549**
- (22) Filed: **Feb. 7, 2019**

5,409,017 A * 4/1995 Lowe A61C 7/10
128/848

5,499,633 A 3/1996 Fenton

5,794,627 A * 8/1998 Frantz A61F 5/566
128/848

5,823,193 A 10/1998 Singer et al.
(Continued)

Related U.S. Application Data

- (60) Provisional application No. 62/792,586, filed on Jan. 15, 2019.
- (51) **LOC (12) Cl.** **24-02**
- (52) **U.S. Cl.**
USPC **D24/181; D24/180**
- (58) **Field of Classification Search**
USPC D24/180, 181, 194, 176, 177, 178, 179,
D24/182, 110, 110.1–110.6, 127, 108;
D29/108, 122, 128
CPC A61F 5/566; A61F 2005/563; A61H
2001/0207; A63B 71/085; A63B
2071/086; A63B 71/0054; A61C 7/08;
A61C 7/36; A61C 7/143; A61C 7/148;
A61C 19/05; A61C 7/145; A61C 7/00;
A61C 7/06; A61C 7/12; A61C 7/14;
A61C 7/16; A61C 7/28; A61C 7/30;
A61C 7/141
See application file for complete search history.

FOREIGN PATENT DOCUMENTS

CN 2613250 Y 4/2004

CN 206548669 U 3/2017
(Continued)

OTHER PUBLICATIONS

Snoring Mouthpiece SomnoFit-S, [site visited Mar. 25, 2020], available from internet. URL: <https://somniahop.net/shop/snoring-mouthpiece-somnofit-s/> (Year: 2016).*

(Continued)

Primary Examiner — T Chase Nelson
Assistant Examiner — Kelly L Gross
(74) *Attorney, Agent, or Firm* — Miller IP Law, LLC

(57) **CLAIM**

The ornamental design for a mouthguard, as shown and described.

DESCRIPTION

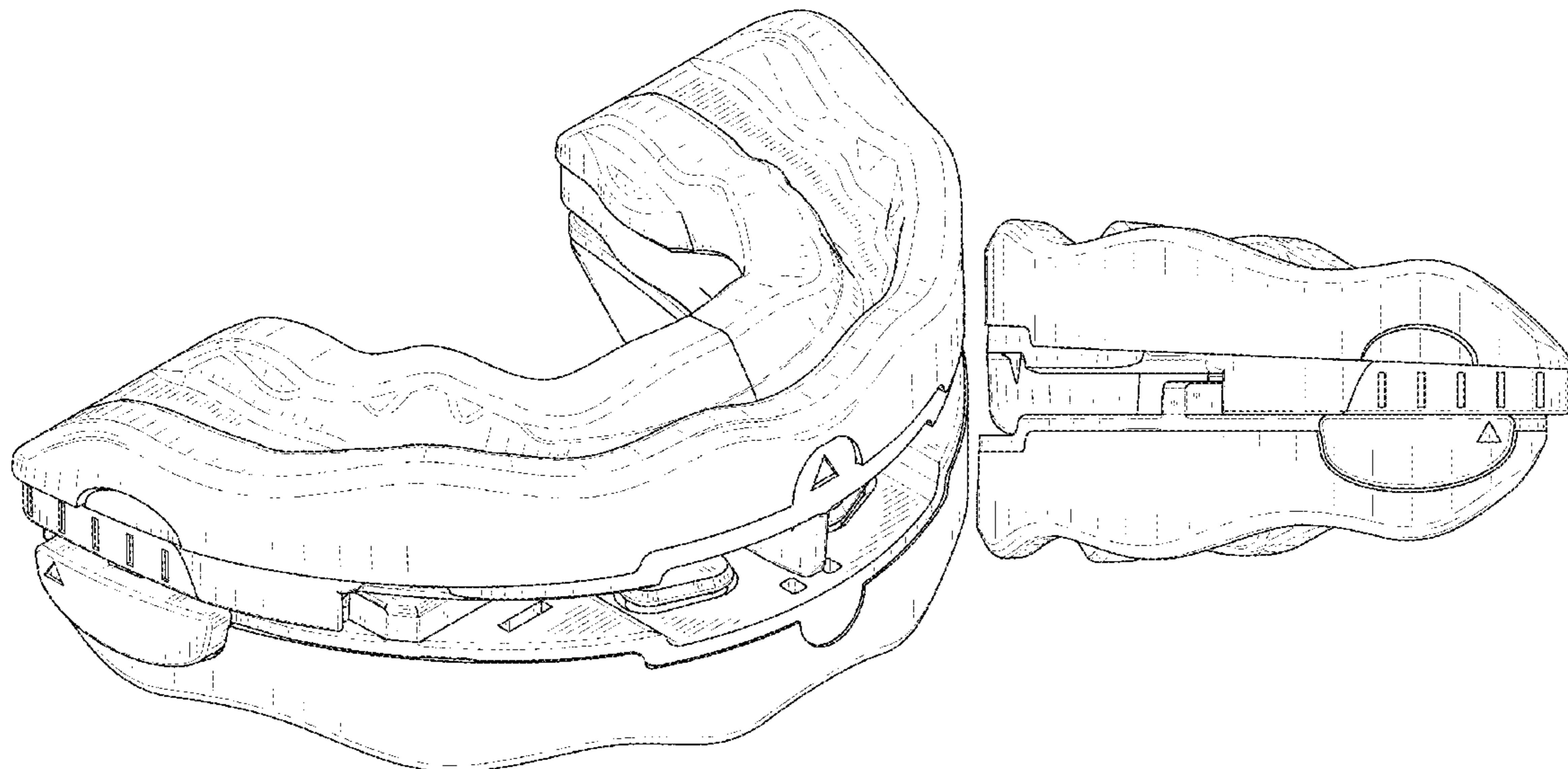
FIG. 1 is a side perspective view of a mouthguard;
FIG. 2 is a front perspective view thereof;
FIG. 3 is a bottom perspective view thereof;
FIG. 4 is another front perspective view thereof;
FIG. 5 is a front perspective view thereof;
FIG. 6 is a back view thereof;
FIG. 7 is a side view thereof;
FIG. 8 is another side view thereof;
FIG. 9 is a top view thereof; and,
FIG. 10 is another top view thereof.

1 Claim, 10 Drawing Sheets

(56) **References Cited**

U.S. PATENT DOCUMENTS

- 2,876,541 A * 3/1959 Jensen A61C 19/05
433/69
- 3,068,570 A * 12/1962 Thompson A61C 19/05
433/69
- D323,215 S * 1/1992 Bergersen D24/180
- 5,092,346 A 3/1992 Hays et al.



US D888,249 S

(56)

References Cited

U.S. PATENT DOCUMENTS

6,418,933	B1 *	7/2002	Strong	A61F 5/566 128/848	2008/0105268	A1 *	5/2008	Kusukawa	A61F 5/566 128/848
6,626,664	B1 *	9/2003	Bergersen	A61C 7/08 433/6	2008/0199824	A1 *	8/2008	Hargadon	A61F 5/566 433/6
6,769,910	B1	8/2004	Pantino		2008/0280251	A1 *	11/2008	Gallagher	A46B 11/0003 433/80
D529,615	S *	10/2006	Atz	D24/181	2009/0277461	A1 *	11/2009	Gallagher, Jr.	A46B 11/0003 128/861
D554,260	S *	10/2007	Diacopoulos	D24/181	2009/0308401	A1 *	12/2009	Orrico	A61F 5/566 128/848
7,520,281	B1 *	4/2009	Nahabedian	A61F 5/566 128/848	2011/0005526	A1 *	1/2011	Garabadian	A61F 5/566 128/848
7,757,693	B2 *	7/2010	Toussaint	A61F 5/566 128/848	2011/0030704	A1	2/2011	Hanna	
7,766,016	B2 *	8/2010	Orrico	A61F 5/566 128/848	2011/0155144	A1 *	6/2011	Toussaint	A61F 5/566 128/848
7,810,502	B1 *	10/2010	Nguyen	A61F 5/566 128/848	2011/0277774	A1 *	11/2011	Connell	A61F 5/566 128/848
7,836,889	B2 *	11/2010	Kusukawa	A61F 5/566 128/848	2012/0012120	A1 *	1/2012	Giffey	A61B 1/24 128/860
8,166,976	B2 *	5/2012	Webster	A61F 5/566 128/848	2012/0255563	A1 *	10/2012	Thornton	A61C 7/08 128/861
8,215,312	B2 *	7/2012	Garabadian	A61F 5/566 128/848	2012/0295211	A1 *	11/2012	Frantz	A61C 7/08 433/6
8,312,884	B2 *	11/2012	Fuselier	A61F 5/566 128/846	2013/0098372	A1 *	4/2013	Webster	A61F 5/566 128/848
8,631,800	B2 *	1/2014	Lindsay	A61F 5/566 128/848	2013/0220341	A1 *	8/2013	Scheffel	A61F 5/566 128/848
8,646,455	B2 *	2/2014	Webster	A61F 5/566 128/848	2013/0263865	A1 *	10/2013	Khast	A61F 5/566 128/848
8,783,260	B2 *	7/2014	Remmers	A61F 5/566 128/848	2014/0000633	A1	1/2014	Hernandez	
8,833,374	B2 *	9/2014	Fallon	A61F 5/566 128/848	2014/0020691	A1 *	1/2014	Sweeney	A61F 5/566 128/848
8,839,793	B2 *	9/2014	Diaz	A61F 5/566 128/848	2014/0072927	A1 *	3/2014	Diaz	A61F 5/566 433/6
8,931,487	B2 *	1/2015	Razmovski	A61F 5/566 128/848	2014/0120489	A1 *	5/2014	Klein	A61C 7/36 433/6
9,095,454	B2 *	8/2015	Petelle	A61C 7/36	2014/0190490	A1 *	7/2014	Walker	A61F 5/566 128/848
9,192,454	B2 *	11/2015	Klein	A61C 7/36	2014/0230829	A1 *	8/2014	Rogers	A61C 7/36 128/848
9,345,613	B2 *	5/2016	Urbano	A61F 5/566	2014/0326253	A1 *	11/2014	Baratier	A61F 5/566 128/848
9,414,896	B2 *	8/2016	Giffey	A61B 1/24	2014/0352701	A1 *	12/2014	Ingemarsson-Matzen	A61F 5/566 128/848
9,545,331	B2 *	1/2017	Ingemarsson-Matzen	A61F 5/566						
D778,449	S *	2/2017	Ingemarsson-Matzen	D24/181	2015/0079530	A1 *	3/2015	Bergersen	A61C 7/08 433/6
9,585,785	B2 *	3/2017	Hofmann	A61F 5/566	2015/0164682	A1 *	6/2015	Remmers	A61B 5/4812 600/301
9,615,964	B2 *	4/2017	Rogers	A61C 7/08	2015/0182374	A1 *	7/2015	Stenberg	A61C 7/08 128/848
9,656,114	B1 *	5/2017	Hafeez-Bey	A63B 21/0085	2015/0202075	A1 *	7/2015	Vincent	A61C 7/36 128/848
9,687,383	B2 *	6/2017	Ingemarsson-Matzen	A61F 5/566	2015/0216716	A1 *	8/2015	Anitua Aldecoa	A61C 7/08 128/848
D799,049	S *	10/2017	Farrell	D24/181	2015/0251051	A1 *	9/2015	Mohammed	A63B 23/032 482/11
D800,317	S *	10/2017	Farrell	D24/181	2016/0199215	A1 *	7/2016	Kopelman	A61F 5/566 128/848
9,937,019	B1 *	4/2018	Copps	A61C 7/08	2017/0000643	A1 *	1/2017	Gelb	A61F 5/566
D832,447	S *	10/2018	Wiffen	D24/181	2017/0007442	A1 *	1/2017	Dietz	A61F 5/566
10,137,030	B2 *	11/2018	Lindsay	A61F 5/566	2018/0036165	A1 *	2/2018	Fallon	A61F 5/566
10,201,450	B2 *	2/2019	Vincent	A61C 7/08	2018/0055682	A1 *	3/2018	Gillette	A61M 16/06
10,251,729	B1 *	4/2019	Raslambekov	A61C 7/00	2018/0078404	A1 *	3/2018	Basson	A61F 5/56
10,265,213	B2 *	4/2019	Shim	A61F 5/566	2018/0161195	A1 *	6/2018	Carrillo Gonzalez	..	A61F 5/566
10,327,944	B2 *	6/2019	Boyd	A61F 5/566	2018/0243124	A1 *	8/2018	Togliatti	A61F 5/566
10,350,031	B2 *	7/2019	Jasper	A61C 7/36	2018/0263806	A1 *	9/2018	Toussaint	A61F 5/566
10,376,410	B2 *	8/2019	Flanagan	A61B 5/08	2019/0125574	A1 *	5/2019	Ignacio	A61F 5/566
10,376,411	B2 *	8/2019	Oowa	A61F 5/566	2019/0151042	A1 *	5/2019	Holman	A61N 5/103
10,383,758	B1 *	8/2019	Greenburg	A61F 5/566	2019/0216632	A1 *	7/2019	Fallon	A61F 5/566
10,383,761	B2 *	8/2019	Fallon	A61F 5/566	2019/0350748	A1 *	11/2019	Fallon	A61F 5/566
10,390,990	B2 *	8/2019	Miquel	A61C 7/36	2019/0388191	A1 *	12/2019	Vincent	A61C 7/08
10,583,031	B2 *	3/2020	Quaka	A61C 7/36	2020/0030136	A1 *	1/2020	Hernandez	A61F 5/566
10,583,032	B2 *	3/2020	Rogers	A61C 7/36						
2005/0037311	A1 *	2/2005	Bergersen	B33Y 80/00 433/6						
2006/0174897	A1 *	8/2006	Sarkisian	A61F 5/566 128/859						
2007/0283967	A1 *	12/2007	Bailey	A61F 5/566 128/848						
2007/0292819	A1 *	12/2007	Scarberry	A61F 5/566 433/140						

(56)

References Cited

U.S. PATENT DOCUMENTS

FOREIGN PATENT DOCUMENTS

CN	305598417	*	2/2020
EM	001344071-0003	*	7/2012
EM	006785457-0001	*	9/2019
JP	D1519682	*	2/2015
WO	2011084165	A1	7/2011
WO	20161665564	A1	10/2016

OTHER PUBLICATIONS

Vital Sleep, [site visited Mar. 4, 2020], available from Internet.

URL: <https://www.vitalsleep.com/> (Year: 2019).*

SnoreRx, [site visited Mar. 4, 2020], available from Internet. URL:

[https://www.snorerx.com/?atrkid=V3ADWD79514FD_13178797763_pla-907667616447_47518103363_g_c_pla_&gclid=](https://www.snorerx.com/?atrkid=V3ADWD79514FD_13178797763_pla-907667616447_47518103363_g_c_pla_&gclid=EAla1QobChMI19q_yoqB6AIVF-DICH0afAQ8EAQYAiABEgL4VPD_BwE)

[EAla1QobChMI19q_yoqB6AIVF-](https://www.snorerx.com/?atrkid=V3ADWD79514FD_13178797763_pla-907667616447_47518103363_g_c_pla_&gclid=EAla1QobChMI19q_yoqB6AIVF-DICH0afAQ8EAQYAiABEgL4VPD_BwE)

[DICH0afAQ8EAQYAiABEgL4VPD_BwE](https://www.snorerx.com/?atrkid=V3ADWD79514FD_13178797763_pla-907667616447_47518103363_g_c_pla_&gclid=EAla1QobChMI19q_yoqB6AIVF-DICH0afAQ8EAQYAiABEgL4VPD_BwE) (Year: 2019).*

* cited by examiner

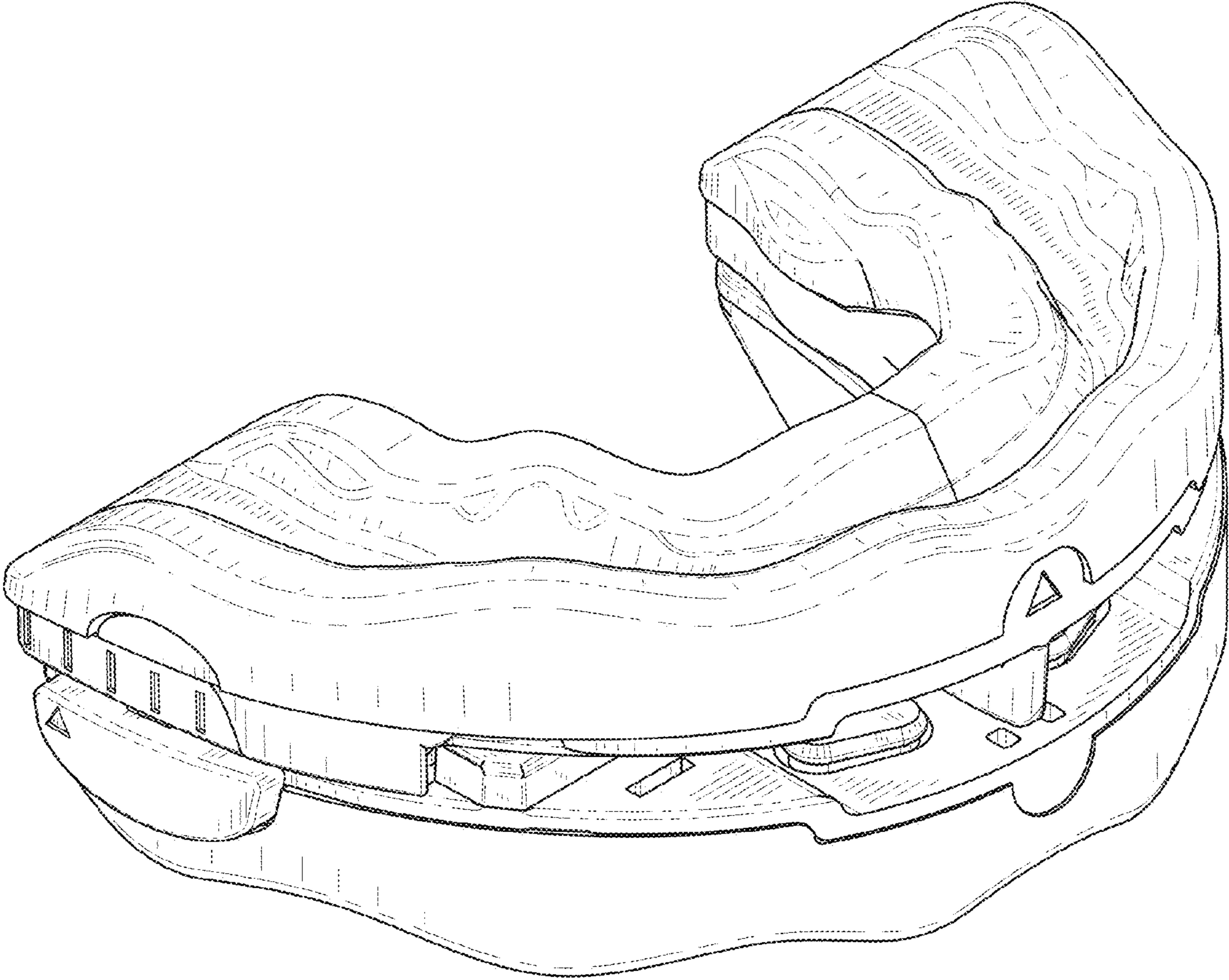


FIG. 1

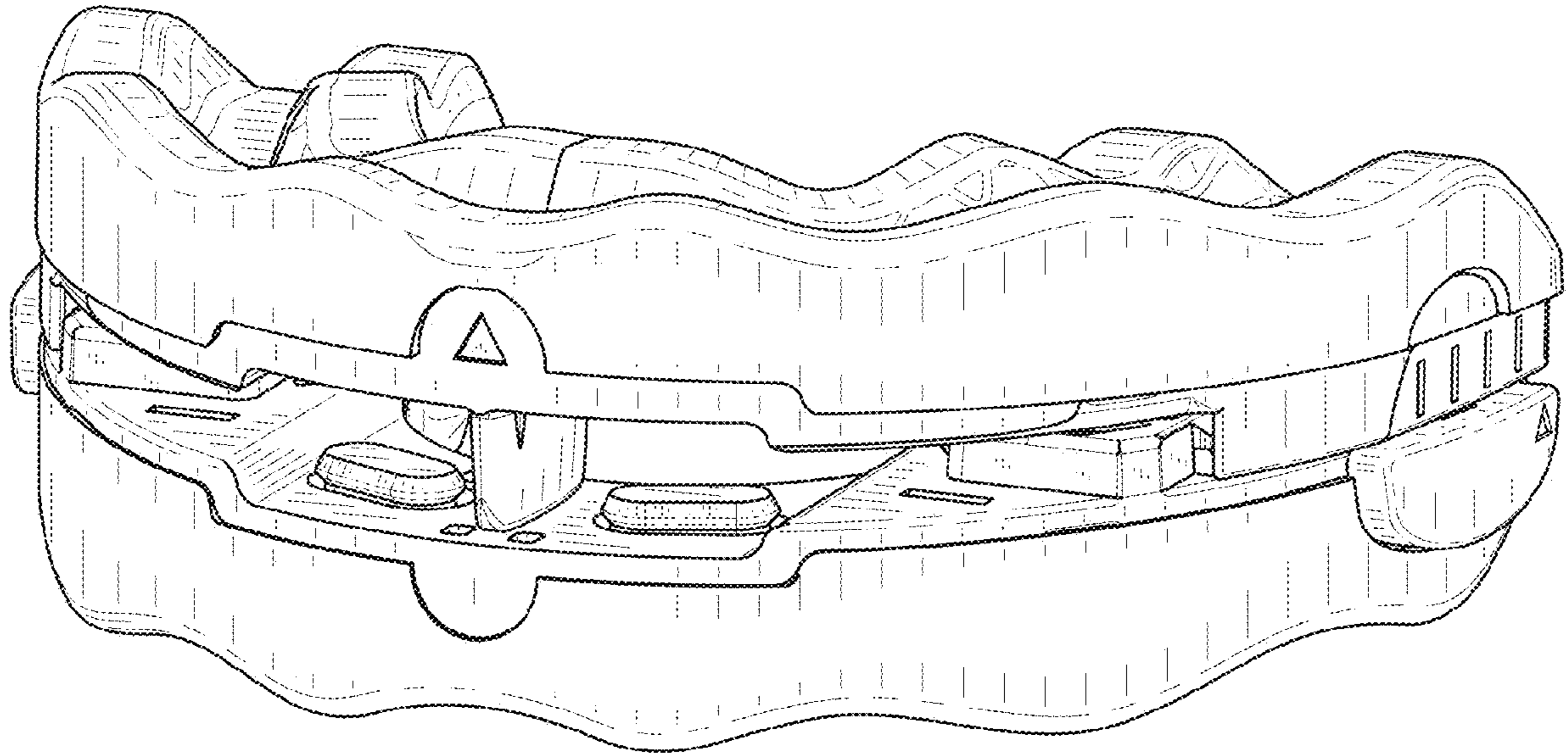


FIG. 2

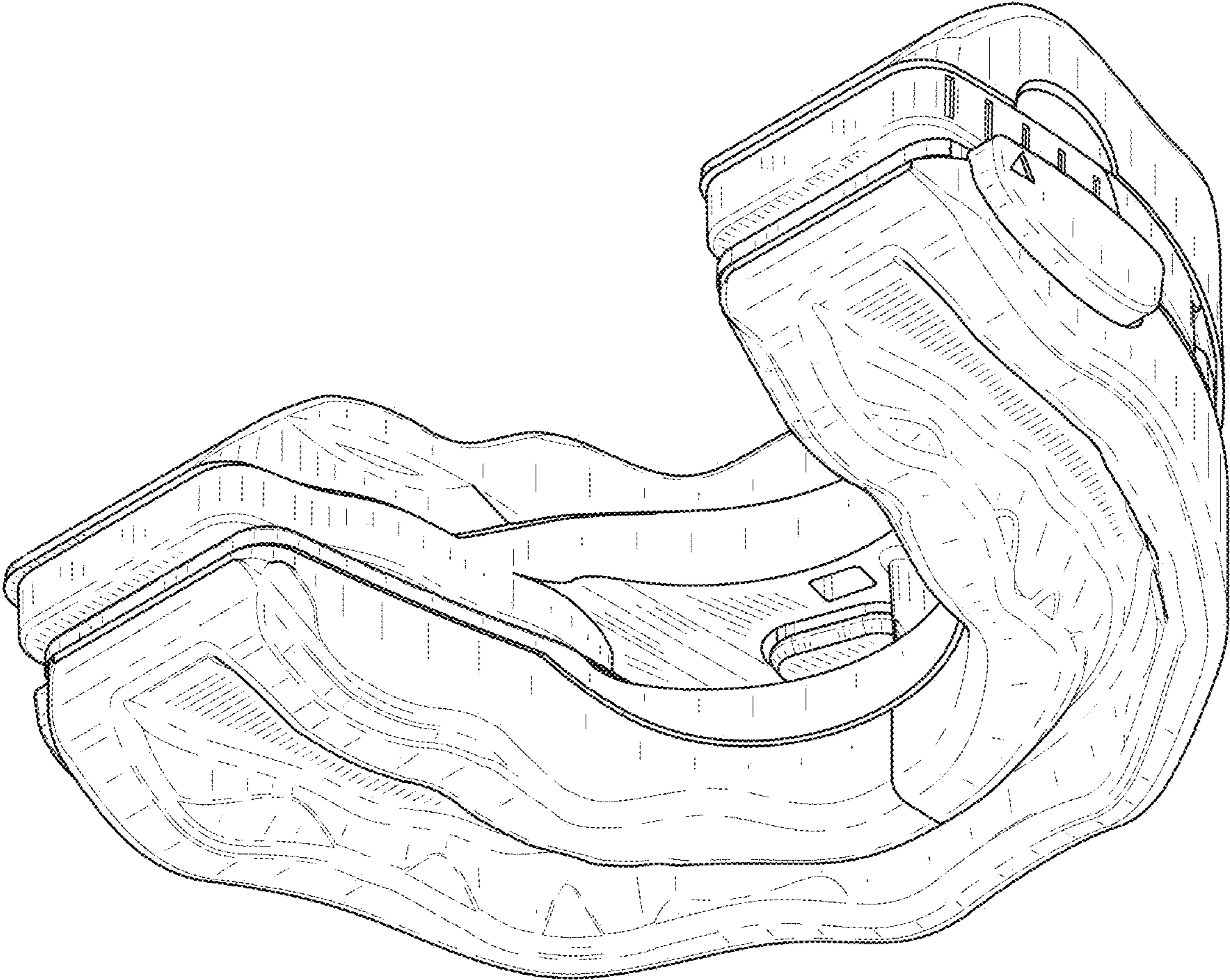


FIG. 3

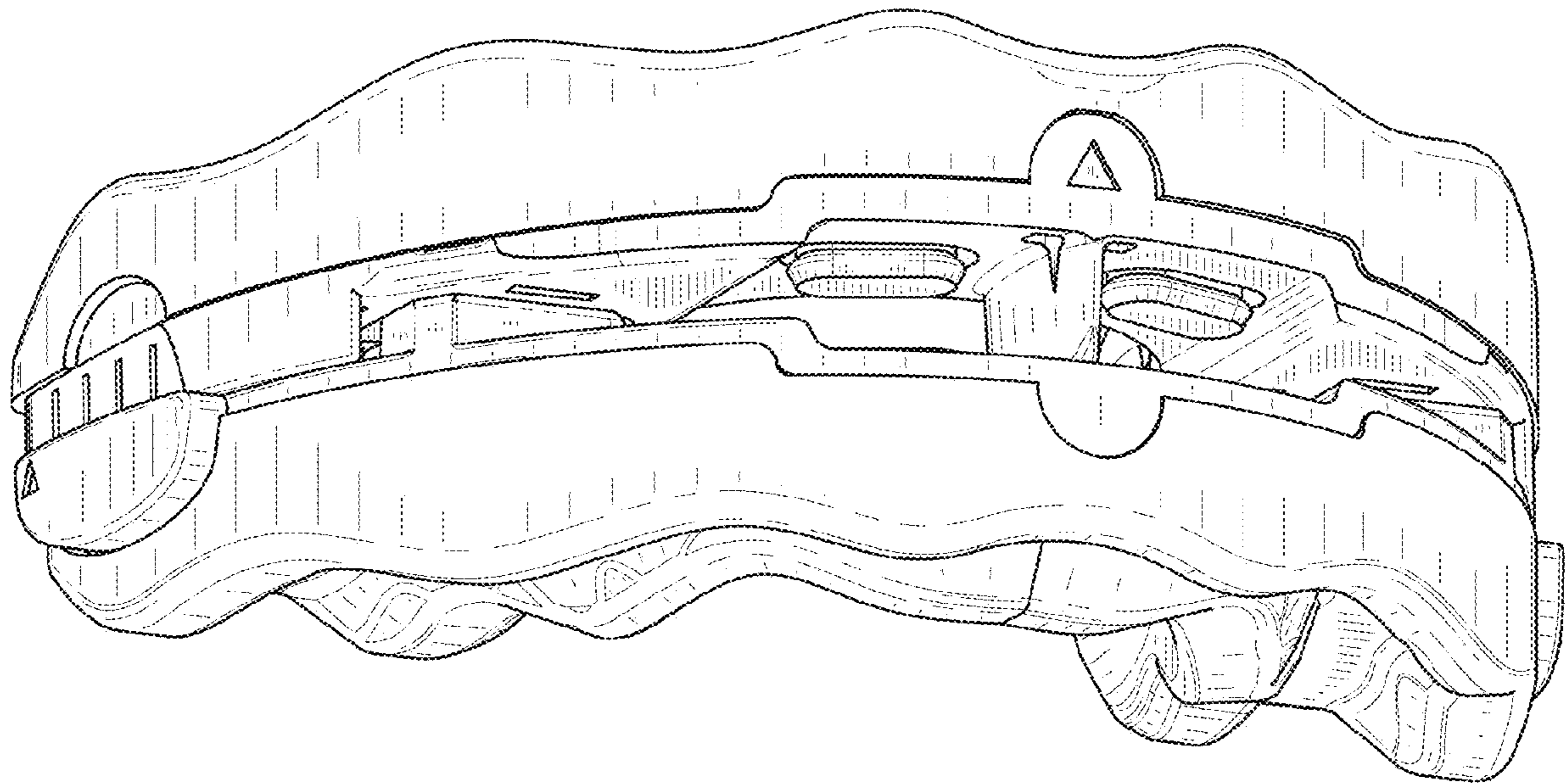


FIG. 4

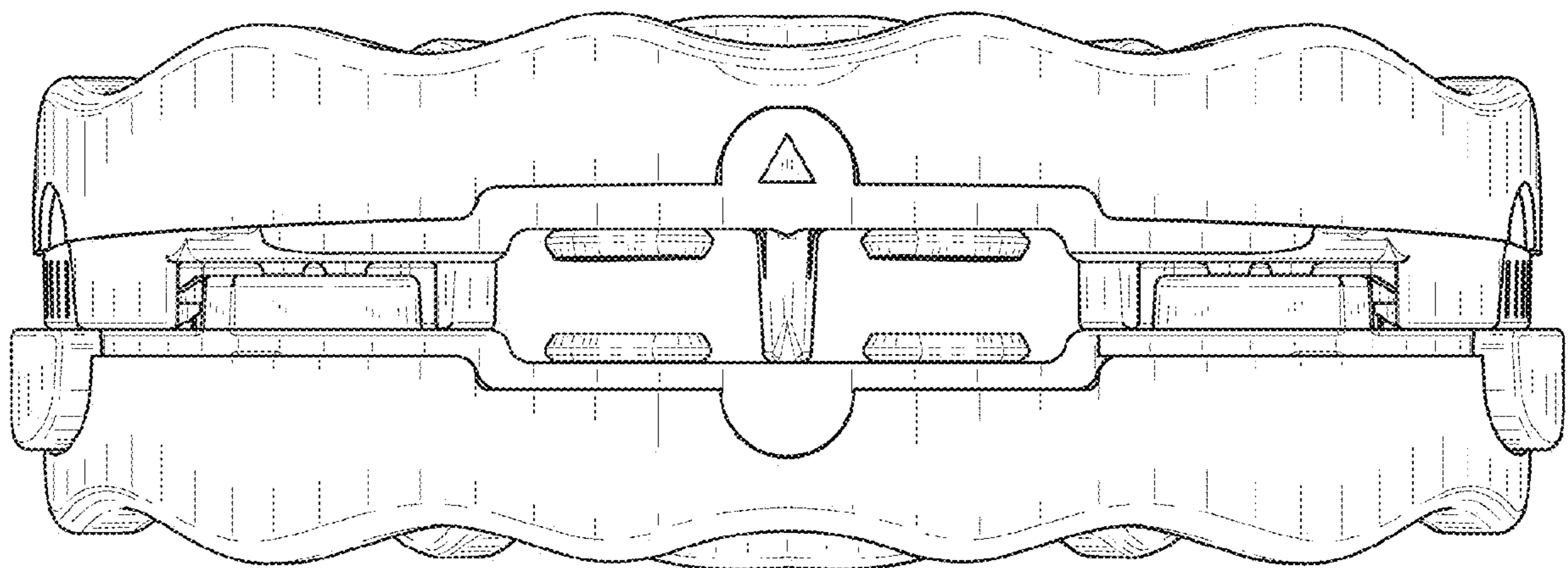


FIG. 5

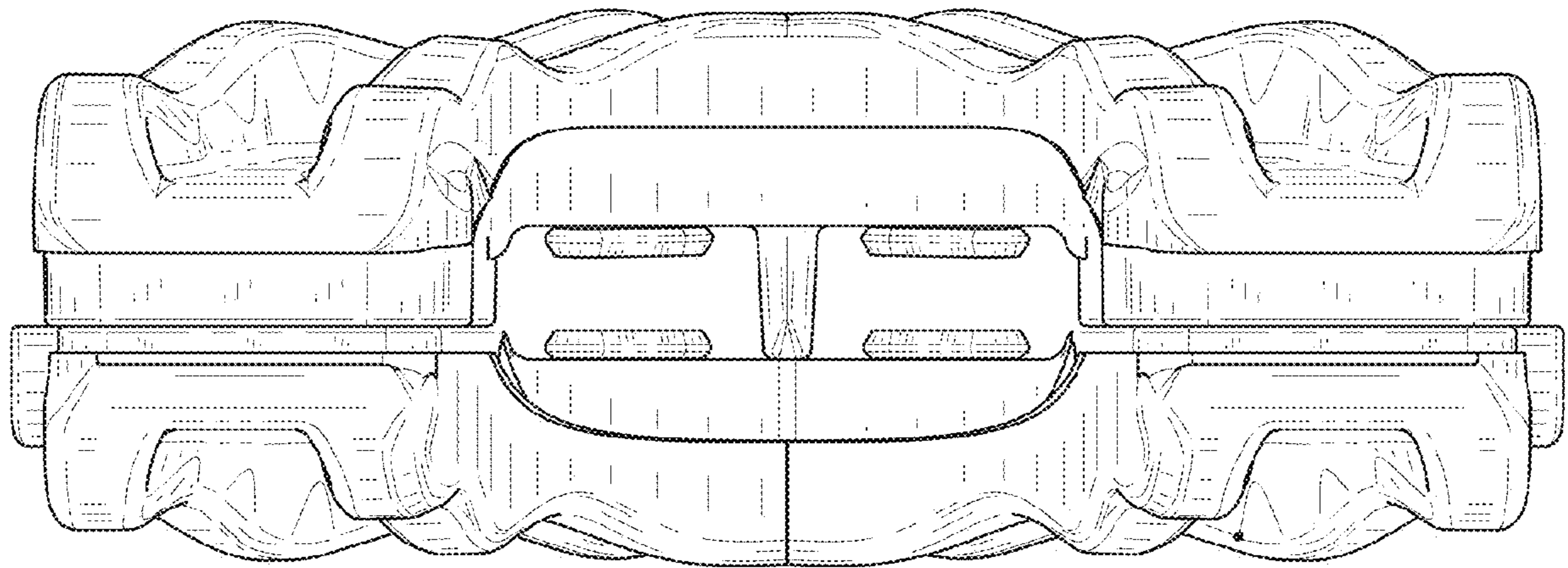


FIG. 6

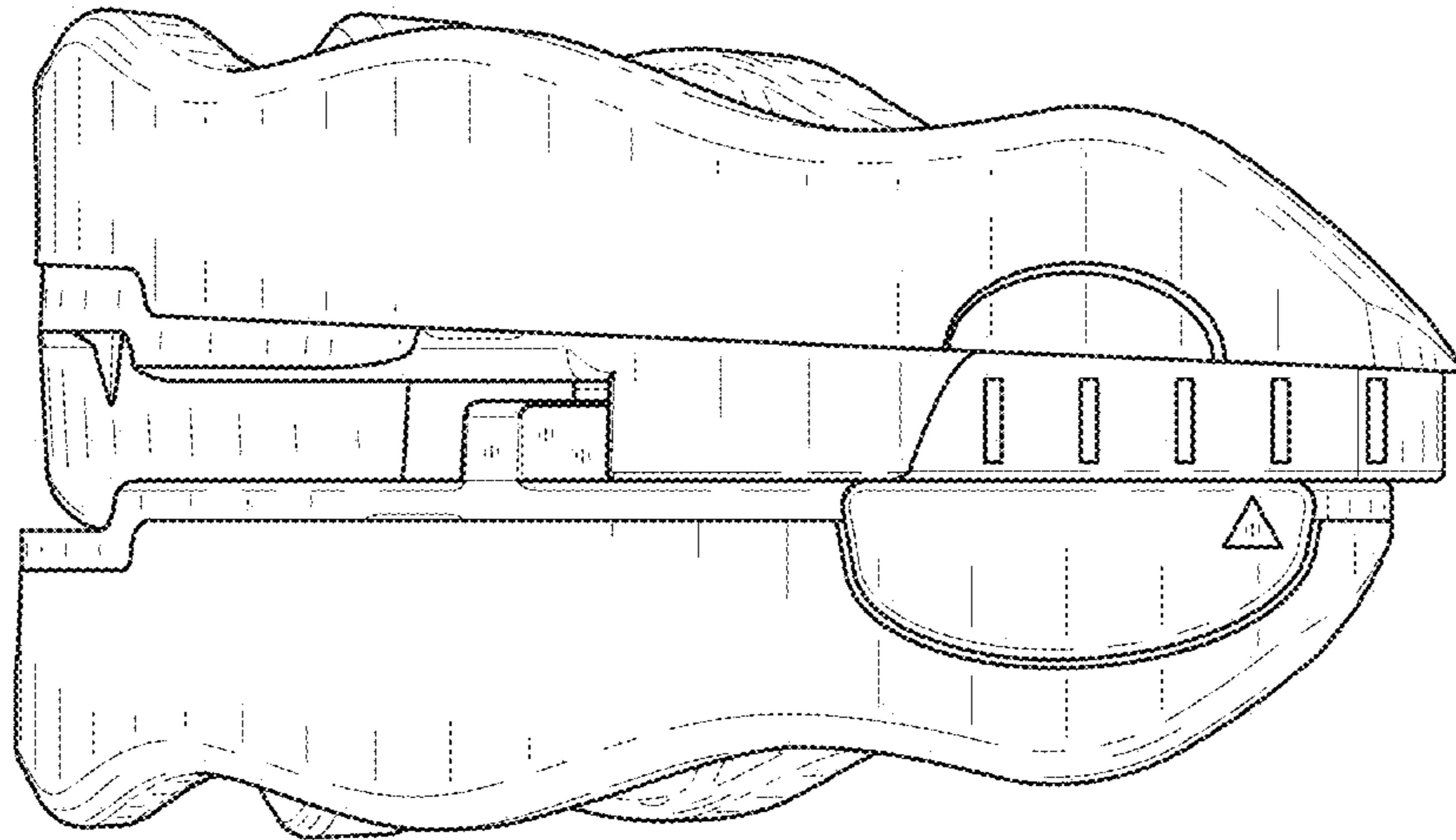


FIG. 7

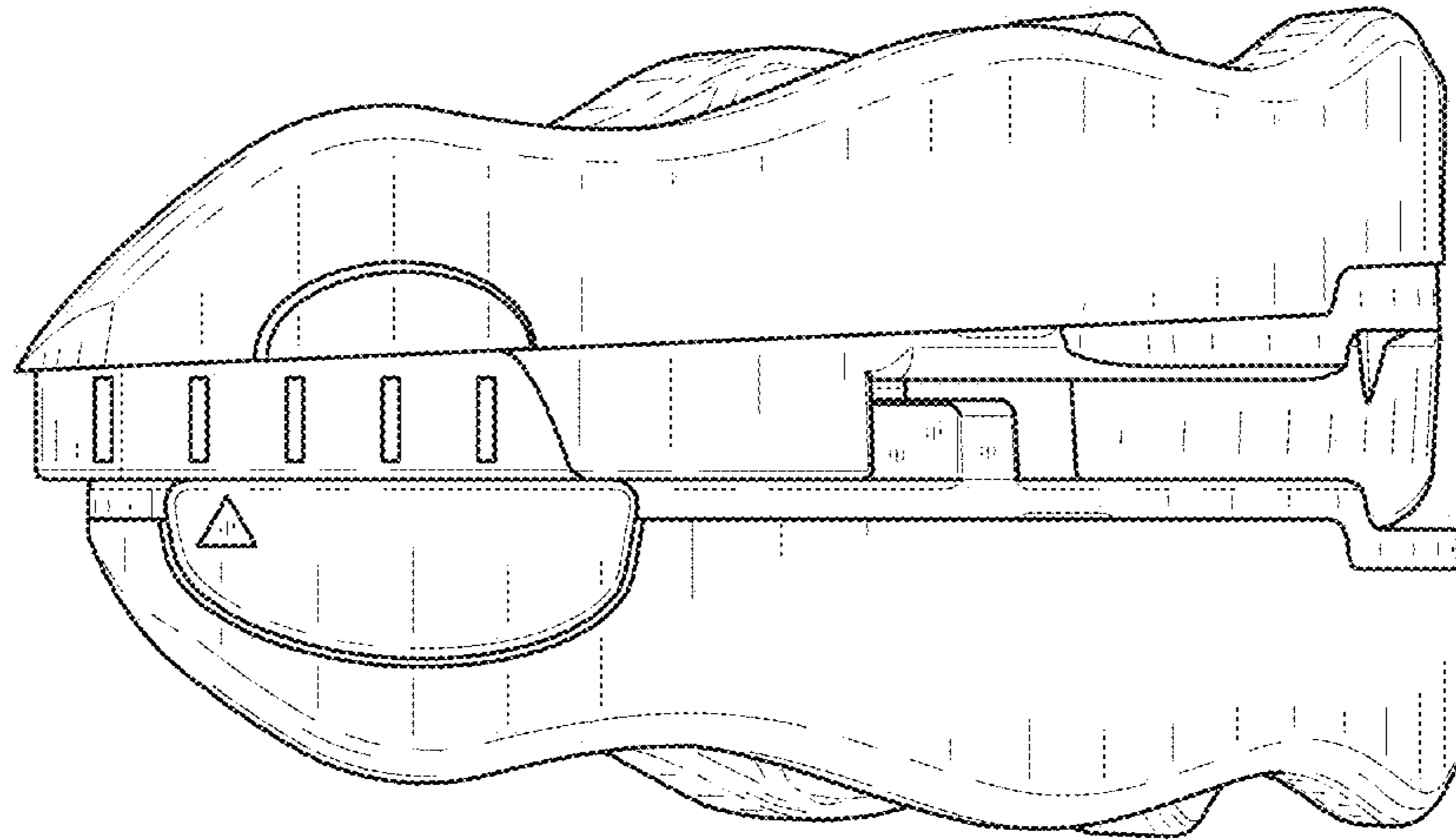


FIG. 8

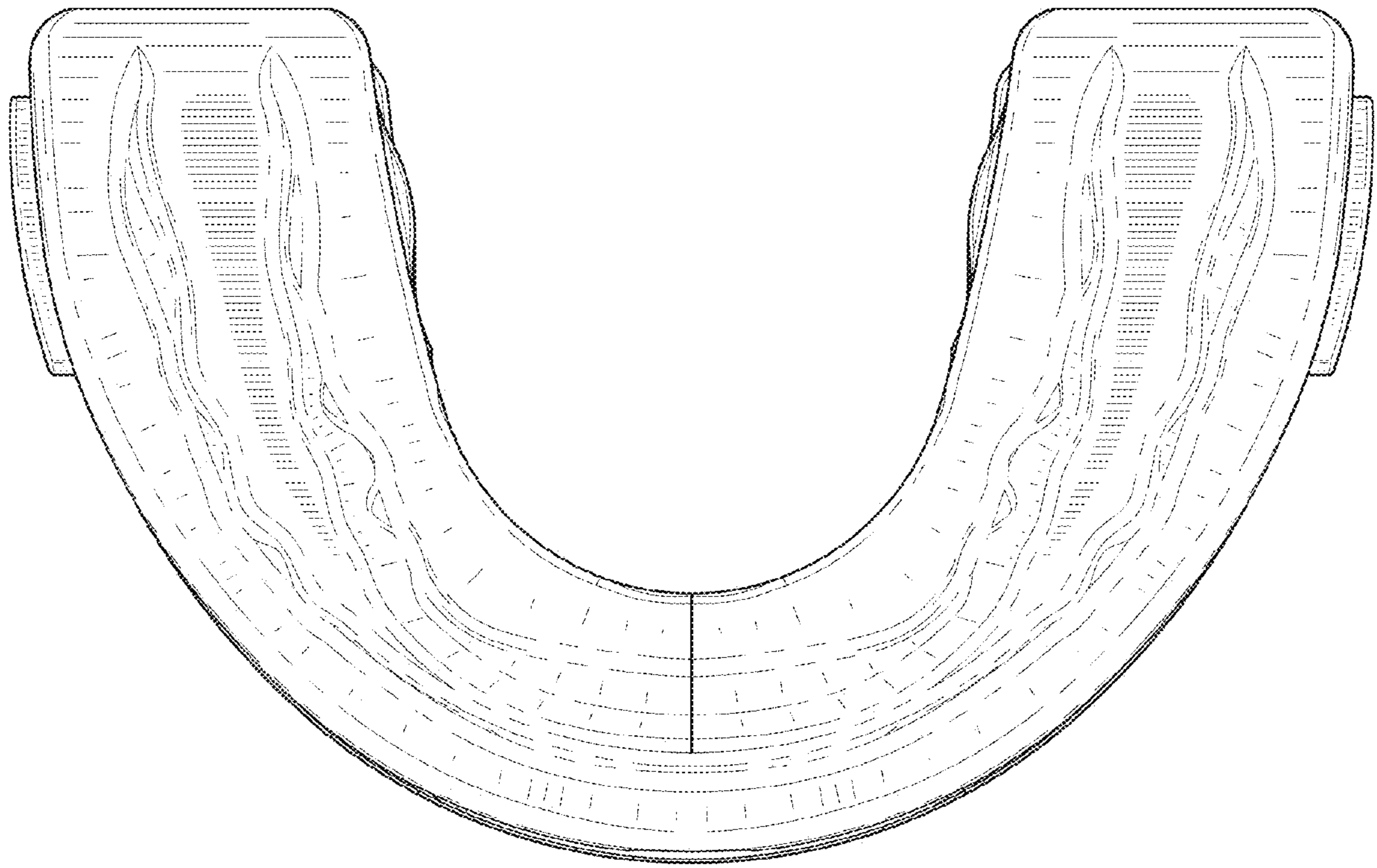


FIG. 9

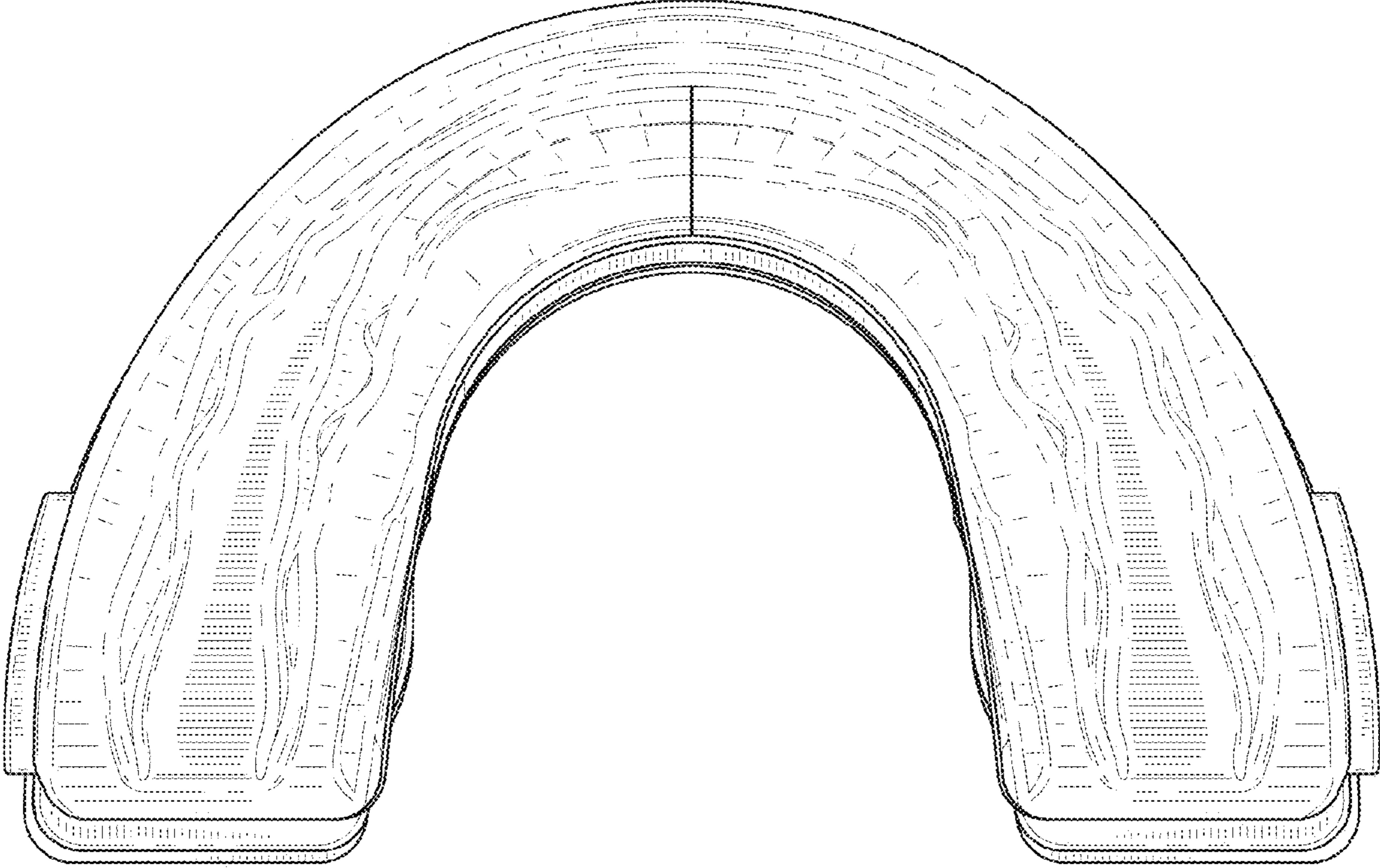


FIG. 10