



US00D888241S

(12) **United States Design Patent** (10) **Patent No.:** **US D888,241 S**
Bajwa (45) **Date of Patent:** **** *Jun. 23, 2020**

- (54) **DENTAL HANDLE INSTRUMENT**
- (71) Applicant: **Younas Bajwa**, Des Plaines, IL (US)
- (72) Inventor: **Younas Bajwa**, Des Plaines, IL (US)
- (73) Assignee: **Novadent USA, Inc.**, Des Plaines, IL (US)
- (*) Notice: This patent is subject to a terminal disclaimer.
- (**) Term: **15 Years**
- (21) Appl. No.: **29/685,781**
- (22) Filed: **Mar. 29, 2019**
- (51) **LOC (12) Cl.** **24-02**
- (52) **U.S. Cl.**
USPC **D24/152**
- (58) **Field of Classification Search**
USPC D24/119, 133, 143, 147, 152, 153, 154, D24/156; D28/55, 56, 57, 65; D8/14, D8/105, 107, 300, 303; 433/118, 119, 433/143
CPC A61C 17/00; A61C 17/20; A61C 17/0202; A61C 17/225; A61C 3/00; A61C 3/02; A61C 3/10; A61C 3/14; A61C 3/16; A61C 15/00; A61C 15/02; A61C 15/048; A61C 1/10; A61C 1/14; A61C 7/00; A61C 7/02; A61C 7/04; A61B 1/24
See application file for complete search history.

- (56) **References Cited**
U.S. PATENT DOCUMENTS
D259,660 S * 6/1981 Sosnay D24/149
4,505,678 A * 3/1985 Andersson A61C 17/00
433/143
D391,361 S * 2/1998 Evans D24/133
D394,902 S * 6/1998 Herbst D24/152
5,816,806 A * 10/1998 Herbst A61C 3/00
433/141

- D416,652 S * 11/1999 Martin D30/156
- 6,042,378 A * 3/2000 Fischer A61C 3/00
433/141
- D425,202 S * 5/2000 Hammond D24/152
- D428,652 S * 7/2000 Frezel D24/152
- D430,298 S * 8/2000 Holms D24/152
- D442,690 S * 5/2001 Fischer D24/152
- D446,858 S * 8/2001 Holms D24/152
- 6,322,362 B1 * 11/2001 Holms A61C 3/00
433/141
- D458,682 S * 6/2002 Szymaitis D24/152
- D492,413 S * 6/2004 Willat D24/152
- D497,036 S * 10/2004 La Magna D28/57
- D522,141 S * 5/2006 Chung D24/152
- D588,747 S * 3/2009 Wittke-Kothe D24/149
- D660,966 S * 5/2012 Sheild D24/152

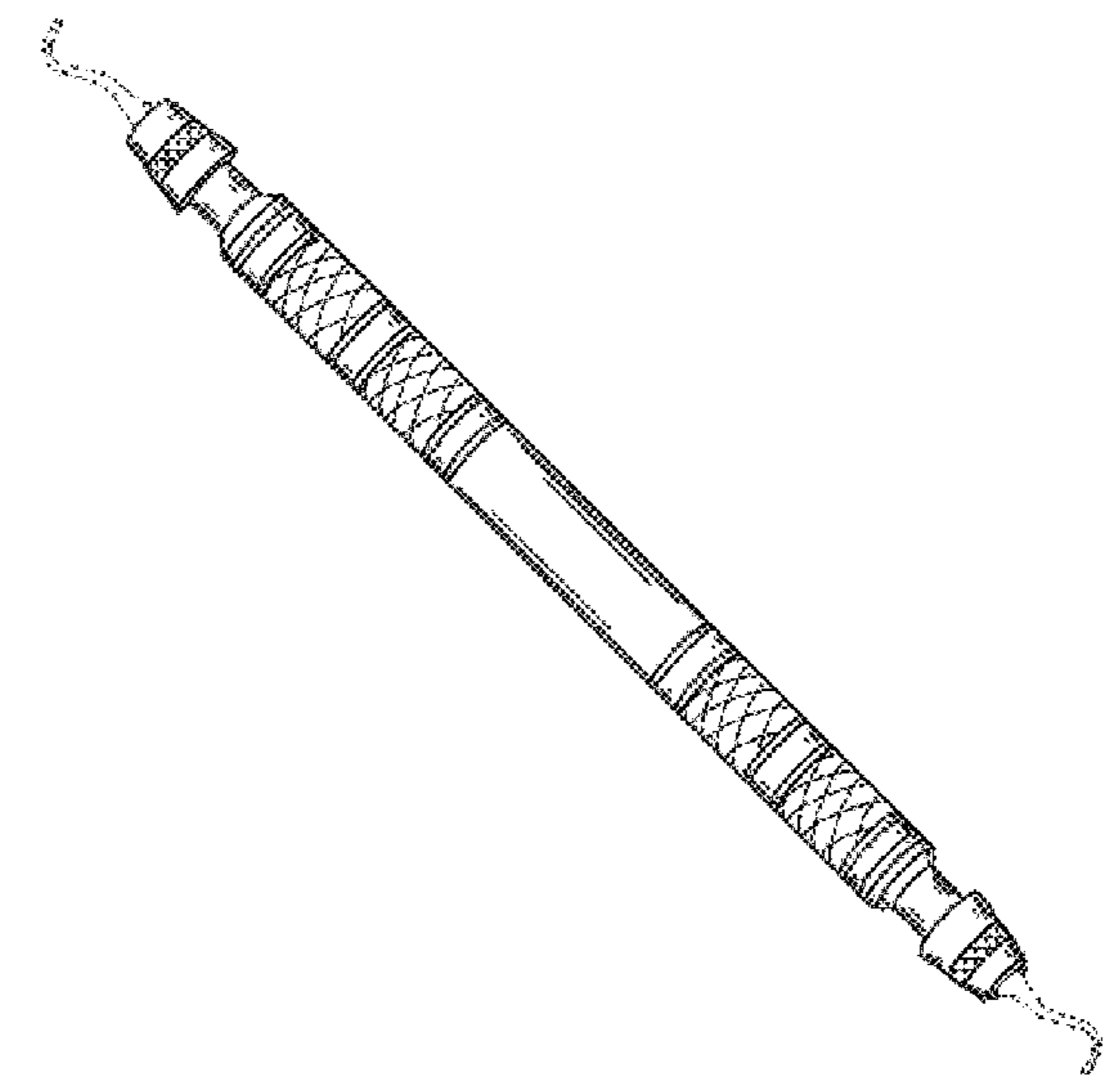
(Continued)

Primary Examiner — Wan Laymon
Assistant Examiner — Clint A Samuel
(74) *Attorney, Agent, or Firm* — Select Patents; Ashkon Cyrus

(57) **CLAIM**
The ornamental design for a dental handle instrument, as shown and described.

DESCRIPTION
FIG. 1 is a front perspective view of a dental handle instrument with tools shown in broken lines and extending from opposite ends.
FIG. 2 is a first side plan view thereof.
FIG. 3 is a second side view thereof.
FIG. 4 is a top view thereof; and,
FIG. 5 is a bottom view thereof.
The broken line showing of the tools is included for the purpose of illustrating environmental structure and forms no part of the claimed design. The other side views of the handle of a dental handle instrument (with or without the tools shown in broken lines) are similar or symmetrical to the illustrated first side plan view of FIG. 2.

1 Claim, 3 Drawing Sheets



(56)

References Cited

U.S. PATENT DOCUMENTS

D687,553	S *	8/2013	Coreil	D24/149
D729,935	S *	5/2015	Gu	D24/152
D743,550	S *	11/2015	Lim	D24/152
D745,154	S *	12/2015	Pace	D24/146
D750,247	S *	2/2016	Cho	D24/152
D750,781	S *	3/2016	Tanaka	D24/152
D754,345	S *	4/2016	Gu	D24/152
D779,064	S *	2/2017	Sanchez	D24/149
D790,061	S *	6/2017	Gu	D24/152
D803,400	S *	11/2017	Latif	D24/154
D805,641	S *	12/2017	Gu	D24/152
D807,505	S *	1/2018	Chauhan	D24/154
D807,506	S *	1/2018	Chauhan	D24/154
D809,138	S *	1/2018	Khan	D24/133
D827,823	S *	9/2018	Larsen	D24/146
D839,426	S *	1/2019	Bajwa	D24/152
2008/0014553	A1 *	1/2008	Garrison	A61C 3/08 433/164
2010/0184000	A1 *	7/2010	Beach	A61C 3/00 433/143
2011/0117519	A1 *	5/2011	Yamada	A61C 3/00 433/141
2018/0085192	A1 *	3/2018	Lasner	A61C 3/14

* cited by examiner

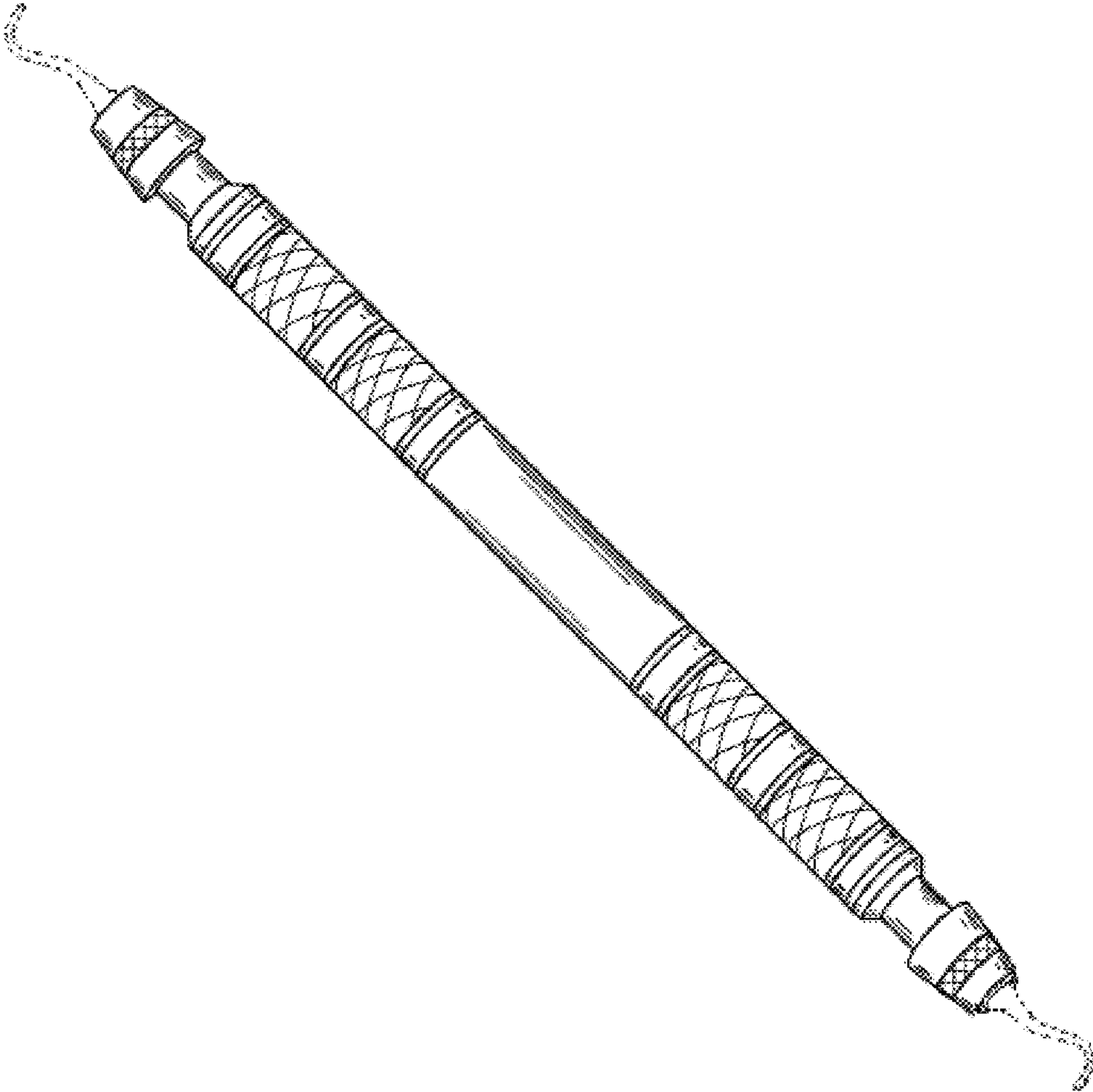


FIG 1.

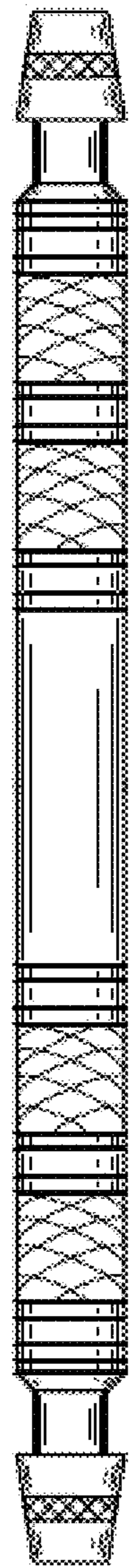


FIG. 2

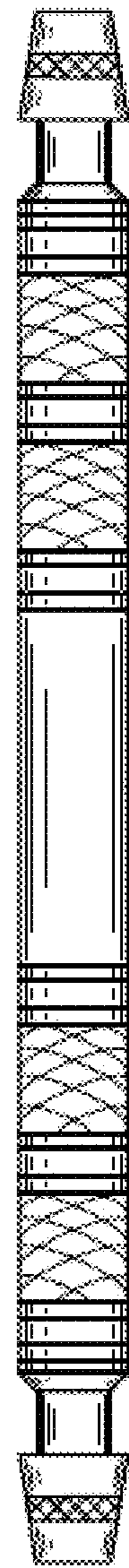


FIG. 3

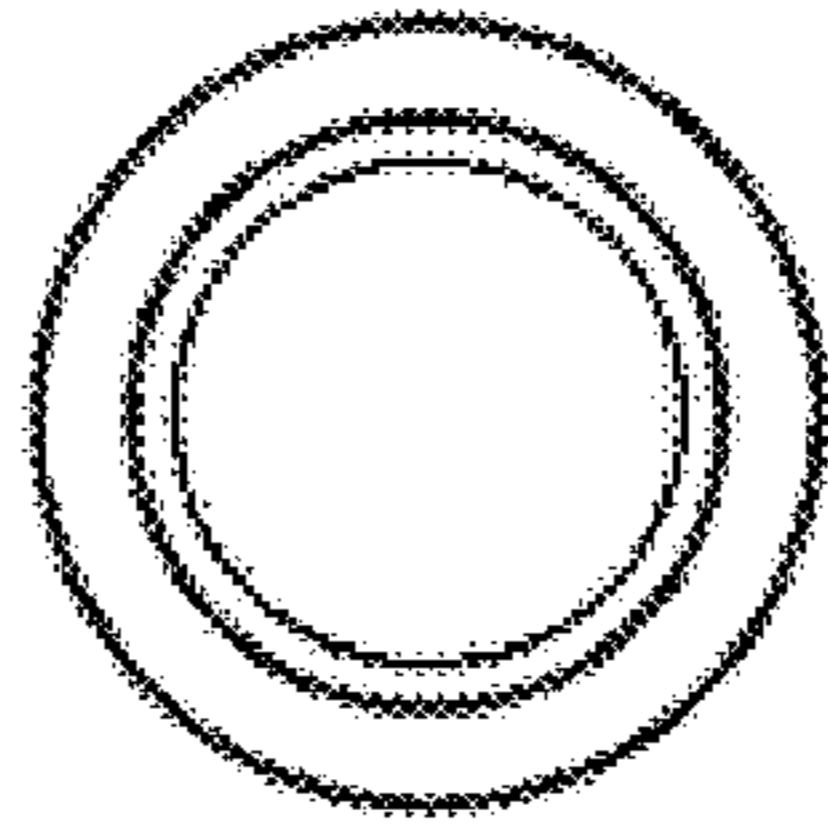


FIG. 4

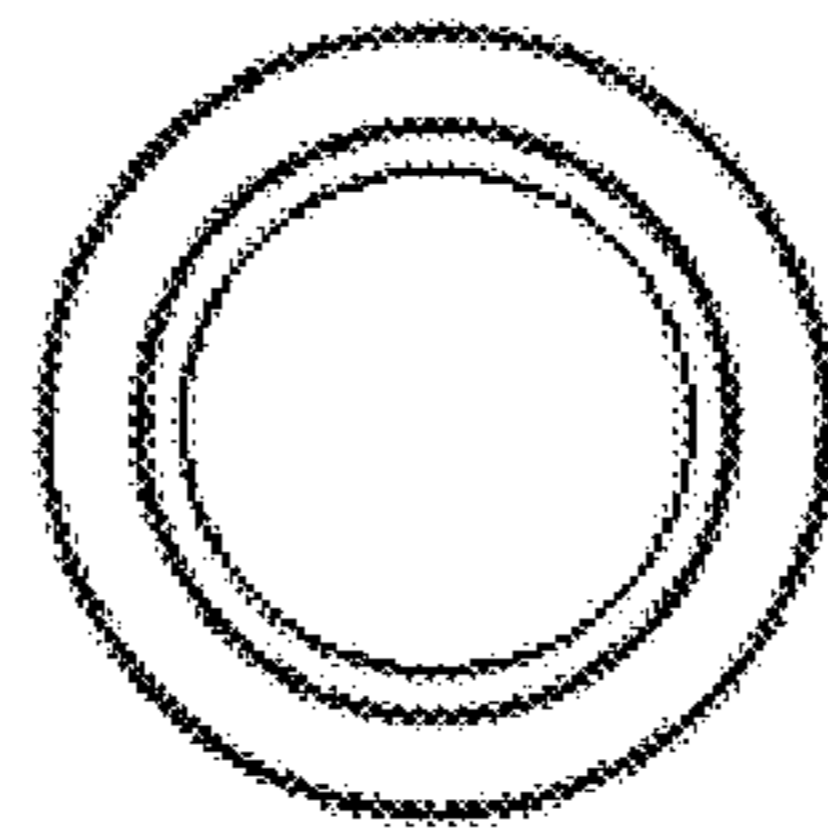


FIG. 5