



US00D888238S

(12) **United States Design Patent** (10) **Patent No.:** **US D888,238 S**
Fahl (45) **Date of Patent:** **** Jun. 23, 2020**

(54) **INSERTION AID FOR VOICE PROSTHESIS**

(71) Applicant: **Andreas Fahl**
Medizintechnik—Vertrieb GmbH,
Cologne (DE)

(72) Inventor: **Andreas Fahl,** Köln (DE)

(73) Assignee: **Andreas Fahl**
Medizintechnik—Vertrieb GmbH,
Cologne (DE)

(**) Term: **15 Years**

(21) Appl. No.: **29/664,306**

(22) Filed: **Sep. 24, 2018**

(51) **LOC (12) Cl.** **24-02**

(52) **U.S. Cl.**
USPC **D24/141**

(58) **Field of Classification Search**
USPC D24/133, 128, 130, 135, 137, 140, 141,
D24/143, 146, 147, 150, 152, 162, 176,
(Continued)

(56) **References Cited**

U.S. PATENT DOCUMENTS

D266,871 S * 11/1982 Child 119/14.19
5,064,433 A 11/1991 Blom et al.
(Continued)

FOREIGN PATENT DOCUMENTS

DE 69607767 T2 8/2000
DE 202008000670 U1 4/2008
(Continued)

OTHER PUBLICATIONS

Registered Community Design 03737774 in the name of ATOS
Medical AB, [http://oami.europa.eu/RCOnline/RequestManager?](http://oami.europa.eu/RCOnline/RequestManager?print=1)
print=1, printed Jan. 6, 2012.

(Continued)

Primary Examiner — Wan Laymon

Assistant Examiner — Mark Booker

(74) *Attorney, Agent, or Firm* — Dinsmore & Shohl LLP;
Thomas Anderson; Jeremy J. Justice

(57) **CLAIM**

The ornamental design for an insertion aid for voice prosthesis, as shown and described.

DESCRIPTION

FIG. 1 is a top plan view of the insertion aid for voice prosthesis showing a first embodiment of my new design; FIG. 2 is a perspective view of the top, front and side thereof;

FIG. 3 is a side elevational view thereof, the other side is a mirror image;

FIG. 4 is a bottom plan view thereof;

FIG. 5 is an enlarged front elevational view thereof;

FIG. 6 is a top plan view of the insertion aid for voice prosthesis showing a second embodiment of my new design; FIG. 7 is a perspective view of the top, front and side thereof;

FIG. 8 is a side elevational view thereof, the other side is a mirror image;

FIG. 9 is a bottom plan view thereof;

FIG. 10 is an enlarged front elevational view thereof;

FIG. 11 is a top plan view of the insertion aid for voice prosthesis showing a third embodiment of my new design; FIG. 12 is a perspective view of the top, front and side thereof;

FIG. 13 is a side elevational view thereof, the other side is a mirror image;

FIG. 14 is a bottom plan view thereof;

FIG. 15 is an enlarged front elevational view thereof;

FIG. 16 is a top plan view of the insertion aid for voice prosthesis showing a fourth embodiment of my new design; FIG. 17 is a perspective view of the top, front and side thereof;

FIG. 18 is a side elevational view thereof, the other side is a mirror image;

FIG. 19 is a bottom plan view thereof; and,

FIG. 20 is an enlarged front elevational view thereof.

(Continued)



It should be appreciated that any broken lines are merely illustrative of the environment of the design, and not part of the claimed design.

1 Claim, 8 Drawing Sheets

(58) **Field of Classification Search**

USPC D24/184, 222; D7/678, 696; D8/89-90, D8/98; D15/139; D28/57; 433/140, 433/141; 600/201, 210, 214, 217, 235, 600/237, 240

CPC . A61B 17/02; A61B 17/0206; A61B 17/0218; A61M 16/0465; A61M 16/04; A61M 16/0463; A61M 25/09041

See application file for complete search history.

(56) **References Cited**

U.S. PATENT DOCUMENTS

5,935,165 A 8/1999 Schouwenburg
5,976,151 A 11/1999 Siegbahn

D596,745 S * 7/2009 Maissami D24/152
D658,388 S 5/2012 Persson
D704,378 S * 5/2014 Zreik D24/152
D708,323 S * 7/2014 Reyes D24/133
D847,337 S * 4/2019 Fahl D24/141
2009/0043386 A1 2/2009 Persson
2009/0259310 A1 10/2009 Blom
2011/0093071 A1 4/2011 Blom
2020/0009359 A1* 1/2020 Iyunni A61M 25/0014

FOREIGN PATENT DOCUMENTS

DE 202012003429 U1 5/2012
EP 0868291 B1 4/2000

OTHER PUBLICATIONS

Provox Brush, excerpt from an ATOS catalogue, p. 113.
ATOS Catalogue (Home Care Accessories Catalog), ATOS Medical AB, 200907A, Ref 7802.
Instruction for Use "Provox 2", p. 22.

* cited by examiner

FIG. 1

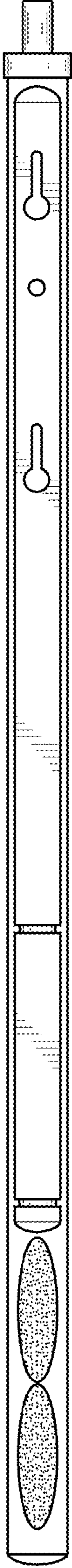


FIG. 3

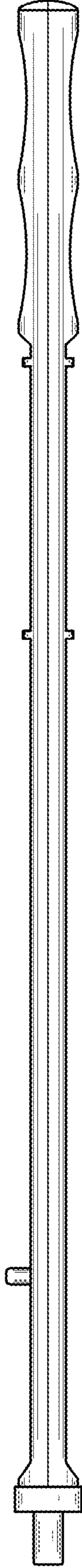


FIG. 4



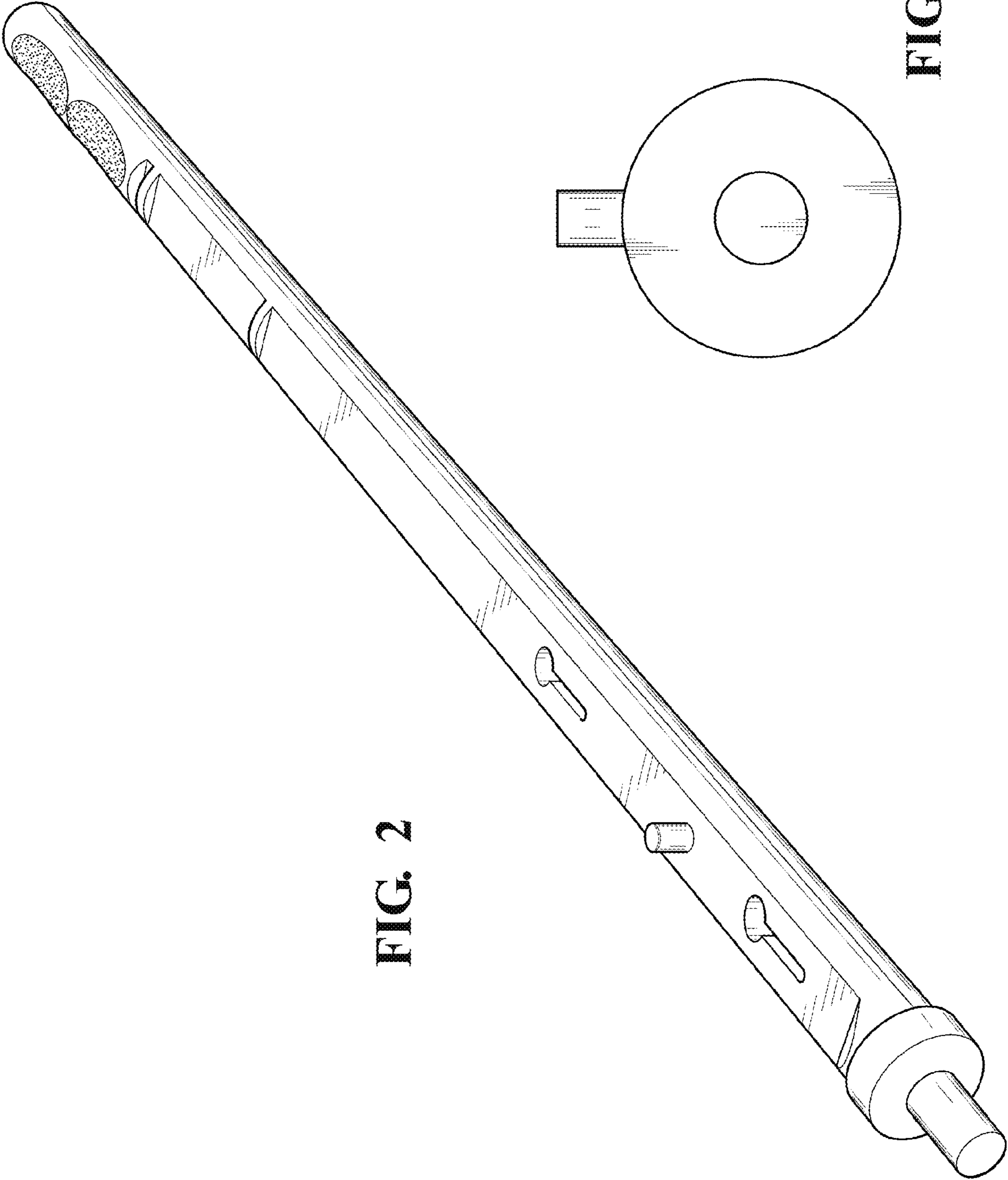


FIG. 2

FIG. 5

FIG. 6

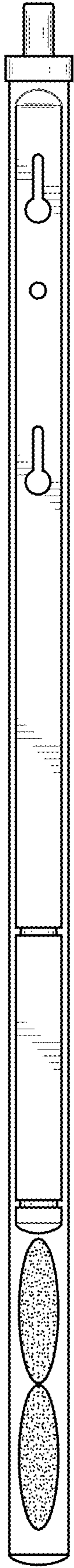


FIG. 8

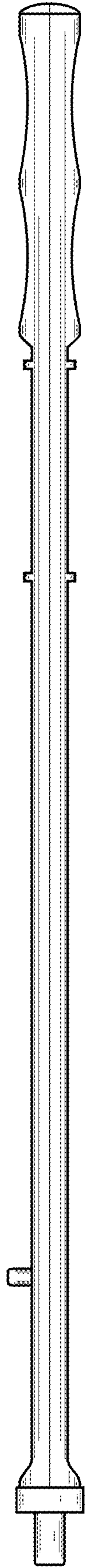
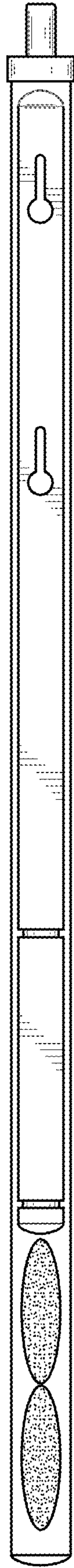


FIG. 9



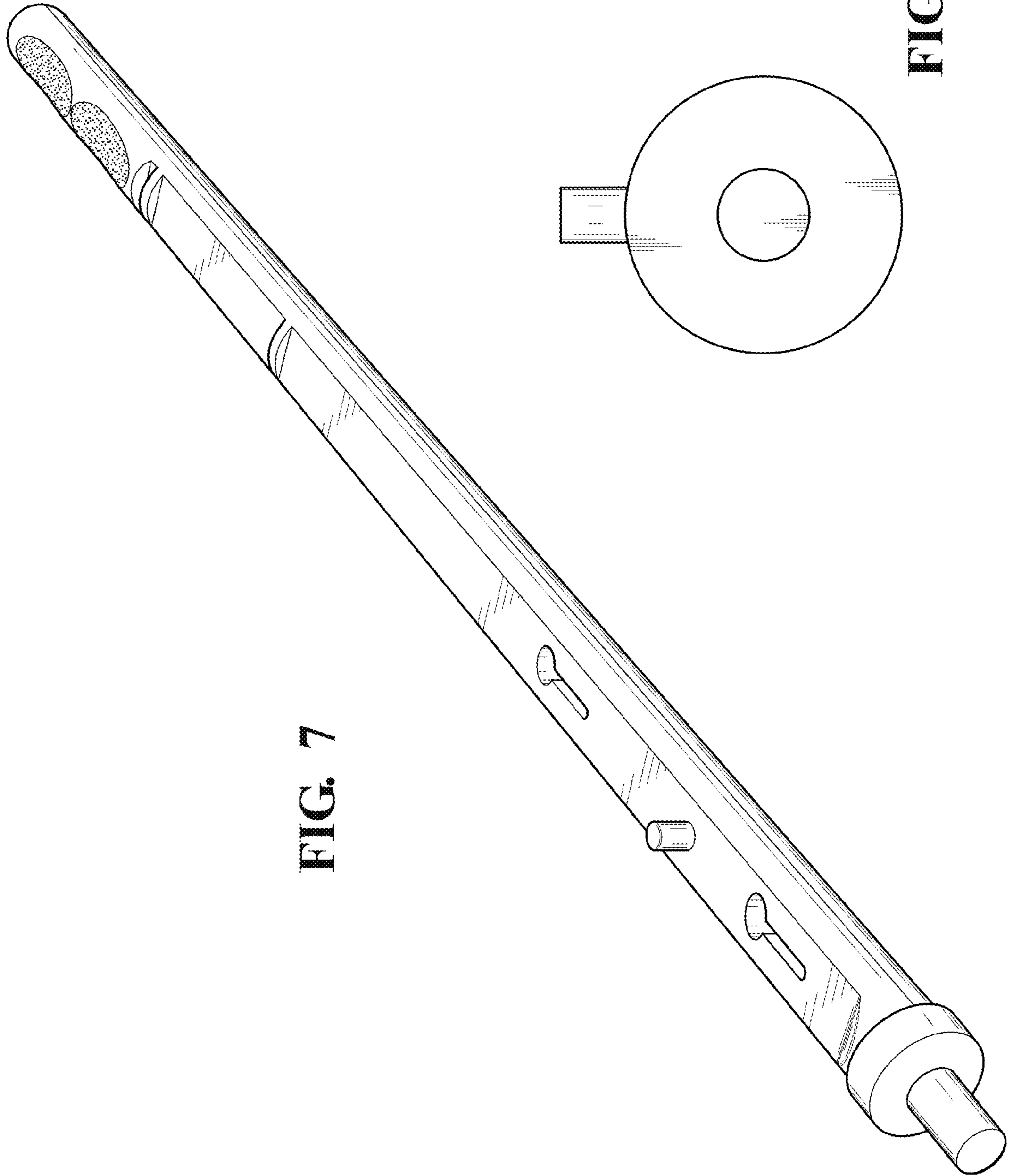


FIG. 7

FIG. 10

FIG. 11

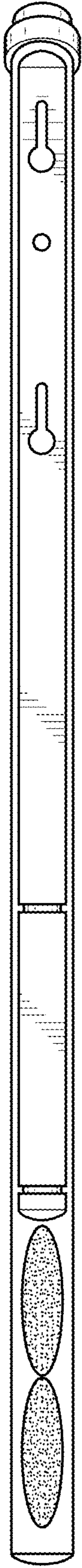


FIG. 13

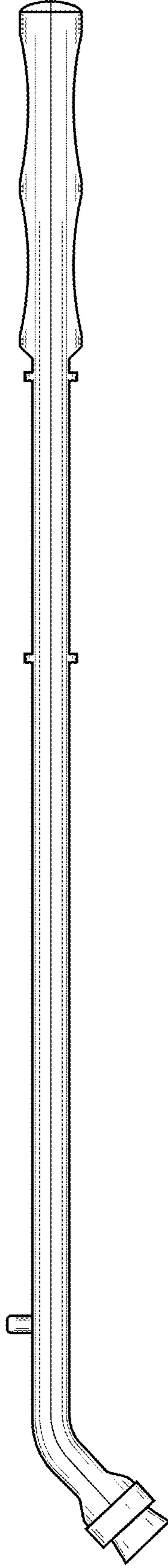
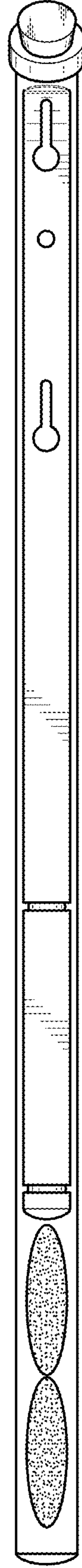


FIG. 14



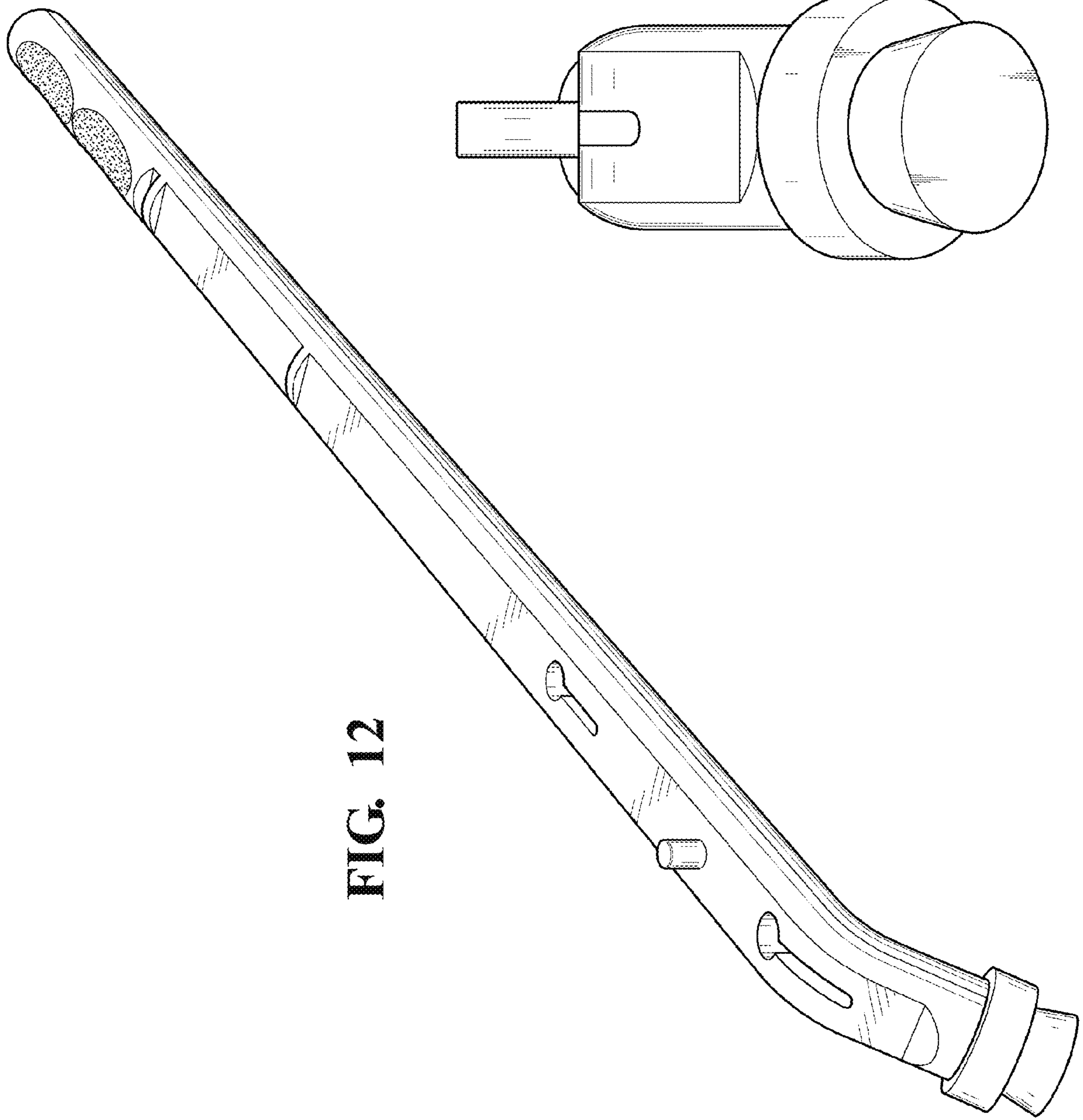


FIG. 12

FIG. 15

FIG. 16

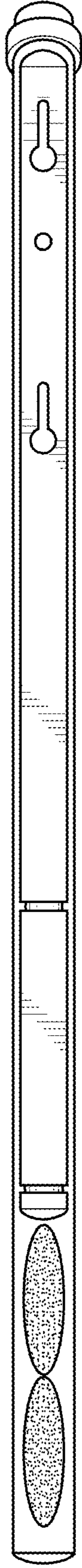


FIG. 18

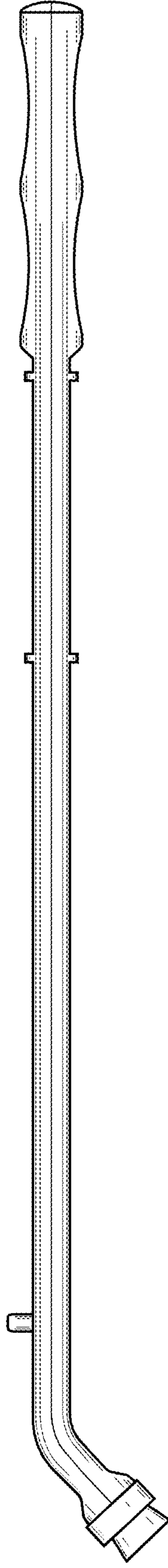
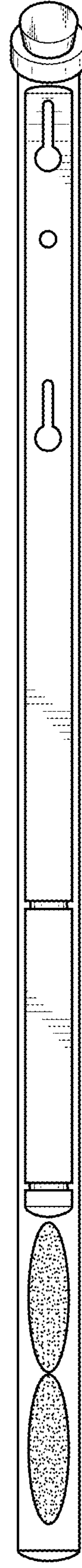


FIG. 19



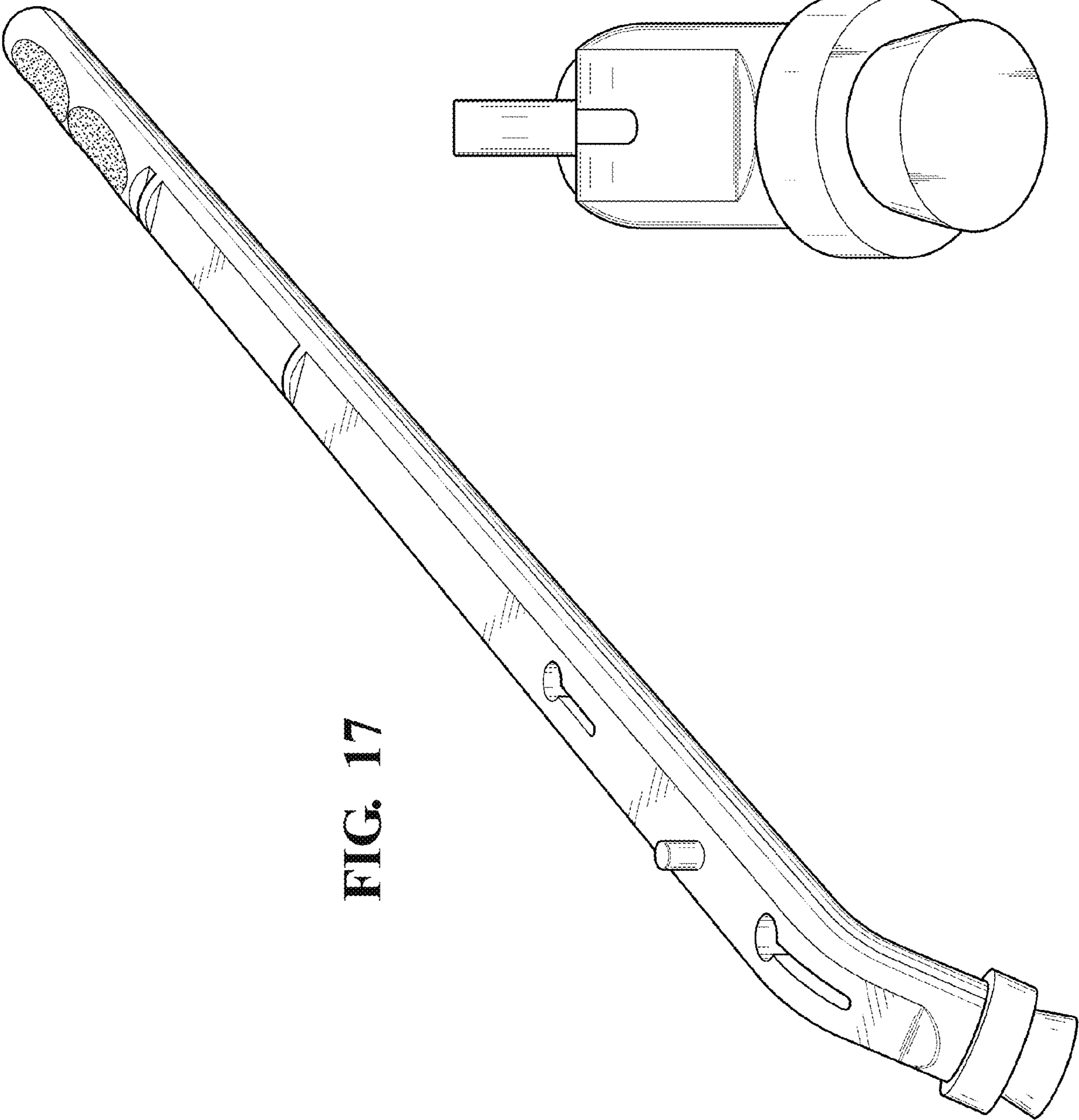


FIG. 17

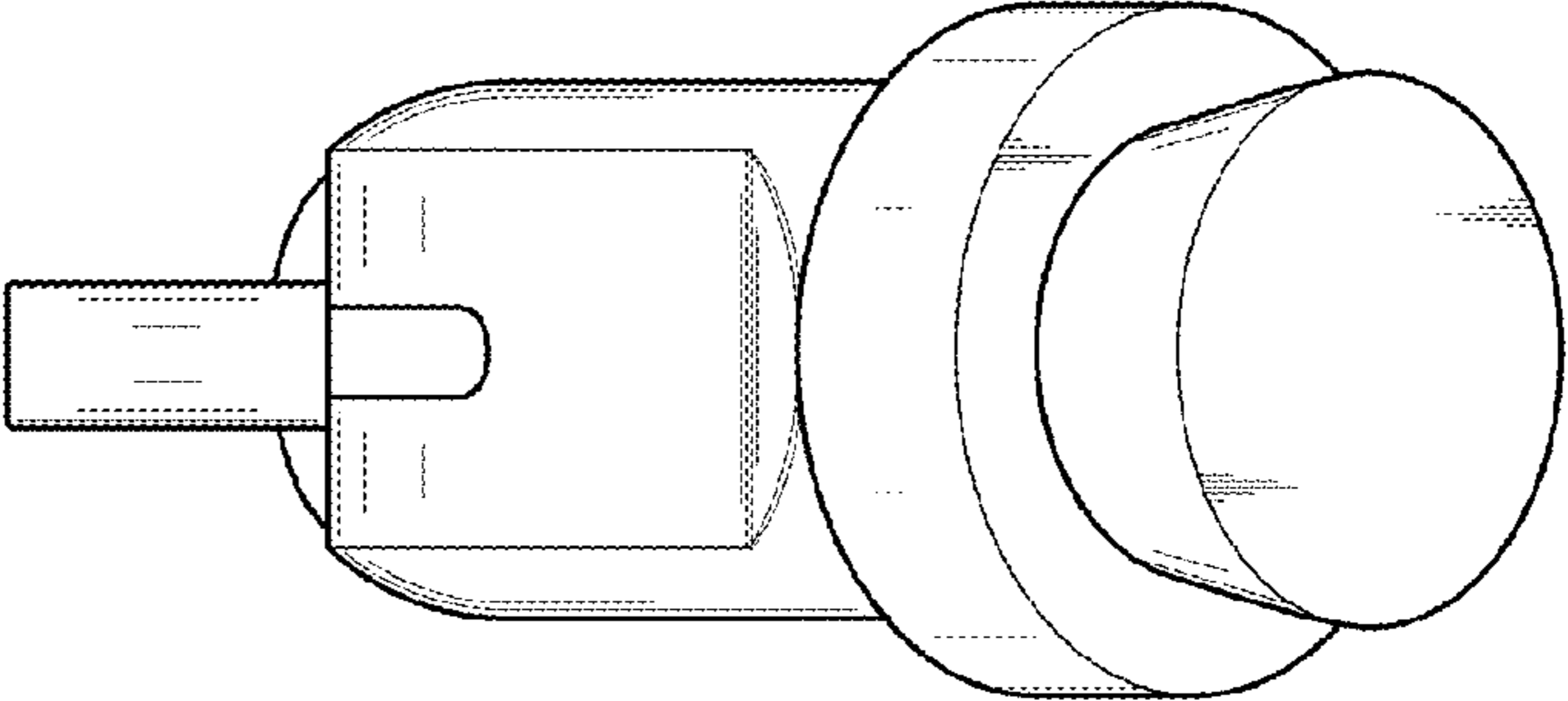


FIG. 20