



US00D888235S

(12) **United States Design Patent** (10) **Patent No.:** **US D888,235 S**
Shuart et al. (45) **Date of Patent:** **** Jun. 23, 2020**

(54) **TIP PROTECTOR** 7,115,114 B2 * 10/2006 Caizza A61M 5/3216
604/240
(71) Applicant: **Devicor Medical Products, Inc.,** D545,448 S * 6/2007 Eriksson D24/224
Cincinnati, OH (US) D630,733 S * 1/2011 Ahlgren D24/130
D638,729 S * 5/2011 Beaupre D10/78
(72) Inventors: **David Shuart,** Mason, OH (US); **Mark** D680,226 S * 4/2013 Motadel D24/222
A. Graham, Maineville, OH (US) D687,563 S * 8/2013 Tamura D24/222
D692,134 S * 10/2013 Lee-Sepsick D24/146
D748,777 S * 2/2016 Uenishi D24/130
(73) Assignee: **Devicor Medical Products, Inc.,** D772,407 S * 11/2016 Zhang D24/133
Cincinnati, OH (US) D772,411 S * 11/2016 Heath D24/146
(Continued)

(**) Term: **15 Years**

(21) Appl. No.: **29/661,934**
(22) Filed: **Aug. 31, 2018**
(51) **LOC (12) Cl.** **24-01**
(52) **U.S. Cl.**
USPC **D24/130**
(58) **Field of Classification Search**
USPC D24/127-131, 112-114, 133, 186;
606/181, 185; 604/264, 523-528, 272,
604/187, 158, 164.01-164.11, 181, 184,
604/227; 600/101, 139, 143;
128/200.24, 207.14, 207.15
CPC A61M 39/1011; F16L 37/0841; F16L
2201/20; F16L 2201/60
See application file for complete search history.

(56) **References Cited**

U.S. PATENT DOCUMENTS

D246,380 S * 11/1977 Boothby D24/222
D274,651 S * 7/1984 De Vaughn D24/112
D286,570 S * 11/1986 Williams D24/112
D300,561 S * 4/1989 Asa D24/112
4,964,854 A * 10/1990 Luther A61M 5/3273
604/166.01
5,013,305 A * 5/1991 Opie A61M 5/3202
604/192
D416,625 S * 11/1999 Torti D24/222
D468,832 S * 1/2003 Petrek D24/222

OTHER PUBLICATIONS

Chinese Office Action, First Notification of Office Action, dated Dec. 21, 2018 in Application No. 201830490302.0, 1 pg.

Primary Examiner — David G Muller
Assistant Examiner — Nathan M Johnston
(74) *Attorney, Agent, or Firm* — Frost Brown Todd LLC

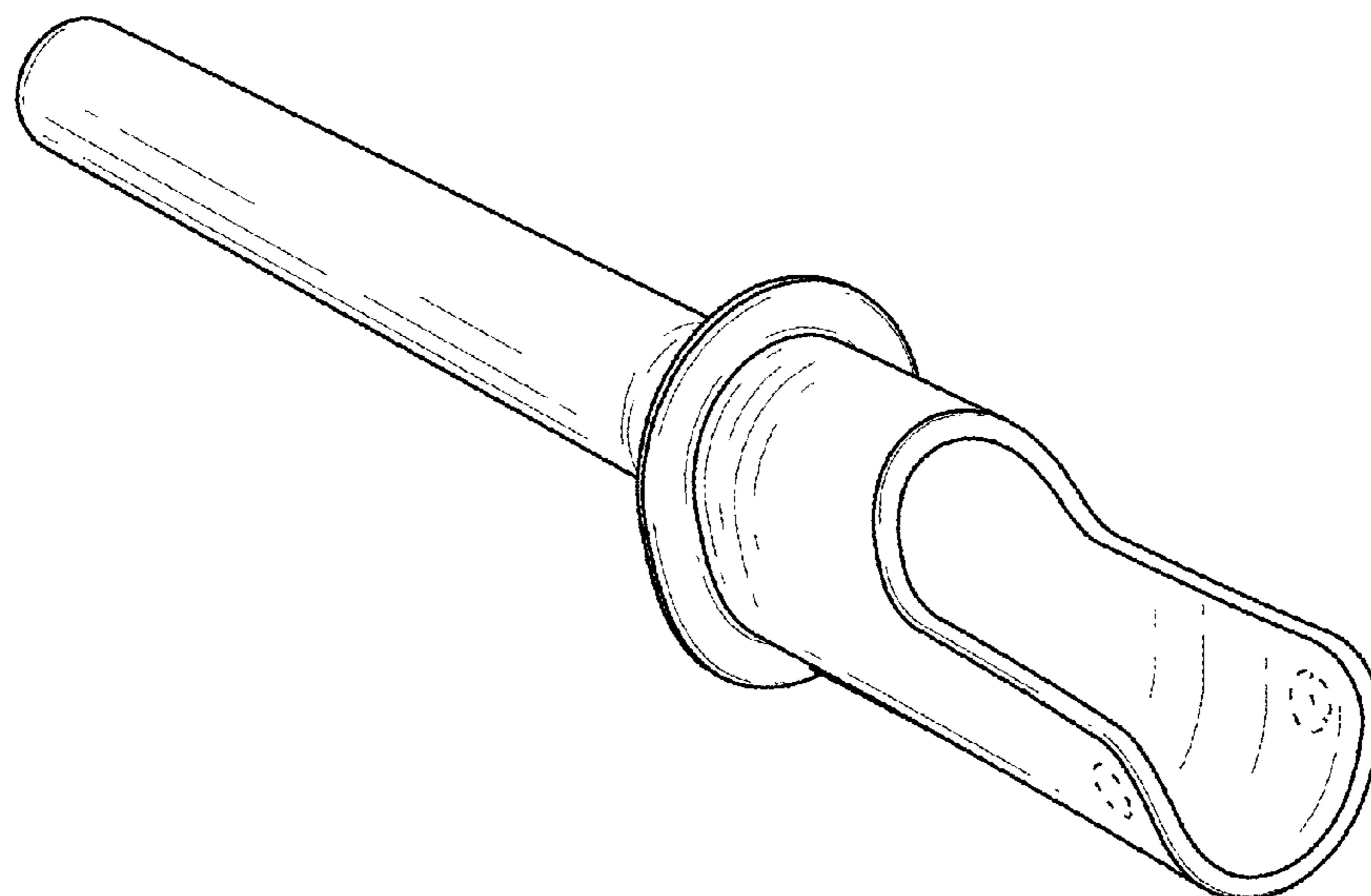
(57) **CLAIM**

The ornamental design for a tip protector, as shown and described.

DESCRIPTION

FIG. 1 is a top perspective view of a tip protector, showing our new design;
FIG. 2 is a bottom perspective view thereof;
FIG. 3 is a front elevational view thereof;
FIG. 4 is a rear elevational view thereof;
FIG. 5 is a left elevational view thereof;
FIG. 6 is a right elevational view thereof;
FIG. 7 is a top plan view thereof; and,
FIG. 8 is a bottom plan view thereof.
The dashed lines immediately adjacent to the shaded areas in the figures represent the boundaries of the claimed design. The dashed lines in the figures illustrate the portions of the design that form no part of the claimed design. None of the broken lines form any part of the claimed design.

1 Claim, 5 Drawing Sheets



(56)

References Cited

U.S. PATENT DOCUMENTS

10,028,730	B2	7/2018	Fiebig et al.	
10,064,607	B2	9/2018	Keller et al.	
D831,213	S *	10/2018	Kuun	D24/147
D846,143	S *	4/2019	Ito	D24/222
D864,381	S *	10/2019	Miles	D24/112
2009/0143767	A1 *	6/2009	Fentress	A61M 25/0009 604/523
2009/0157007	A1 *	6/2009	McKinnon	A61M 25/0014 604/177
2013/0030390	A1 *	1/2013	Bonnadier	A61M 5/158 604/272
2013/0158433	A1 *	6/2013	Wingler	A61B 1/32 600/585
2015/0327842	A1	11/2015	Rhad et al.	
2016/0166331	A1	6/2016	Leimbach et al.	
2017/0311935	A1	11/2017	Choung et al.	
2017/0312432	A1 *	11/2017	Huang	A61M 5/3293
2018/0153524	A1	6/2018	Nock et al.	
2018/0153526	A1	6/2018	Nock et al.	
2018/0153529	A1	6/2018	Nock et al.	
2018/0242959	A1	8/2018	Keller	
2018/0325500	A1	11/2018	Shuart et al.	
2018/0325501	A1	11/2018	Robinson et al.	

* cited by examiner

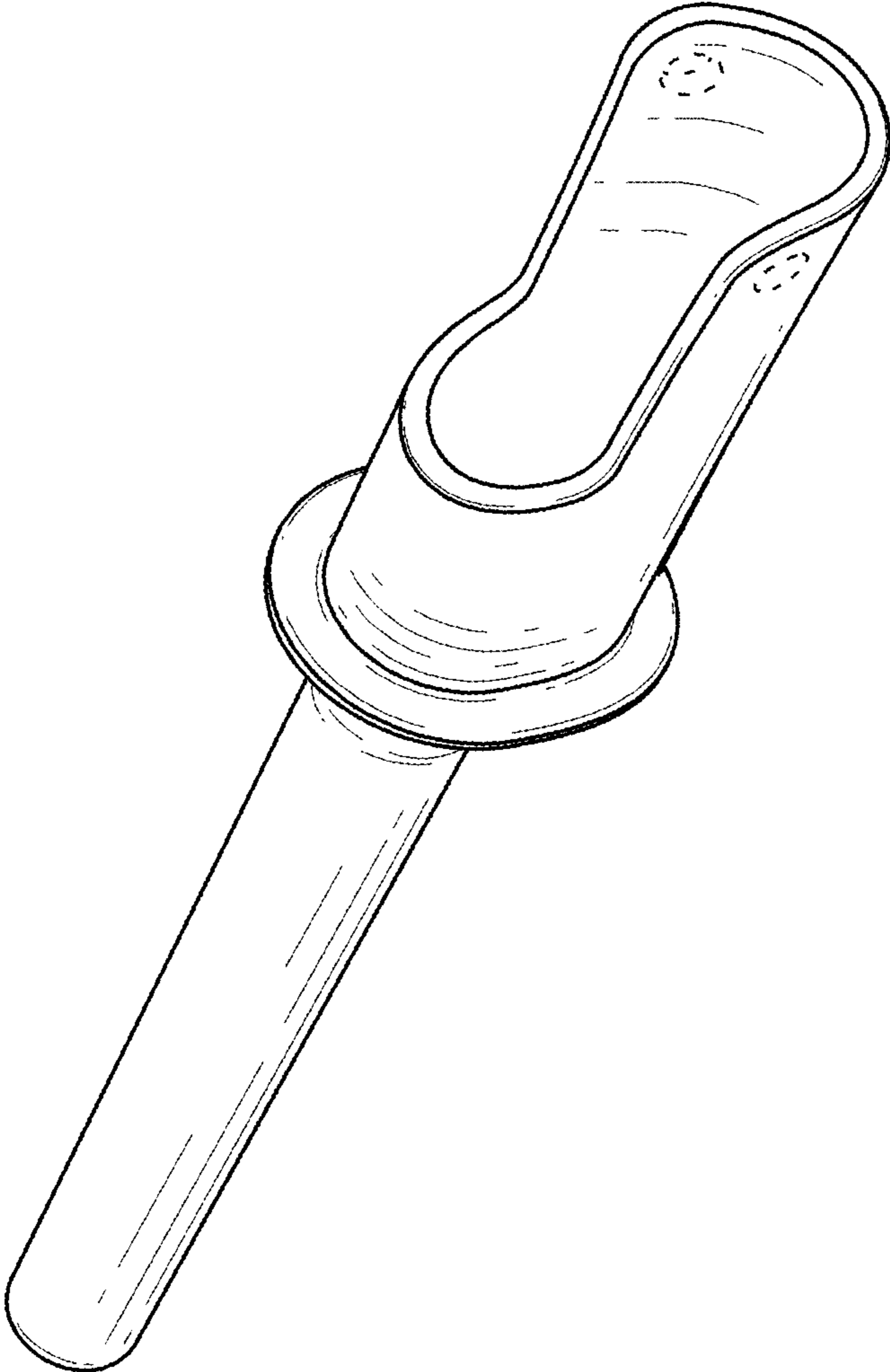


FIG. 1

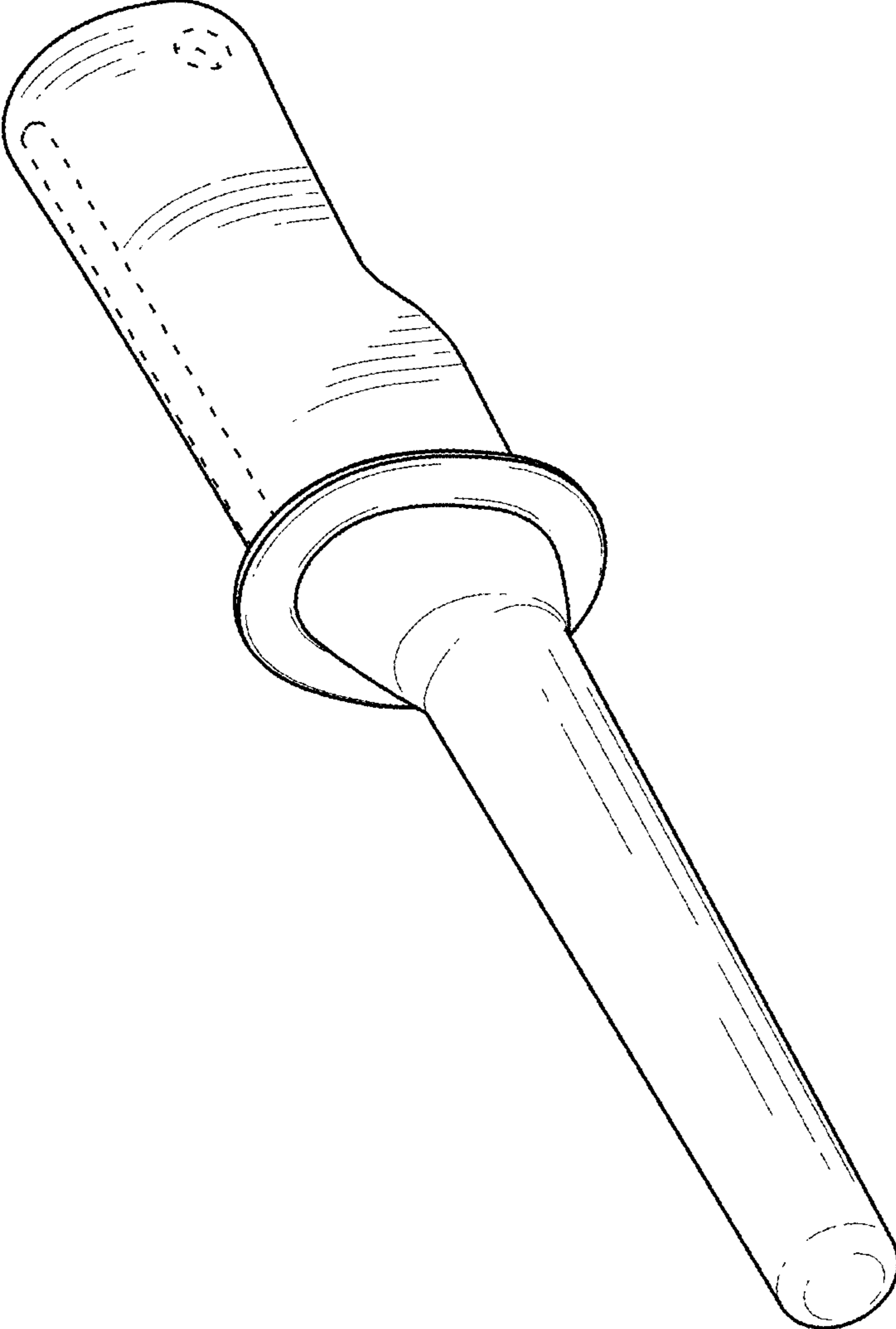


FIG. 2

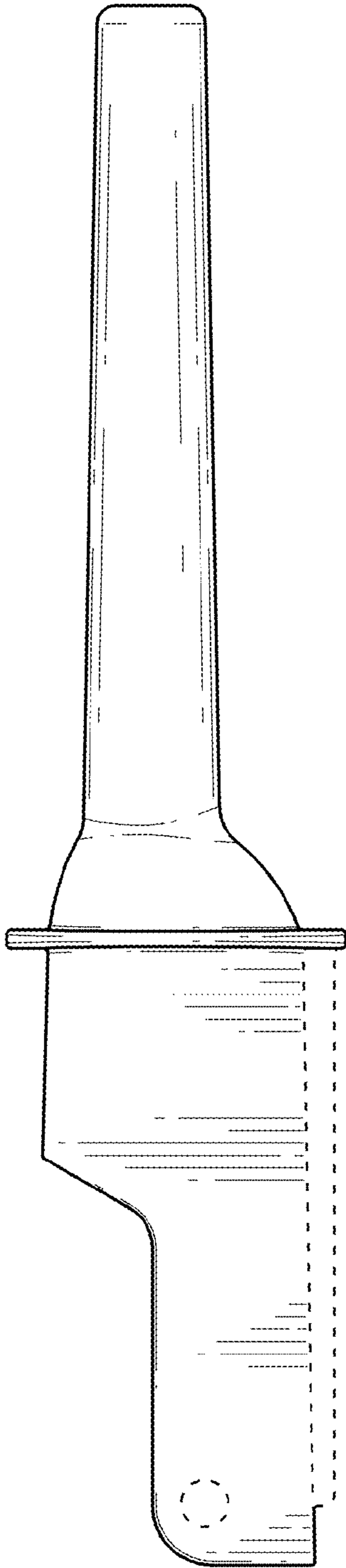


FIG. 3

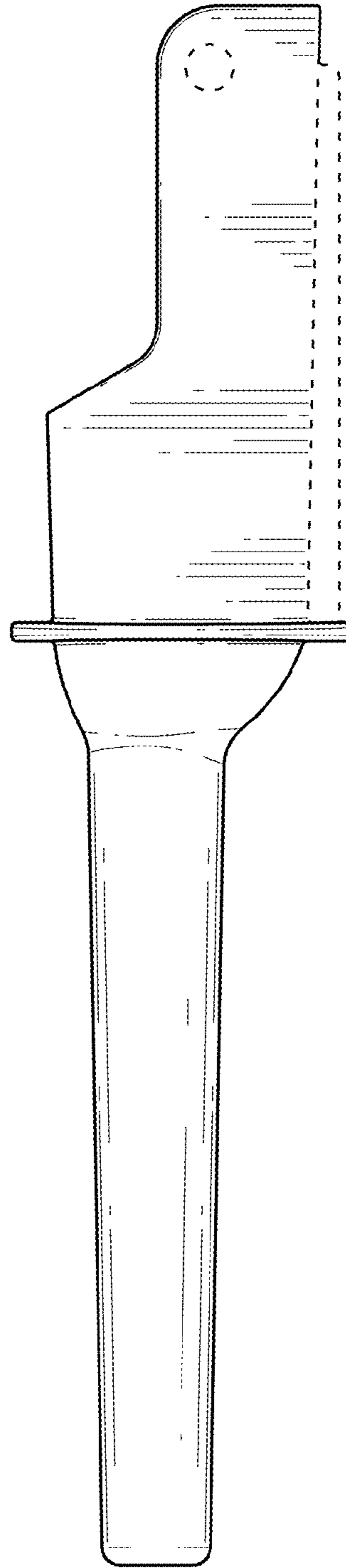


FIG. 4

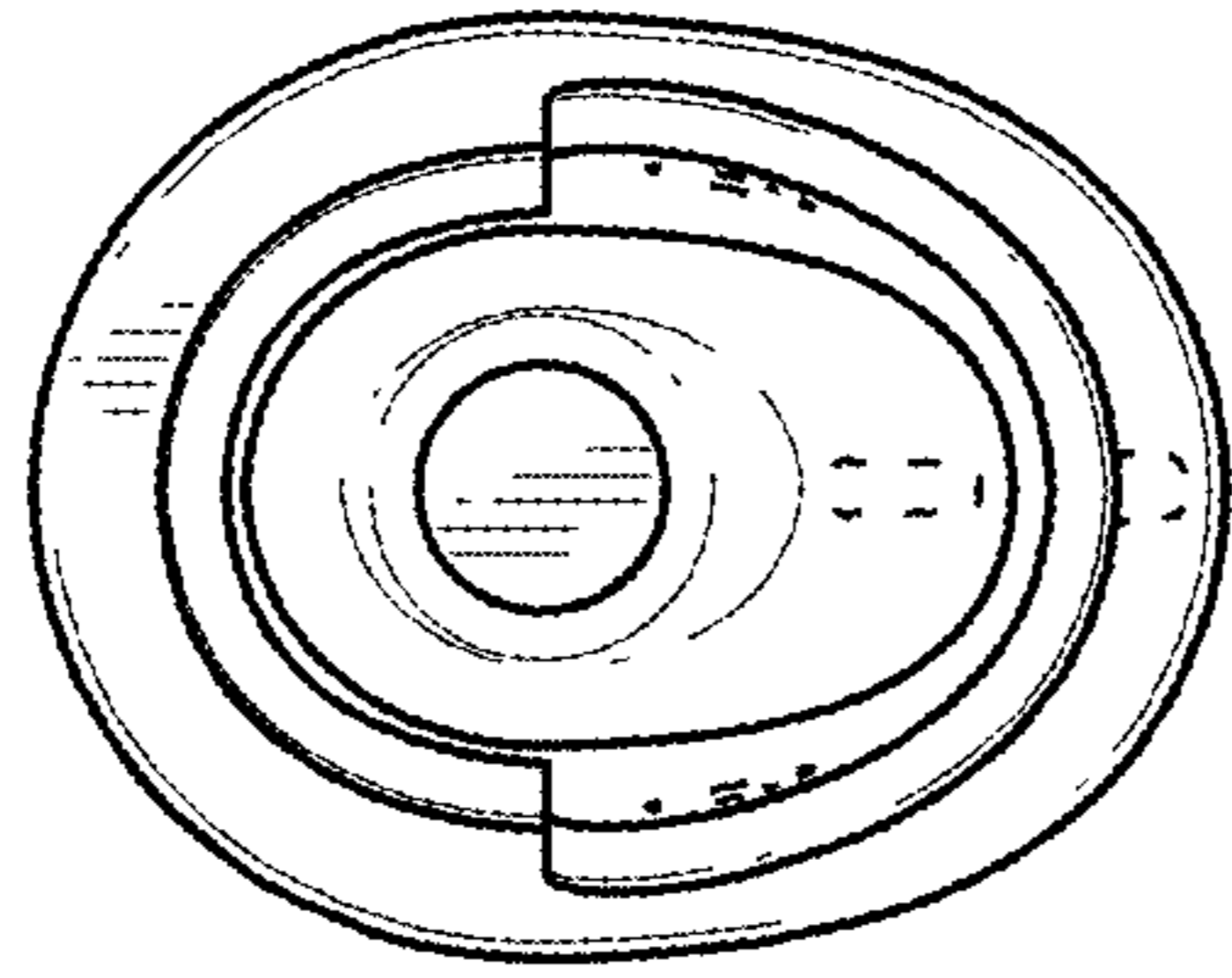


FIG. 6

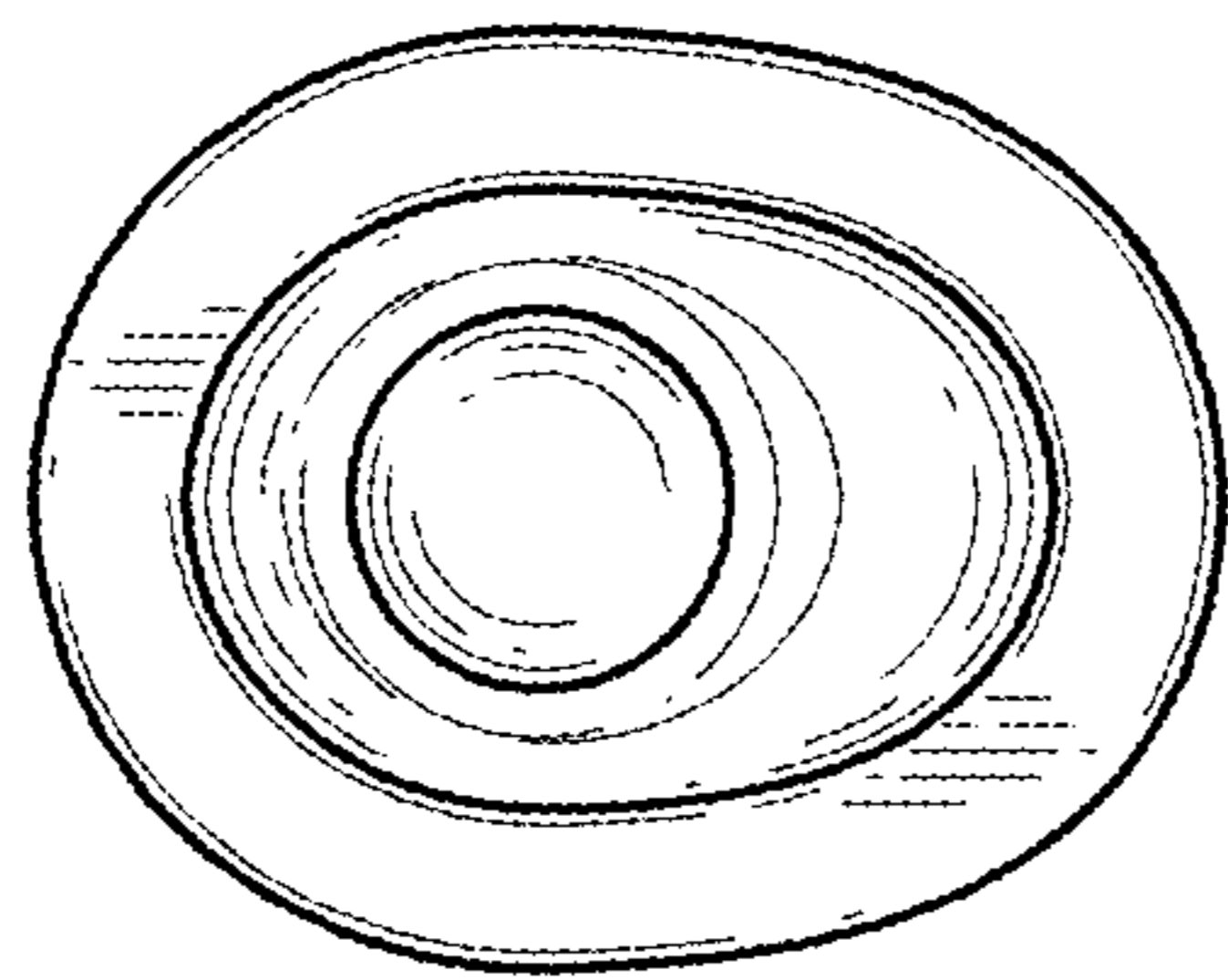


FIG. 5

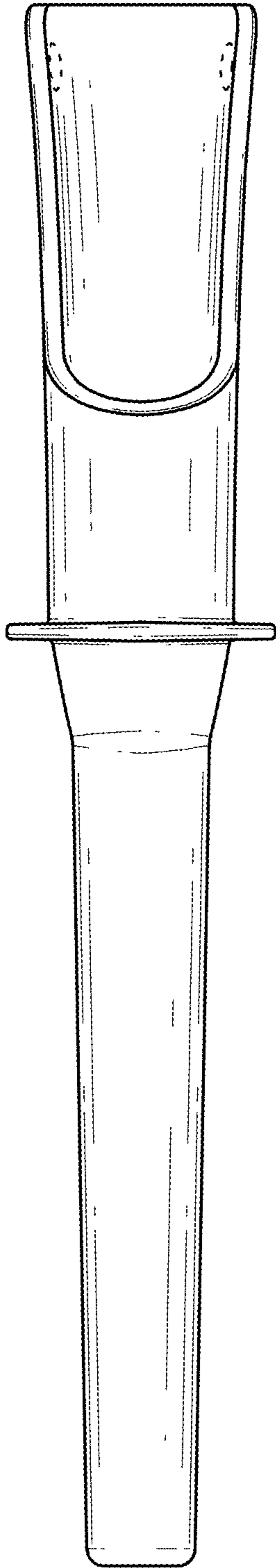


FIG. 7

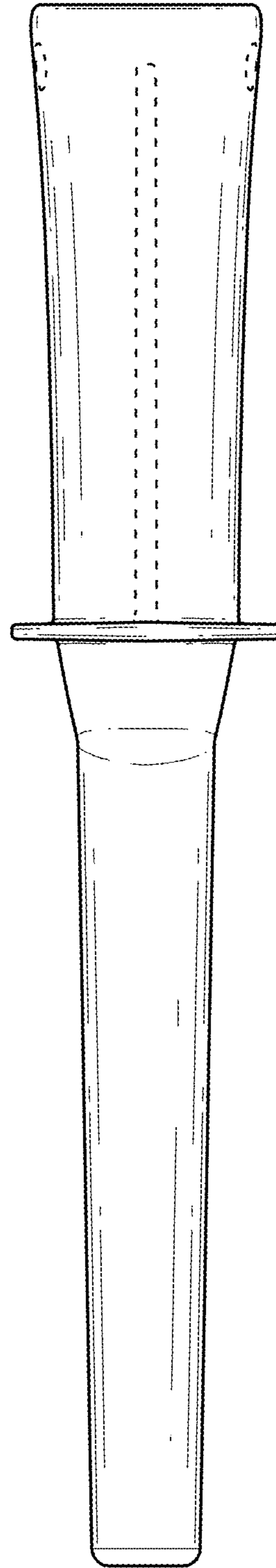


FIG. 8