



US00D888234S

(12) **United States Design Patent** (10) **Patent No.:** **US D888,234 S**  
**Gavalis et al.** (45) **Date of Patent:** **\*\* Jun. 23, 2020**

(54) **LOCKING SLEEVE**  
(71) Applicant: **HOYA Corporation**, Tokyo (JP)  
(72) Inventors: **Robb Morse Gavalis**, Westborough, MA (US); **Christopher Kadamus**, Boston, MA (US)  
(73) Assignee: **HOYA CORPORATION**, Tokyo (JP)  
(\*\*) Term: **15 Years**  
(21) Appl. No.: **29/643,317**  
(22) Filed: **Apr. 6, 2018**  
(51) **LOC (12) Cl.** ..... **24-02**  
(52) **U.S. Cl.**  
USPC ..... **D24/129**  
(58) **Field of Classification Search**  
USPC ..... D24/127–131, 112–114, 133, 186;  
606/181, 185; 604/264, 523–528, 272,  
604/187, 158, 164.01–164.11, 181, 184,  
604/227; 600/101, 139, 143;  
128/200.24, 207.14, 207.15  
CPC .. A61M 25/065; A61M 5/42; A61M 25/0612;  
A61M 25/00; A61M 39/00; A61M 27/00;  
A61M 25/0043; A61M 25/0067; A61F  
2/958  
See application file for complete search history.

(56) **References Cited**  
U.S. PATENT DOCUMENTS  
6,796,586 B2 9/2004 Werth  
7,927,271 B2 4/2011 Dimitriou et al.  
D641,467 S \* 7/2011 Amann ..... D24/129  
D644,733 S \* 9/2011 Ellis ..... D24/130  
8,460,176 B2 6/2013 McGrath  
8,603,047 B2 12/2013 Stroup  
D773,659 S \* 12/2016 Cain ..... D24/129  
D784,529 S \* 4/2017 Steele ..... D24/129  
D785,170 S \* 4/2017 Swisher ..... D24/129  
D791,724 S \* 7/2017 Becker ..... D24/129

D815,277 S \* 4/2018 Eury ..... D24/129  
D834,712 S \* 11/2018 Gulliver ..... D24/129  
D838,363 S \* 1/2019 Katagiri ..... D24/127  
D845,474 S \* 4/2019 Gloria Bello ..... D24/129  
D846,737 S \* 4/2019 Karasawa ..... D24/130  
D849,938 S \* 5/2019 Gloria Bello ..... D24/129  
D851,243 S \* 6/2019 Gloria Bello ..... D24/129  
(Continued)

**FOREIGN PATENT DOCUMENTS**

WO WO 2010/023460 A1 3/2010

**OTHER PUBLICATIONS**

U.S. Appl. No. 15/581,049; Apparatuses and Methods for Endoscopic Connection; Robb Morse Gavalis et al; filed Apr. 28, 2017.

*Primary Examiner* — David G Muller  
(74) *Attorney, Agent, or Firm* — Finnegan, Henderson, Farabow, Garrett & Dunner, LLP

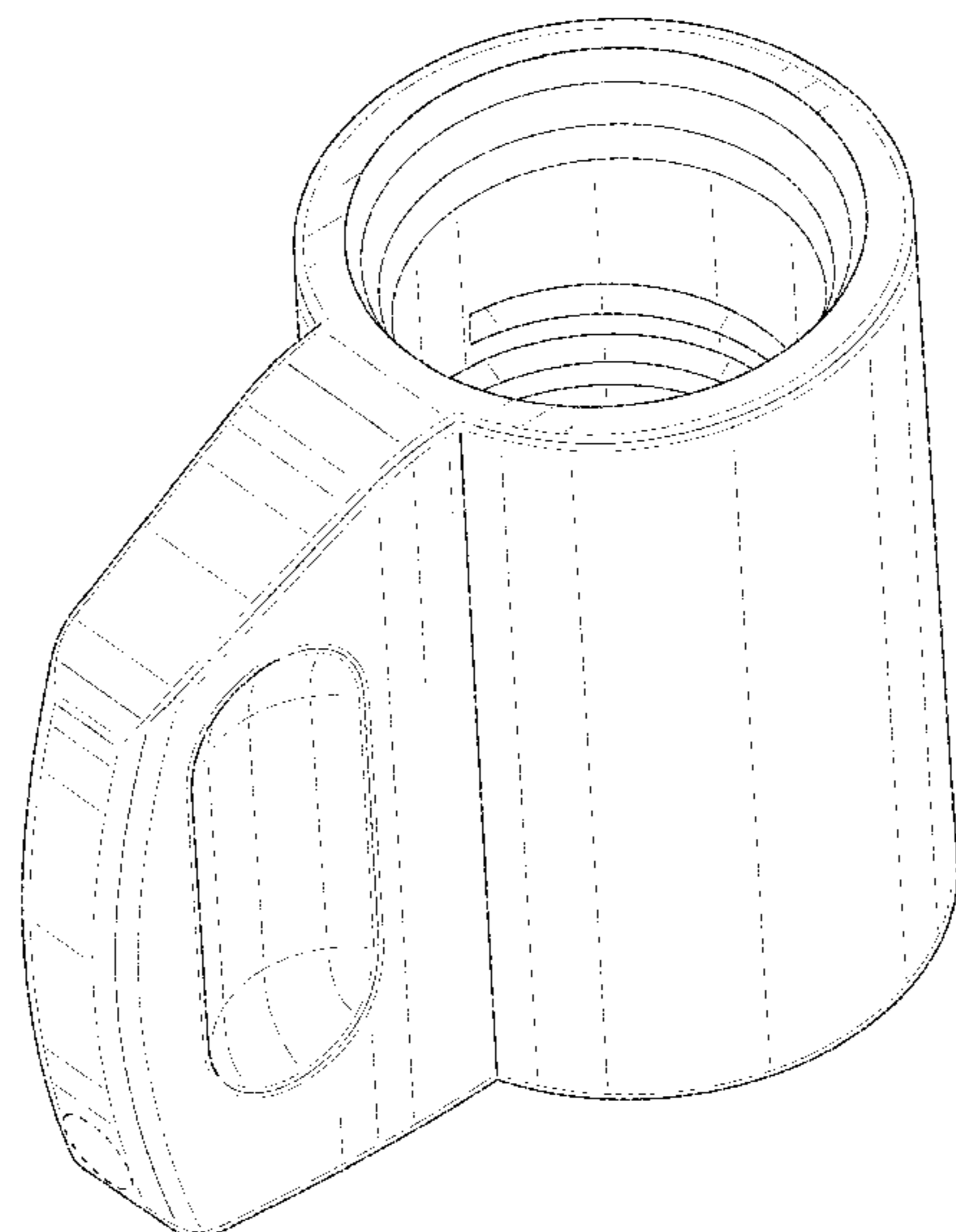
(57) **CLAIM**

The ornamental design for a locking sleeve, as shown and described.

**DESCRIPTION**

FIG. 1 is a front, right, top perspective view of a locking sleeve showing our new design;  
FIG. 2 is a rear, left, bottom perspective view thereof;  
FIG. 3 is a front, left, bottom perspective view thereof;  
FIG. 4 is a front elevation view thereof;  
FIG. 5 is a rear elevation view thereof;  
FIG. 6 is a right side view thereof, with the left side view being a mirror image thereof;  
FIG. 7 is a top plan view thereof; and,  
FIG. 8 is a bottom plan view thereof.  
The broken lines of even length shown in the drawings depict portions of the locking sleeve that form no part of the claimed design.

**1 Claim, 8 Drawing Sheets**



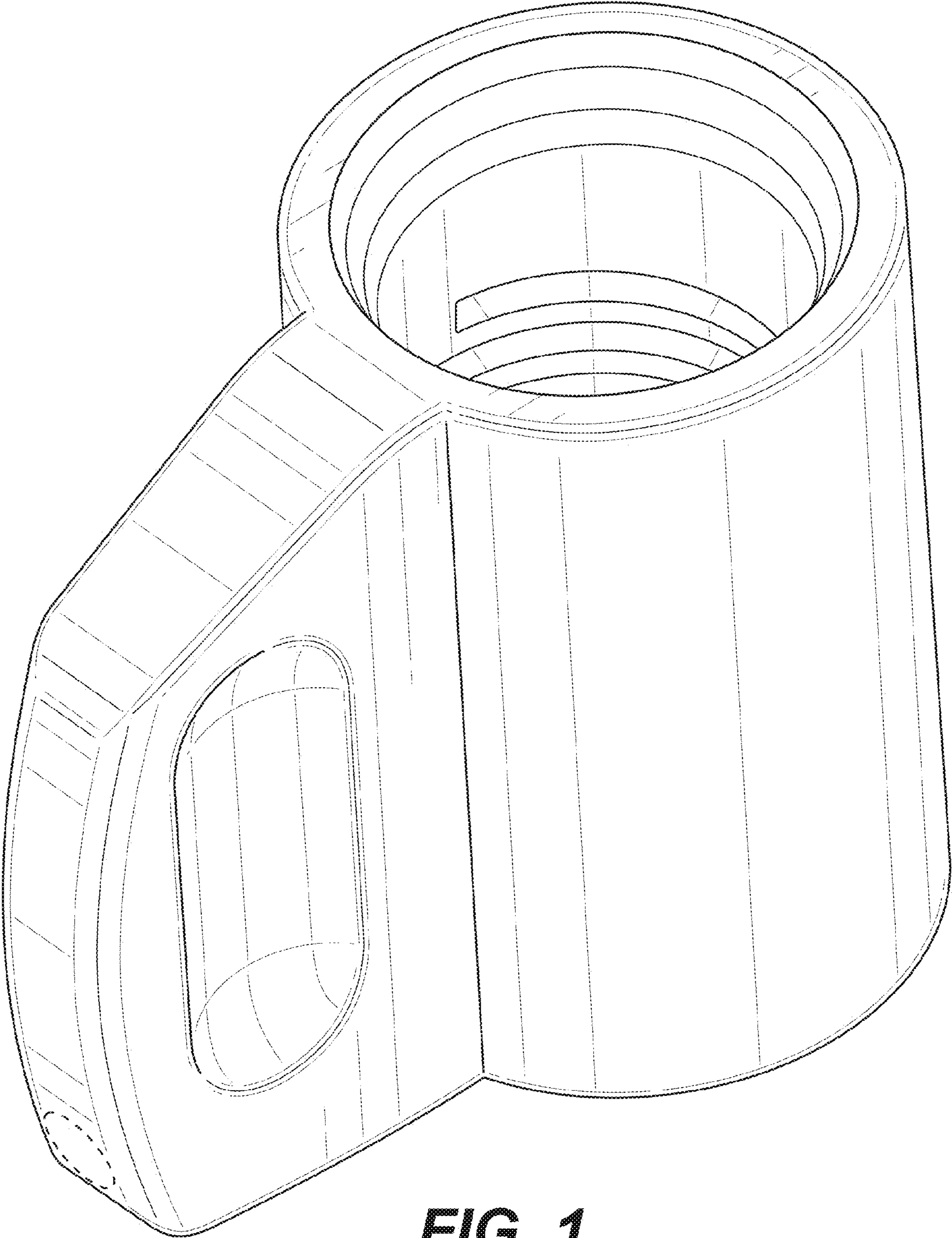
(56)

**References Cited**

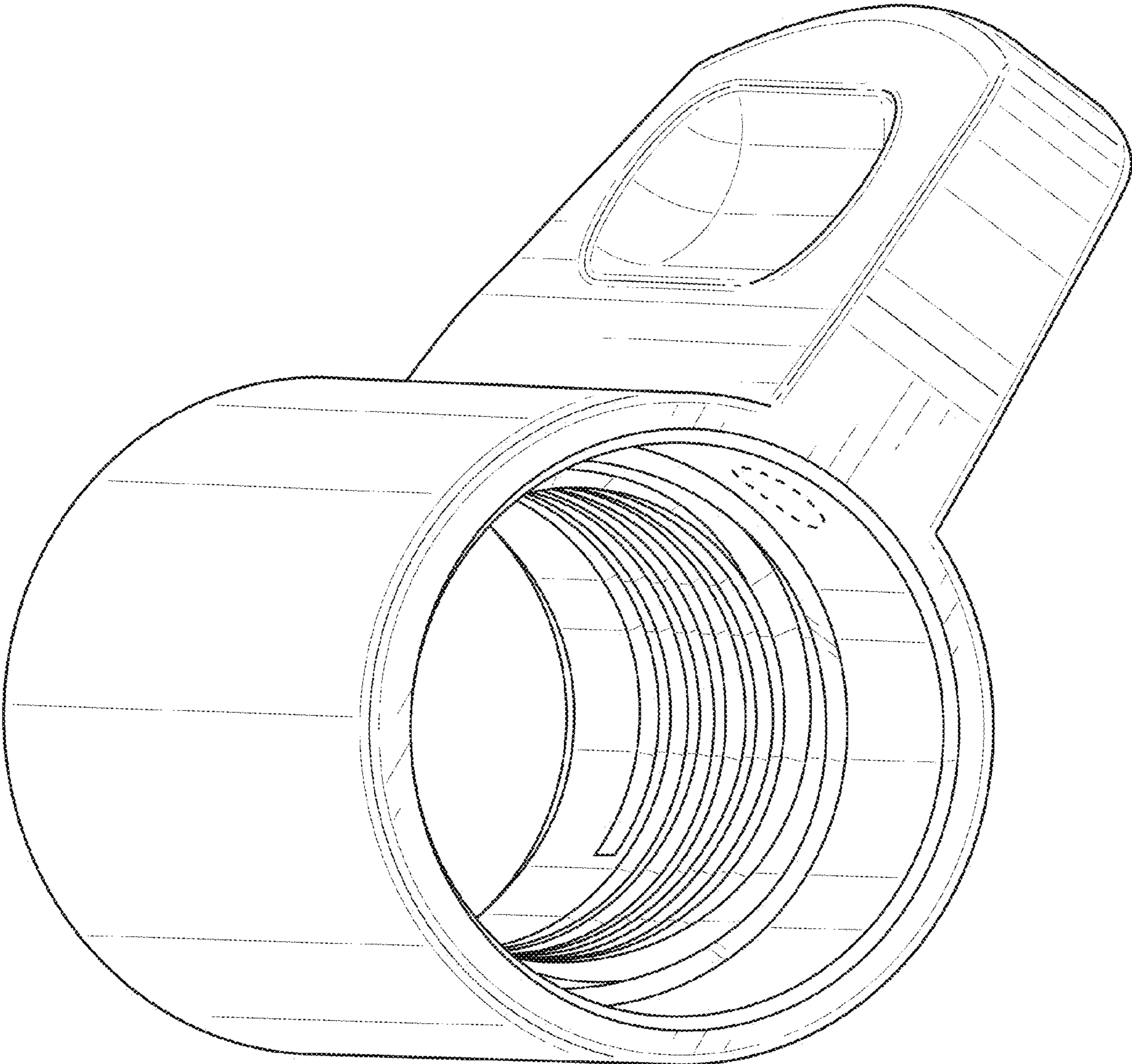
U.S. PATENT DOCUMENTS

2011/0065995 A1 3/2011 Cushner et al.  
2015/0119641 A1 4/2015 Yamada

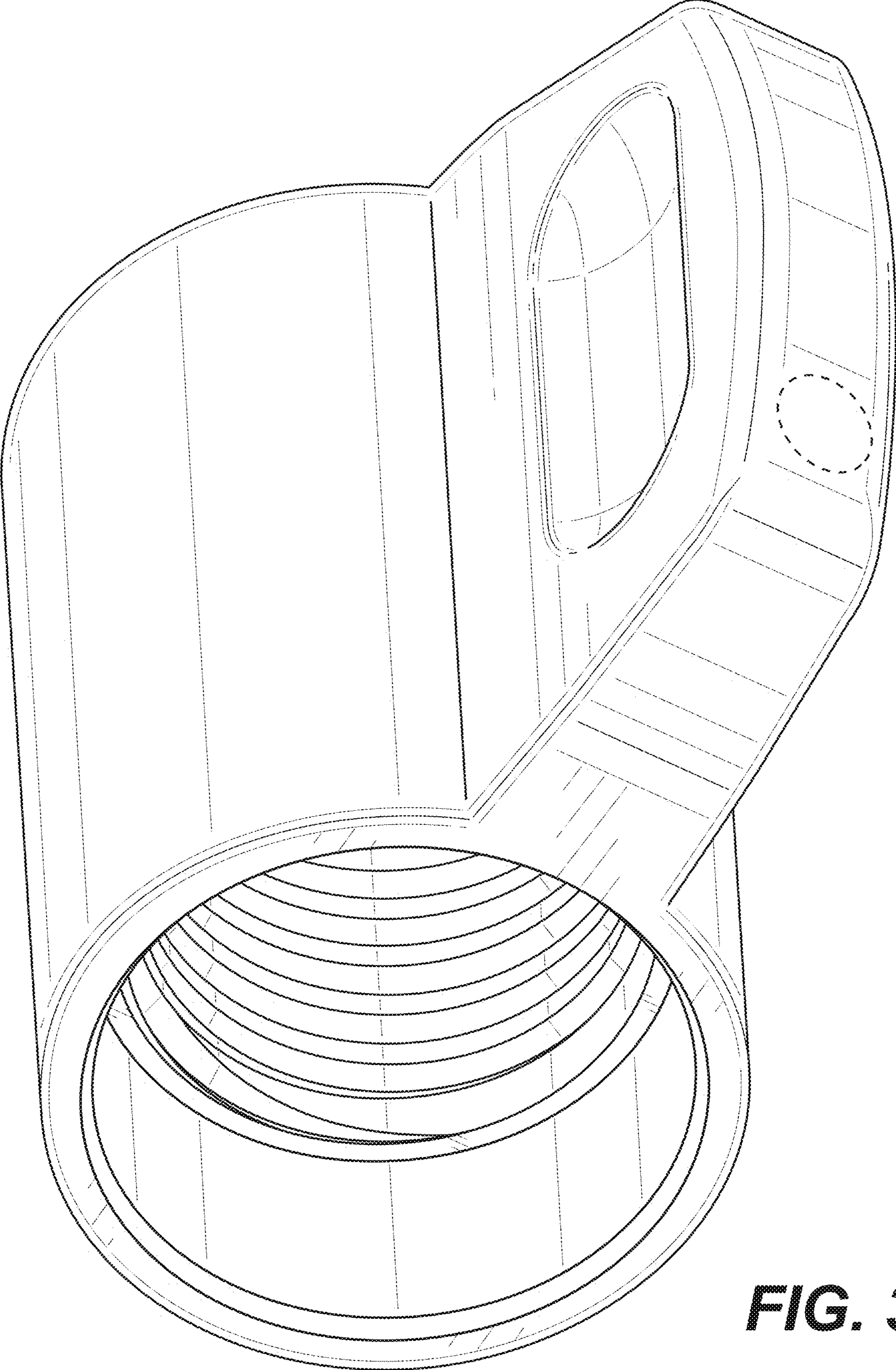
\* cited by examiner



**FIG. 1**



**FIG. 2**



**FIG. 3**

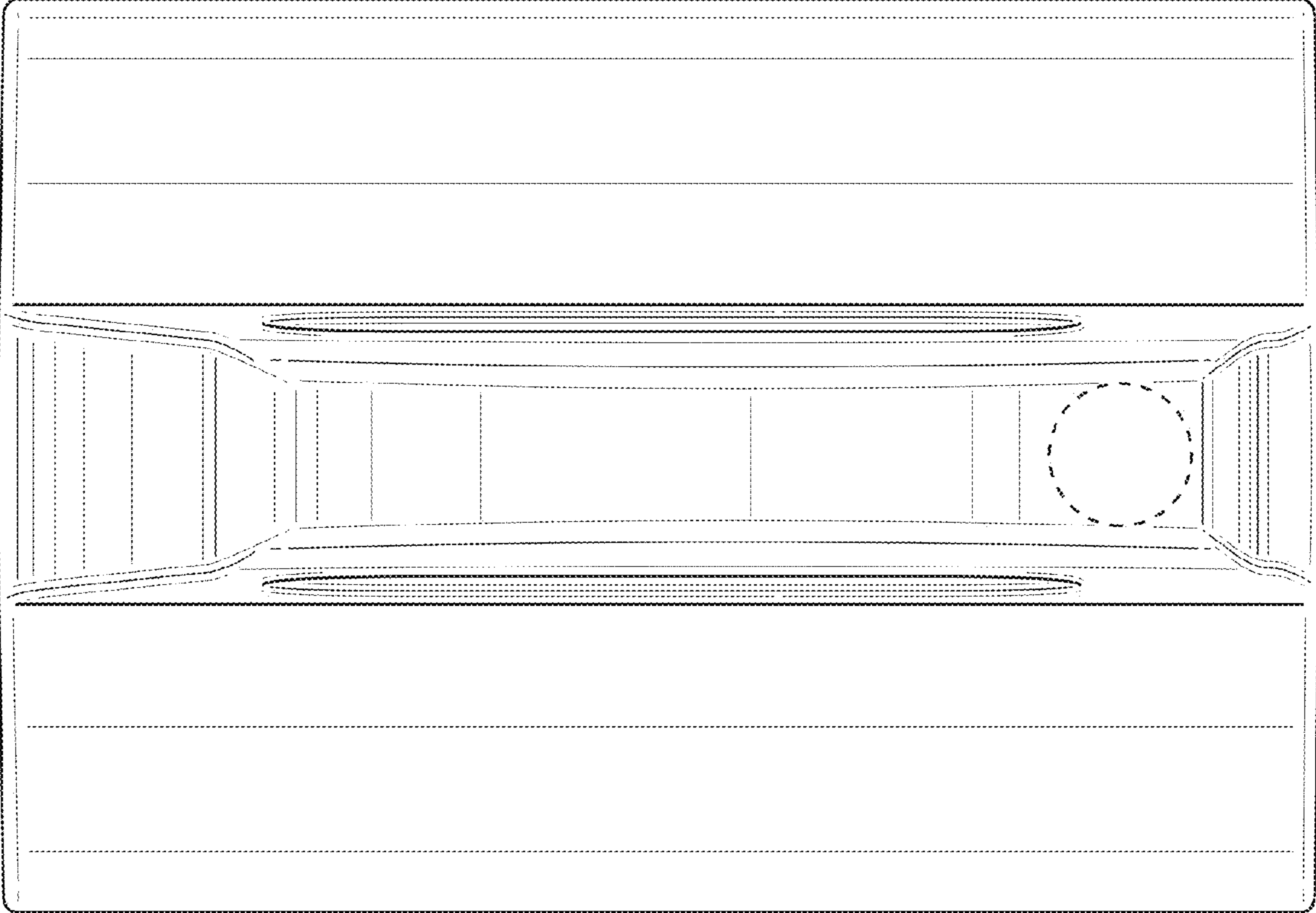
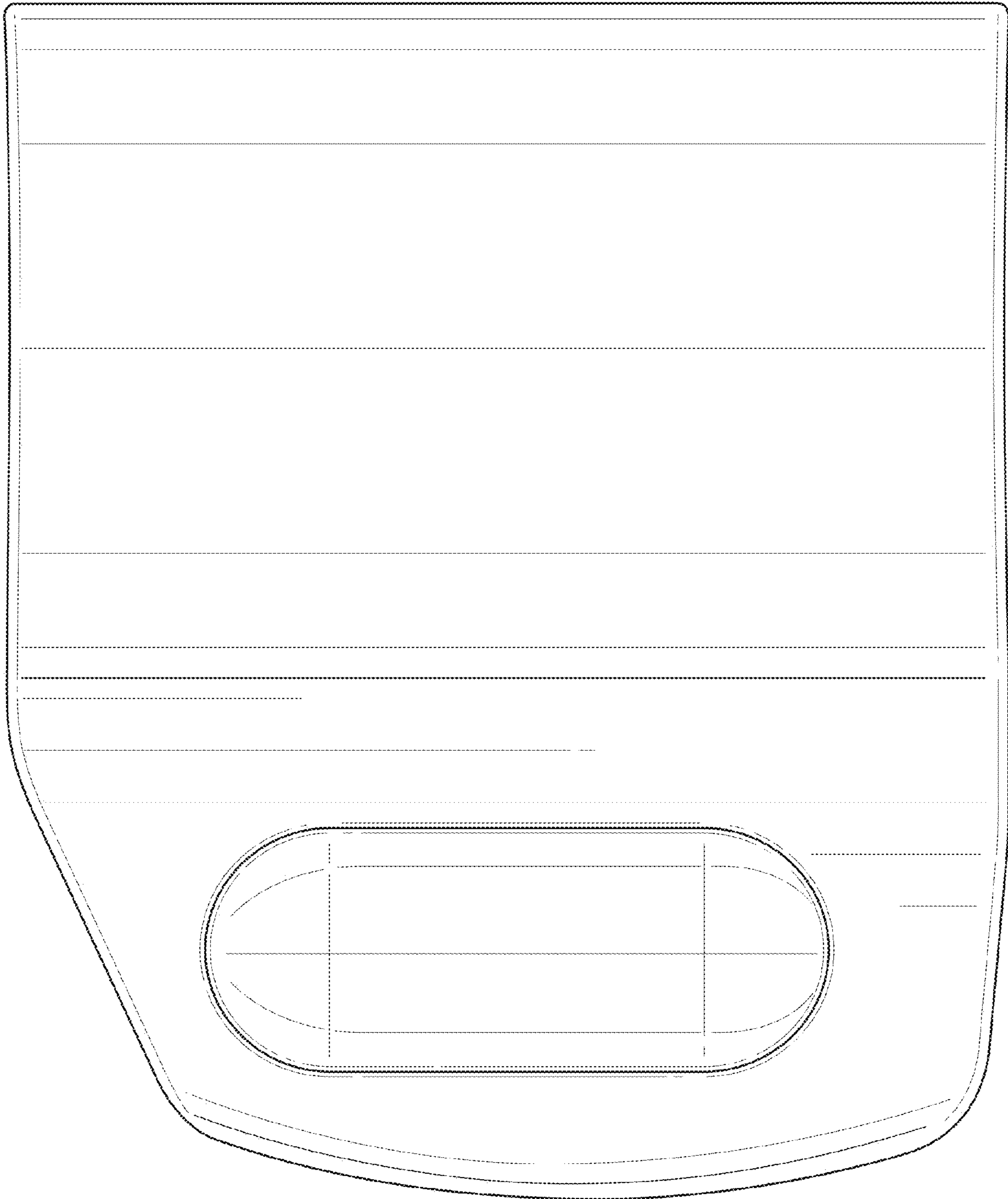


FIG. 4

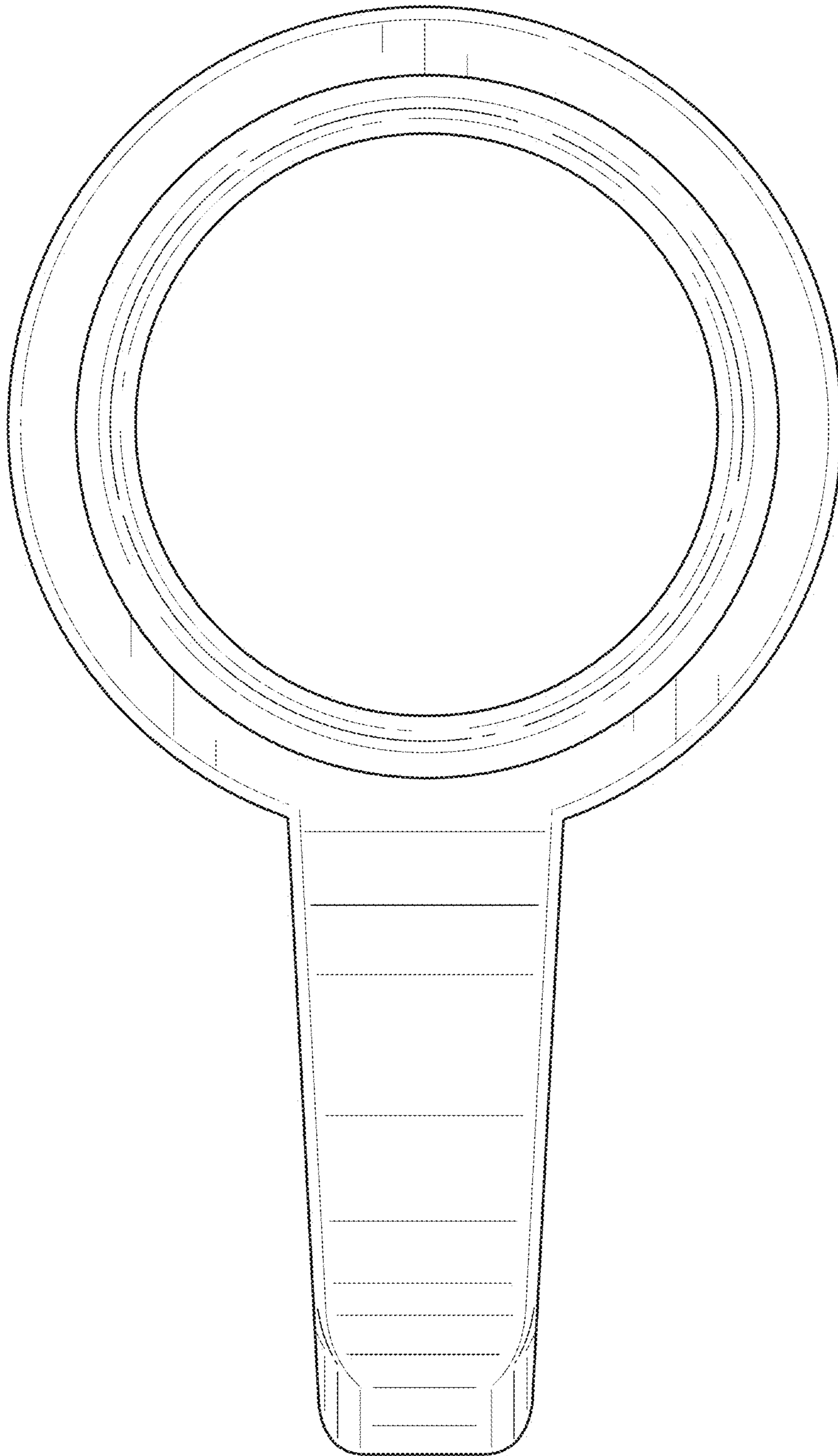


**FIG. 5**

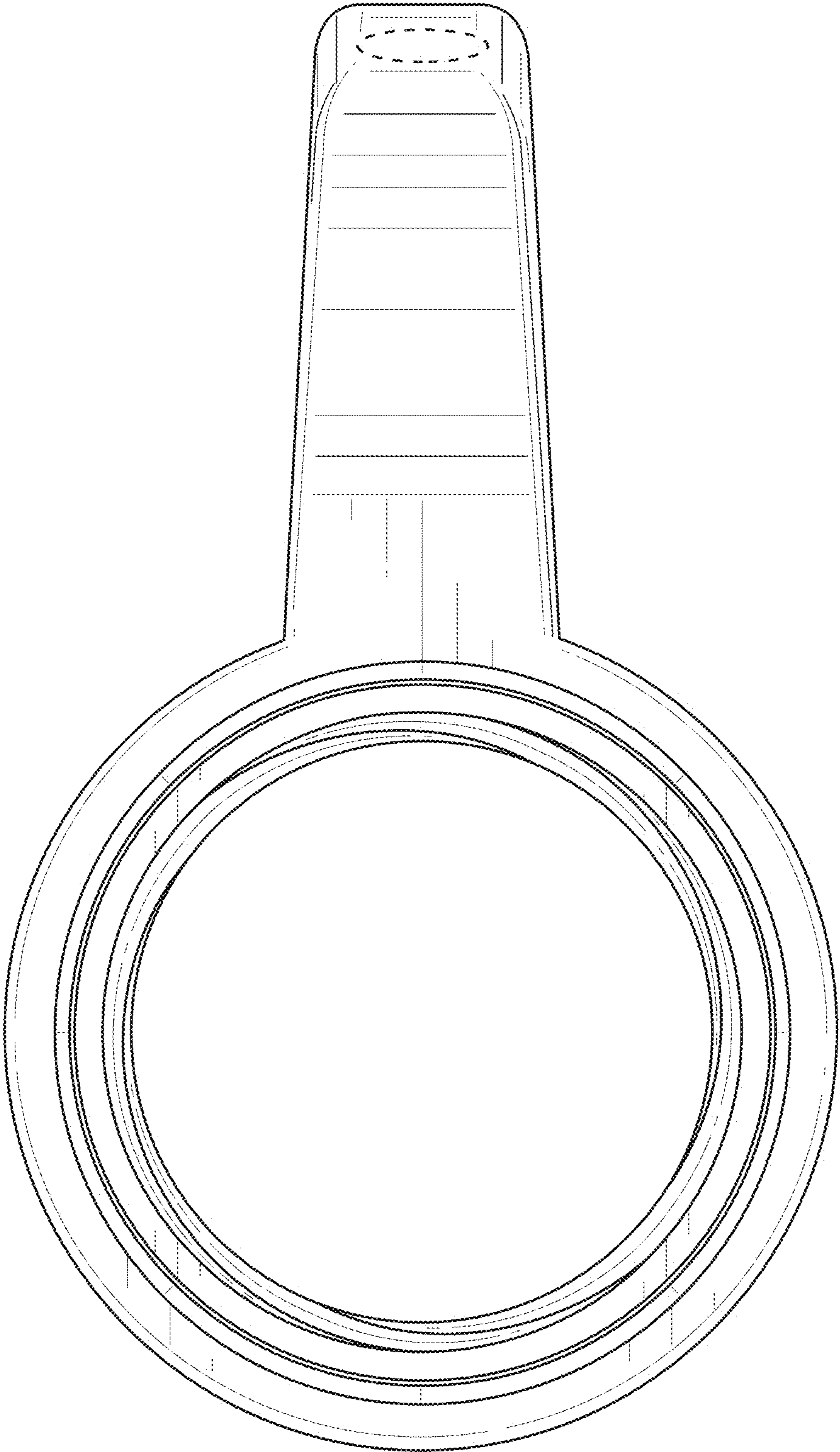


**FIG. 6**





**FIG. 7**



**FIG. 8**