



US00D888233S

(12) **United States Design Patent** (10) **Patent No.:** **US D888,233 S**
Zhang et al. (45) **Date of Patent:** **** Jun. 23, 2020**

(54) **DISPENSING SYRINGE**

(71) Applicant: **Harbin Green Biotechnology Co., Ltd.**, Harbin (CN)

(72) Inventors: **Jin Dong Zhang**, Harbin (CN); **Wei Zhang**, Harbin (CN); **Guoqing Zhao**, Harbin (CN)

(73) Assignee: **Harbin Green Biotechnology Co., Ltd.**, Harbin (CN)

(**) Term: **15 Years**

(21) Appl. No.: **29/610,720**

(22) Filed: **Jul. 14, 2017**

(51) **LOC (12) Cl.** **24-02**

(52) **U.S. Cl.**
USPC **D24/114**

(58) **Field of Classification Search**
USPC D24/127–131, 112–114, 133, 186; 606/181, 185; 604/264, 523–528, 272, 604/187, 158, 164.01–164.11, 181, 184, 604/227; 600/101, 139, 143; 128/200.24, 207.14, 207.15
CPC A61M 5/178; A61M 3/00; A61M 5/20; A61M 5/31; A61M 5/3146; A61M 5/3129; A61M 5/3148; A61M 5/315
See application file for complete search history.

D616,985 S * 6/2010 Ade D24/130
D618,347 S * 6/2010 Bradshaw D24/108
D627,065 S * 11/2010 Ade D24/130
D627,877 S * 11/2010 Schmelling D24/114
D635,249 S * 3/2011 Becker D24/114
D667,950 S * 9/2012 Hyun D24/130
8,512,279 B2 * 8/2013 Klein G01N 21/11
604/93.01
D726,305 S * 4/2015 Furukawa D24/114
D739,524 S * 9/2015 Zemel D24/114
D750,768 S * 3/2016 Davidian D24/114
D755,955 S * 5/2016 Kawamura D24/112
D771,807 S * 11/2016 Zalewski D24/130
D775,324 S * 12/2016 Larson D24/114
D780,913 S * 3/2017 Murasawa D24/130
D790,688 S * 6/2017 Choi D24/114
D797,281 S * 9/2017 Ohashi D24/130
D804,651 S * 12/2017 Loonan D24/114

* cited by examiner

Primary Examiner — David G Muller
(74) *Attorney, Agent, or Firm* — Alan D. Kamrath; Karin L. Williams; Mayer & Williams PC

(57) **CLAIM**

The ornamental design for a dispensing syringe, as shown and described.

DESCRIPTION

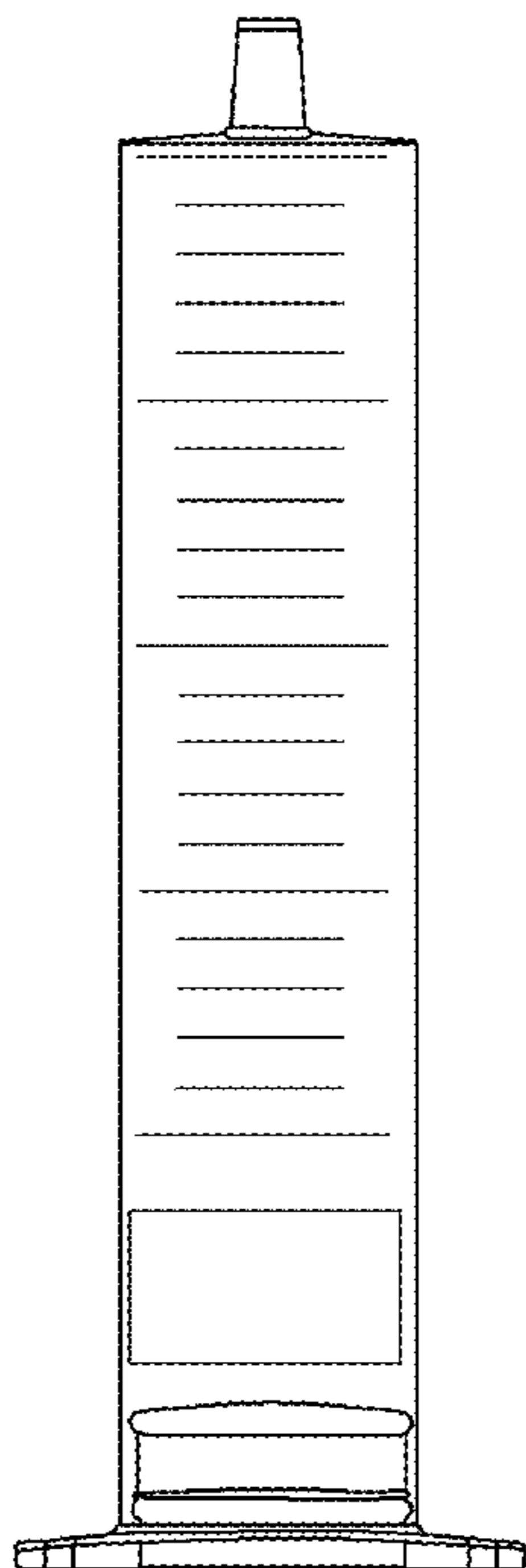
FIG. 1 is a front elevational view of a dispensing syringe showing my new design;
FIG. 2 is a rear elevational view thereof;
FIG. 3 is a left side elevational view thereof;
FIG. 4 is a right side elevational view thereof;
FIG. 5 is a top plan view thereof;
FIG. 6 is a bottom plan view thereof; and,
FIG. 7 is a perspective view of the dispensing syringe.

1 Claim, 7 Drawing Sheets

(56) **References Cited**

U.S. PATENT DOCUMENTS

D403,762 S * 1/1999 Gabbard D24/113
D447,797 S * 9/2001 Odell D24/112
D578,210 S * 10/2008 Muta D24/114



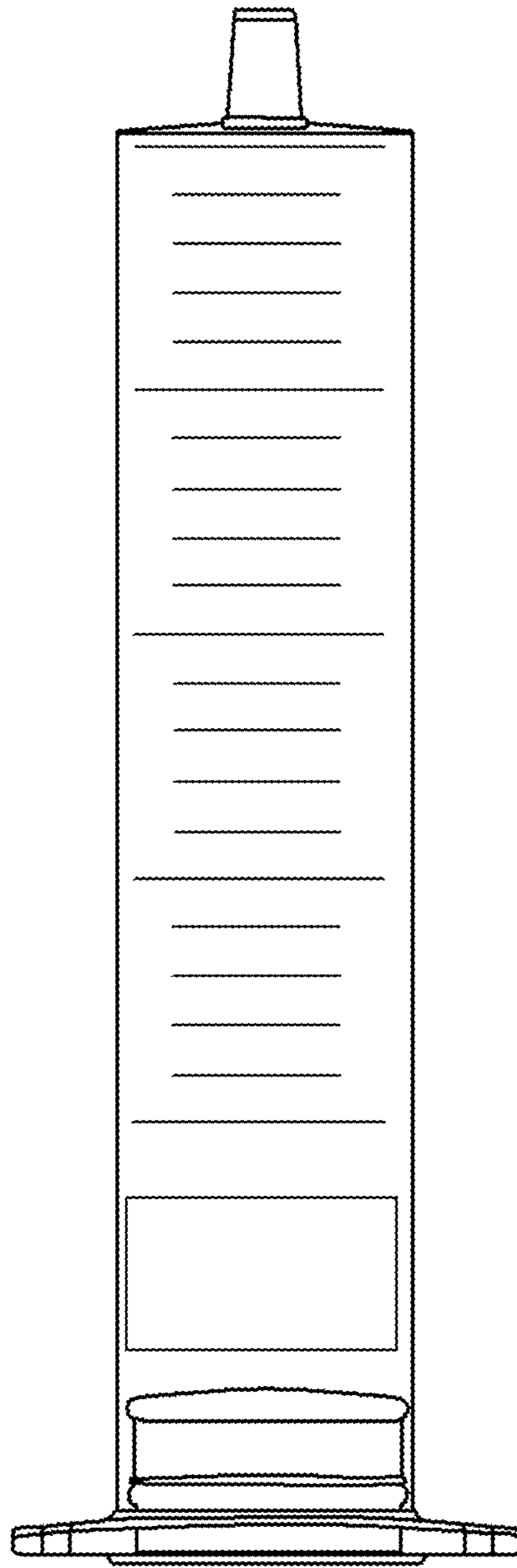


FIG. 1

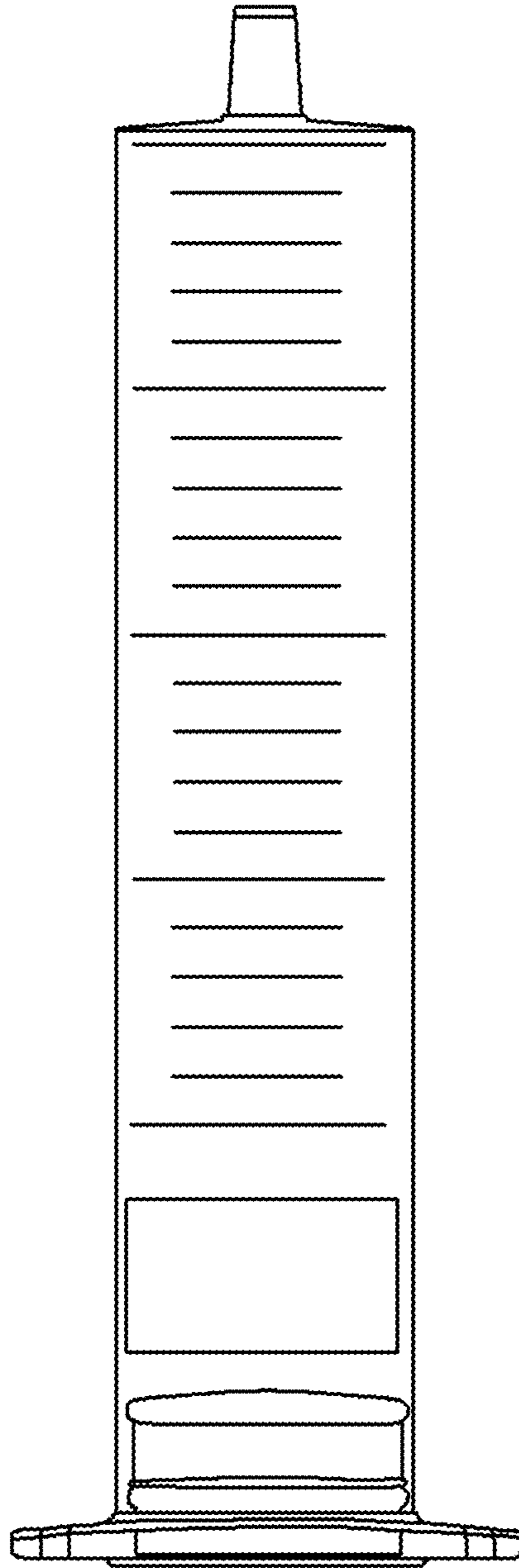


FIG.2

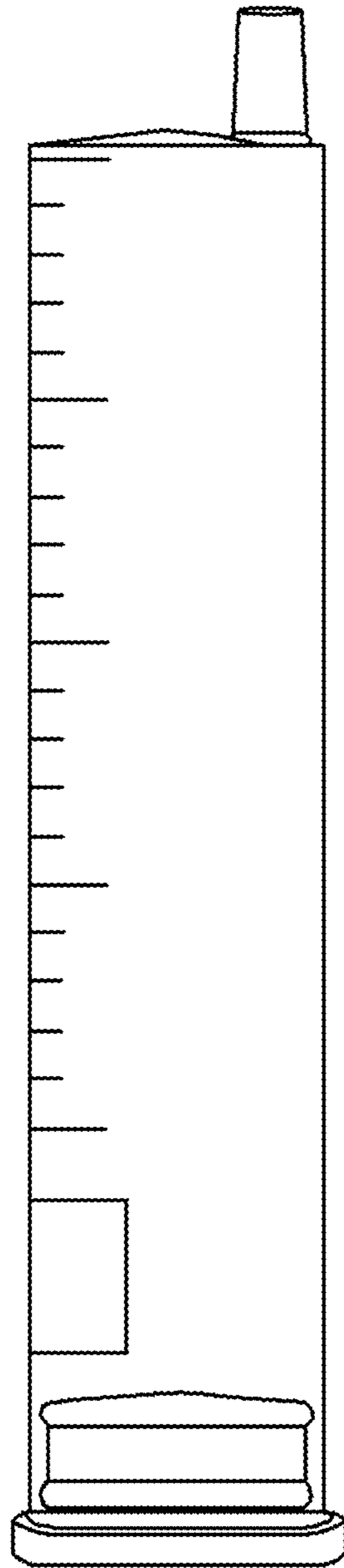


FIG.3

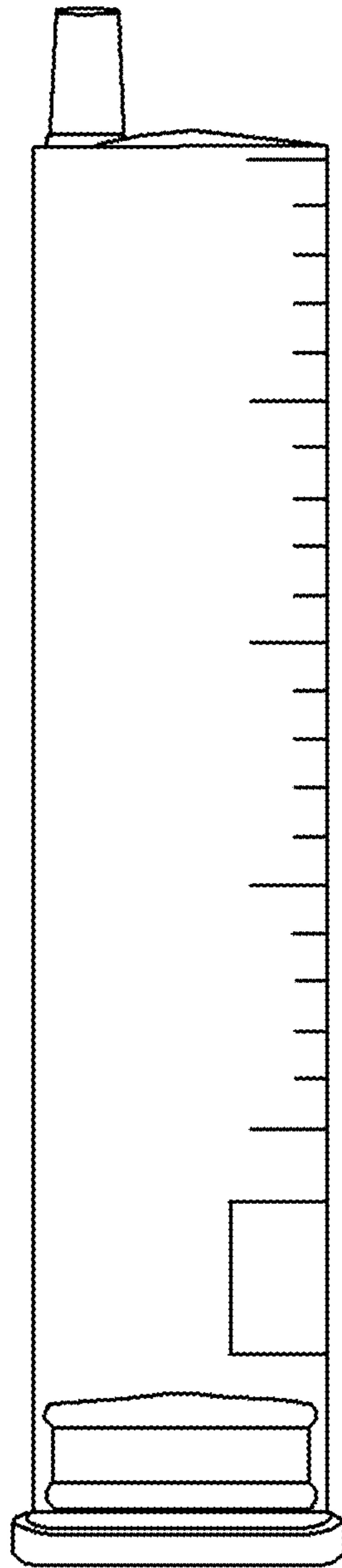


FIG.4

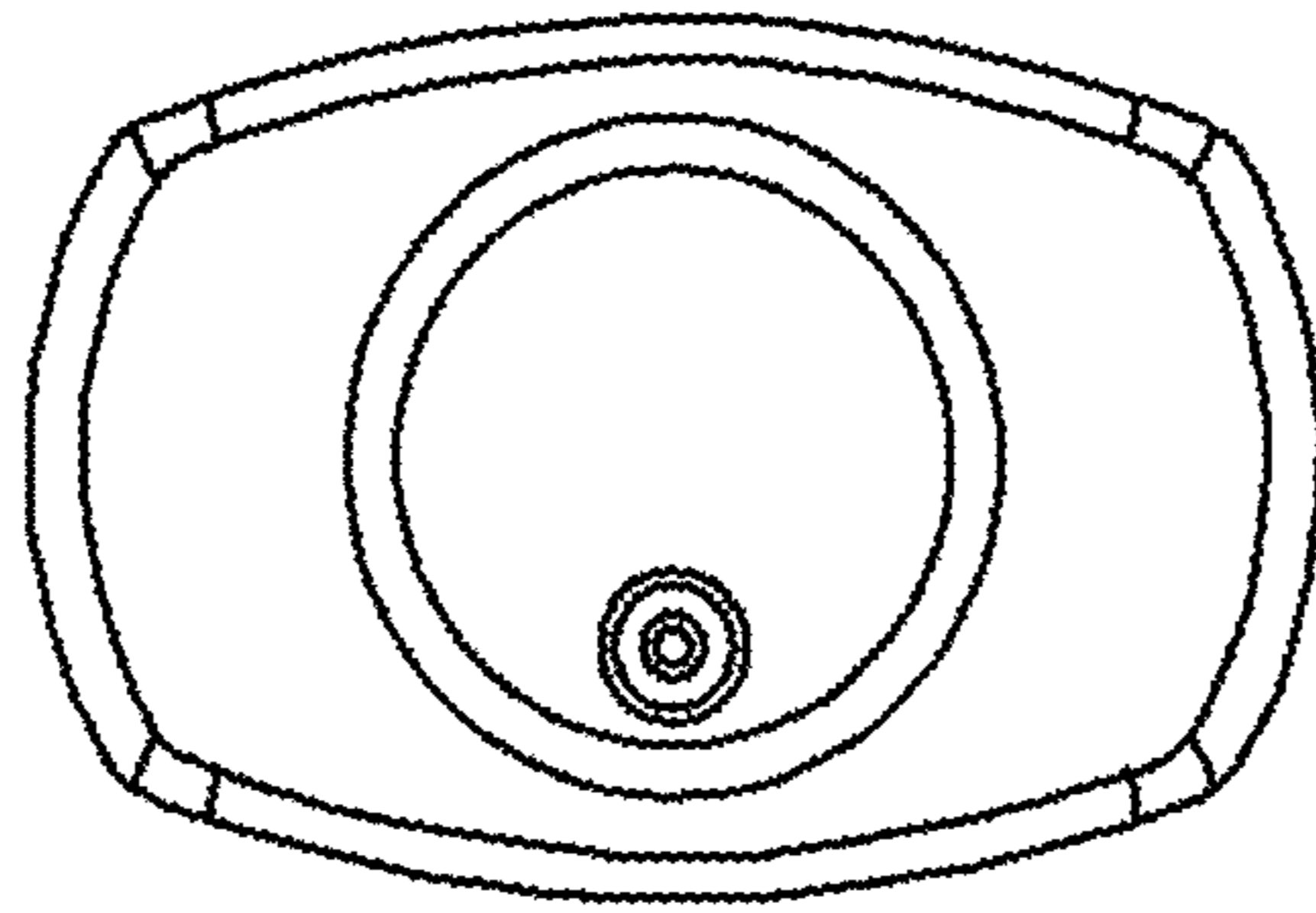


FIG.5

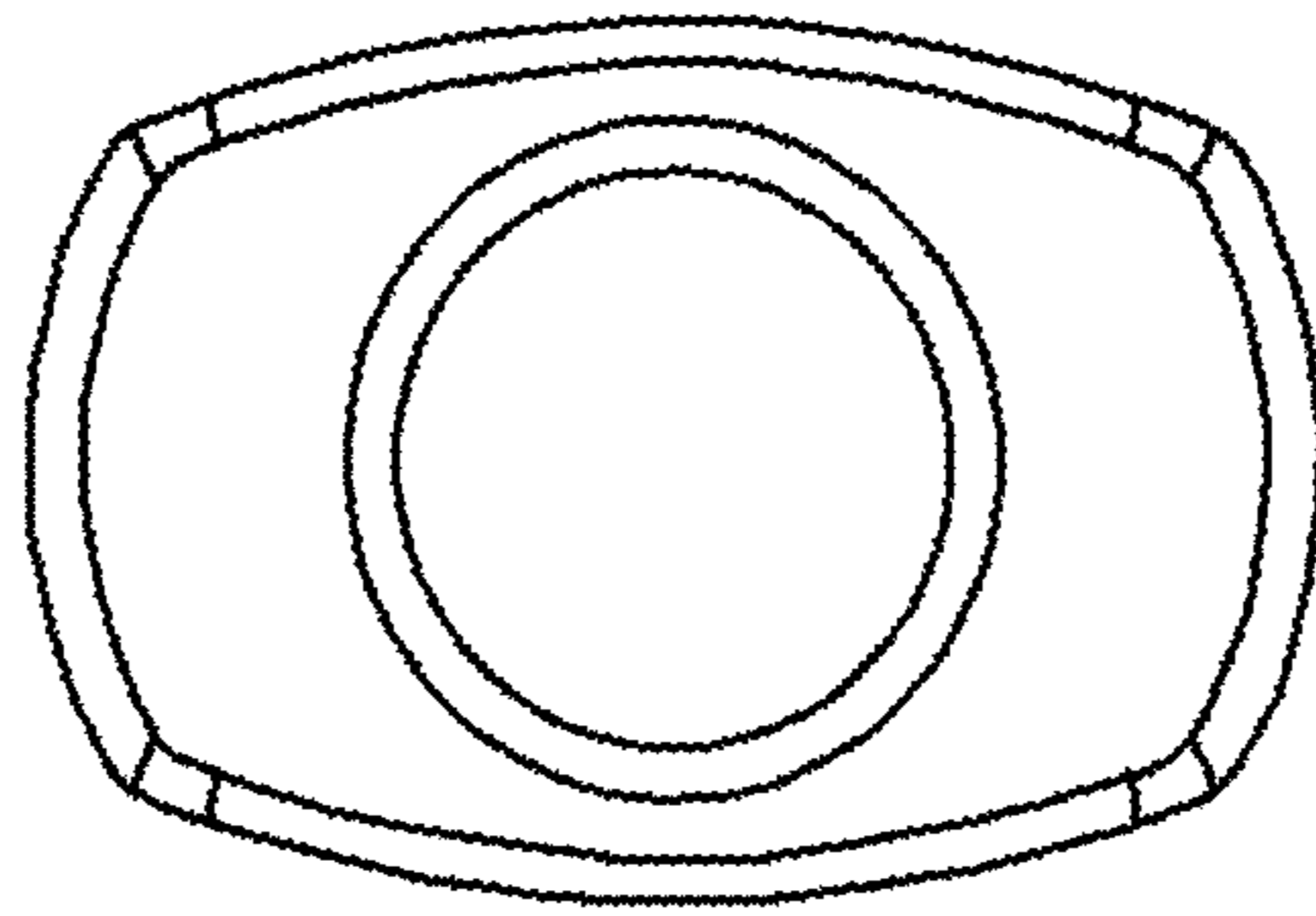


FIG.6

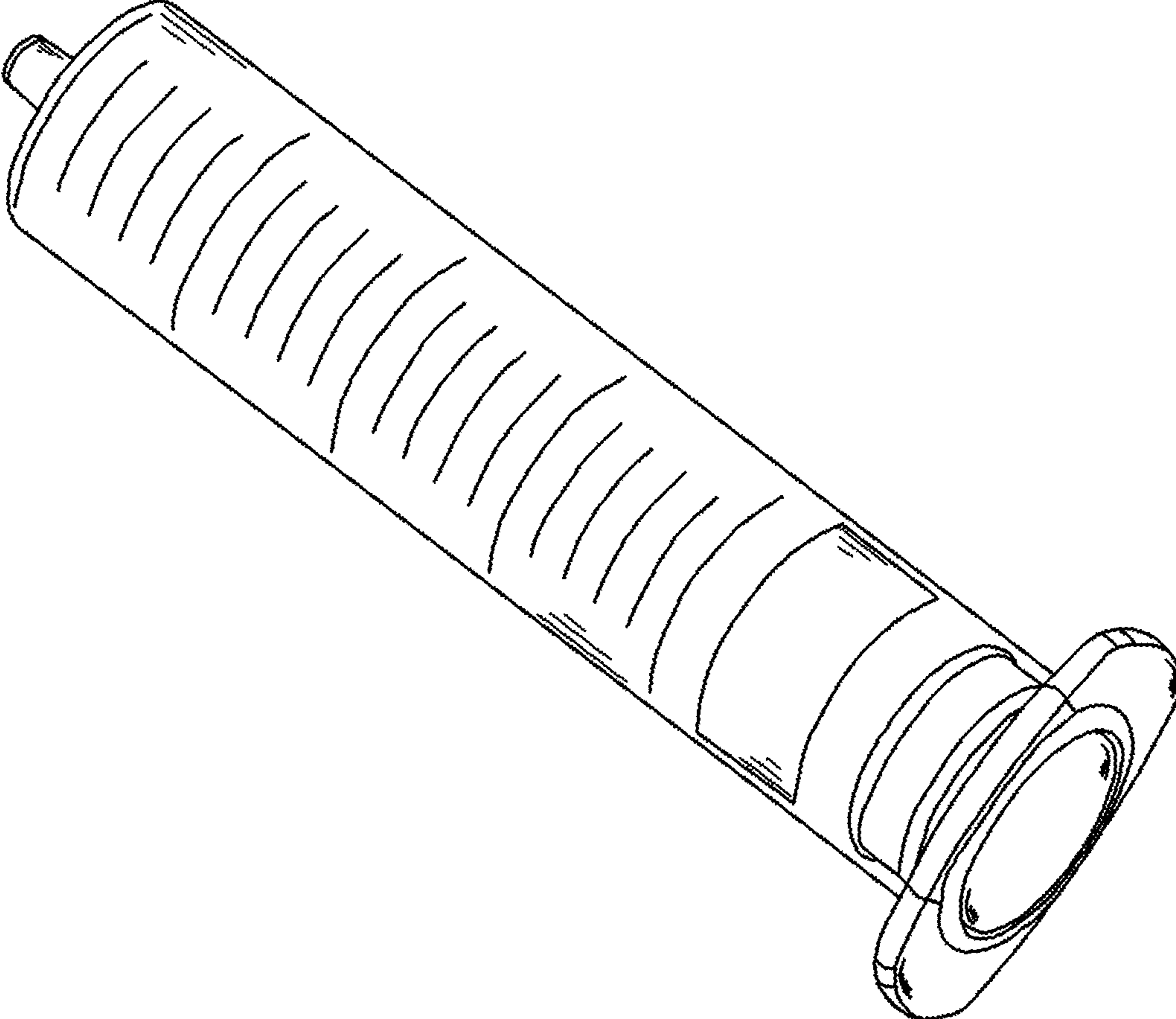


FIG.7