



US00D888232S

(12) **United States Design Patent**
Phillips et al.

(10) **Patent No.:** **US D888,232 S**
(45) **Date of Patent:** **** Jun. 23, 2020**

(54) **DUAL-LUMEN CATHETER**

(71) Applicant: **Vena Medical, Inc.**, Kitchener (CA)

(72) Inventors: **Michael M. Phillips**, Plumweseep (CA); **Phillip Cooper**, Kitchener (CA); **Joshua Greene**, Lake Zurich, IL (US)

(73) Assignee: **VENA MEDICAL HOLDINGS CORP.**, Kitchener, Ontario (CA)

(**) Term: **15 Years**

(21) Appl. No.: **29/640,240**

(22) Filed: **Mar. 13, 2018**

(51) **LOC (12) Cl.** **24-02**

(52) **U.S. Cl.**
USPC **D24/112**

(58) **Field of Classification Search**
USPC D24/108, 111, 155, 127–131, 112–114, D24/133, 186; 606/181, 185; 604/264, 604/523–528, 272, 187, 158, 604/164.01–164.11, 181, 184, 227; 600/101, 139, 143; 128/200.24, 207.14, 128/207.15
CPC A61M 25/00; A61M 39/00; A61M 27/00; A61M 25/0043; A61M 25/0067; A61M 25/0097; A61F 2/958
See application file for complete search history.

6,440,061 B1 * 8/2002 Wenner A61B 1/3132
600/114

6,849,062 B2 * 2/2005 Kantor A61M 25/0023
604/103.04

6,966,889 B2 * 11/2005 Saab A61F 7/123
604/264

7,276,043 B2 * 10/2007 Heath A61M 25/0023
604/43

7,500,982 B2 * 3/2009 Pepper A61M 25/0014
604/103

7,604,612 B2 * 10/2009 Ressemann A61B 17/12109
604/101.01

7,794,448 B2 * 9/2010 Grandt A61M 25/0009
604/524

7,850,675 B2 * 12/2010 Bell A61M 25/0045
604/523

7,879,021 B2 * 2/2011 Drewes, Jr. A61M 25/0043
604/523

8,784,402 B1 * 7/2014 Lareau A61L 29/14
524/423

8,808,235 B2 * 8/2014 Von Oepen A61M 25/003
604/164.12

* cited by examiner

Primary Examiner — David G Muller
(74) *Attorney, Agent, or Firm* — Perry + Currier, Inc.

(57) **CLAIM**
What is claimed is the ornamental design for a dual-lumen catheter, as shown and described.

DESCRIPTION

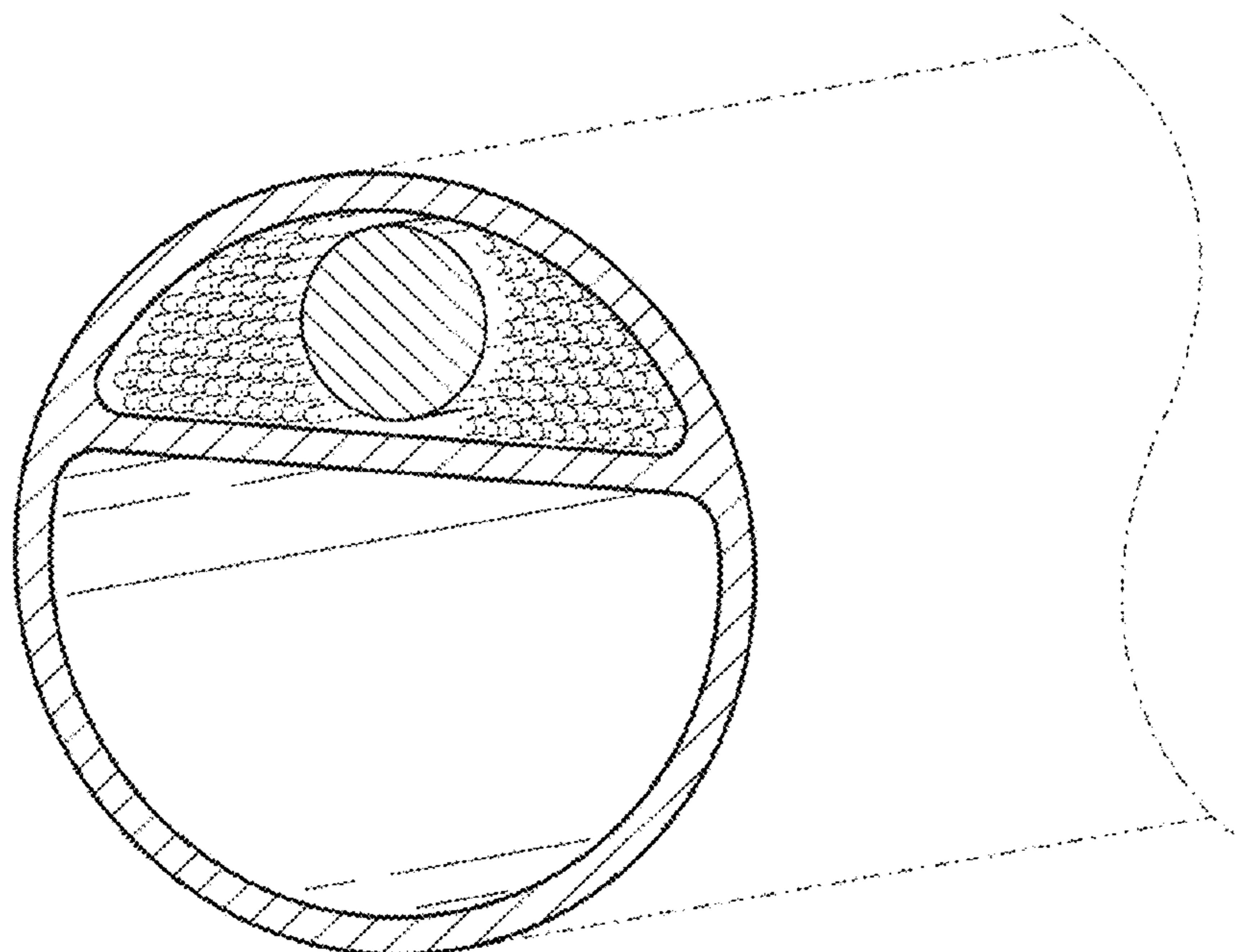
FIG. 1 is a perspective view of the dual-lumen catheter showing our new design; and, FIG. 2 is a front elevation view of the design of FIG. 1. The broken lines are included for the purpose of illustrating environmental structure and form no part of the claimed design.

1 Claim, 1 Drawing Sheet

(56) **References Cited**
U.S. PATENT DOCUMENTS

5,810,869 A * 9/1998 Kaplan A61M 25/0014
604/96.01

6,146,354 A * 11/2000 Beil A61M 25/0032
604/28



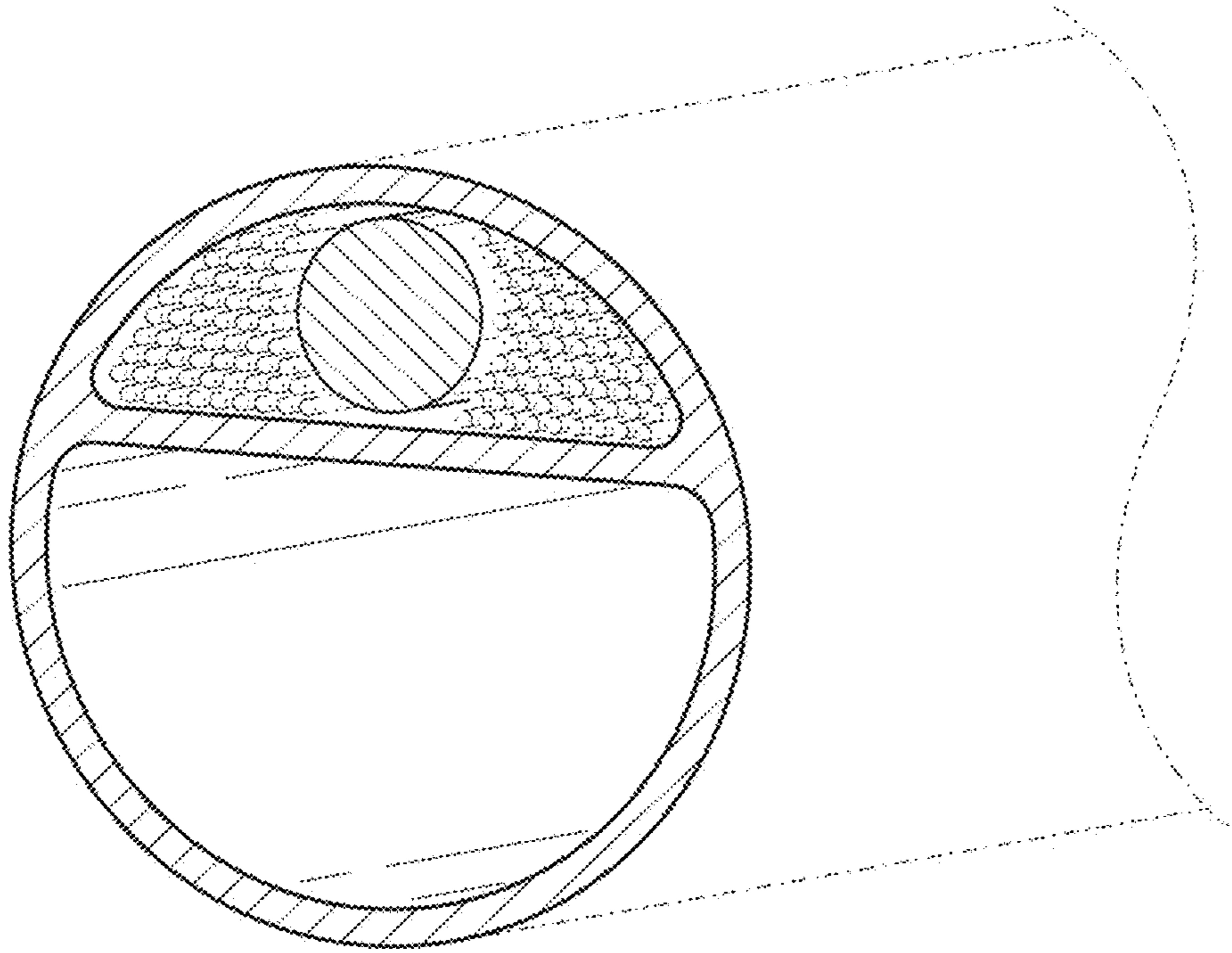


FIG. 1

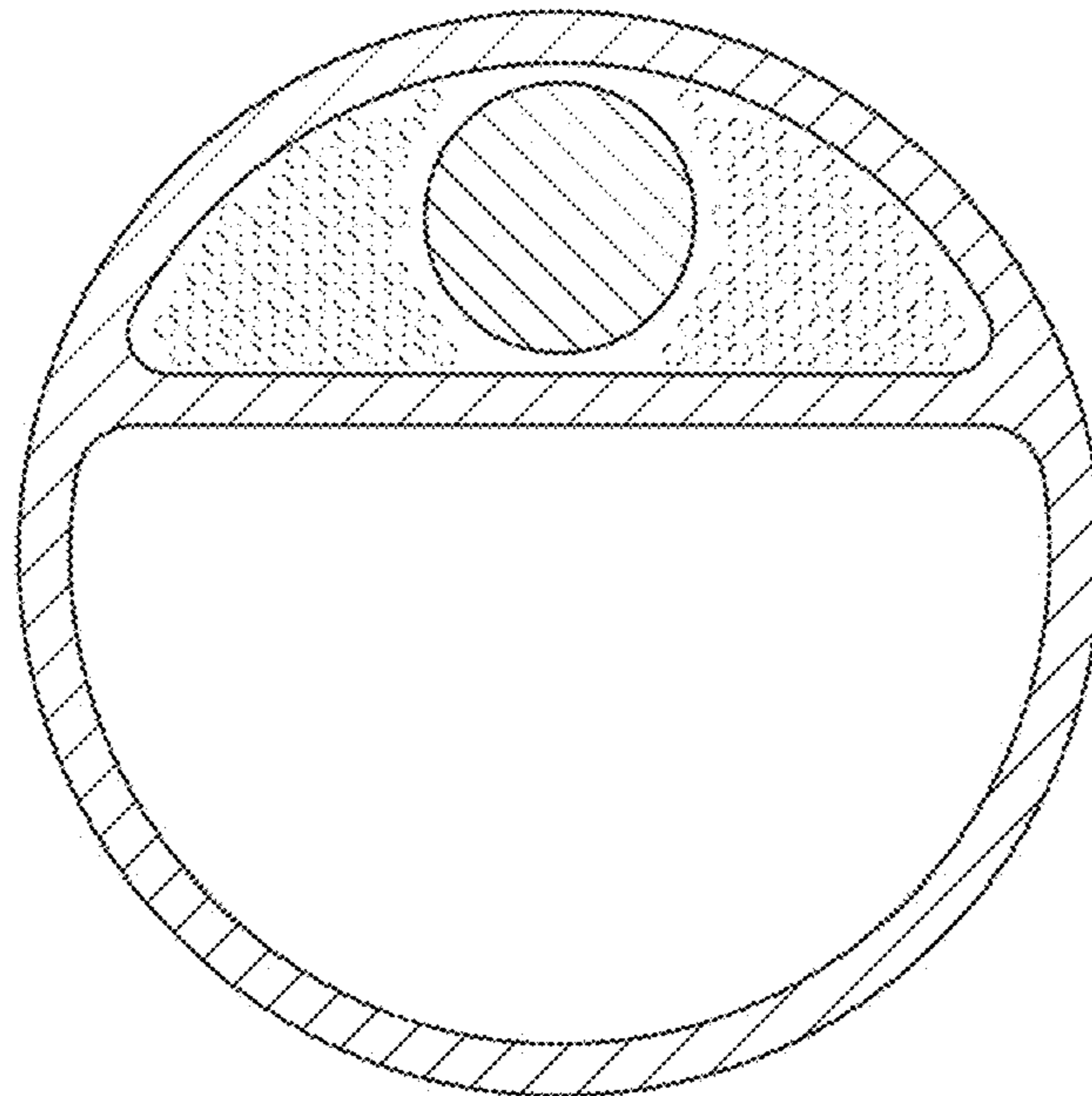


FIG. 2