



US00D888230S

(12) **United States Design Patent**  
**Li et al.**

(10) **Patent No.:** **US D888,230 S**  
(45) **Date of Patent:** **\*\* Jun. 23, 2020**

- (54) **DESKTOP ORAL IRRIGATOR**
- (71) Applicants: **Jinfeng Li**, Hubei (CN); **Gang Wang**, Hunan (CN); **Qing Zhang**, Anhui (CN); **Xinquan Liu**, Sichuan (CN); **Xiaowen Liu**, Hunan (CN)
- (72) Inventors: **Jinfeng Li**, Hubei (CN); **Gang Wang**, Hunan (CN); **Qing Zhang**, Anhui (CN); **Xinquan Liu**, Sichuan (CN); **Xiaowen Liu**, Hunan (CN)
- (73) Assignee: **Flycat Electrical Co., Ltd.**, Xiantao, Hubei (CN)

D725,770 S *	3/2015	Kim	.....	D24/111
D740,936 S *	10/2015	Kim	.....	D24/111
D764,051 S *	8/2016	Wang	.....	D24/111
D798,440 S *	9/2017	Kim	.....	D24/111
D802,119 S *	11/2017	Kim	.....	D24/111
D809,650 S *	2/2018	Kim	.....	D24/111
D822,196 S *	7/2018	Kim	.....	D24/111
D822,825 S *	7/2018	Au	.....	D24/111
D822,826 S *	7/2018	Au	.....	D24/111
10,022,207 B2 *	7/2018	Taylor	.....	A61C 17/0205
D833,000 S *	11/2018	Porter	.....	D24/111
D834,180 S *	11/2018	Porter	.....	D24/111
D857,881 S *	8/2019	Massie	.....	D24/111
D858,750 S *	9/2019	Porter	.....	D24/111
D859,643 S *	9/2019	Li	.....	D24/111
D859,644 S *	9/2019	Porter	.....	D24/111
D867,579 S *	11/2019	Porter	.....	D24/111

(Continued)

(\*\*) Term: **15 Years**

(21) Appl. No.: **29/645,274**

(22) Filed: **Apr. 25, 2018**

(51) **LOC (12) Cl.** ..... **24-02**

(52) **U.S. Cl.**  
USPC ..... **D24/111**

(58) **Field of Classification Search**  
USPC ..... D24/108, 111–115, 152, 176; D4/101, D4/102, 110, 111, 138  
CPC ..... A61C 17/20; A61C 17/00; A61C 17/005; A61C 17/02; A61C 17/0202; A61C 17/0205; A61C 17/0211; A61C 17/36; A61C 17/028; A61C 17/22; A61C 17/222; A61C 17/225; A61C 17/28  
See application file for complete search history.

(56) **References Cited**

**U.S. PATENT DOCUMENTS**

D209,204 S *	11/1967	St. Clair et al.	.....	D24/111
3,425,410 A *	2/1969	Cammack	.....	A61C 1/0092
				601/162
D565,175 S *	3/2008	Boyd	.....	D24/111
D718,855 S *	12/2014	Kim	.....	A61H 13/005
				D24/111

**FOREIGN PATENT DOCUMENTS**

EM 005246824-0004 \* 5/2018

*Primary Examiner* — Lilyana Bekic

(74) *Attorney, Agent, or Firm* — Justin Lampel

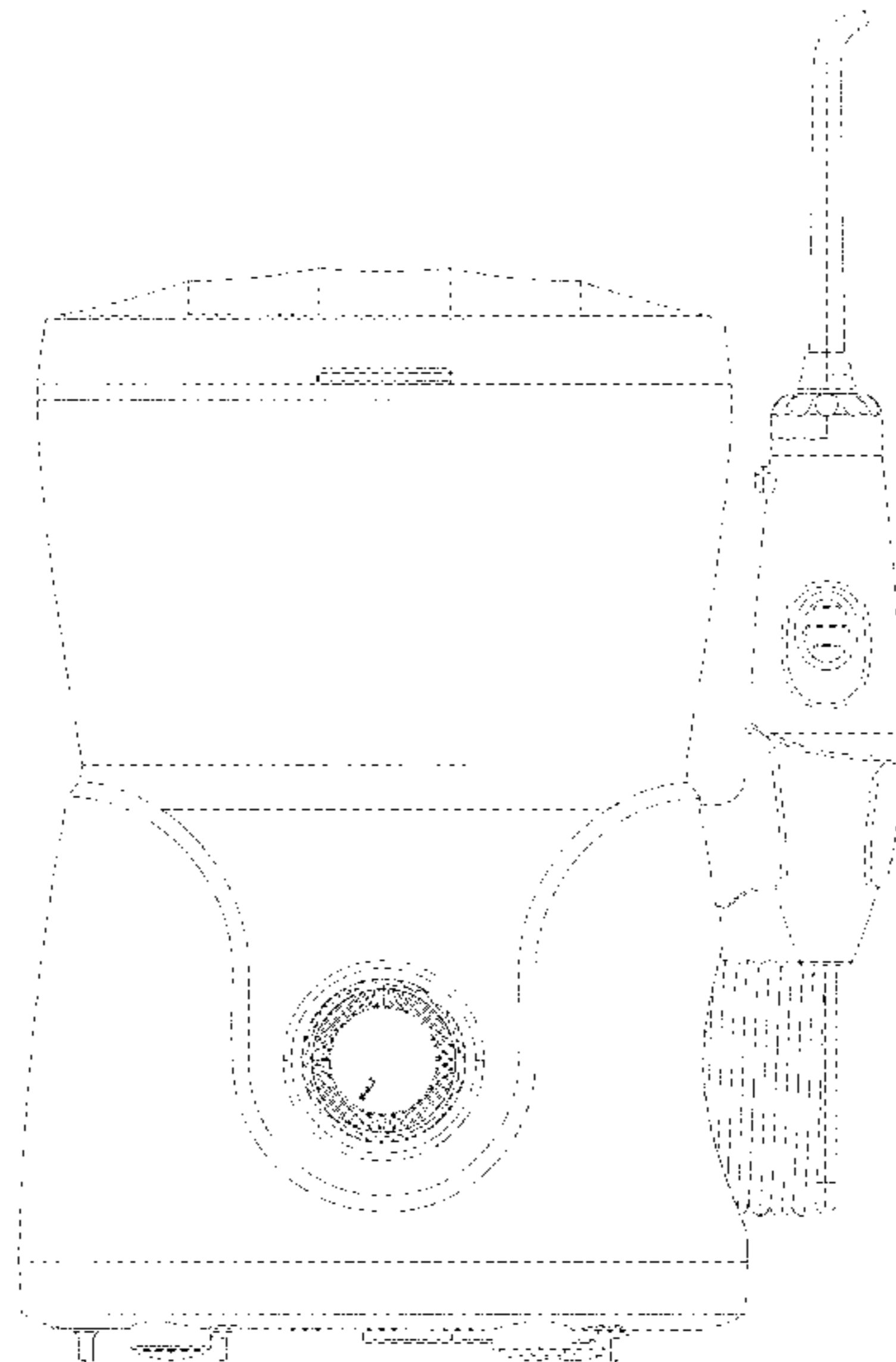
(57) **CLAIM**

The ornamental design for a desktop oral irrigator, as shown and described.

**DESCRIPTION**

FIG. 1 is a bottom perspective view of a desktop oral irrigator showing our new design; FIG. 2 is a bottom plan view thereof; FIG. 3 is a top plan view thereof; FIG. 4 is a right side view thereof; FIG. 5 is a left side view thereof; FIG. 6 is a rear view thereof; and, FIG. 7 is a front view thereof. The broken lines in the drawings depict portions of the desktop oral irrigator that form no part of the claimed design.

**1 Claim, 7 Drawing Sheets**



(56)

**References Cited**

U.S. PATENT DOCUMENTS

D872,855 S \* 1/2020 Porter ..... D24/111  
2007/0203439 A1\* 8/2007 Boyd ..... A61C 1/0084  
601/162  
2014/0272782 A1\* 9/2014 Luetngen ..... A61H 13/005  
433/80  
2017/0252251 A1\* 9/2017 Williams ..... A61C 17/0202  
2018/0168784 A1\* 6/2018 Wagner ..... A61C 17/02  
2018/0168785 A1\* 6/2018 Wagner ..... A61C 17/0202  
2018/0263742 A1\* 9/2018 Taylor ..... A61C 17/0202

\* cited by examiner

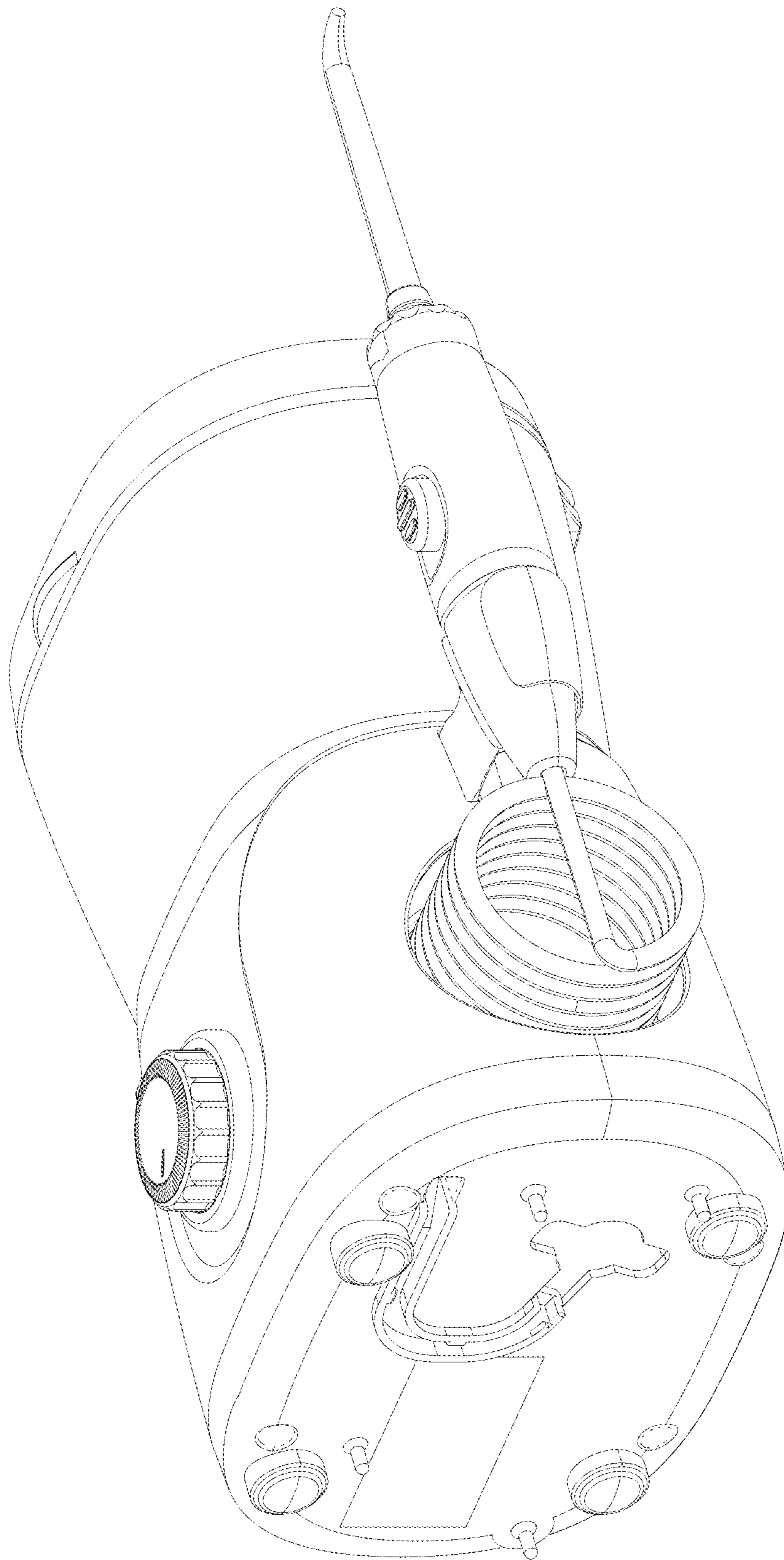


FIG.1

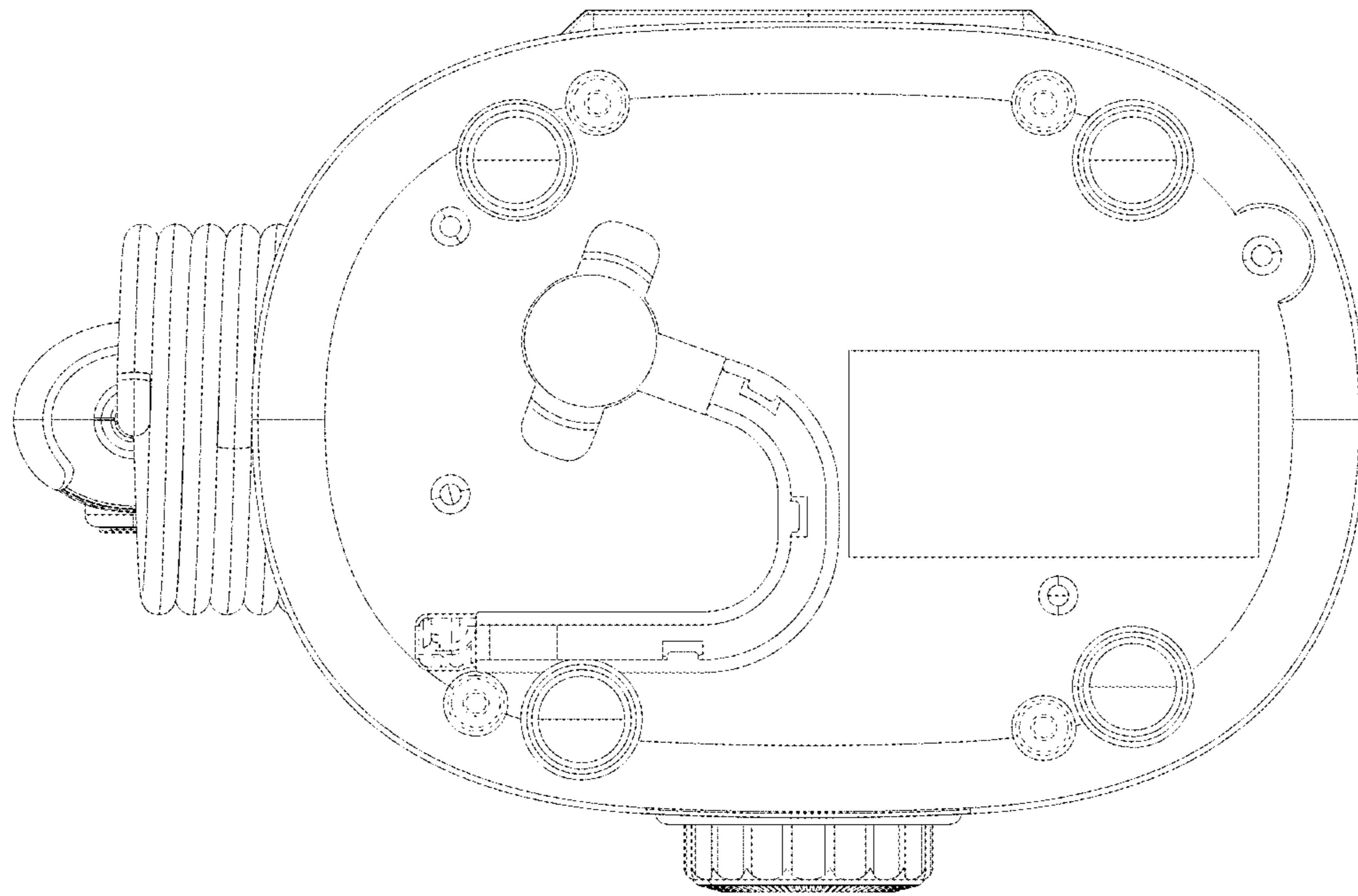


FIG.2

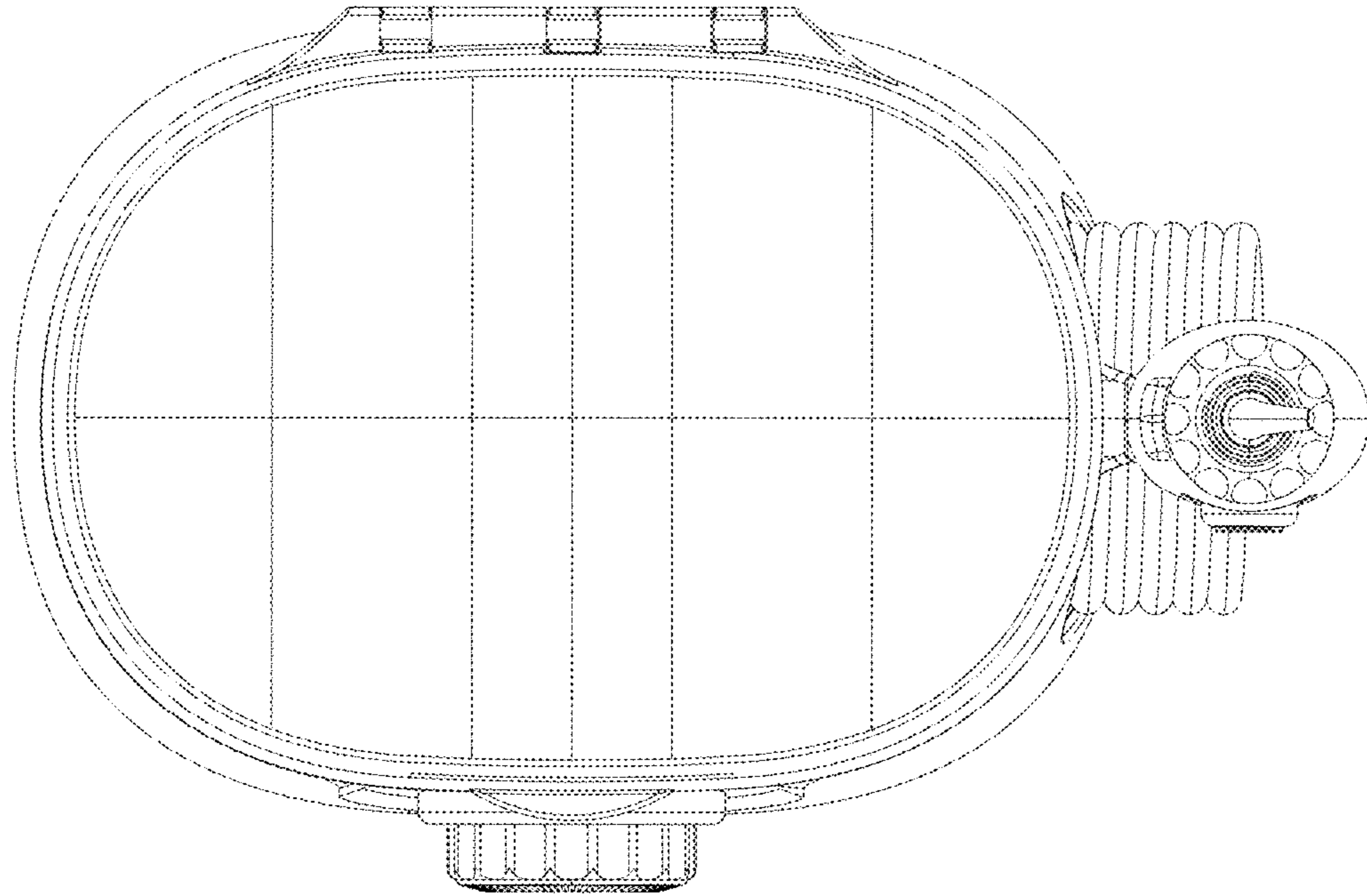


FIG.3

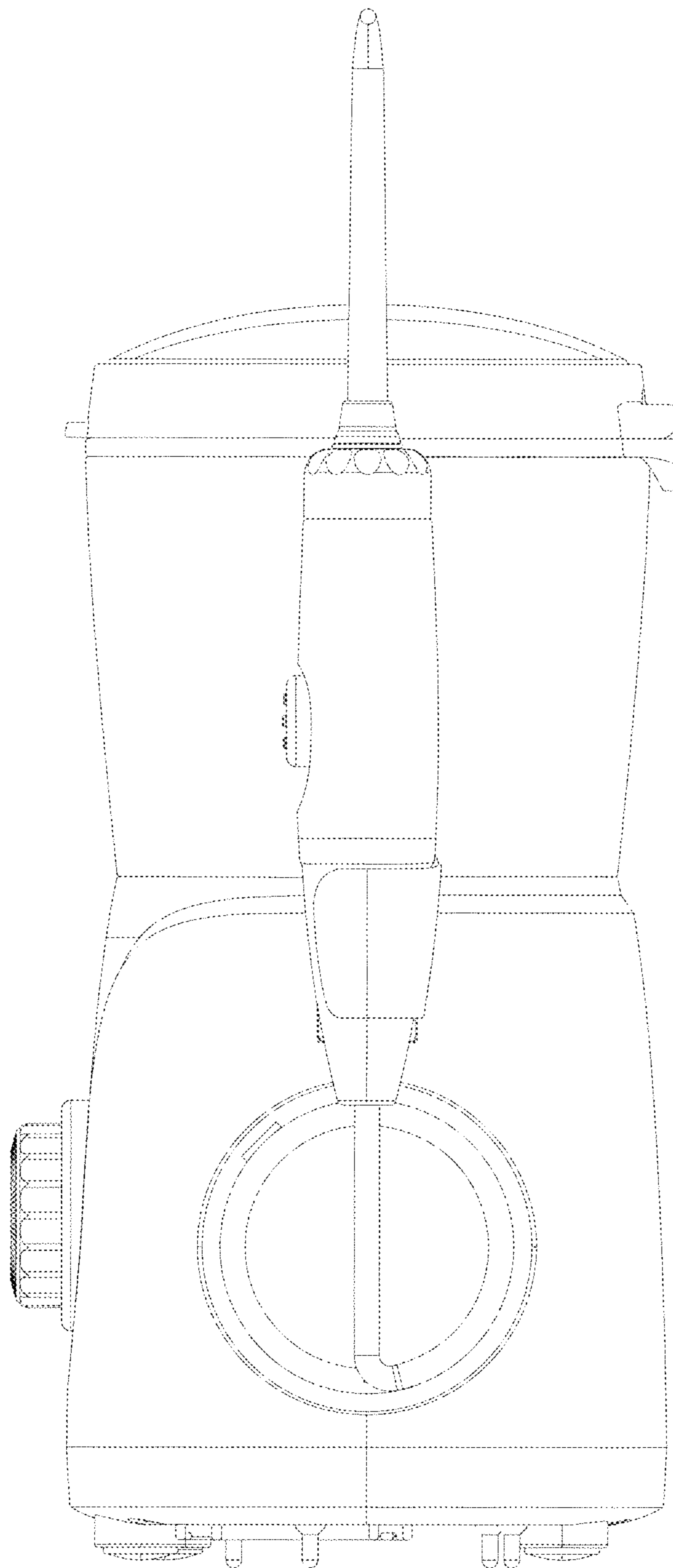


FIG.4

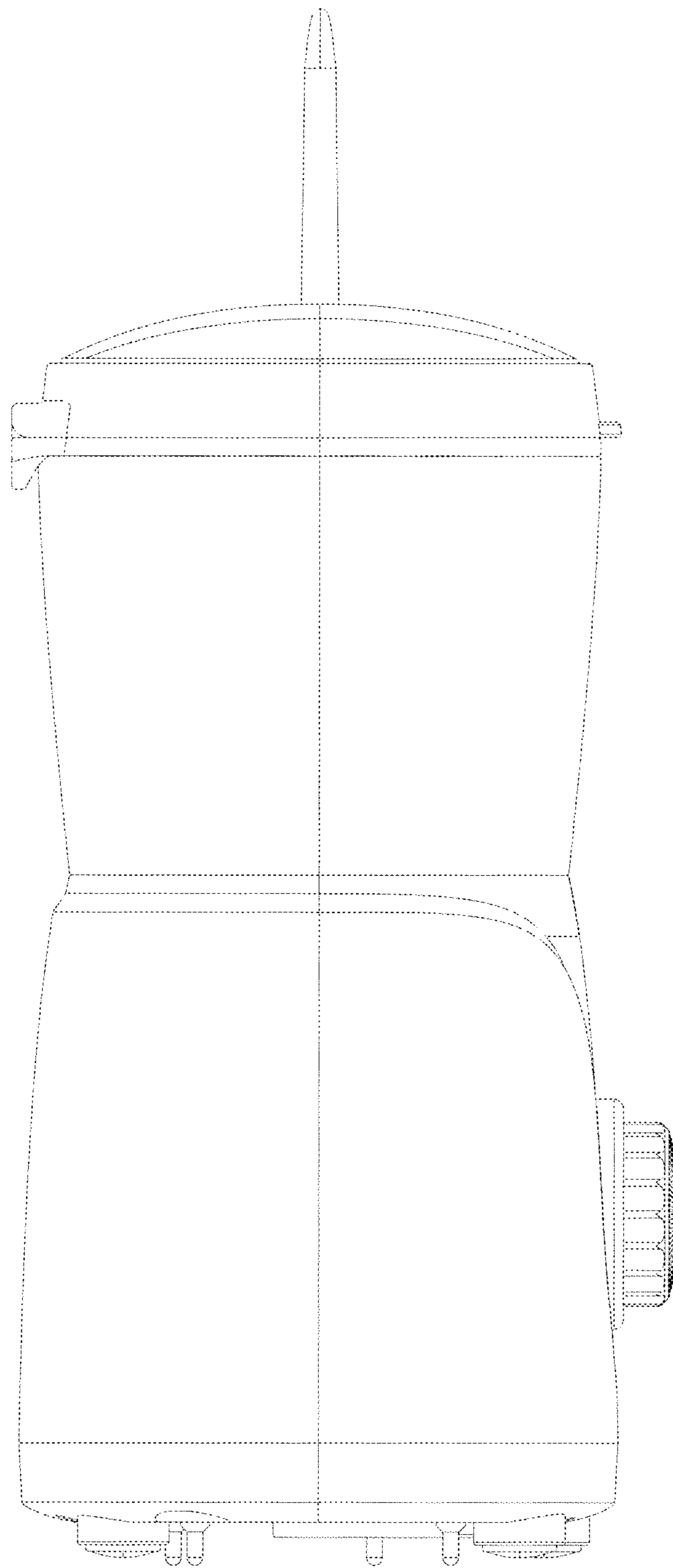


FIG.5

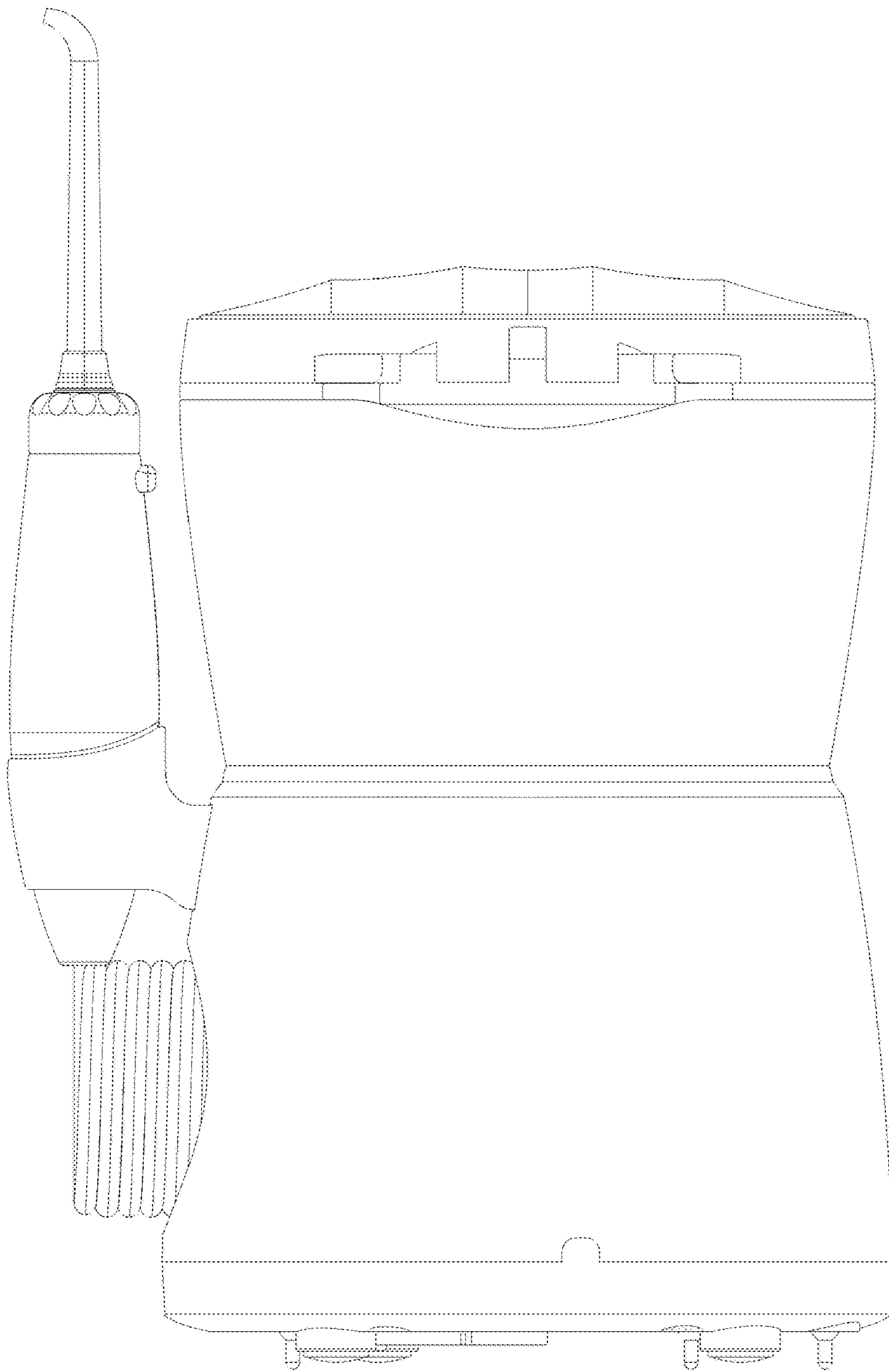


FIG.6



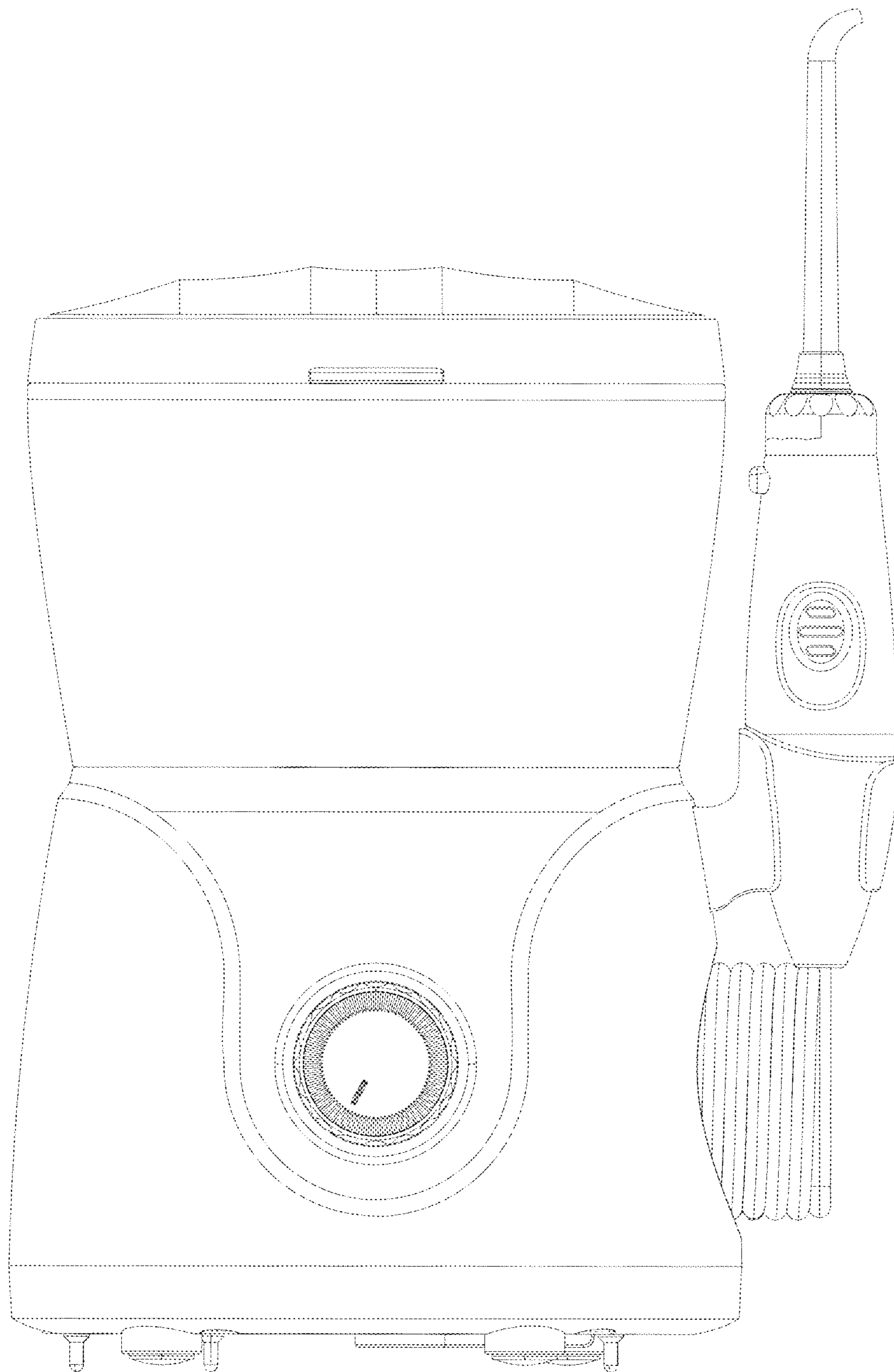


FIG. 7