



US00D888229S

(12) **United States Design Patent** (10) **Patent No.:** **US D888,229 S**
Prevot (45) **Date of Patent:** **** Jun. 23, 2020**

(54) **POWERED AIR PURIFYING RESPIRATOR WITH MOHAWK HEADPIECE**

(71) Applicant: **Honeywell International Inc.**, Morris Plains, NJ (US)

(72) Inventor: **Tanguy Prevot**, Brno-Venkov (CZ)

(73) Assignee: **HONEYWELL INTERNATIONAL INC.**, Morris Plains, NJ (US)

(**) Term: **15 Years**

(21) Appl. No.: **29/647,272**

(22) Filed: **May 11, 2018**

(30) **Foreign Application Priority Data**

Nov. 15, 2017 (EM) 004508125

(51) **LOC (12) Cl.** **29-02**

(52) **U.S. Cl.**
USPC **D24/110.3; D29/122**

(58) **Field of Classification Search**
USPC D24/110.1-110.4, 127, 162, 164, 110;
D29/102, 107, 108, 110, 129, 122;
D23/364, 365, 356, 358, 359, 360, 363;
D32/31, 21-25

CPC A62B 18/006; A62B 7/10; A62B 18/045;
A62B 18/08; A62B 18/04; A62B 18/02;
A62B 18/00; A62B 23/025; A62B
18/025; A62B 23/02; A62B 17/04; A62B
18/003; A42B 3/288; A42B 3/225; A42B
3/286; A42B 3/283; A42B 3/28; A42B
3/281; A42B 3/00; A61M 16/06; A61M
16/0622

See application file for complete search history.

(56) **References Cited**

U.S. PATENT DOCUMENTS

D242,399 S * 11/1976 Cox D29/102
5,337,421 A * 8/1994 Jeng A42B 3/066
2/171.3

D372,342 S * 7/1996 Chen D29/102
D412,766 S * 8/1999 Tang D29/106
D421,820 S * 3/2000 Johnson D29/102
D427,301 S * 6/2000 Sato D23/355
D481,494 S * 10/2003 Ho D29/104
D530,044 S * 10/2006 Kalhok D29/107
D565,713 S * 4/2008 Gao D23/356
D570,562 S * 6/2008 Paredes D32/22
D570,564 S * 6/2008 Paredes D32/31
D575,905 S * 8/2008 Davis D29/102
D600,412 S * 9/2009 Ochoa D29/102
D602,639 S * 10/2009 Ho D29/102
D696,464 S * 12/2013 Hwang D29/107

(Continued)

OTHER PUBLICATIONS

Registered European Community Design Application No. RCD004508125, filed Nov. 15, 2017, 6 pages.

Primary Examiner — Lilyana Bekic

(74) *Attorney, Agent, or Firm* — Alston & Bird LLP

(57) **CLAIM**

The ornamental design for a powered air purifying respirator with mohawk headpiece, as shown and described.

DESCRIPTION

FIG. 1 is a front perspective view of a powered air purifying respirator with mohawk headpiece in accordance with the new design;

FIG. 2 is a front view thereof;

FIG. 3 is a rear view thereof;

FIG. 4 is a left side view thereof;

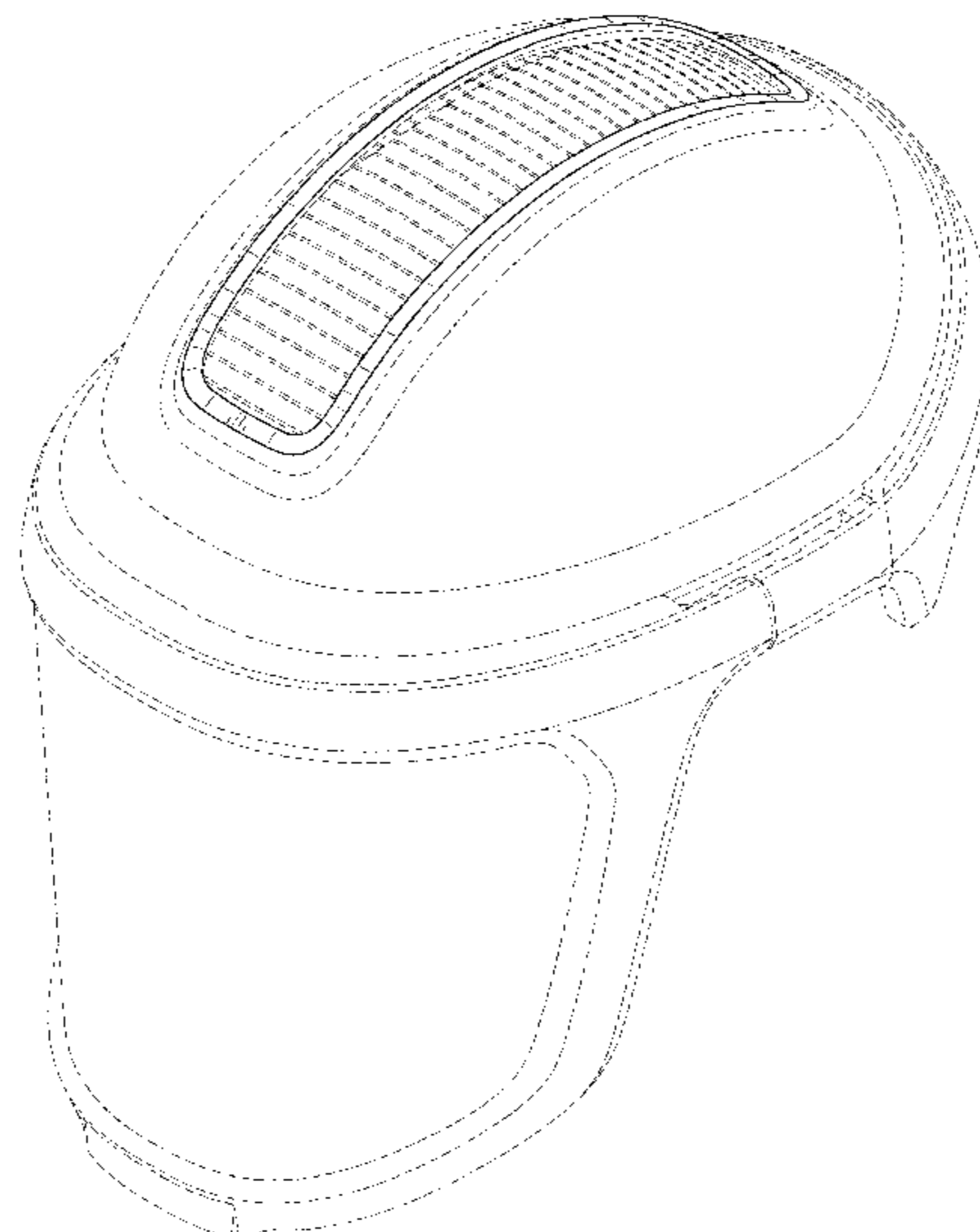
FIG. 5 is a right side view thereof;

FIG. 6 is a top view thereof; and,

FIG. 7 is a bottom view thereof.

The broken lines shown in the drawings depict portions of the powered air purifying respirator with mohawk headpiece that form no part of the claimed design.

1 Claim, 7 Drawing Sheets



(56)

References Cited

U.S. PATENT DOCUMENTS

D697,268	S *	1/2014	Cavallo	D29/102
D723,743	S *	3/2015	Engelhard	D29/102
D743,629	S *	11/2015	Peng	D29/102
D759,899	S *	6/2016	Finiel	D29/102
D766,515	S *	9/2016	Incerti	D29/102
D767,826	S *	9/2016	Lobo	D29/102
D773,120	S *	11/2016	Storey	D29/102
D776,360	S *	1/2017	Patel	D29/107
D777,379	S *	1/2017	Mullins	D29/107
2006/0101556	A1 *	5/2006	Goldsborough	A42B 3/285 2/171.3
2015/0258355	A1 *	9/2015	Folkvord	A41D 13/11 128/205.29
2019/0104796	A1 *	4/2019	Bacinska	A42B 3/08

* cited by examiner

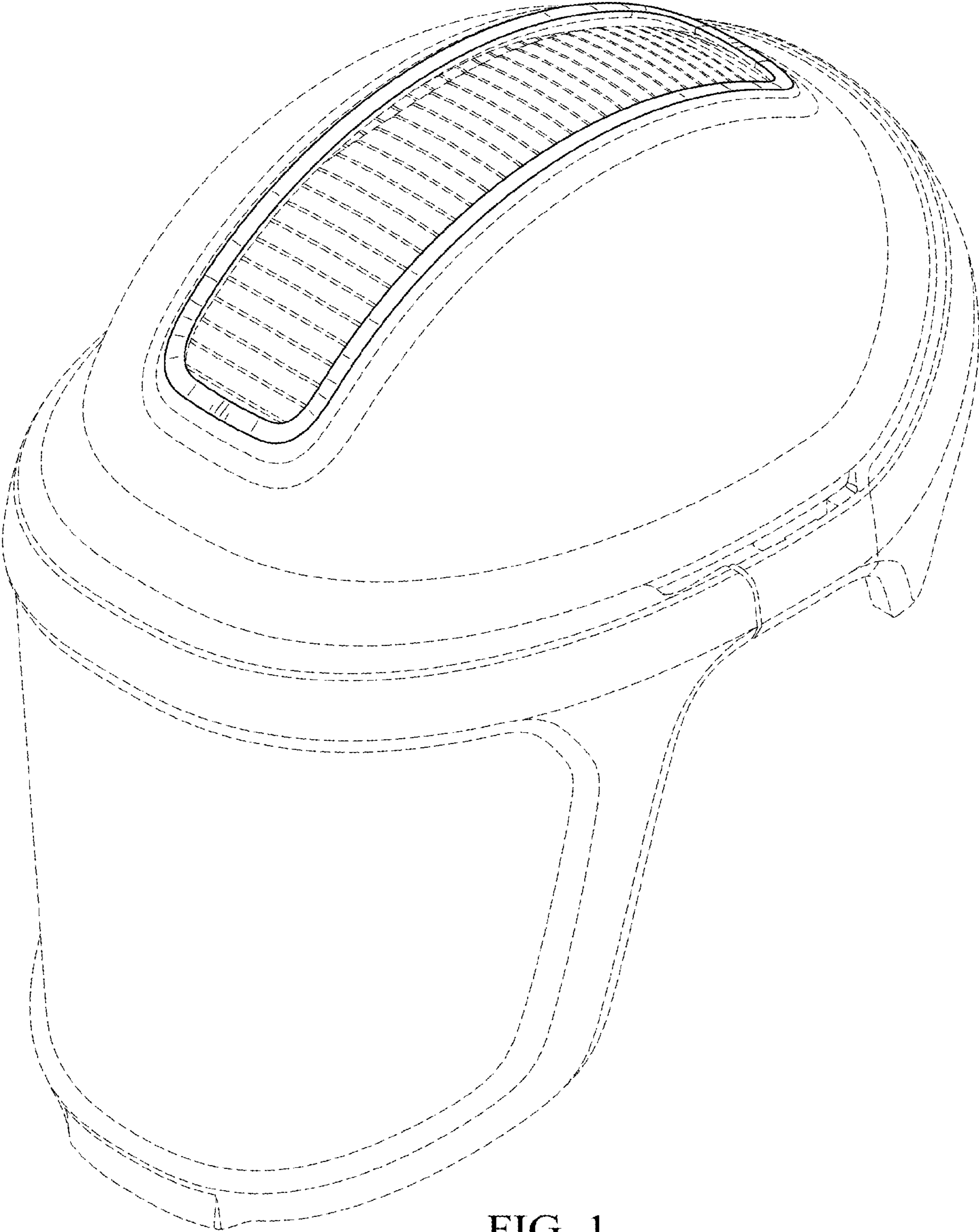


FIG. 1

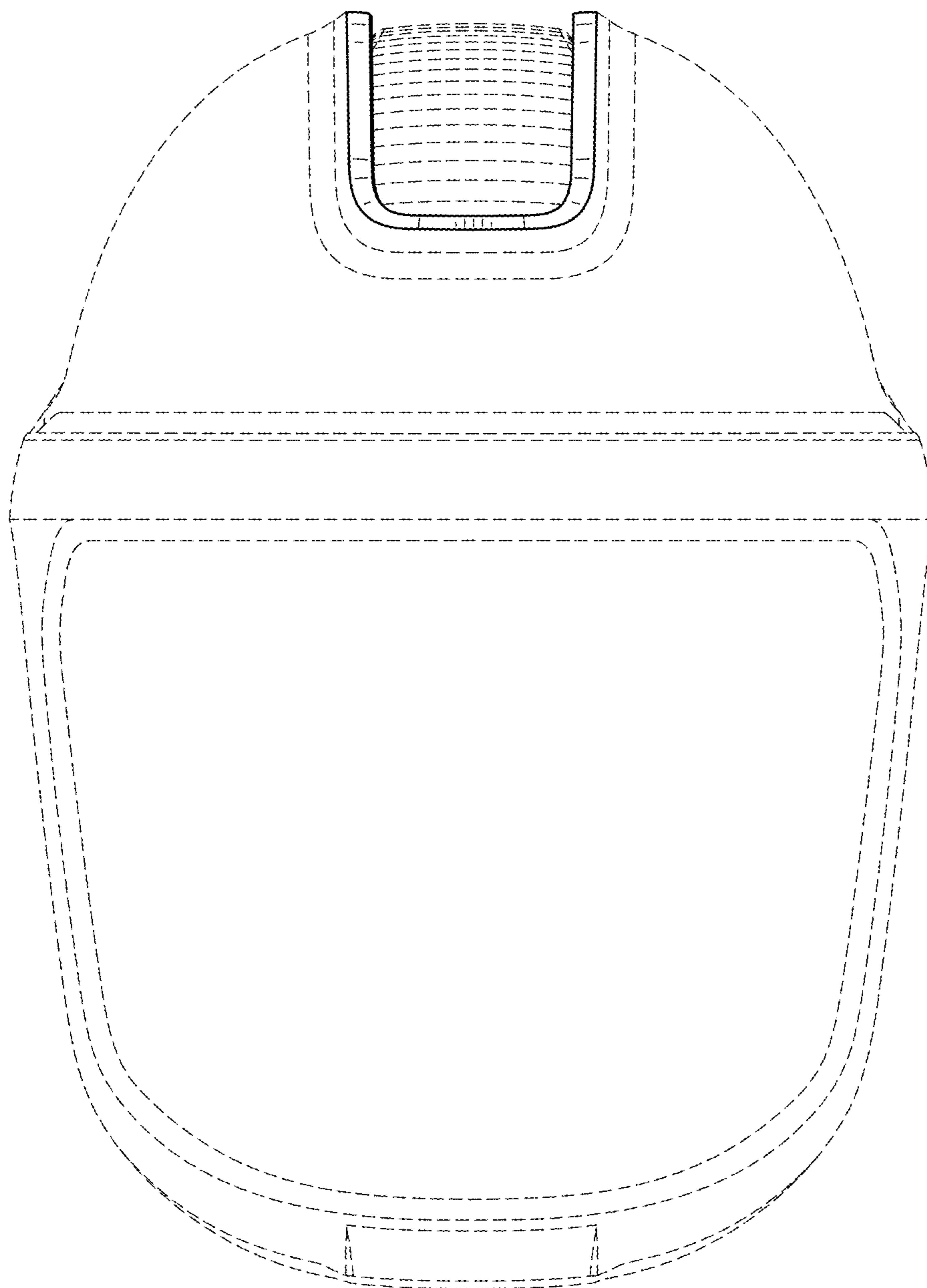


FIG. 2

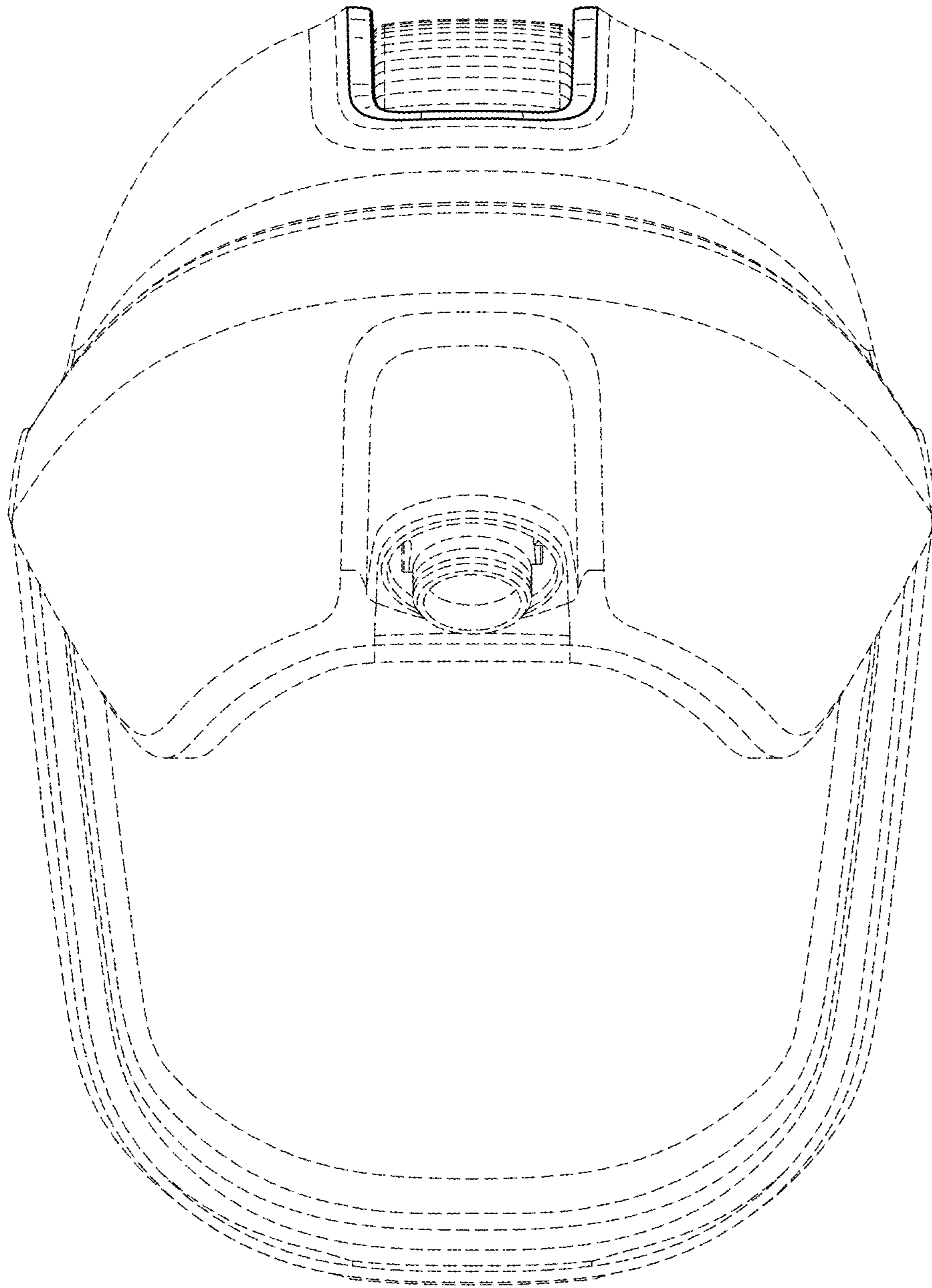


FIG. 3

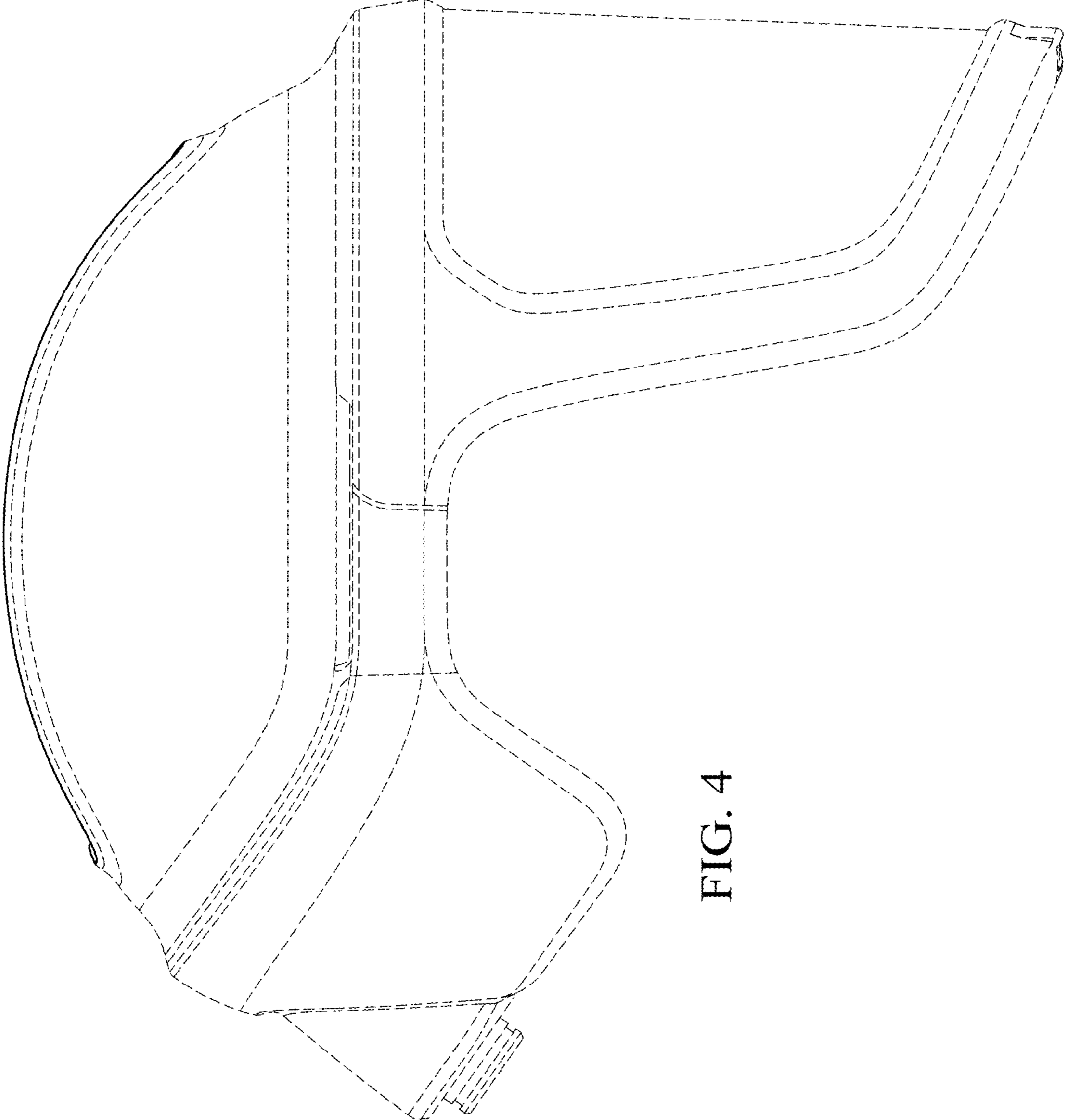


FIG. 4

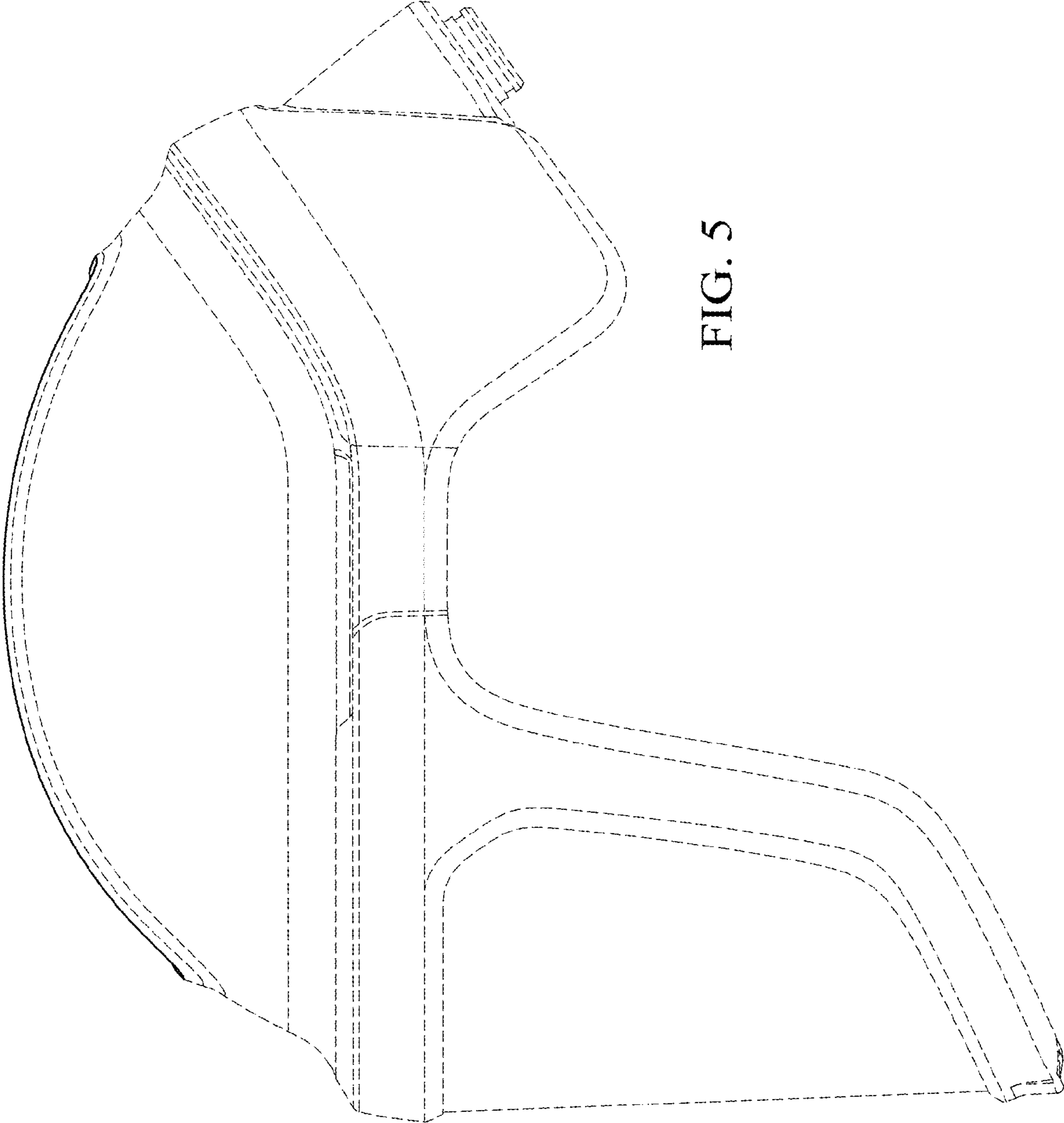


FIG. 5

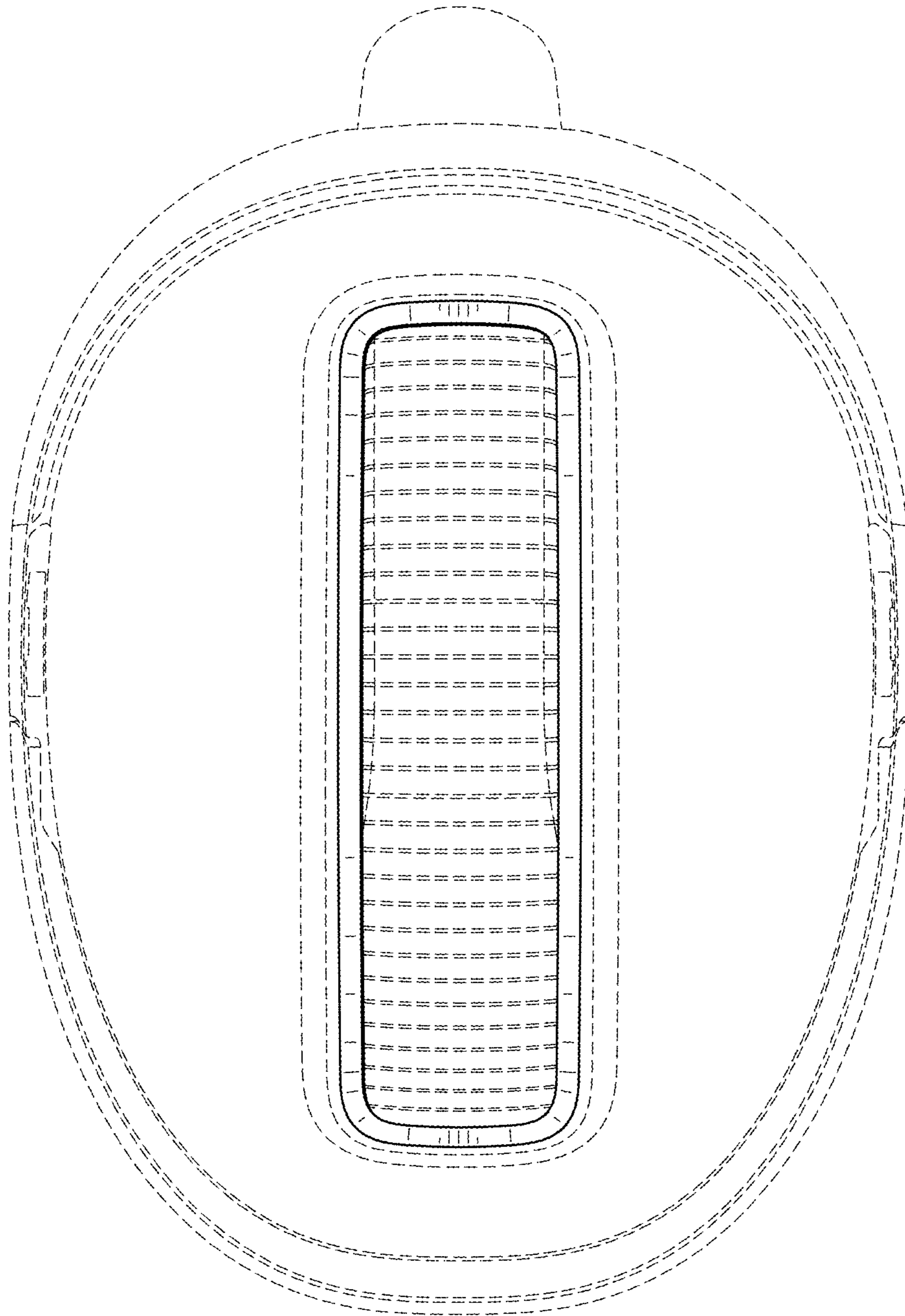


FIG. 6

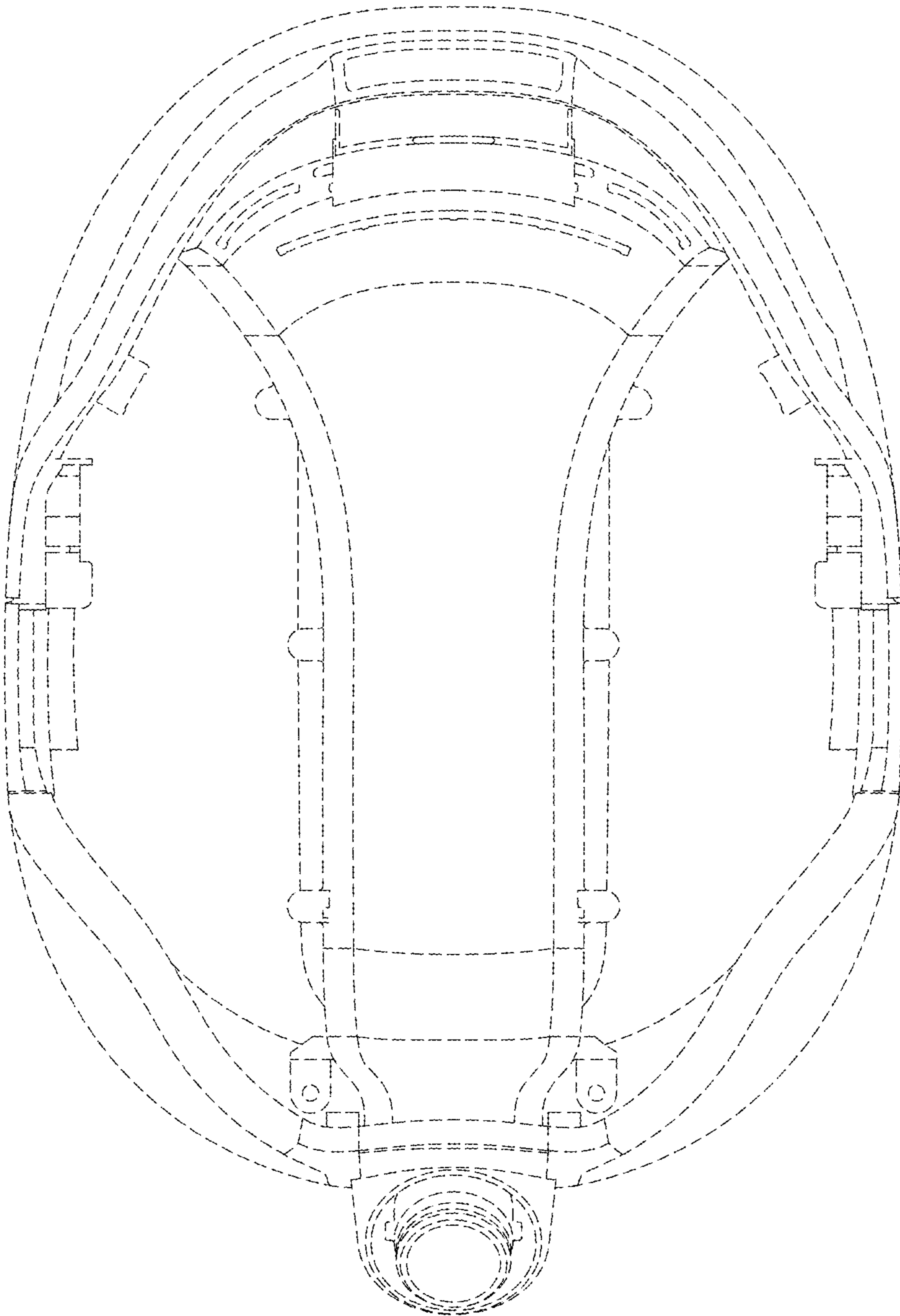


FIG. 7