



US00D888226S

(12) **United States Design Patent** (10) **Patent No.:** **US D888,226 S**
van Roosmalen et al. (45) **Date of Patent:** **** Jun. 23, 2020**

(54) **FLUID INJECTOR**

OTHER PUBLICATIONS

(71) Applicant: **BAYER HEALTHCARE LLC**,
Whippany, NJ (US)

Angioject 3 Brochure, CGR, Paris, France (1975).

(Continued)

(72) Inventors: **Linda van Roosmalen**, Gibsonia, PA (US); **Gerald Callan**, Cranberry Township, PA (US); **Daniel Moore**, Pittsburgh, PA (US); **Kent Diasabeygunawardena**, Nashua, NH (US); **Daniel Van Alphen**, Lexington, MA (US); **Engin Hassamanci**, Medford, MA (US)

Primary Examiner — Darlington Ly

(74) *Attorney, Agent, or Firm* — Lowenstein Sandler LLP

(57) **CLAIM**

The ornamental design for a fluid injector, as shown and described.

DESCRIPTION

(73) Assignee: **Bayer Healthcare LLC**, Whippany, NJ (US)

FIG. 1 is a top perspective view of a fluid injector showing our new design in accordance with a first embodiment;

(**) Term: **15 Years**

FIG. 2 is a front elevation view thereof with a support bracket in a retracted position;

(21) Appl. No.: **29/680,381**

FIG. 3 is a front elevation view thereof with a support bracket in an extended position;

(22) Filed: **Feb. 15, 2019**

FIG. 4 is a rear elevation view thereof;

(51) **LOC (12) Cl.** **24-01**

FIG. 5 is a right side elevation view thereof;

(52) **U.S. Cl.**

FIG. 6 is a left side elevation view thereof;

USPC **D24/108; D24/111**

FIG. 7 is a top view thereof;

(58) **Field of Classification Search**

USPC **D24/107, 108, 111, 169, 231-232**

FIG. 8 is a bottom view thereof;

(Continued)

FIG. 9 is a top perspective view of a fluid injector showing our new design in accordance with a second embodiment;

(56) **References Cited**

U.S. PATENT DOCUMENTS

D400,252 S * 10/1998 Ropiak D24/118
D426,892 S 6/2000 Beale et al.

FIG. 10 is a front elevation view thereof with a support bracket in a retracted position;

(Continued)

FIG. 11 is a front elevation view thereof with a support bracket in an extended position;

FOREIGN PATENT DOCUMENTS

EP 1838365 B1 10/2007
EP 1847284 A1 10/2007

FIG. 12 is a rear elevation view thereof;

(Continued)

FIG. 13 is a right side elevation view thereof;

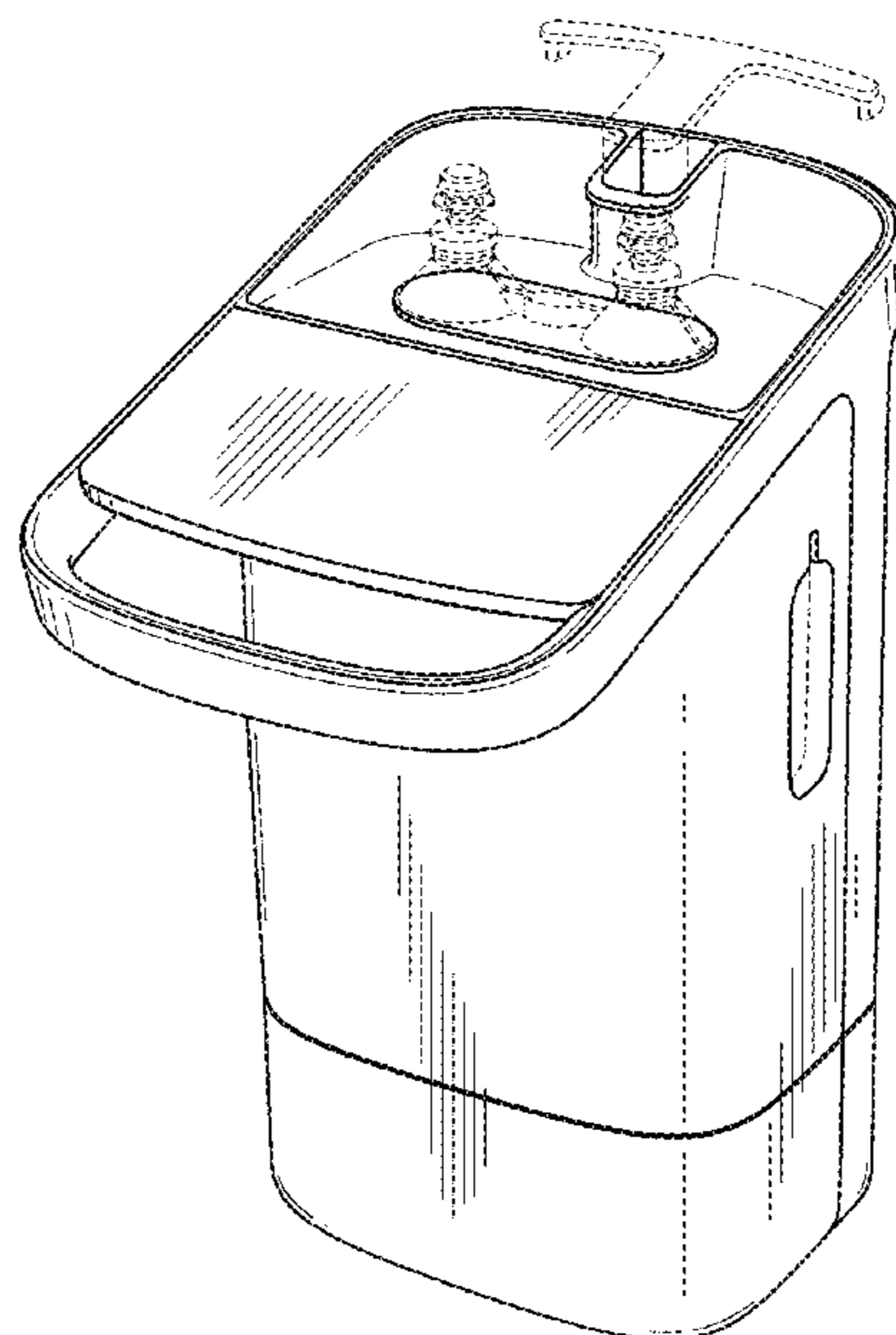
FIG. 14 is a left side elevation view thereof;

FIG. 15 is a top view thereof; and,

FIG. 16 is a bottom view thereof.

The portions of the fluid injector shown in broken lines form no part of the claimed design.

1 Claim, 16 Drawing Sheets



(58) **Field of Classification Search**
 CPC A61J 1/20; A61J 1/2003
 See application file for complete search history.

(56) **References Cited**

U.S. PATENT DOCUMENTS

6,155,066	A *	12/2000	Chandler	B05B 11/0005 62/292
D446,860	S *	8/2001	Meziere	D24/169
D452,737	S	1/2002	Nolan et al.	
D459,438	S *	6/2002	Knowles	D23/225
6,733,478	B2	5/2004	Reilly et al.	
6,936,030	B1	8/2005	Pavlik et al.	
D545,967	S *	7/2007	Joyce	D24/160
7,682,345	B2	3/2010	Savage	
D615,189	S *	5/2010	McGill	D24/111
D629,866	S *	12/2010	Brass	D23/213
D641,866	S *	7/2011	Burgess	D24/121
D644,730	S *	9/2011	Franzoni	D24/111
8,147,464	B2	4/2012	Spohn et al.	
D672,455	S *	12/2012	Beck	D24/111
D802,118	S *	11/2017	Peret	D24/111
D813,376	S *	3/2018	Peret	D24/111
D816,829	S *	5/2018	Peret	D24/111
10,016,618	B2	7/2018	Hirschman et al.	
10,022,493	B2	7/2018	Shearer et al.	
D851,745	S *	6/2019	Shauver	D24/108
D874,644	S *	2/2020	Shauver	D24/108
2016/0331951	A1	11/2016	Sokolov et al.	
2017/0035959	A1	2/2017	Riley et al.	
2018/0169327	A1	6/2018	Iddon et al.	

FOREIGN PATENT DOCUMENTS

WO	2018140341	A1	8/2018
WO	2019046299	A1	3/2019

OTHER PUBLICATIONS

“Angiomat ILLUMENA Digital Injection System Operator’s Manual Rev G”, Liebel-Flarsheim Company, Apr. 1999.

Apollo; Rt Co. Ltd., “Brochure for Dedicated Contrast Media Injector for CT APO100”, APOSTAR Medical (Shanghai) Limited, Aug. 2016.

Apollo; Rt Co. Ltd., “Brochure for Dedicated Contrast Media Injector for CT APO200”, APOSTAR Medical (Shanghai) Limited, Jul. 2016.

“Screenshot of Website of Dongjia Medical showing CT enhanced injection”, Dongjia Medical, accessed online on Sep. 2017.

EZEM., “Ezem Empower CT Injector System User’s Manual Rev G”, 2003.

E-Z-EM., “Manual and Operations Guide for PercuPump 1A CT Injector System”, 1990.

Imaxeon; Pty Ltd., “Medrad Salient Contrast Injection System Operation Manual”, Bayer HealthCare, 2017.

Imaxeon; Pty. Ltd., “ViSiMAX CT Contrast Injector Operation Manual”, 2004.

Liebel-Flarsheim company—Angiomat 6000 Digital Injection System Operator’s Manual, 600950 Rev 1 (1990); p. 3-6 to 3-8, 4-52 to 4-56.

Liebel-Flarsheim Company, CT 9000 Digital Injection System Operators Manual, 800950, Rev. F, pp. 5-24 through 5-38 (1995).

Mallinckrodt Optistar MR Digital Injection System, Operator’s Manual, 801900-A (Nov. 1999).

Mark V/Mark V Plus Injector Operation Manual KMP 805P Rev. B. Medrad, Inc, 1990.

Medrad; Inc., “Mark II Operation Manual”, 1980.

Medrad; Inc., “Mark III Injection System Operation Manual”, 1972.

Medrad; Inc., “Mark IV Angiographic Injector Series 2000 and up and CT Injector Field Service Manual Rev A”, Jun. 20, 1996.

Medrad; Inc., “MCT/MCT Plus Operation Manual Rev B”, 1991.

Medtron; Ag., “Essential for Contrast Medtron AG Product Catalogue”, 2014.

Nemoto; Kyorindo Co. Ltd., “Contrast Media Injection Device Dual Shot Operation Manual Third Edition”.

Sino; Medical-Device Technology Co. Ltd., “Contrast Media Injectors (for CT/MRI/DSA Series) Catalog”, Nov. 2016.

Swiss; Medical Care., “CT Expres Contrast Media Delivery System Operation Manual Rev 1”, 2004.

Ulrich; Gmbh & Co. Kg., “Mississippi/Missouri CT/MR Injector Brochure”, Nov. 1999.

Ulrich; Medical., “Brochure for The contrast program Ulrich medical contrast media injectors”, ulrich GmbH & Co. KG, 2016.

* cited by examiner

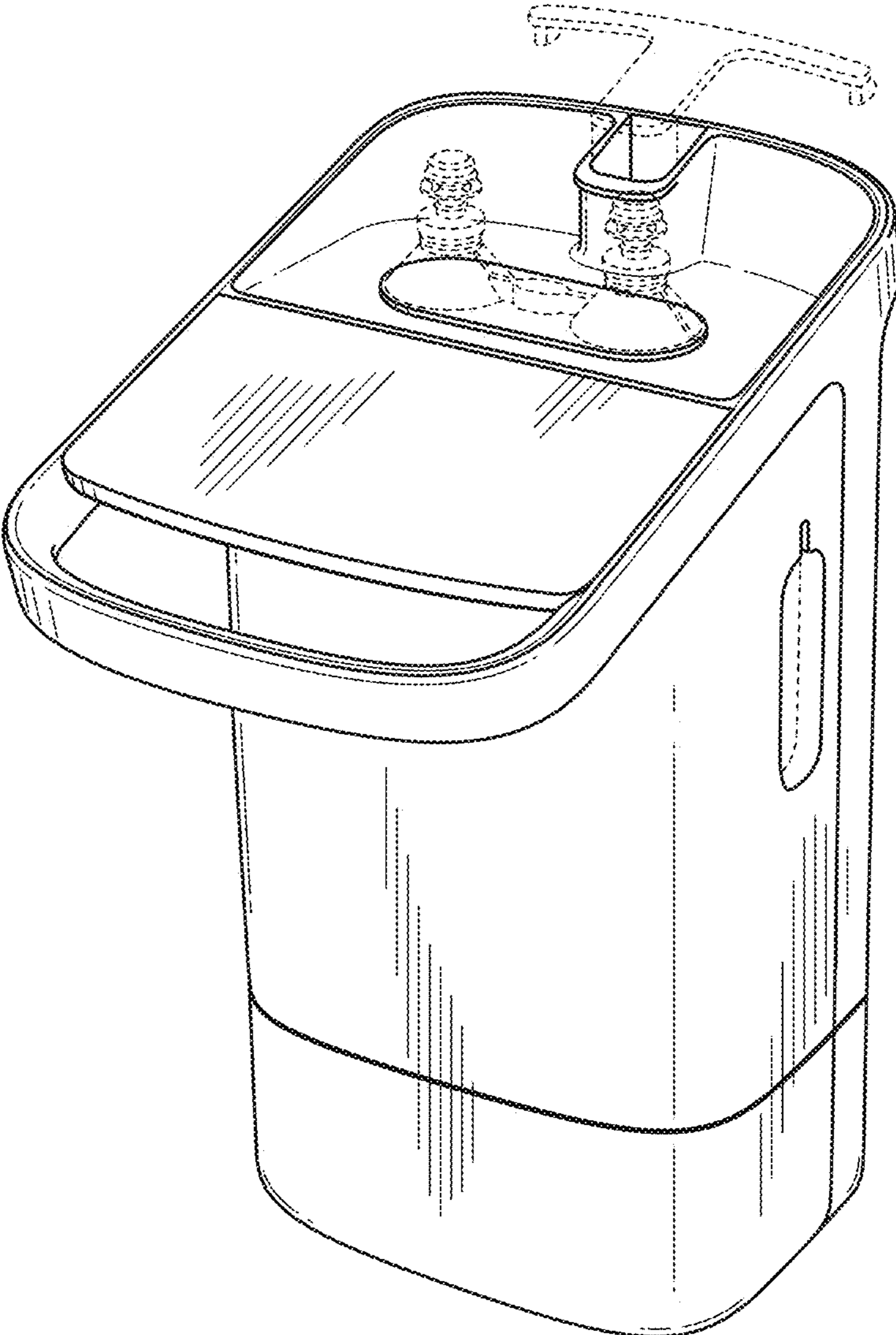


FIG. 1

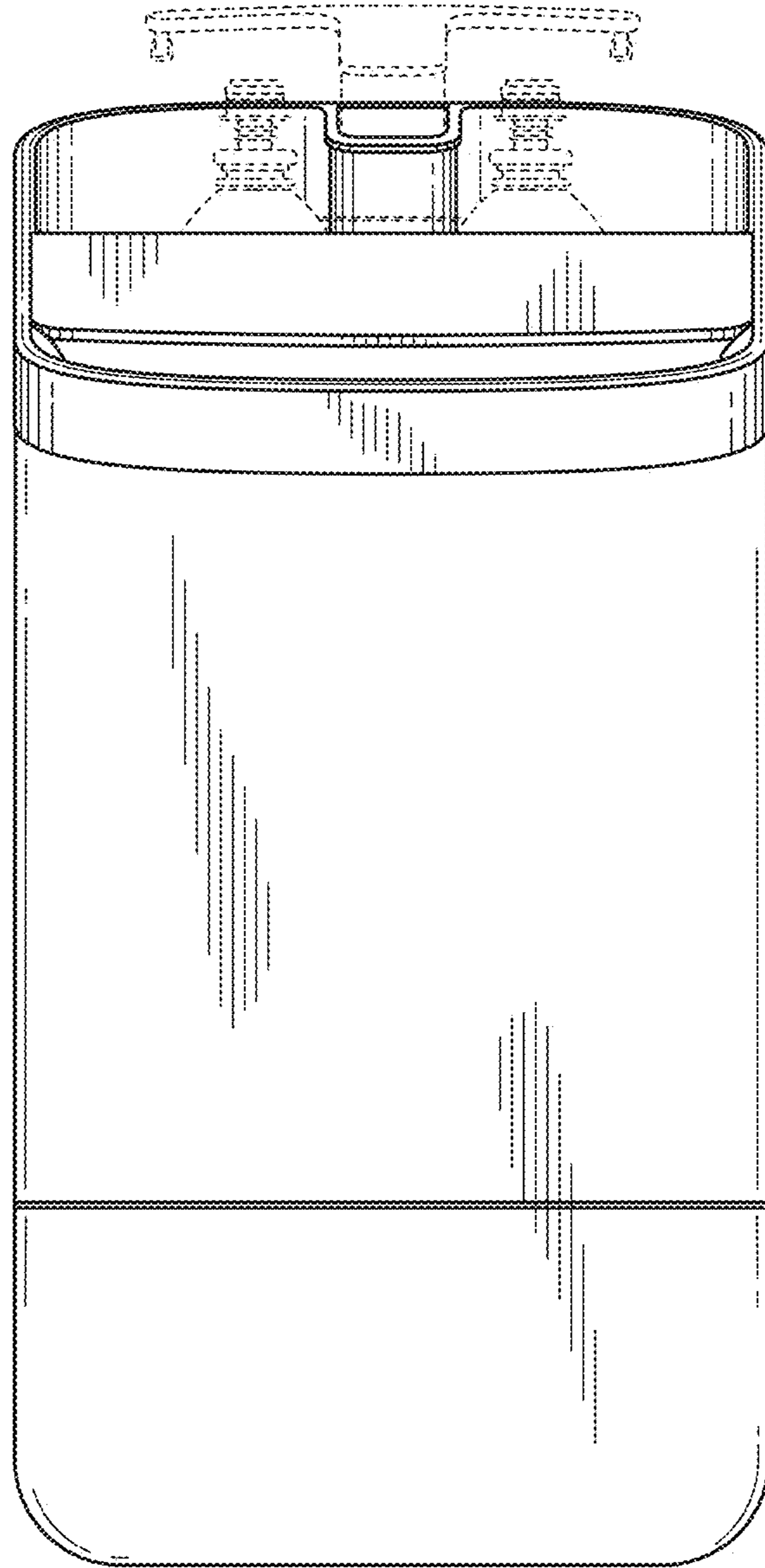


FIG. 2

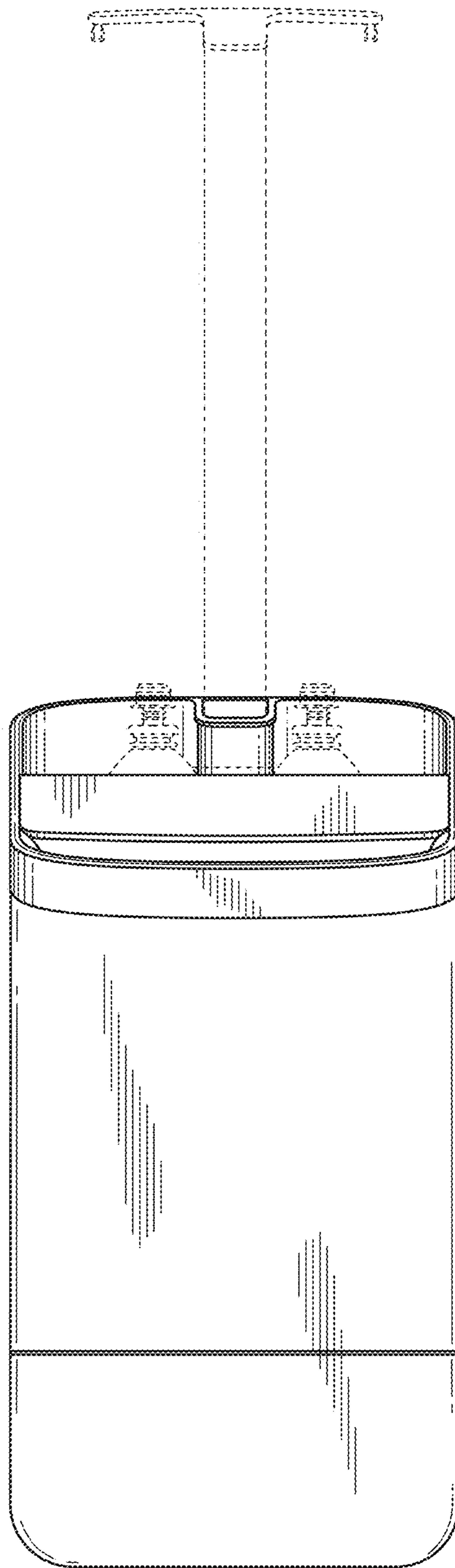


FIG. 3

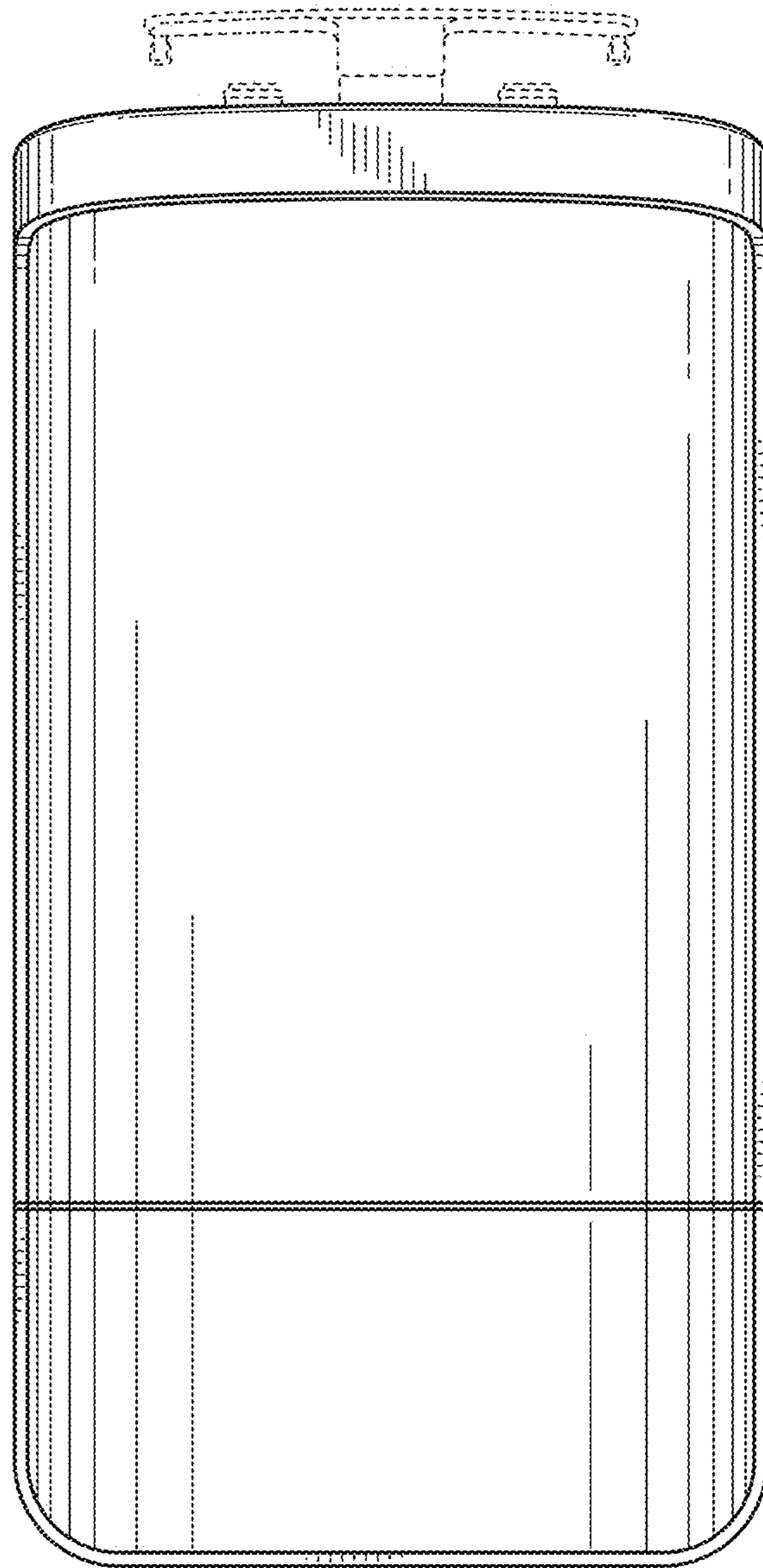


FIG. 4

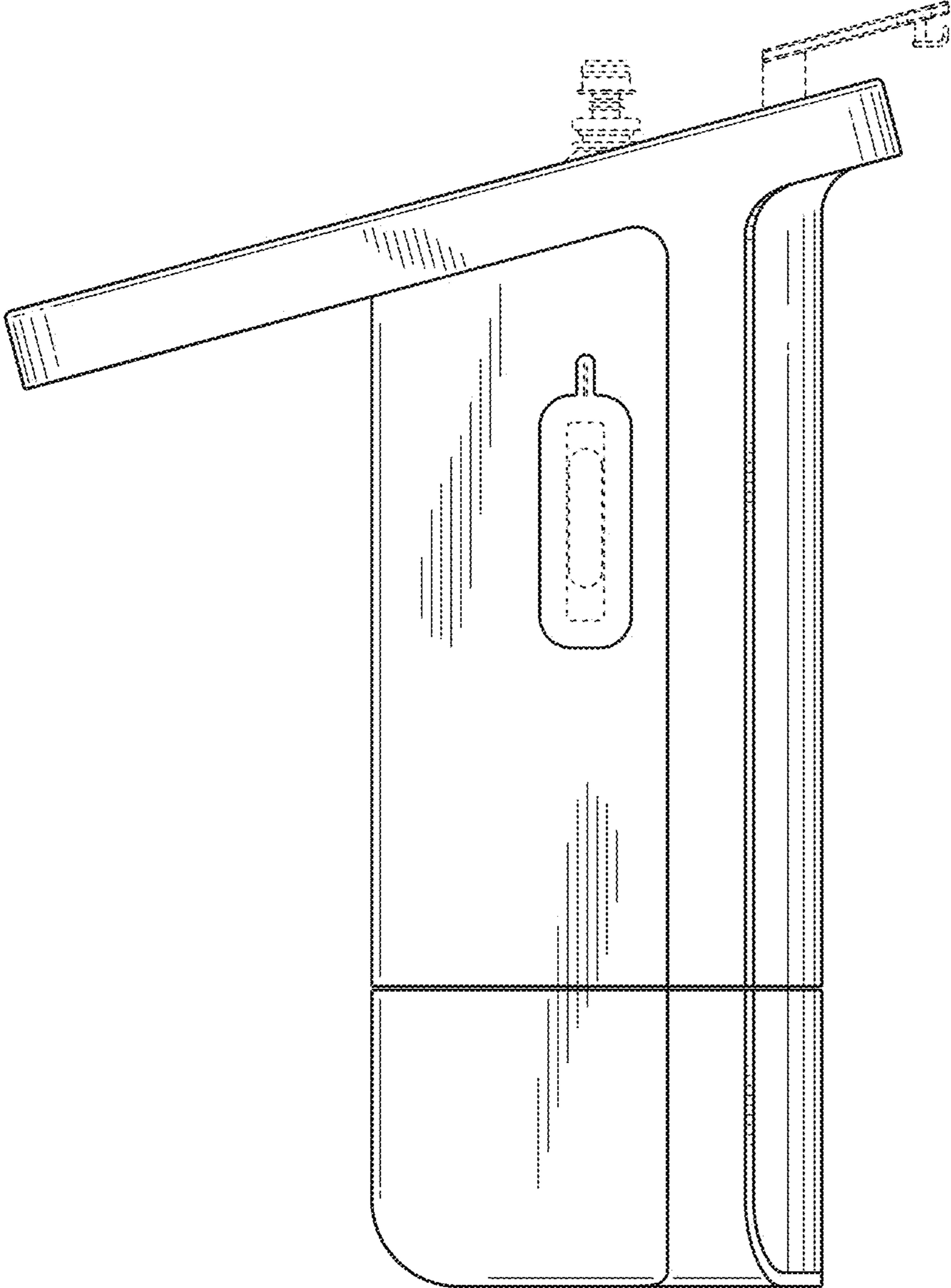


FIG. 5

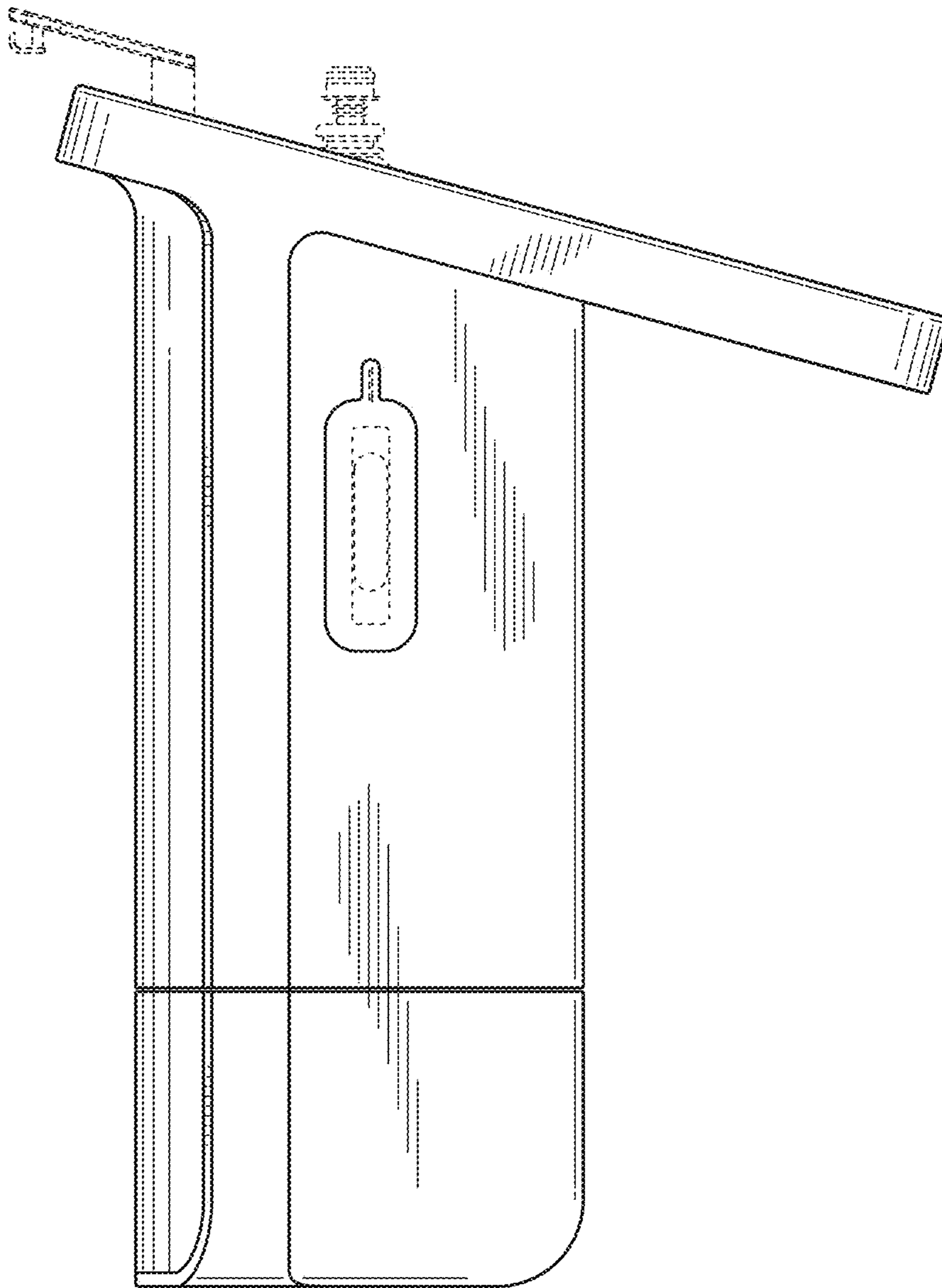


FIG. 6

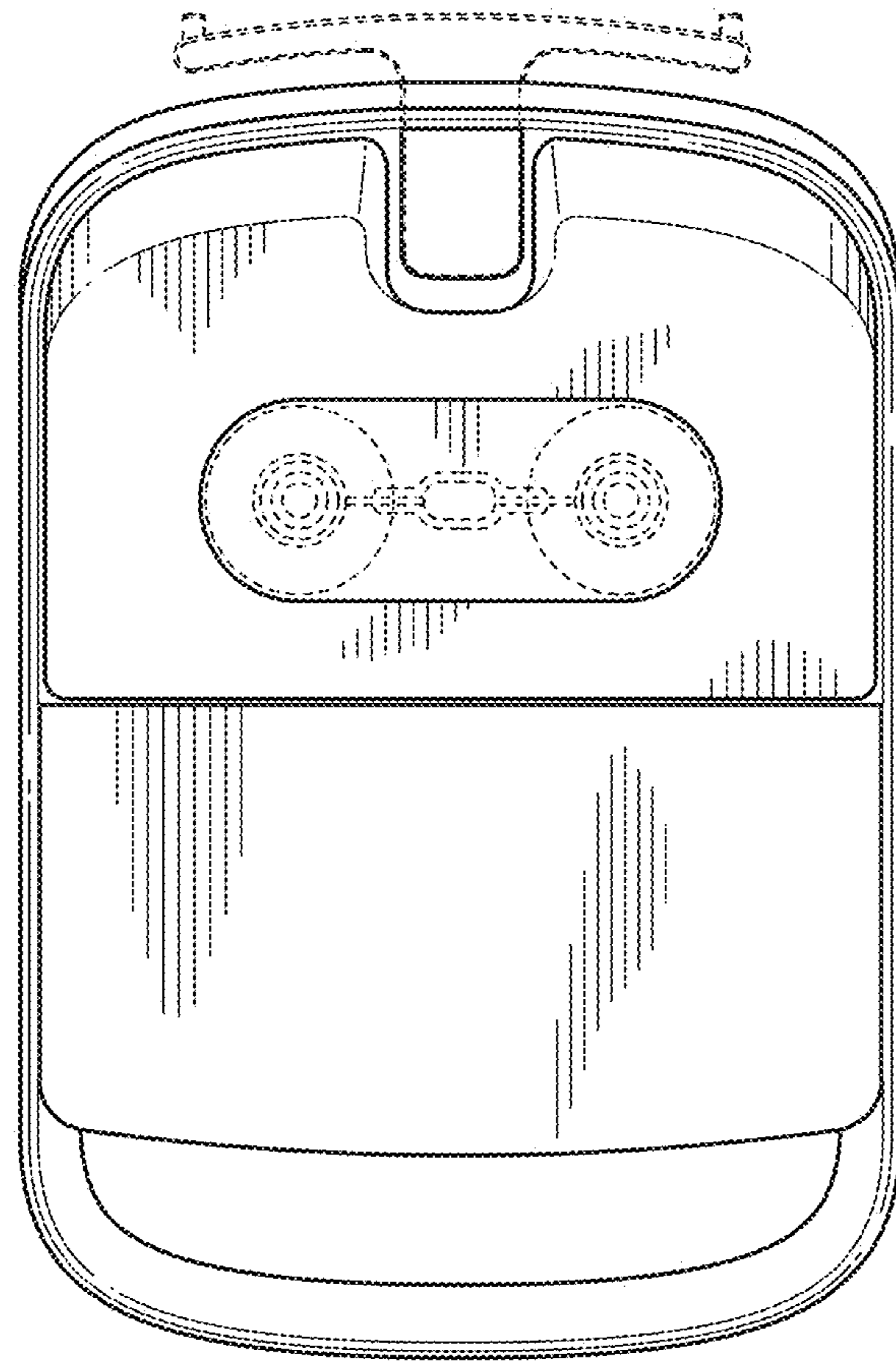


FIG. 7

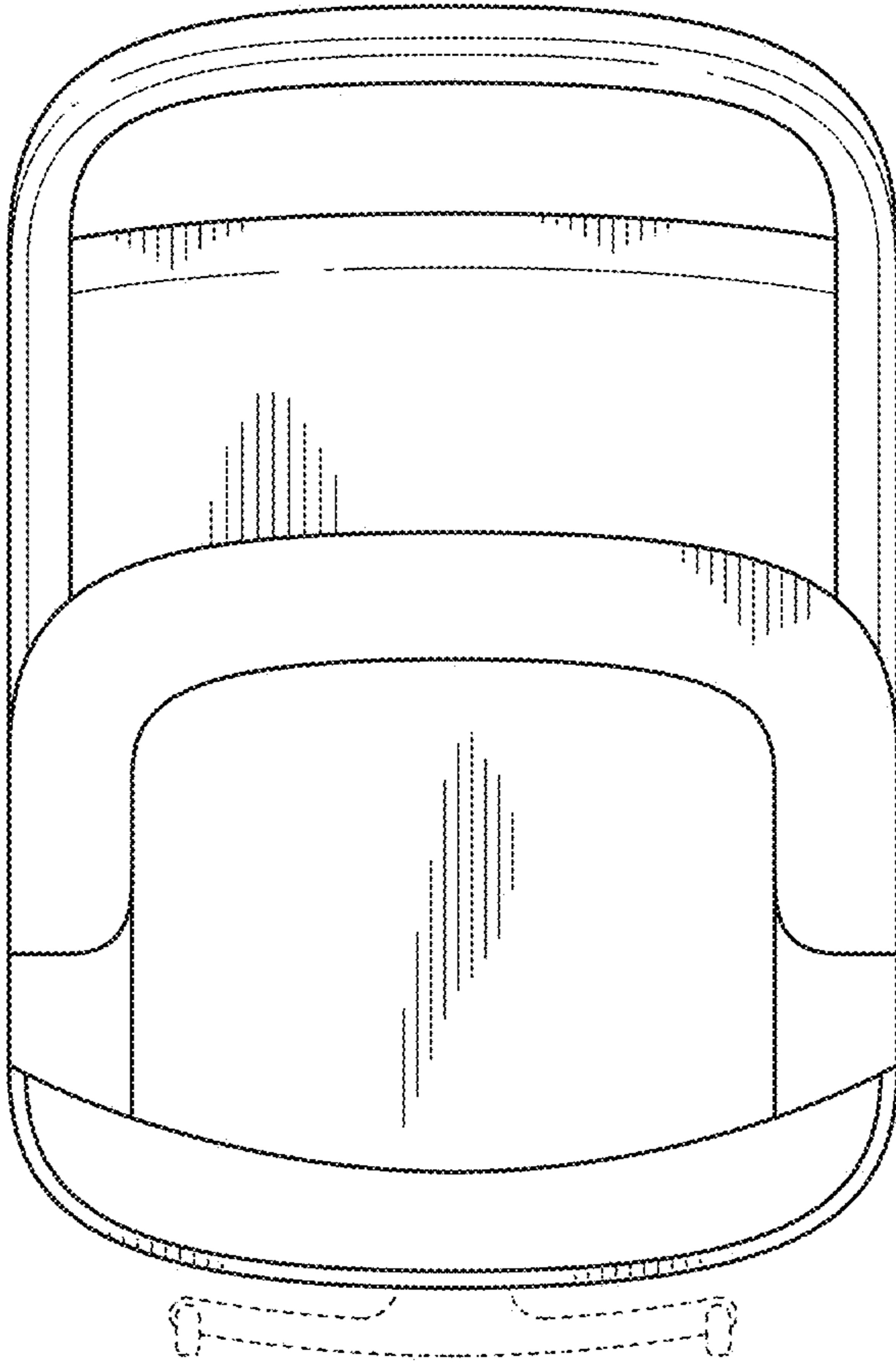


FIG. 8

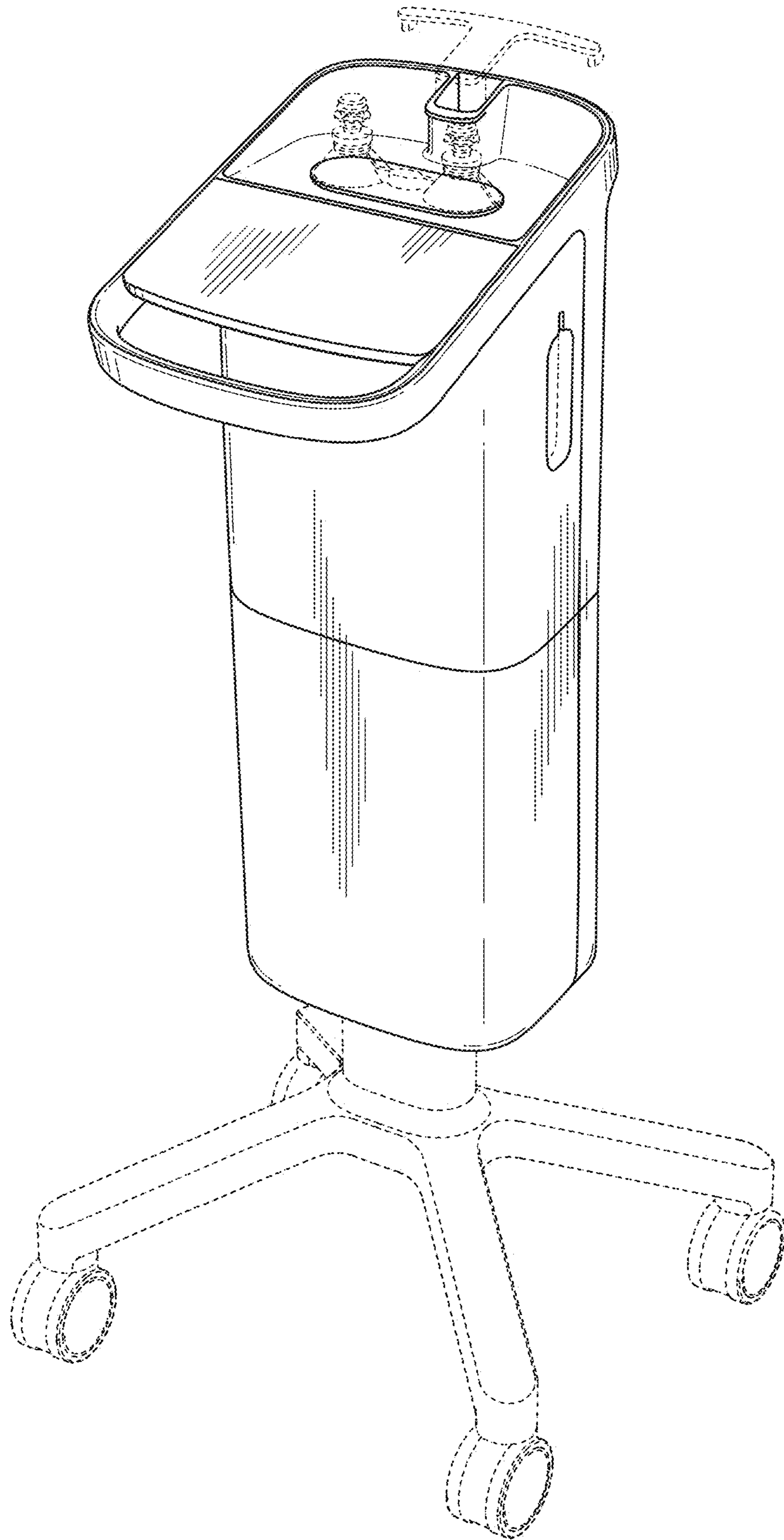


FIG. 9

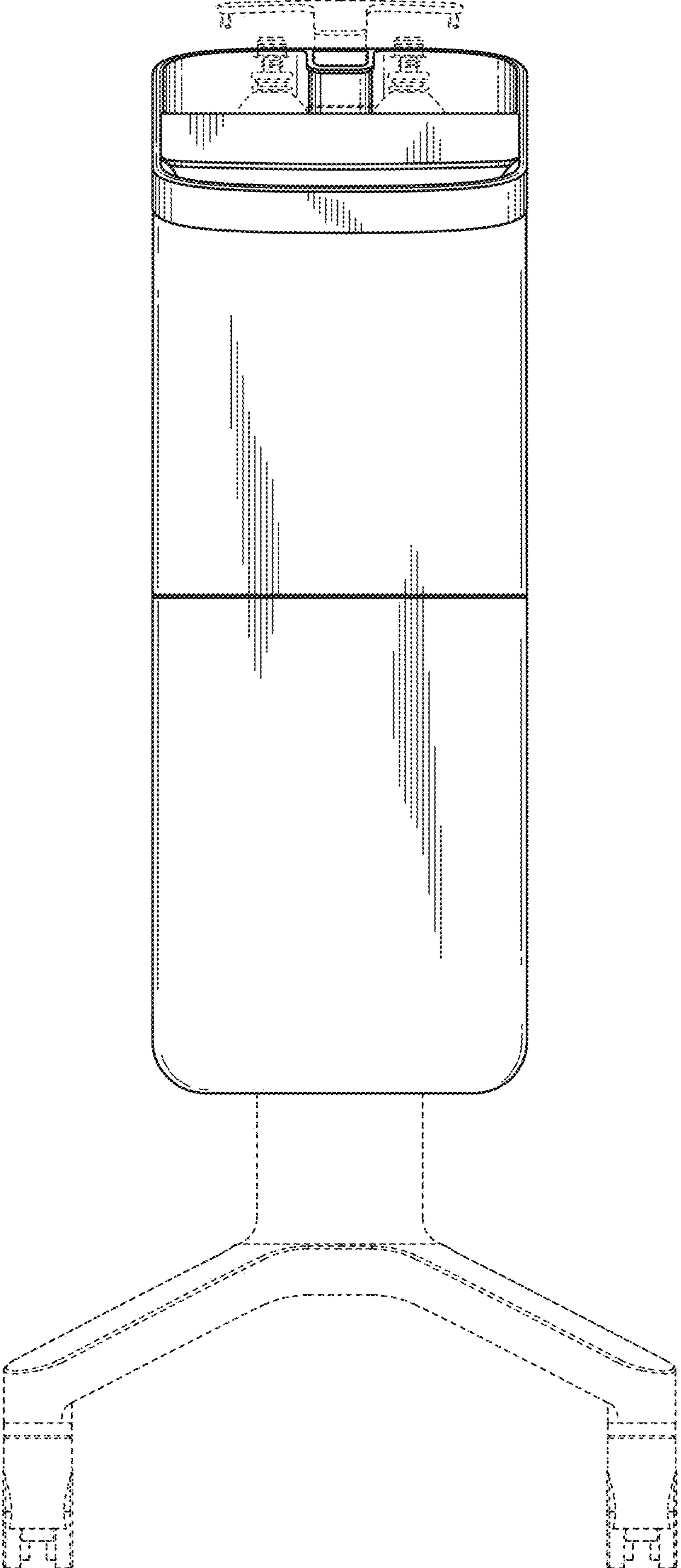


FIG. 10

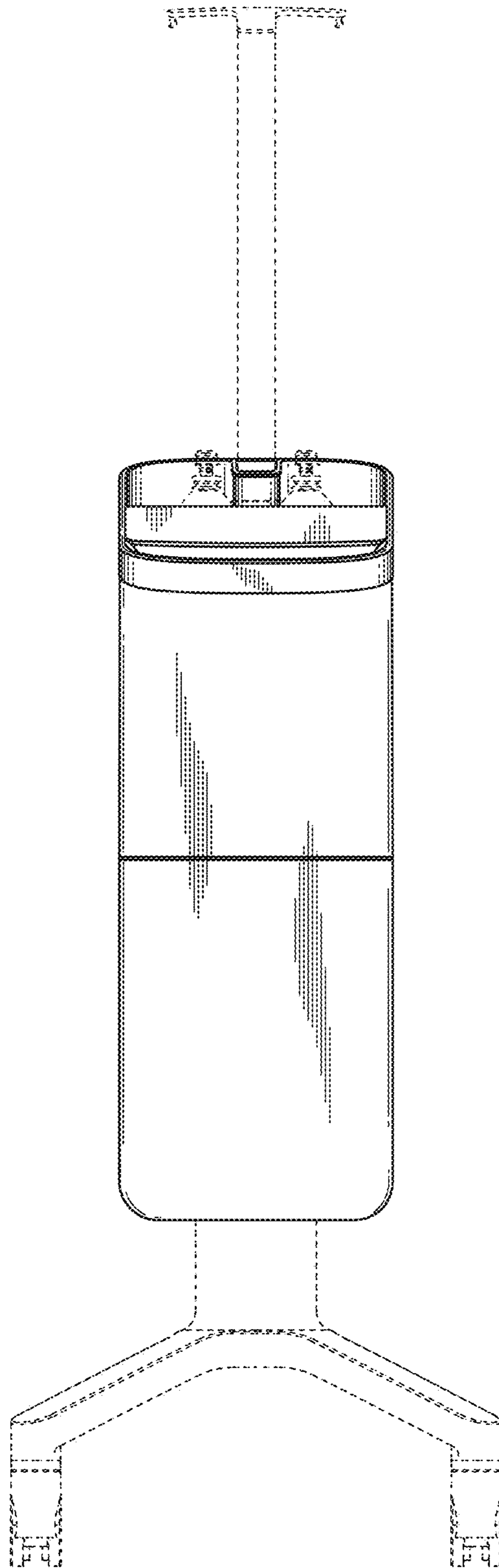


FIG. 11

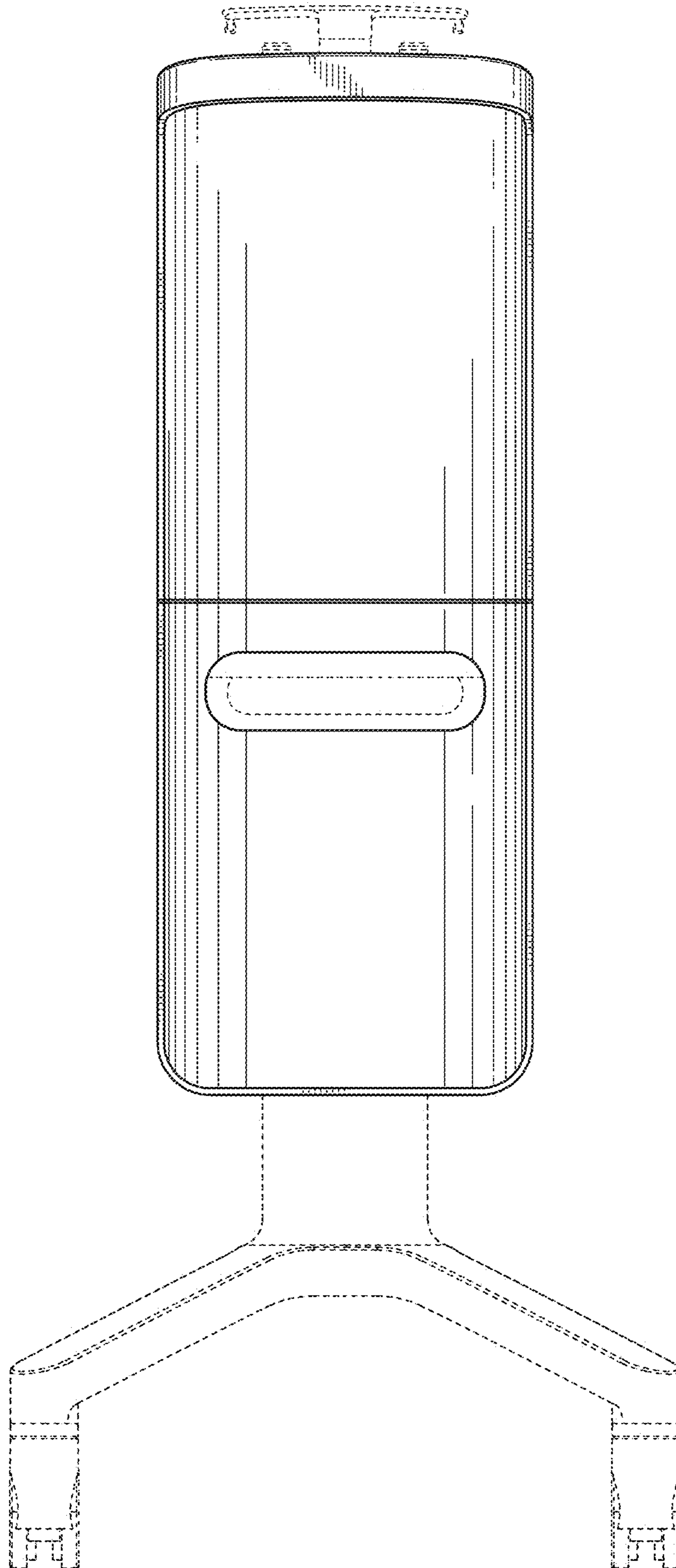


FIG. 12

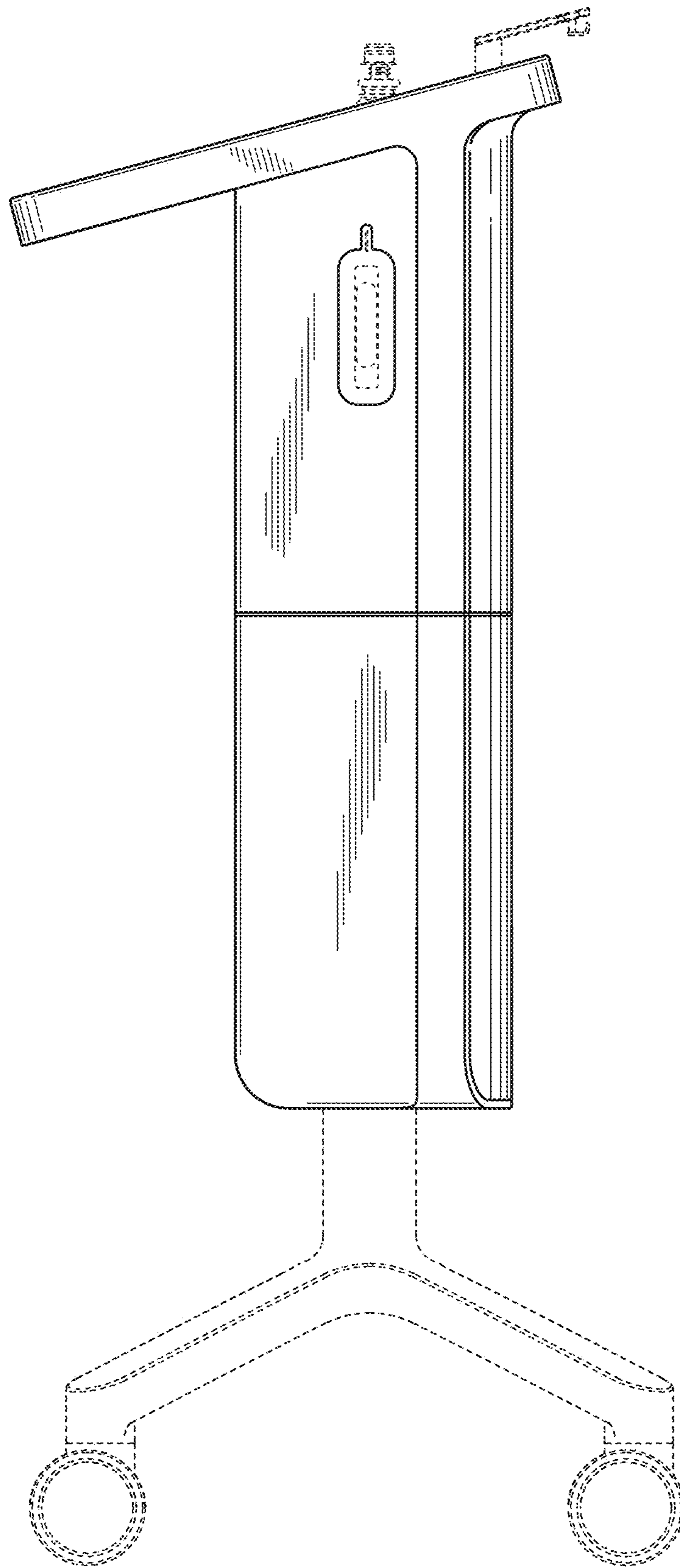


FIG. 13

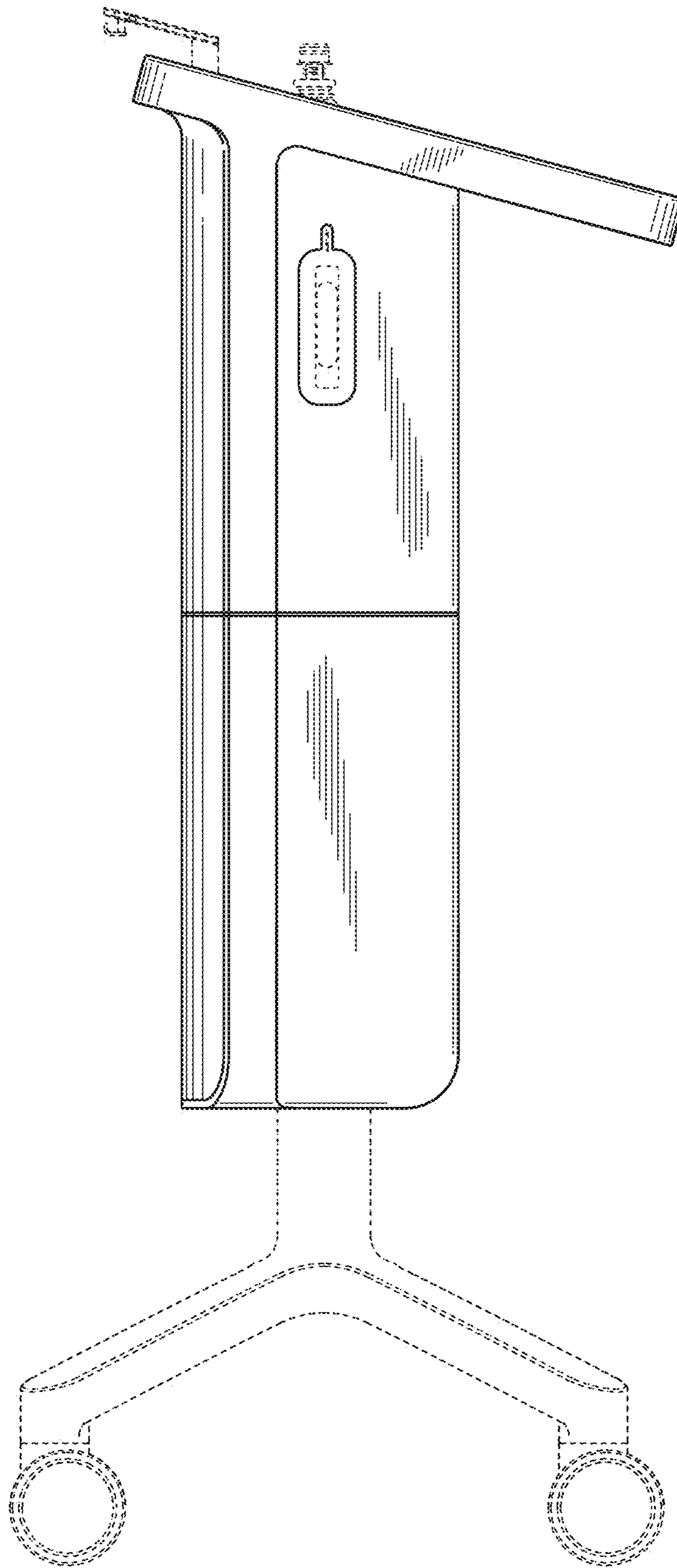


FIG. 14

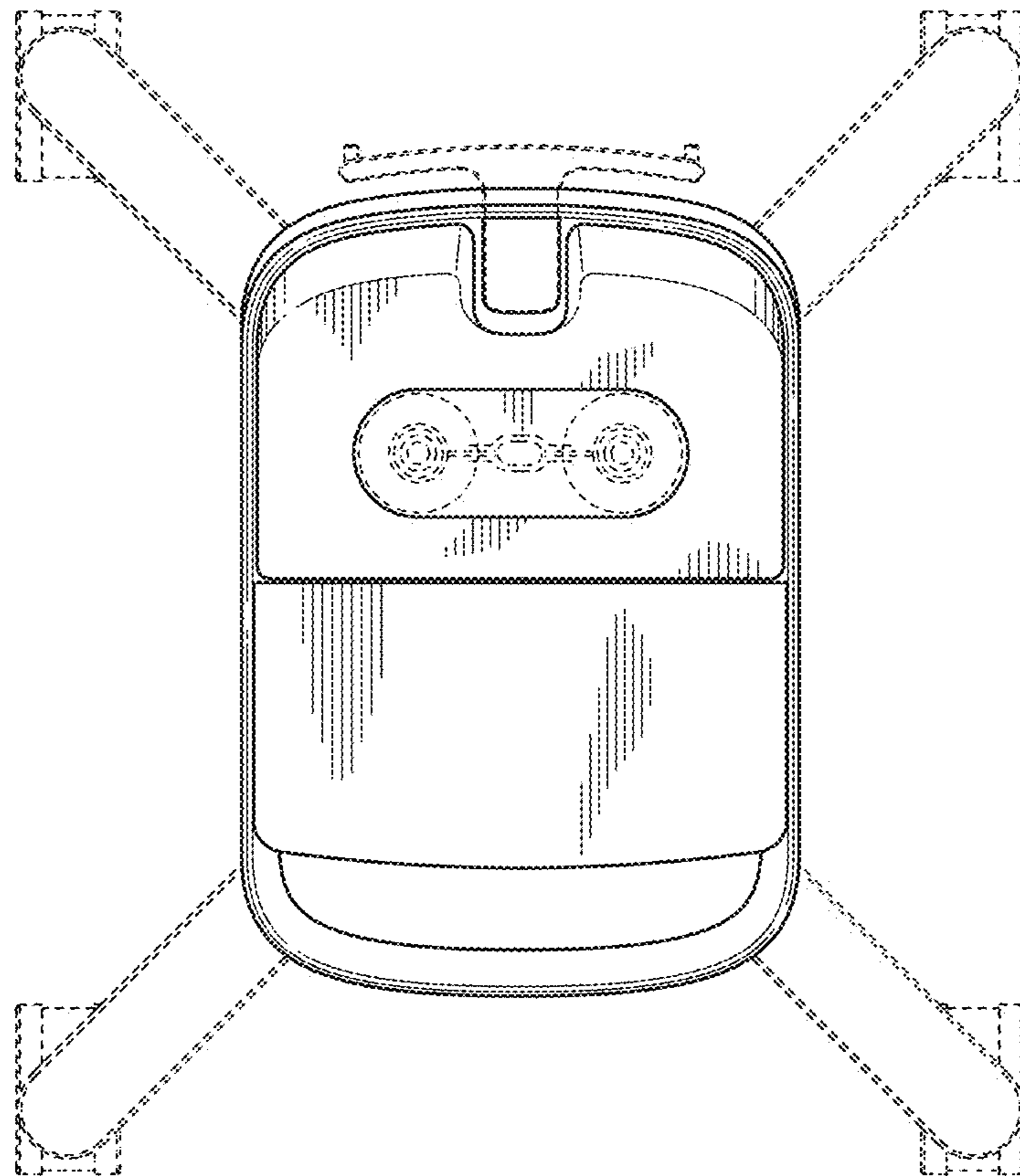


FIG. 15

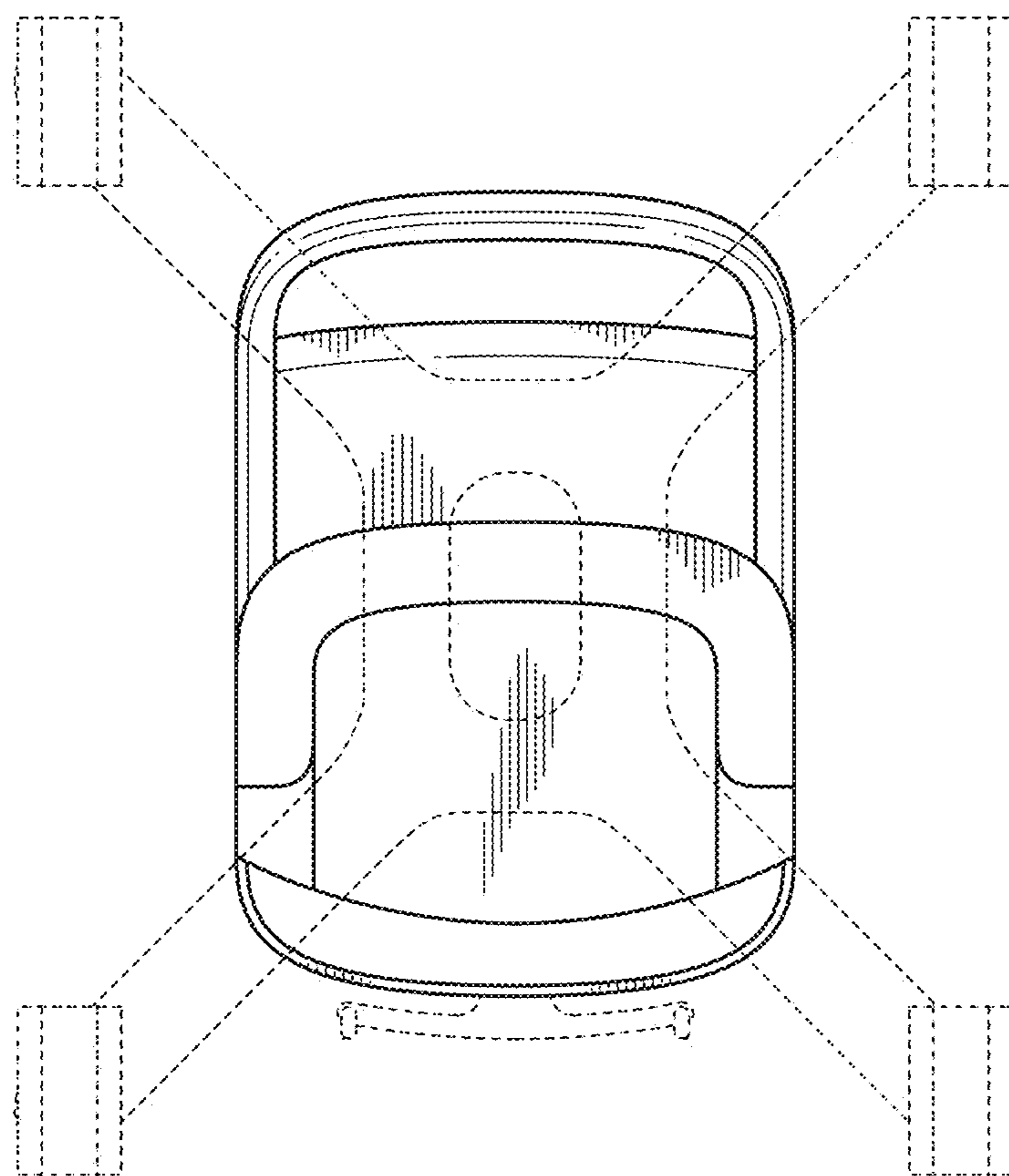


FIG. 16