



US00D888225S

(12) **United States Design Patent** (10) **Patent No.:** **US D888,225 S**
Askem et al. (45) **Date of Patent:** **** Jun. 23, 2020**

(54) **PUMP AND CANISTER ASSEMBLY FOR NEGATIVE PRESSURE WOUND THERAPY**

(74) *Attorney, Agent, or Firm* — Knobbe, Martens, Olson & Bear, LLP

(71) Applicant: **Smith & Nephew Asia Pacific Pte. Limited**, Singapore (SG)

(57) **CLAIM**

The ornamental design for a pump and canister assembly for negative pressure wound therapy, as shown and described.

(72) Inventors: **Ben Alan Askem**, Leeds (GB); **Simon Francis Brereton**, Odsey (GB); **Matthew Keith Fordham**, Saffron Walden (GB); **Mark Richard Hesketh**, Sandy (GB); **Mark Edward Jones**, St Neots (GB); **Hannah Bailey Sidebottom**, Lincoln (GB); **Robert Simmonds**, Kings Lynn (GB)

DESCRIPTION

(73) Assignee: **Smith & Nephew Asia Pacific Pte. Limited**, Singapore (SG)

FIG. 1 is a front, right side perspective view of a pump and canister assembly for negative pressure wound therapy showing our new design;
FIG. 2 is a bottom, right side perspective view thereof;
FIG. 3 is a front view thereof;
FIG. 4 is a rear view thereof;
FIG. 5 is a left side view thereof;
FIG. 6 is a right side view thereof;
FIG. 7 is a top view thereof;
FIG. 8 is a bottom view thereof;
FIG. 9 is a front, right side perspective view of the pump for the pump and canister assembly for negative pressure wound therapy of FIG. 1;
FIG. 10 is a bottom, right side perspective view thereof;
FIG. 11 is a front view thereof;
FIG. 12 is a rear view thereof;
FIG. 13 is a left side view thereof;
FIG. 14 is a right side view thereof;
FIG. 15 is a top view thereof;
FIG. 16 is a bottom view thereof;
FIG. 17 is a front, right side perspective view of the canister for the pump and canister assembly for negative pressure wound therapy of FIG. 1;
FIG. 18 is a bottom, right side perspective view thereof;
FIG. 19 is a front view thereof;
FIG. 20 is a rear view thereof;
FIG. 21 is a left side view thereof;
FIG. 22 is a right side view thereof;
FIG. 23 is a top view thereof; and,
FIG. 24 is a bottom view thereof.

(**) Term: **15 Years**

(21) Appl. No.: **29/645,903**

(22) Filed: **Apr. 30, 2018**

(51) **LOC (12) Cl.** **24-01**

(52) **U.S. Cl.**
USPC **D24/108**

(58) **Field of Classification Search**
USPC D24/107, 108, 111, 188, 185
(Continued)

(56) **References Cited**

U.S. PATENT DOCUMENTS

5,514,088 A 5/1996 Zakko
5,712,795 A 1/1998 Layman et al.
(Continued)

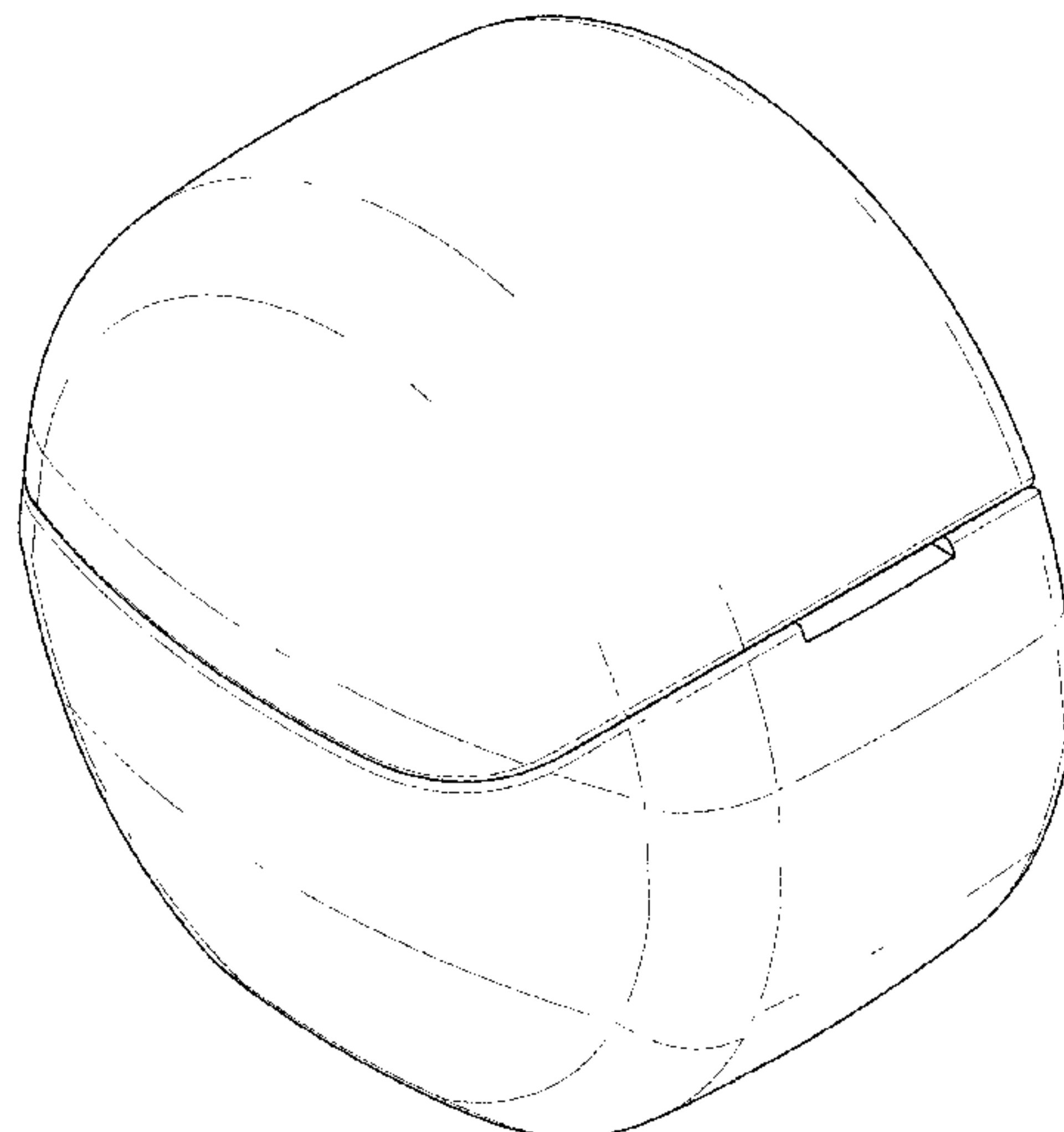
FOREIGN PATENT DOCUMENTS

DE 10 2015 215165 A1 2/2017
EP 3 124 059 2/2017
(Continued)

The broken lines in the drawings depict portions of the pump and canister assembly for negative pressure wound therapy that form no part of the claimed design.

Primary Examiner — Lilyana Bekic

1 Claim, 21 Drawing Sheets



(58) **Field of Classification Search**
 CPC .. A61M 1/0088; A61M 1/0031; A61M 27/00;
 A61M 1/0023; A61M 1/0001; A61M
 1/009; A61M 1/0096; A61M 1/0058;
 A61M 1/0066; A61M 1/00
 See application file for complete search history.

9,923,401 B2 10/2018 Jung
 10,143,785 B2 12/2018 Adams et al.
 10,155,070 B2 12/2018 Childress et al.
 2002/0030002 A1 3/2002 Verkaart et al.
 2007/0032763 A1 2/2007 Vogel
 2009/0299306 A1* 12/2009 Buan A61M 1/0031
 604/319
 2010/0244780 A1 9/2010 Turner
 2011/0006876 A1 1/2011 Moberg et al.
 2011/0040268 A1* 2/2011 Eckstein A61M 1/0023
 604/319

(56) **References Cited**

U.S. PATENT DOCUMENTS

6,027,490 A 2/2000 Radford et al.
 6,396,407 B1 5/2002 Kobayashi
 D475,132 S 5/2003 Randolph
 7,004,915 B2 2/2006 Boynton et al.
 7,022,113 B2 4/2006 Lockwood et al.
 7,070,584 B2 7/2006 Johnson et al.
 7,214,202 B1 5/2007 Vogel et al.
 D581,042 S * 11/2008 Randolph D24/111
 D590,934 S 4/2009 Randolph et al.
 D602,582 S * 10/2009 Pidgeon D24/108
 D602,583 S 10/2009 Pidgeon et al.
 D602,584 S 10/2009 Pidgeon et al.
 7,611,500 B1 11/2009 Lina et al.
 D625,801 S 10/2010 Pidgeon et al.
 7,857,806 B2 12/2010 Karpowicz et al.
 D630,313 S * 1/2011 Pidgeon D24/108
 D630,725 S 1/2011 Pidgeon et al.
 7,927,319 B2 4/2011 Lawhorn
 D645,137 S 9/2011 Gonzalez
 8,021,348 B2 9/2011 Risk, Jr. et al.
 8,062,272 B2 11/2011 Weston
 8,066,243 B2 11/2011 Svedman et al.
 8,070,735 B2 12/2011 Koch et al.
 D654,164 S * 2/2012 Cole D24/108
 D660,409 S * 5/2012 Taggerty D24/108
 8,216,197 B2 7/2012 Simmons et al.
 8,226,620 B2 7/2012 Giezendanner et al.
 8,308,714 B2 11/2012 Weston et al.
 8,366,692 B2 2/2013 Weston
 8,480,641 B2 7/2013 Jacobs
 8,641,693 B2 2/2014 Locke et al.
 8,668,677 B2 3/2014 Eckstein et al.
 8,827,967 B2 9/2014 Lawhorn
 8,858,517 B2 10/2014 Pan et al.
 8,905,985 B2 12/2014 Allen et al.
 9,084,845 B2 7/2015 Adie et al.
 9,138,531 B2 9/2015 Yodfat et al.
 9,199,010 B2 12/2015 Yao et al.
 D750,222 S * 2/2016 Chang D24/108
 9,327,063 B2 5/2016 Locke et al.
 9,333,281 B2 5/2016 Giezendanner et al.
 D764,047 S * 8/2016 Bjelovuk D24/108
 D764,048 S 8/2016 Bjelovuk et al.
 D764,653 S 8/2016 Bjelovuk et al.
 D764,654 S 8/2016 Bjelovuk et al.
 9,427,505 B2 8/2016 Askem et al.
 D765,830 S * 9/2016 Bjelovuk D24/108
 9,445,948 B2 9/2016 Smola
 D788,293 S * 5/2017 Eckstein D24/111
 9,737,649 B2 8/2017 Begin et al.
 D797,275 S * 9/2017 Evans D24/108
 D802,744 S 11/2017 Bjelovuk et al.
 9,901,664 B2 2/2018 Askem
 D813,374 S 3/2018 Bjelovuk et al.
 D814,016 S * 3/2018 Bjelovuk D24/108
 D815,726 S * 4/2018 Bjelovuk D24/108
 D815,727 S 4/2018 Bjelovuk et al.

2011/0060300 A1 3/2011 Weig et al.
 2011/0196291 A1 8/2011 Vischer et al.
 2012/0289913 A1 11/2012 Eckstein et al.
 2013/0012772 A1 1/2013 Gunday et al.
 2013/0237937 A1 9/2013 Ramella et al.
 2013/0267917 A1 10/2013 Pan et al.
 2014/0276488 A1 9/2014 Locke et al.
 2015/0174320 A1 6/2015 Grant et al.
 2015/0231021 A1 8/2015 Smith et al.
 2015/0246164 A1 9/2015 Heaton et al.
 2015/0320916 A1 11/2015 Croteau et al.
 2016/0015872 A1 1/2016 Luckemeyer et al.
 2016/0213843 A1 7/2016 Despa et al.
 2016/0250398 A1 9/2016 Barr et al.
 2016/0271305 A1 9/2016 Kurihara et al.
 2016/0303358 A1 10/2016 Croizat et al.
 2017/0165405 A1 6/2017 Muser et al.
 2017/0216501 A1 8/2017 Armstrong et al.
 2017/0296716 A1 10/2017 Middleton et al.
 2017/0319758 A1* 11/2017 Eddy A61M 1/007
 2017/0354767 A1 12/2017 Carr et al.
 2018/0001000 A1 1/2018 Herwig et al.
 2018/0021178 A1 1/2018 Locke et al.
 2018/0250459 A1 9/2018 Kimball et al.
 2018/0318476 A1 11/2018 Askem et al.
 2018/0326129 A1 11/2018 Askem et al.
 2019/0167867 A1 6/2019 Adams et al.

FOREIGN PATENT DOCUMENTS

EP 3 124 060 2/2017
 WO WO 2000/61206 10/2000
 WO WO 2008/039223 4/2008
 WO WO 2012/004298 1/2012
 WO WO 2012/100624 8/2012
 WO WO 2014/164655 10/2014
 WO WO 2015/197462 12/2015
 WO WO 2016/018448 2/2016
 WO WO 2016/103033 6/2016
 WO WO 2016/103035 6/2016
 WO WO 2016/109048 7/2016
 WO WO 2017/027850 2/2017
 WO WO 2017/044138 3/2017
 WO WO 2017/062042 4/2017
 WO WO 2017/160412 9/2017
 WO WO 2017/197357 A1 11/2017
 WO WO 2017/197357 A4 1/2018
 WO WO 2018/009873 1/2018
 WO WO 2018/009880 1/2018
 WO WO 2018/041854 3/2018
 WO WO 2018/150263 8/2018
 WO WO 2018/150267 8/2018
 WO WO 2018/150268 8/2018
 WO WO 2018/167199 9/2018
 WO WO 2019/211730 11/2019

* cited by examiner

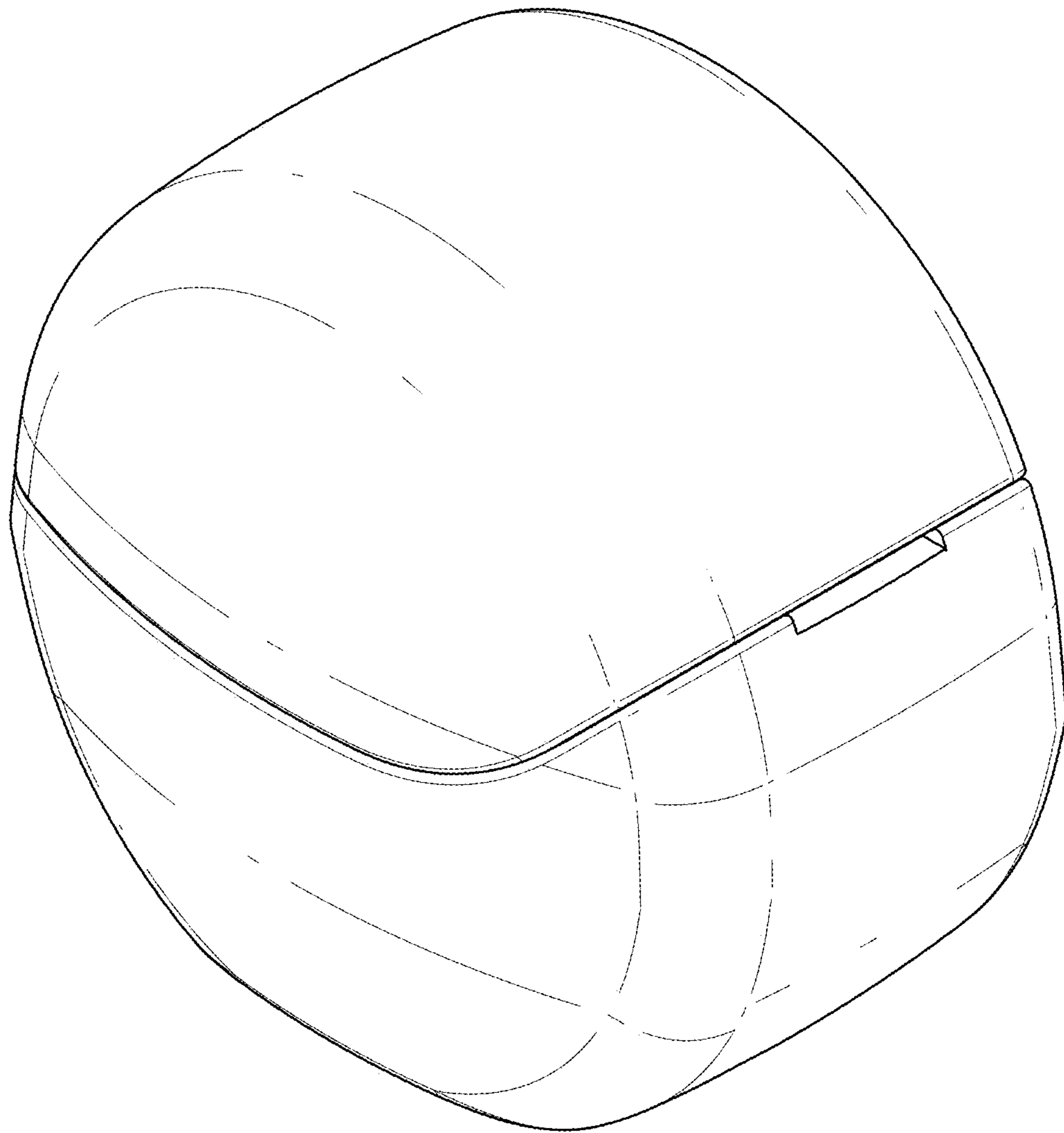


FIG. 1

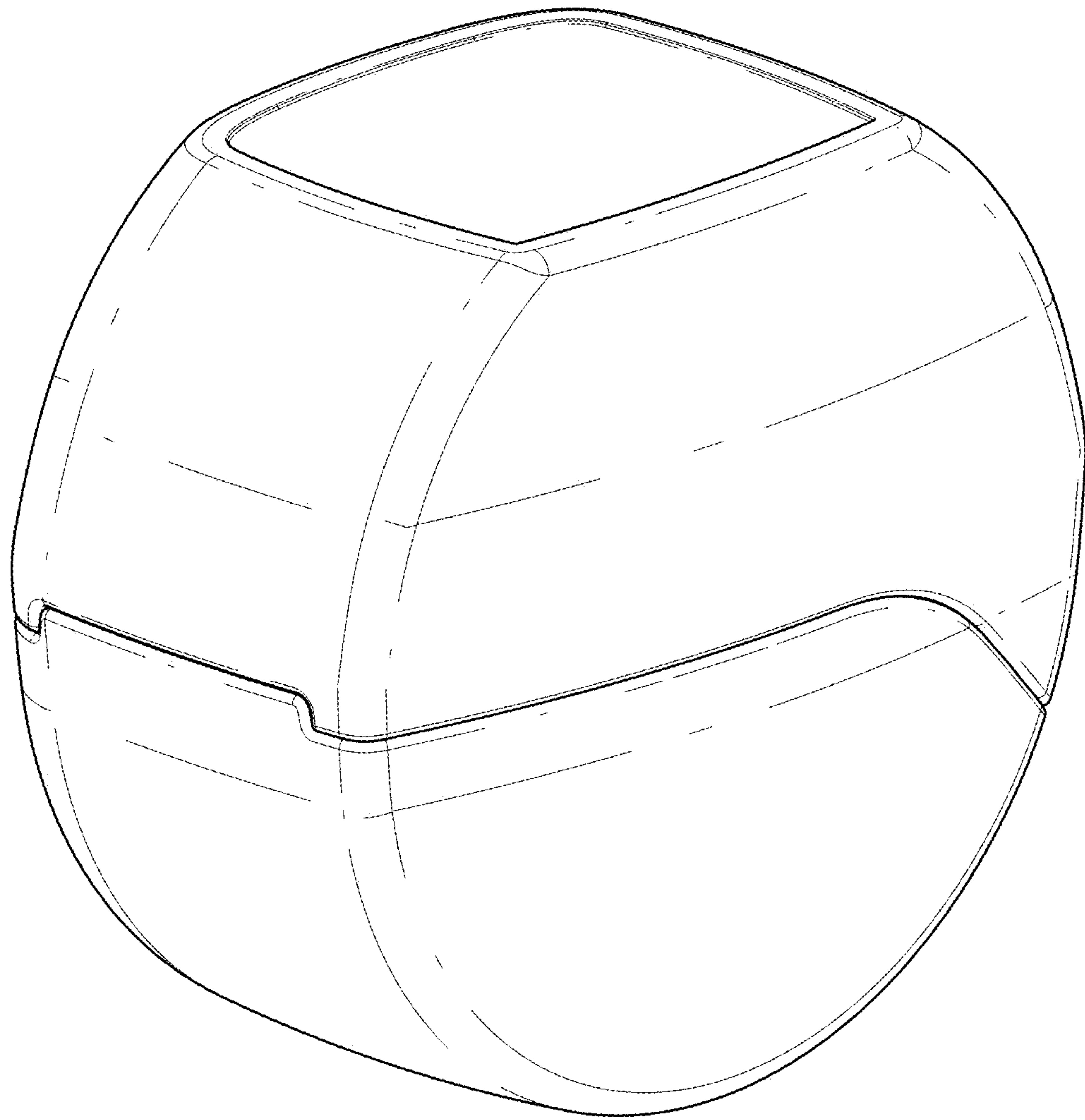


FIG. 2

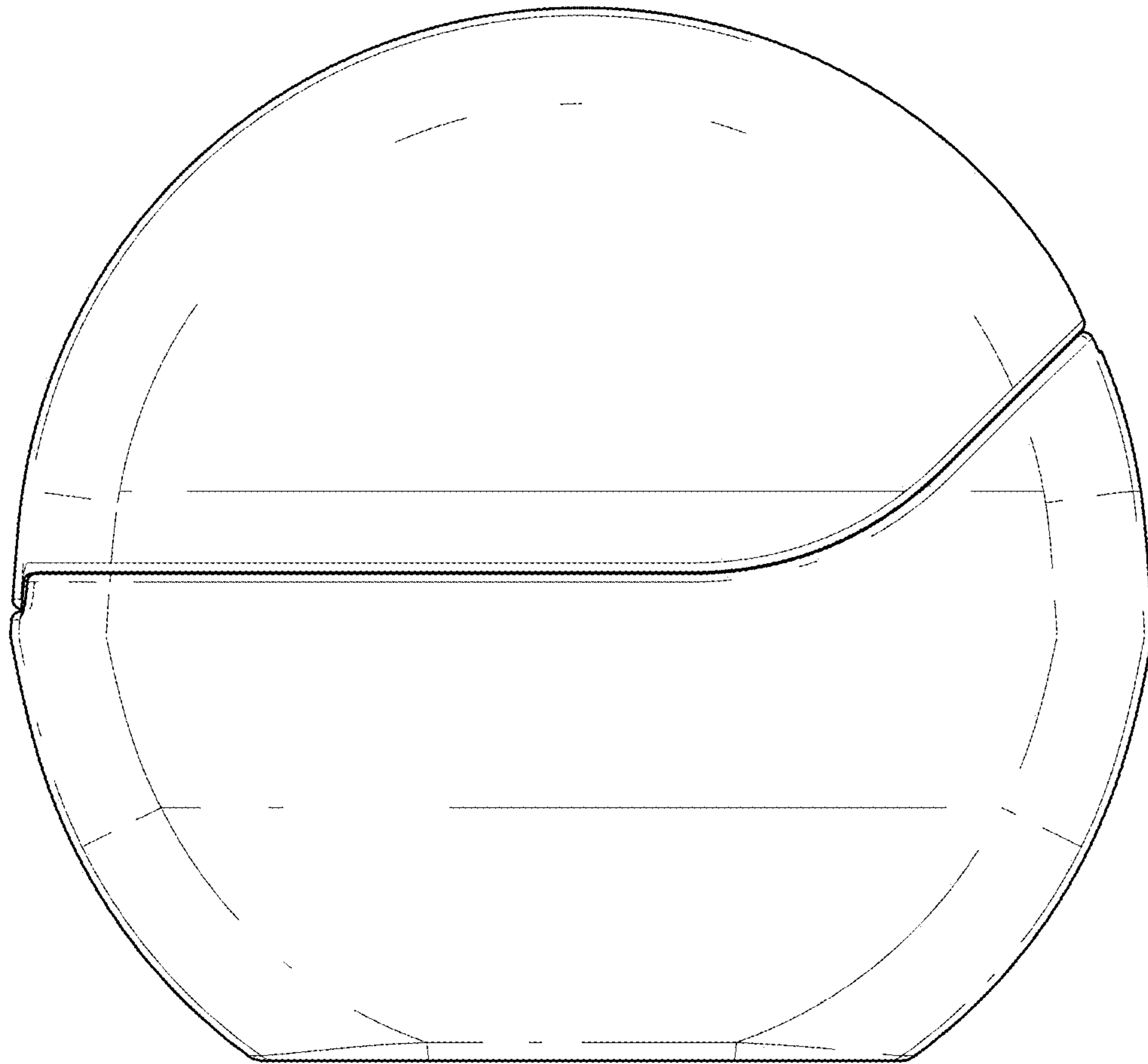


FIG. 3

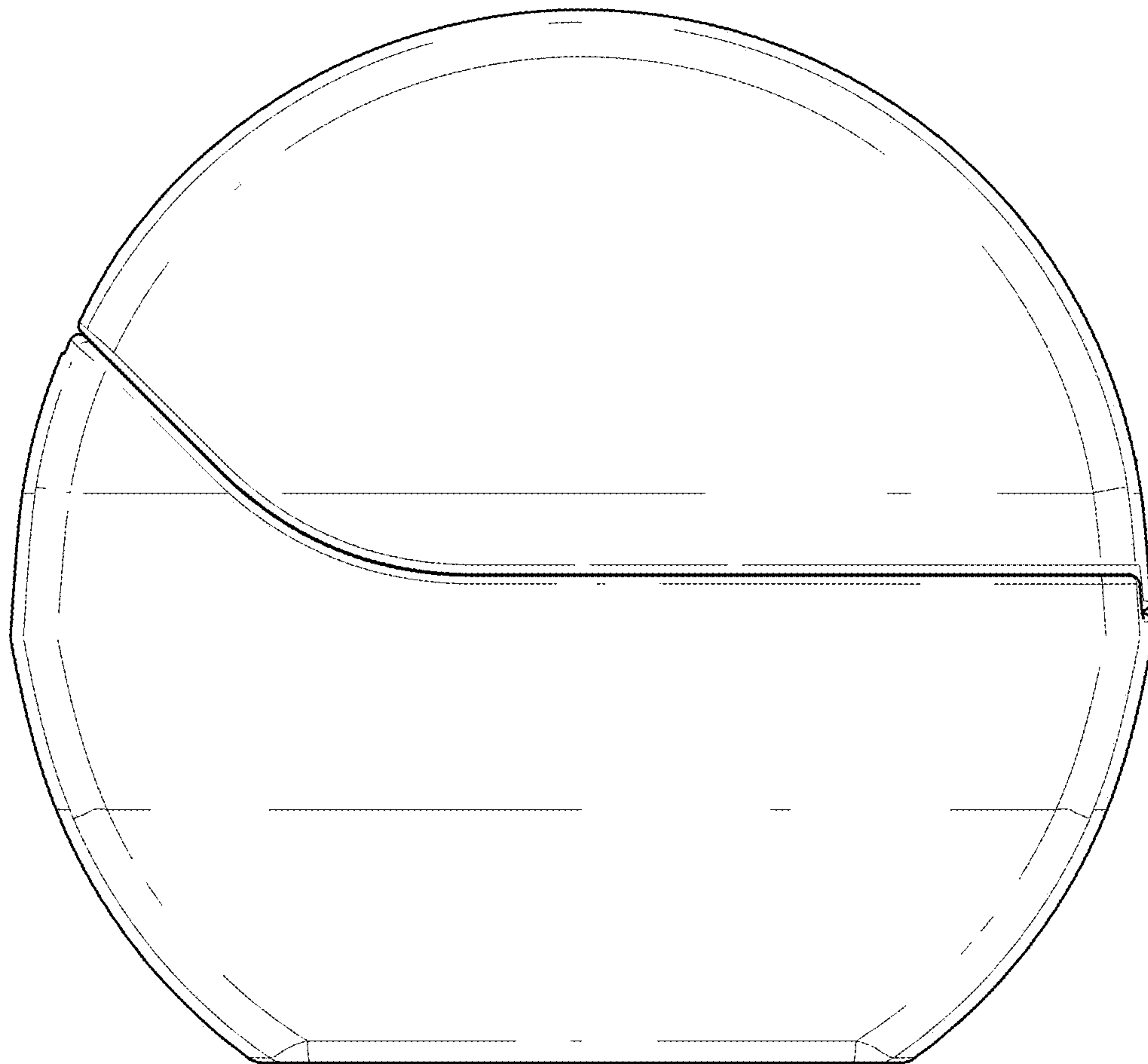


FIG. 4

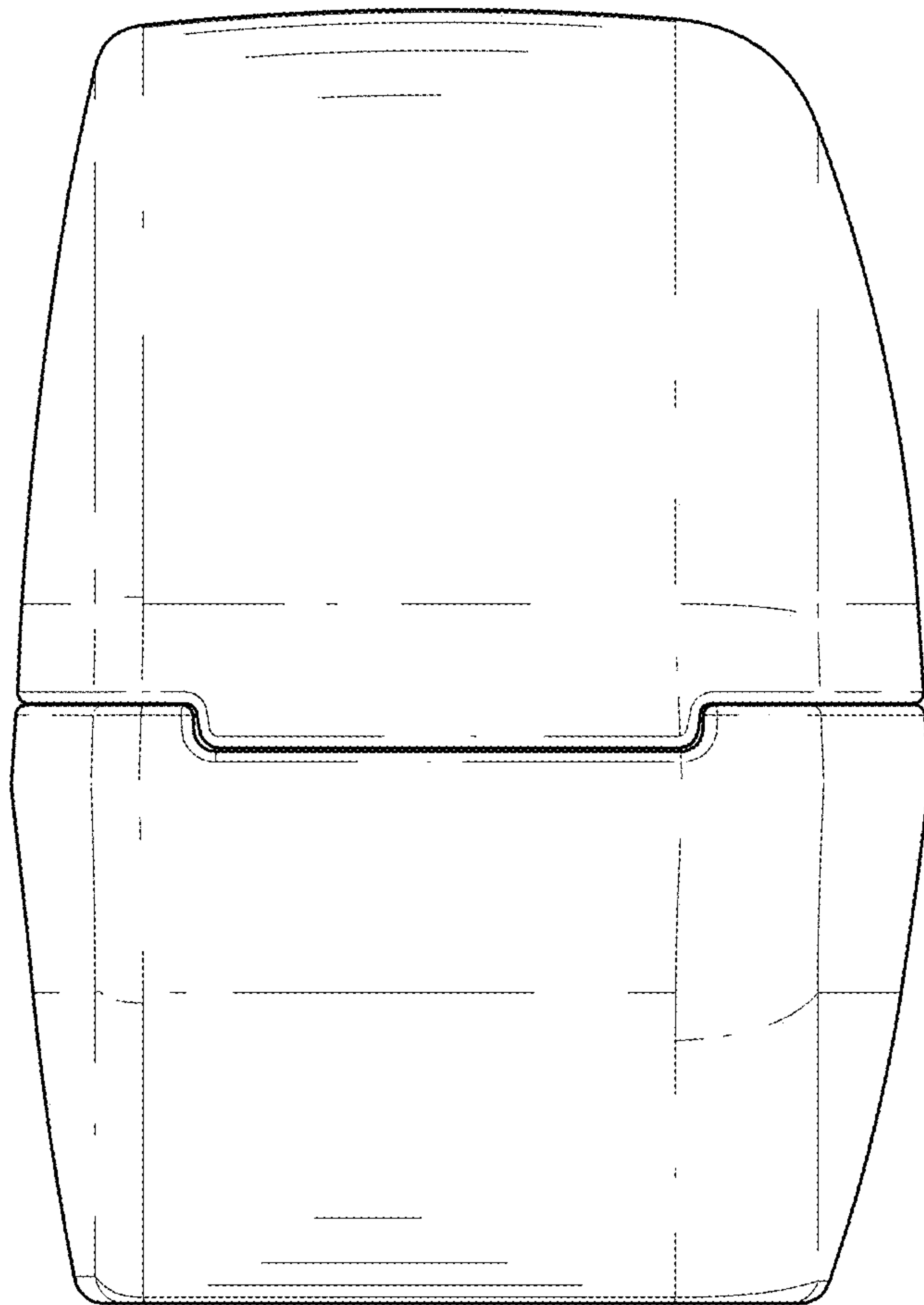


FIG. 5

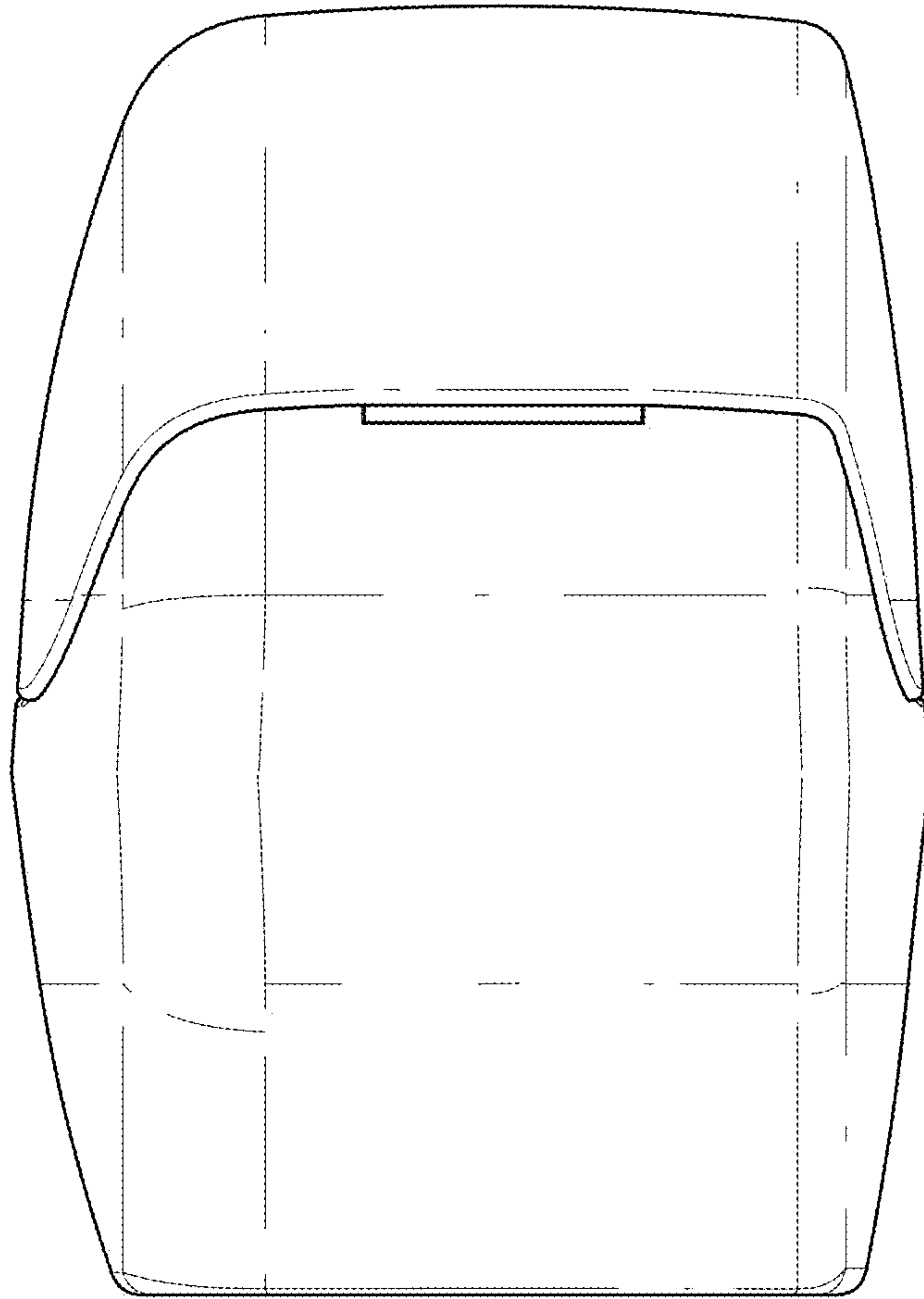


FIG. 6

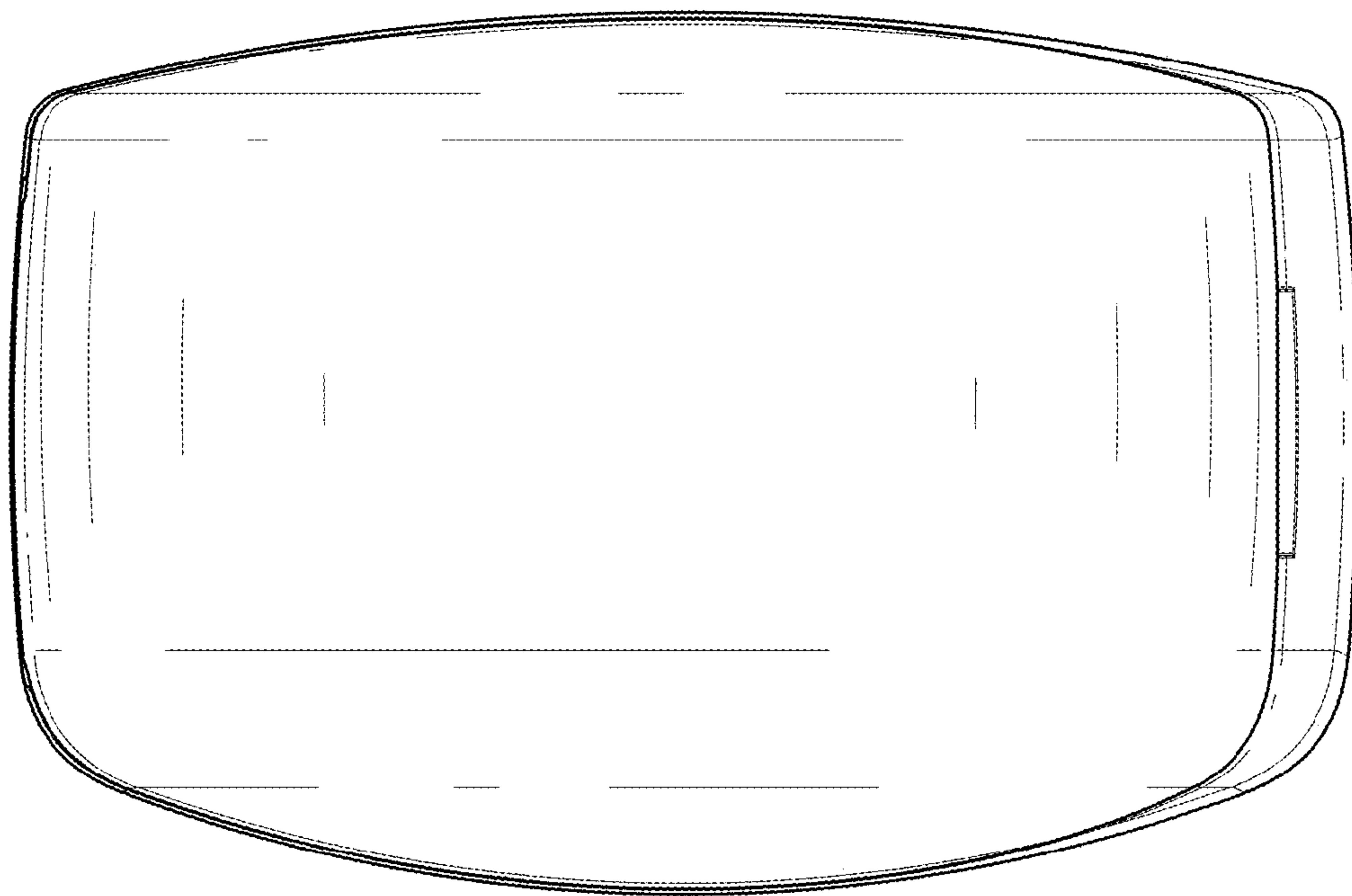


FIG. 7

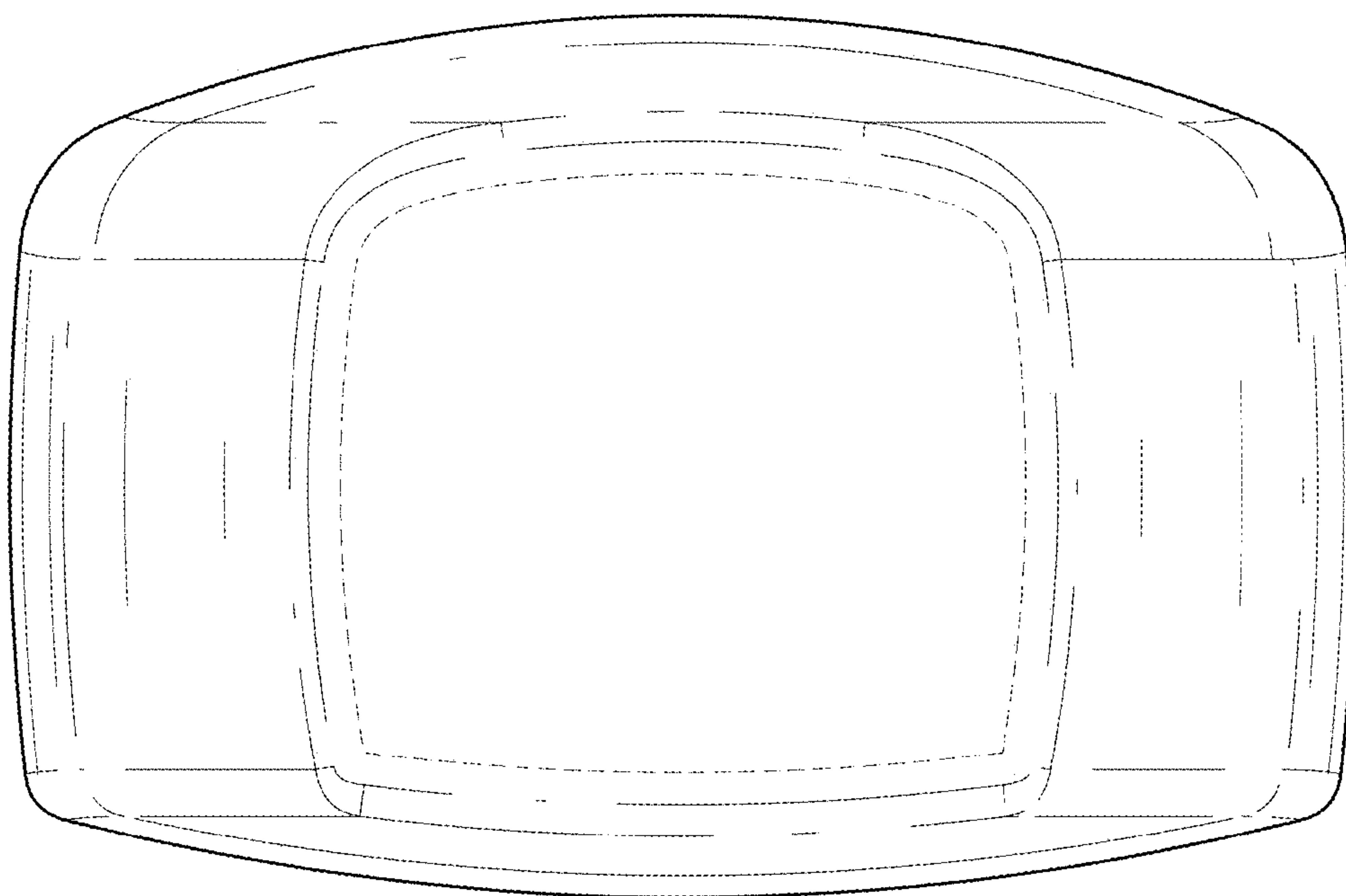


FIG. 8

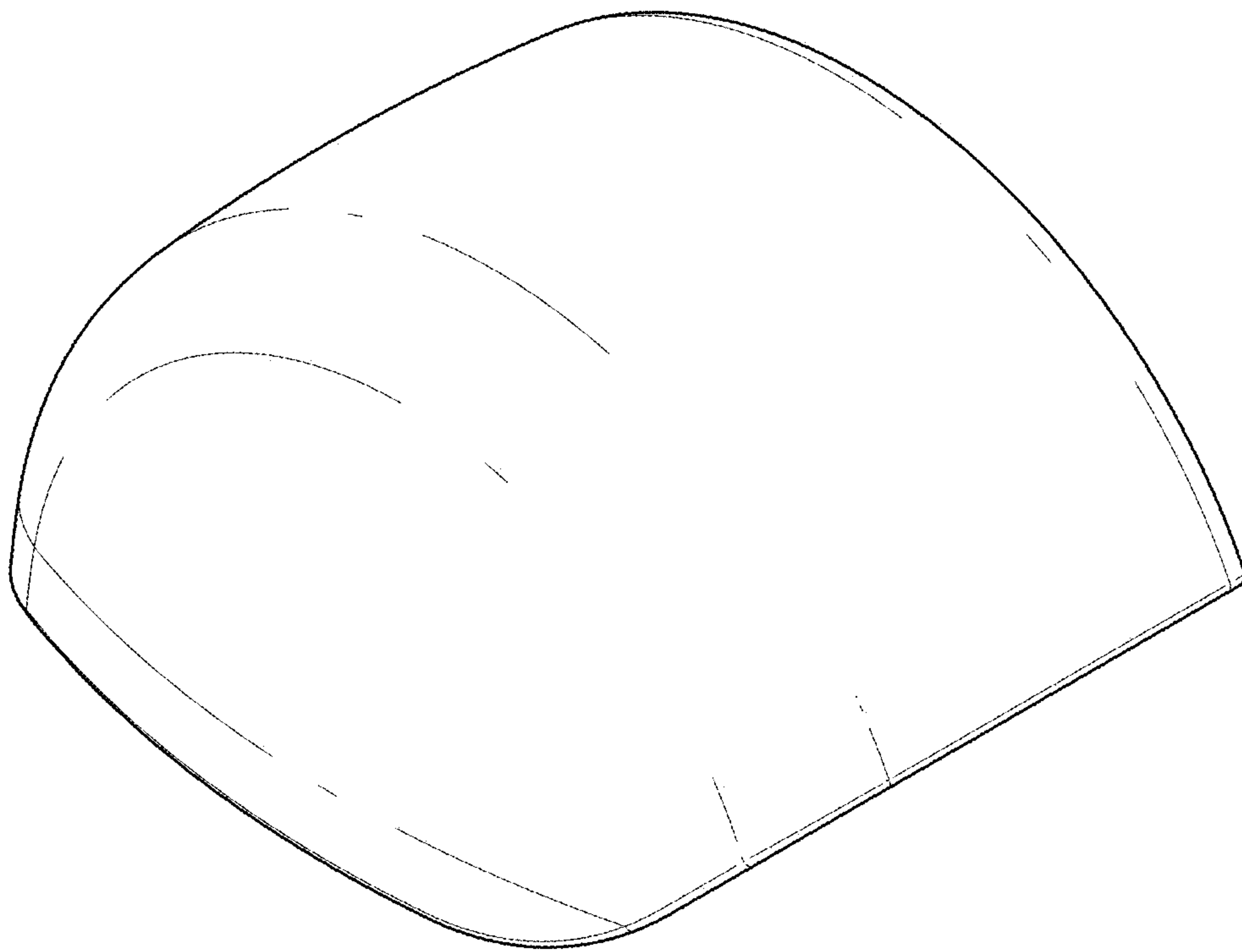


FIG. 9

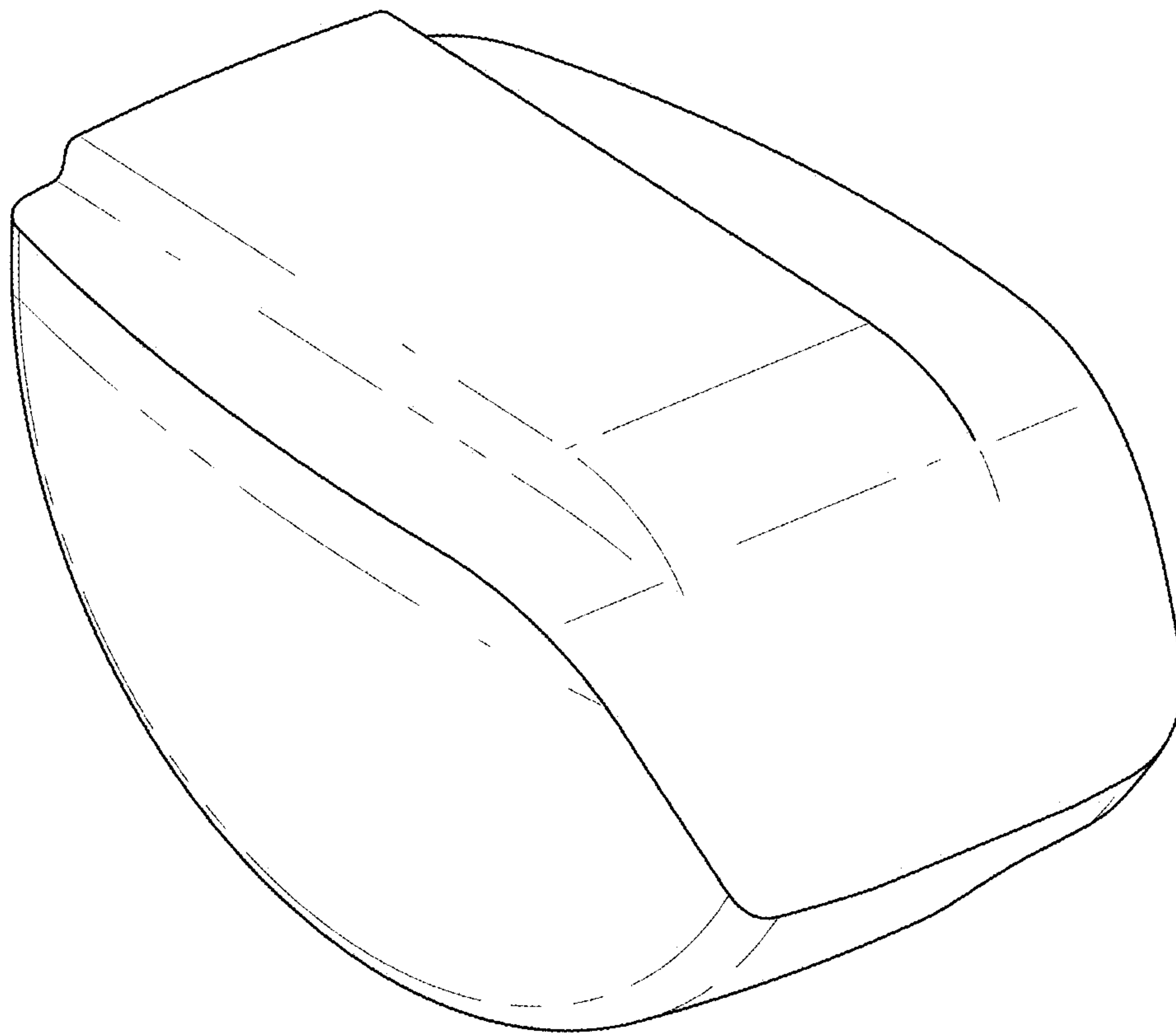


FIG. 10

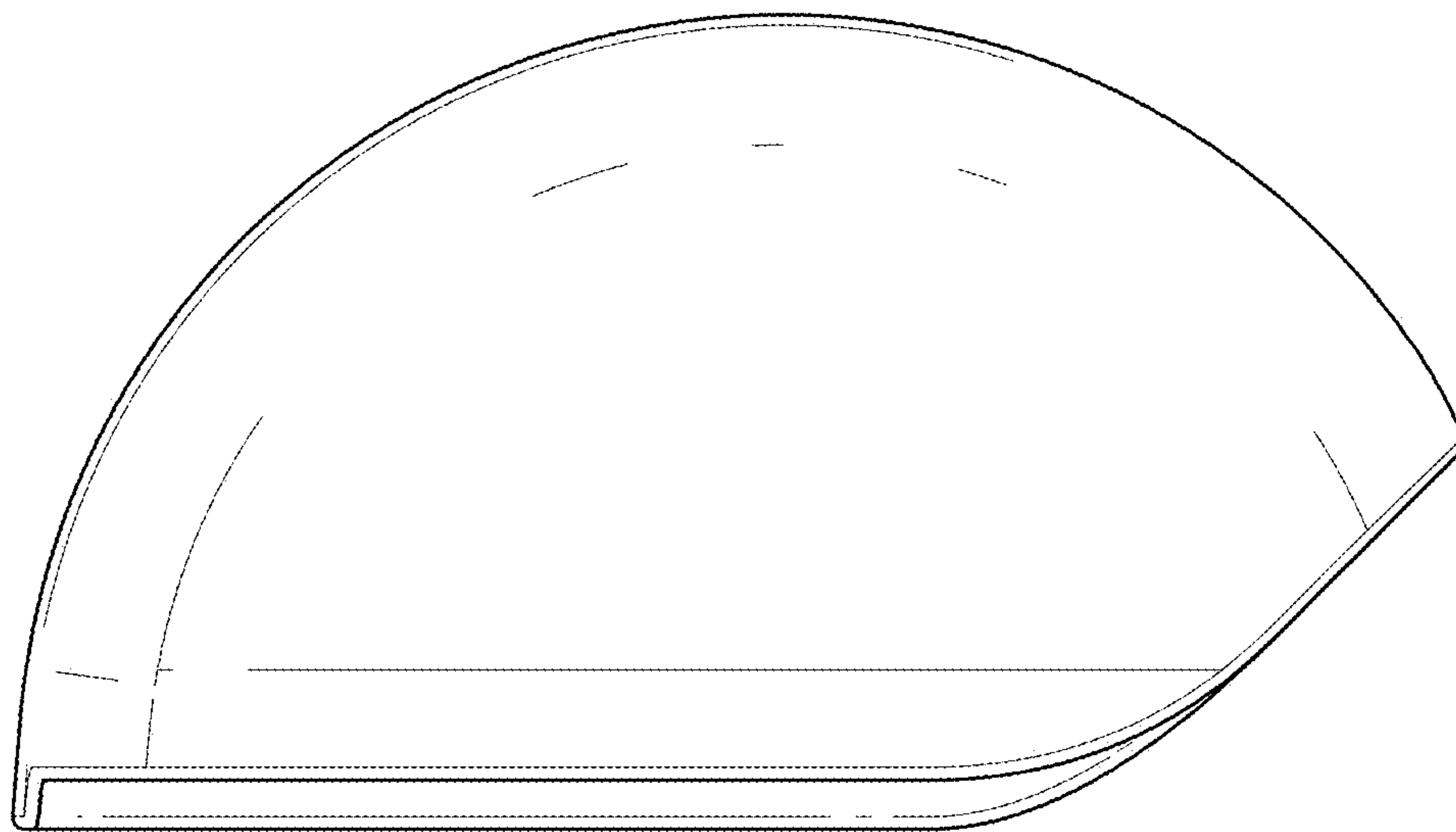


FIG. 11

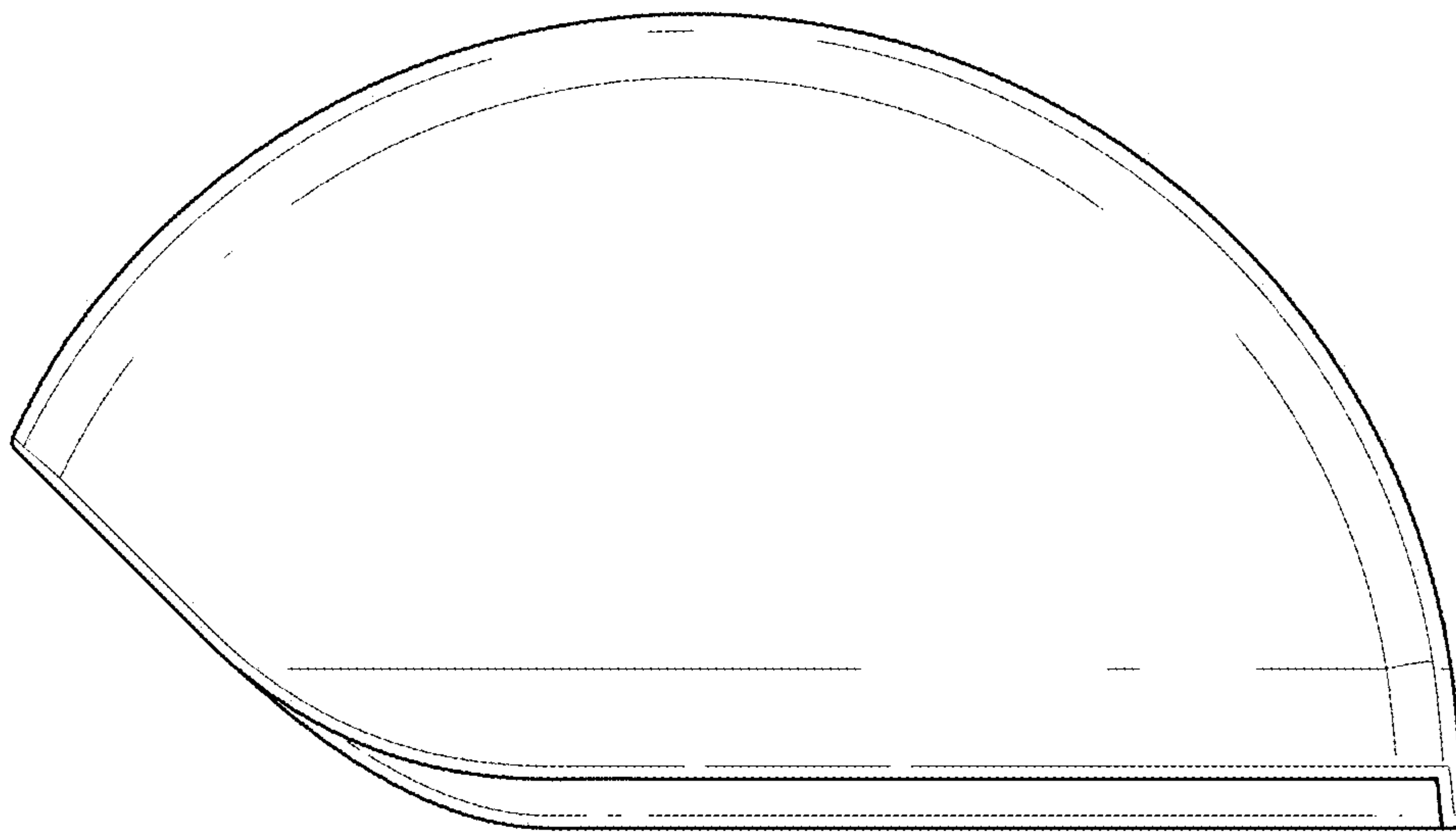


FIG. 12

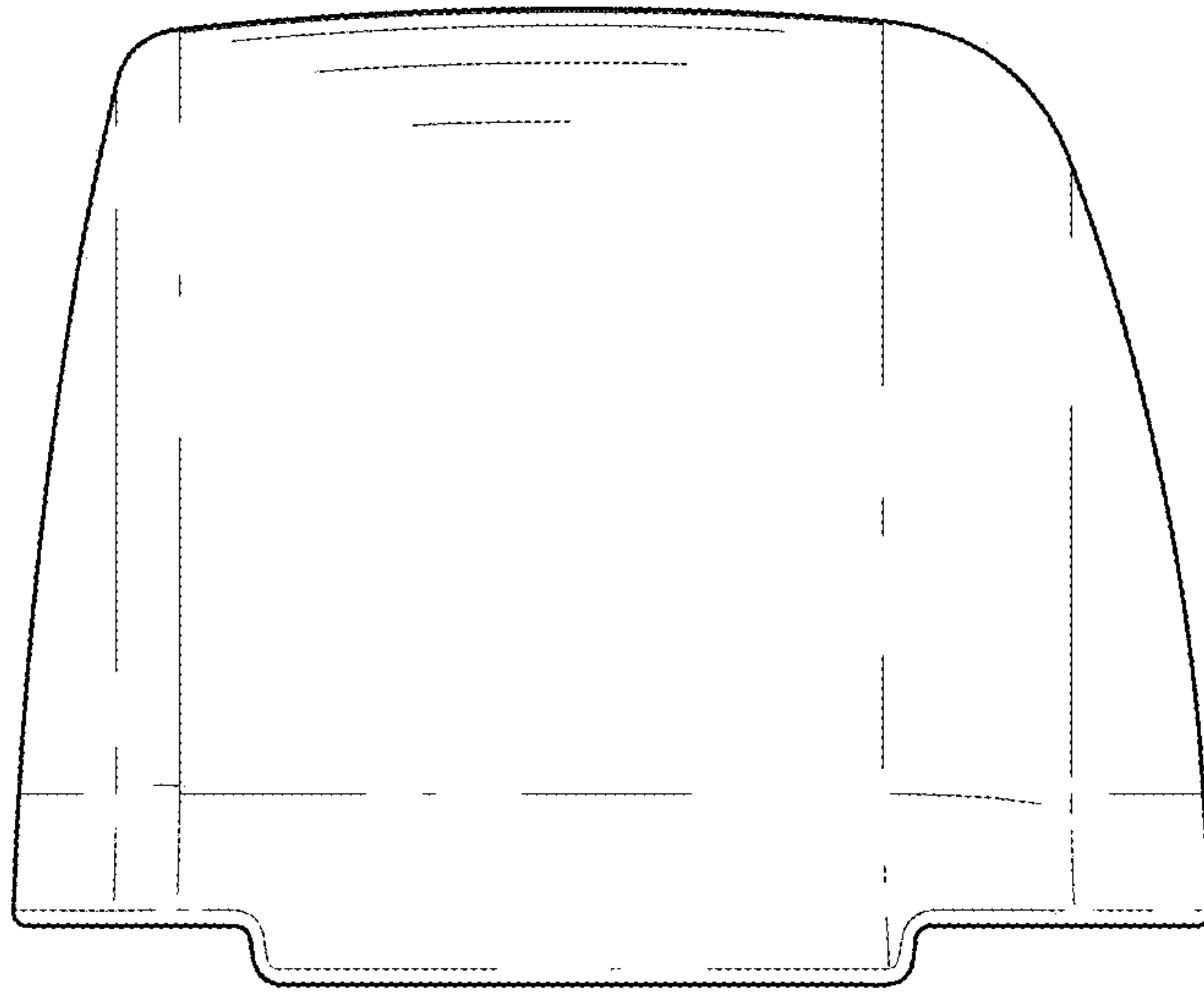


FIG. 13

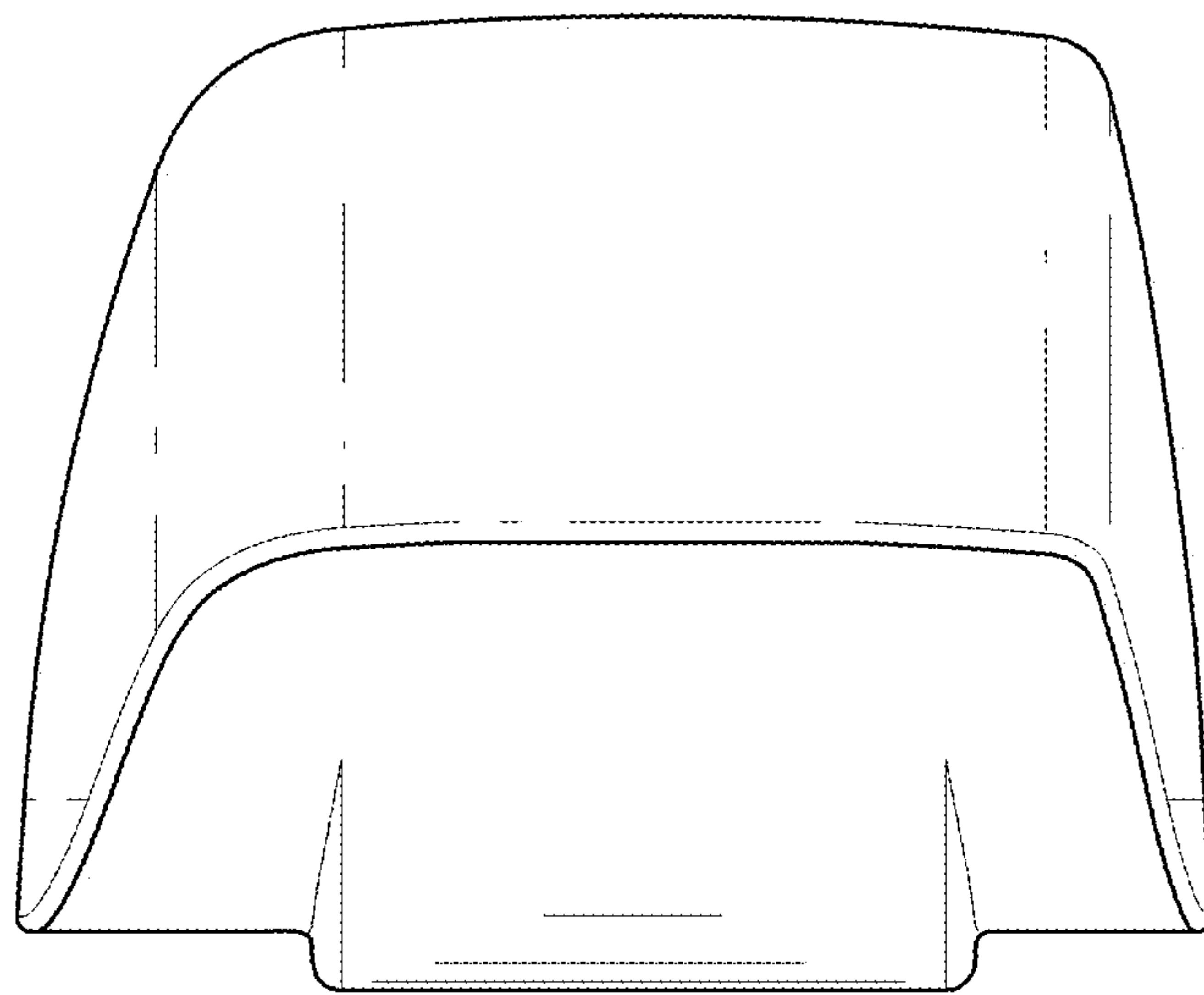


FIG. 14

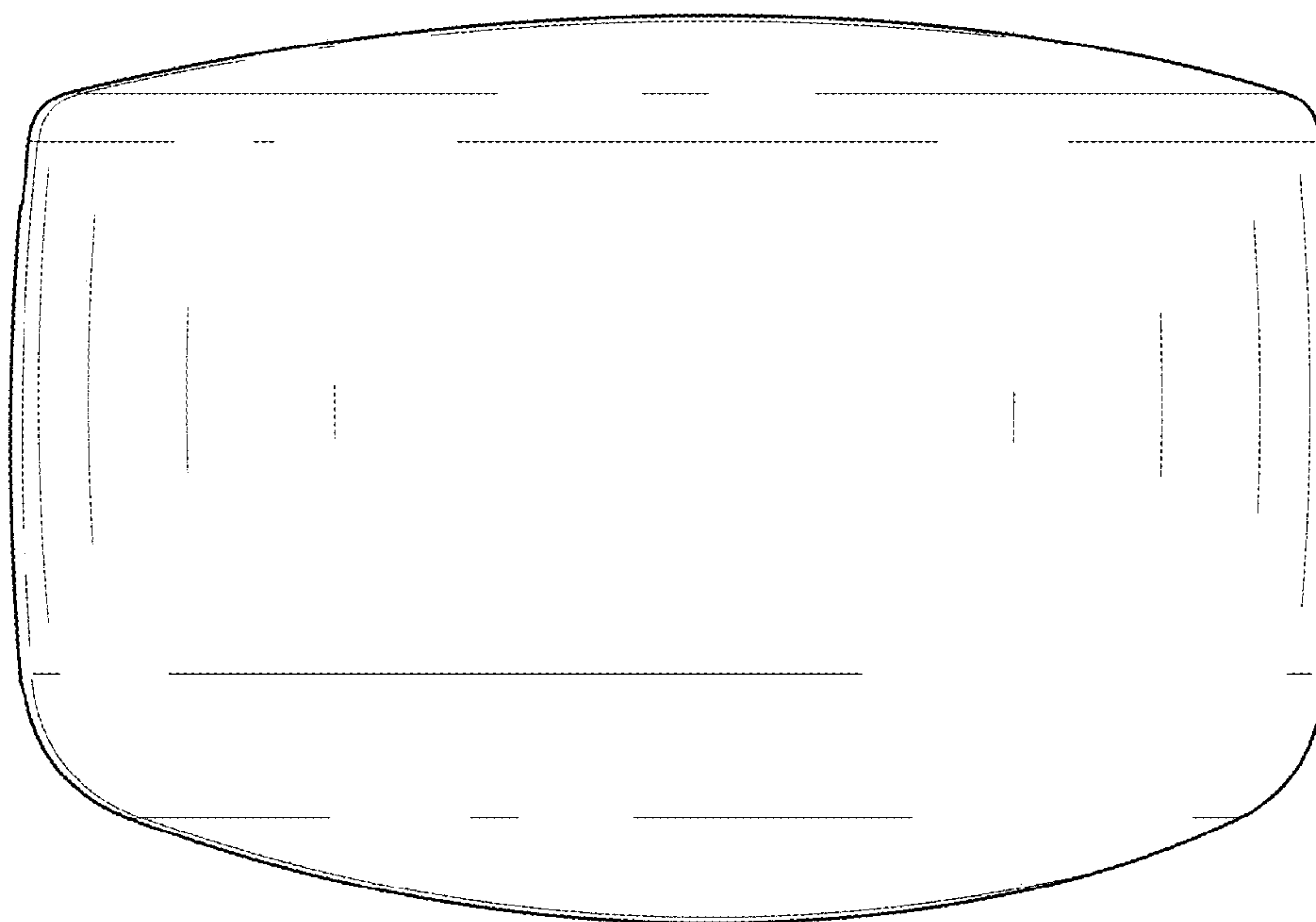


FIG. 15

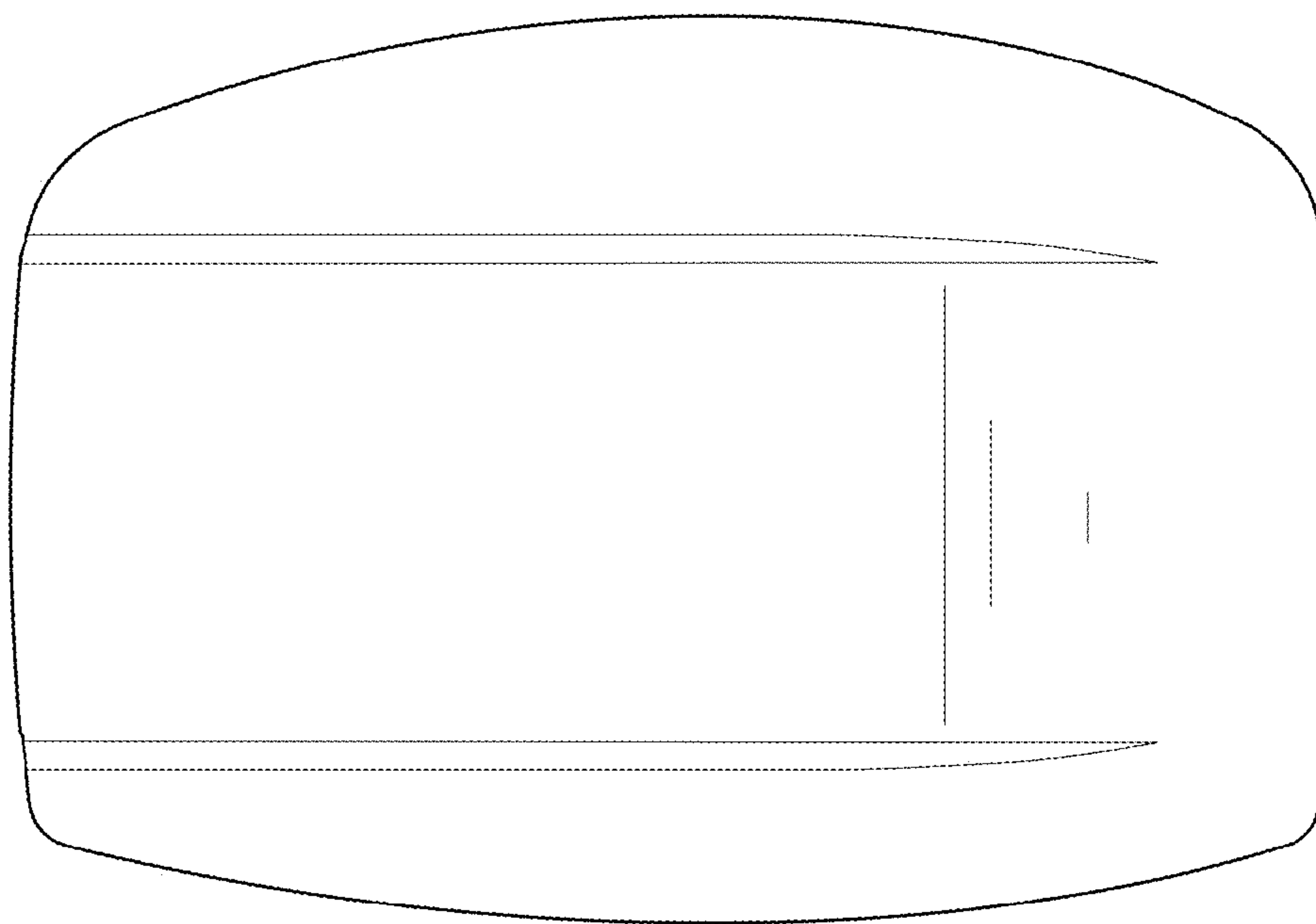


FIG. 16

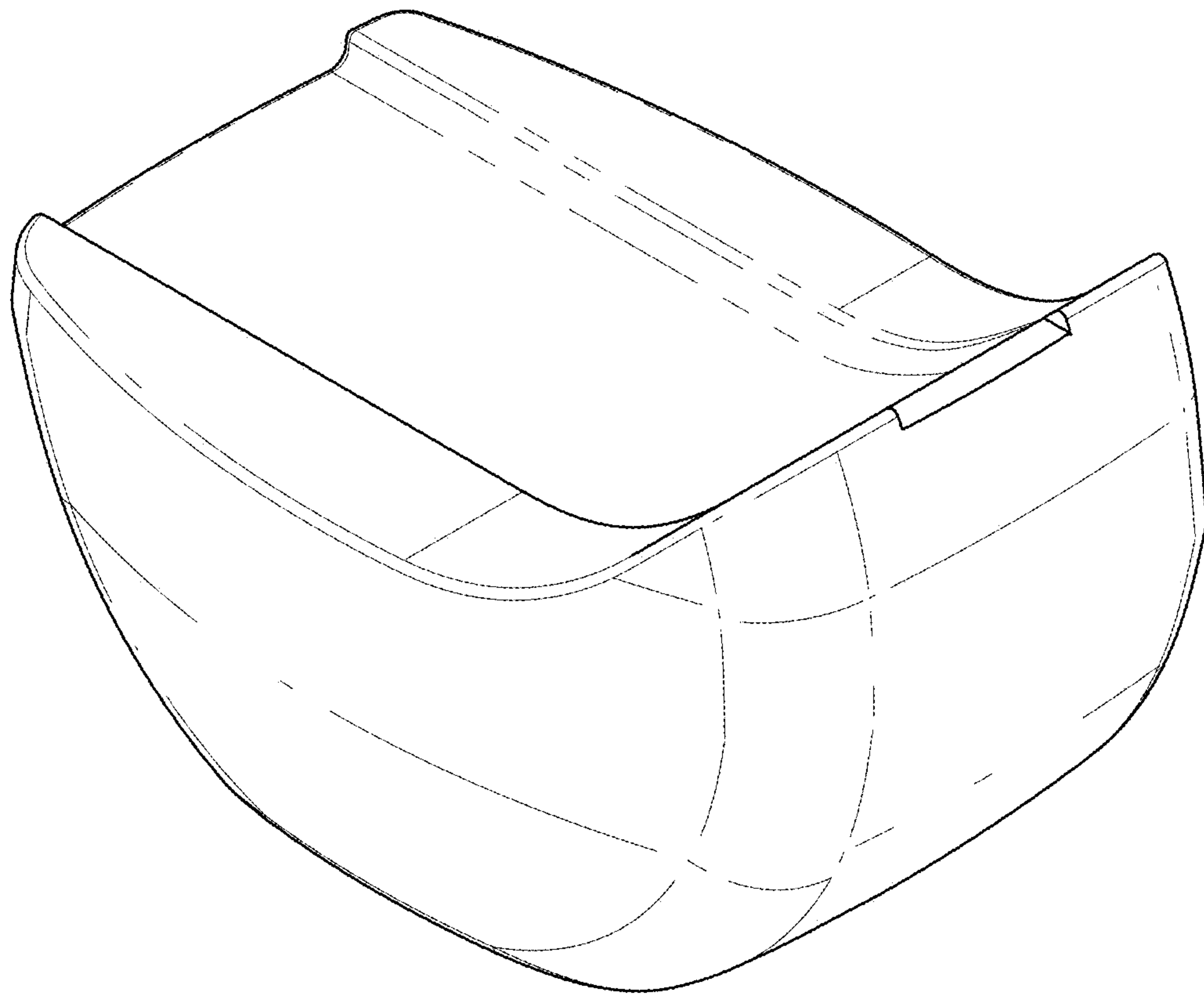


FIG. 17

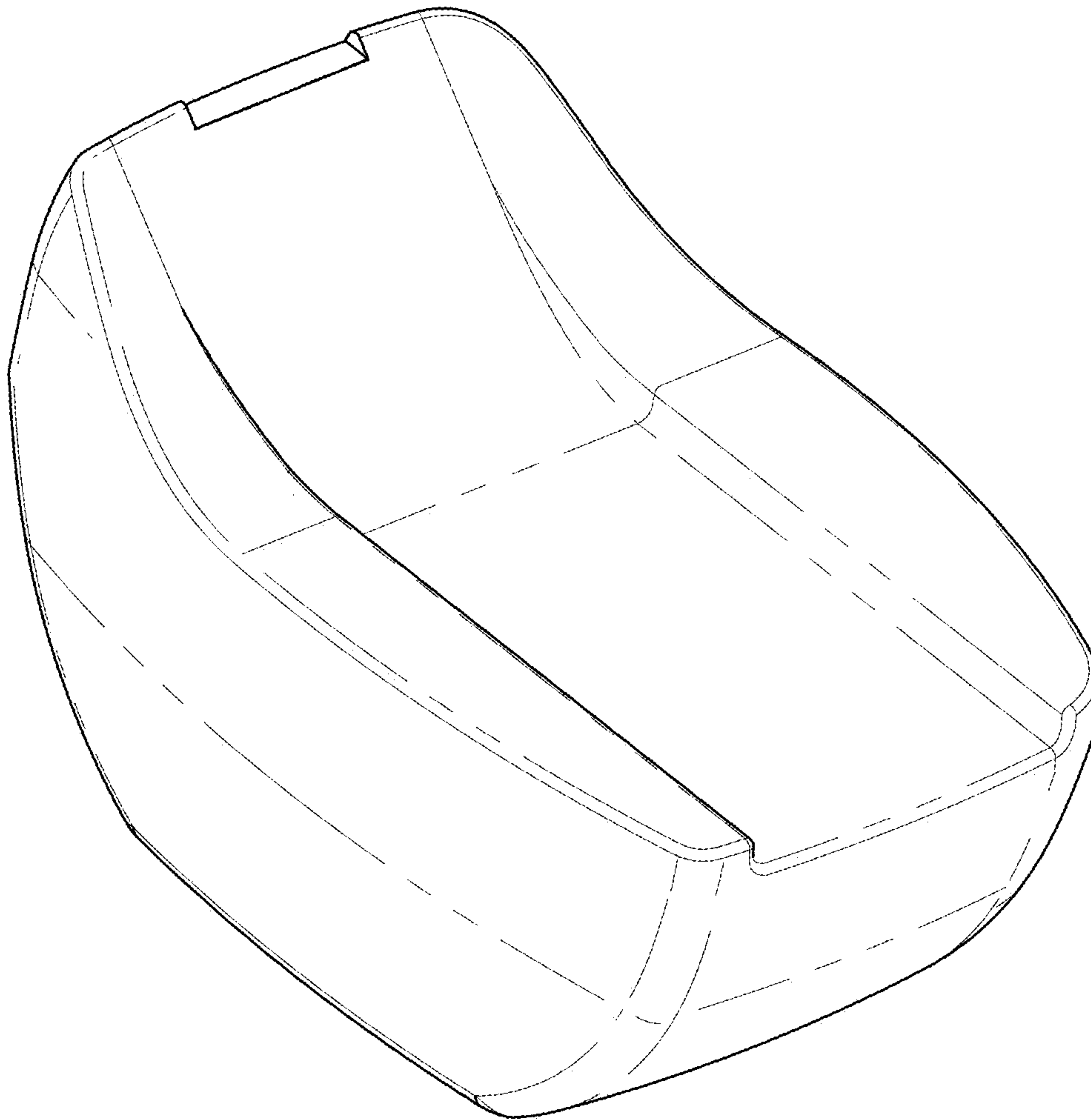


FIG. 18

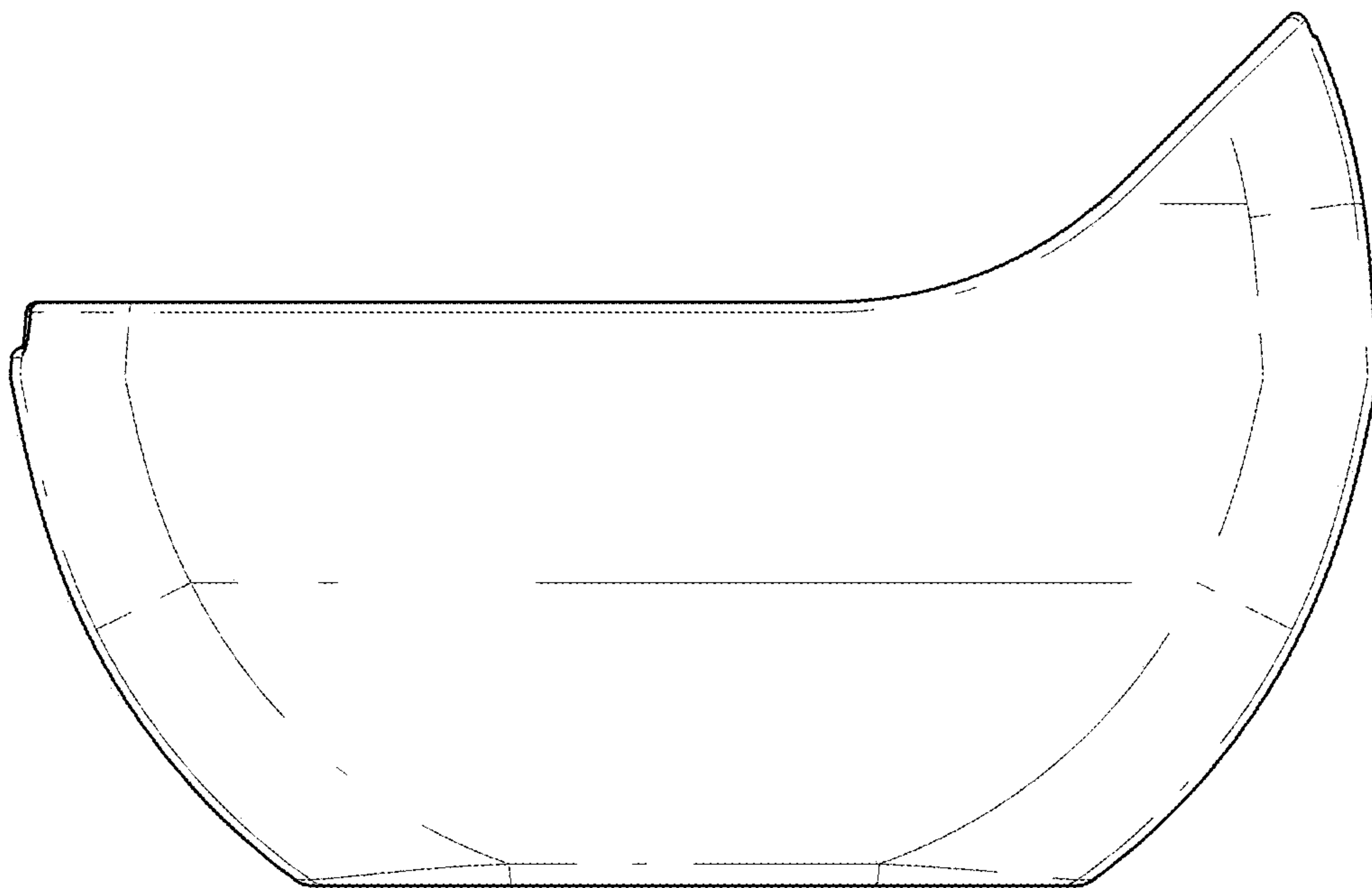


FIG. 19

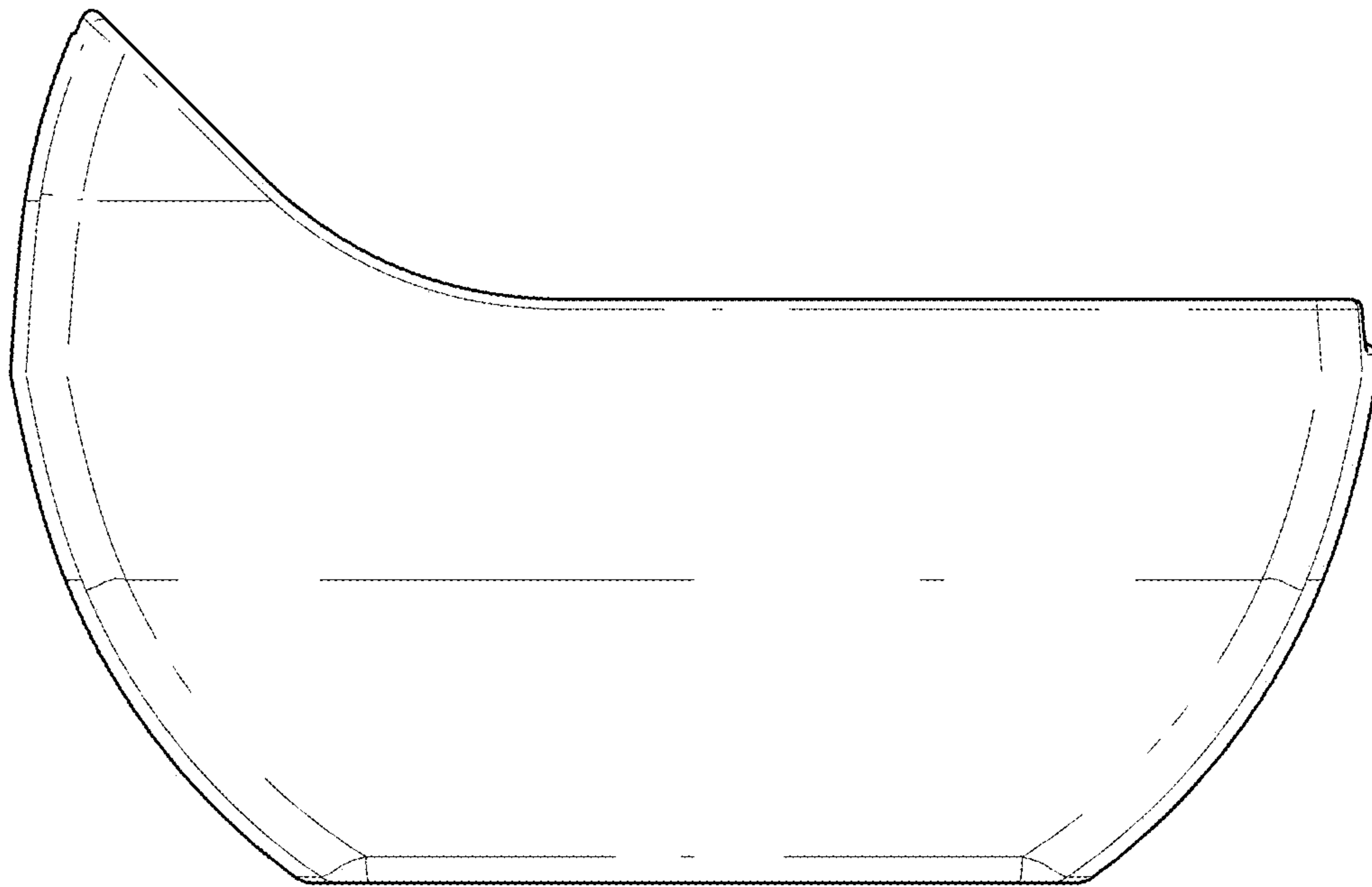


FIG. 20

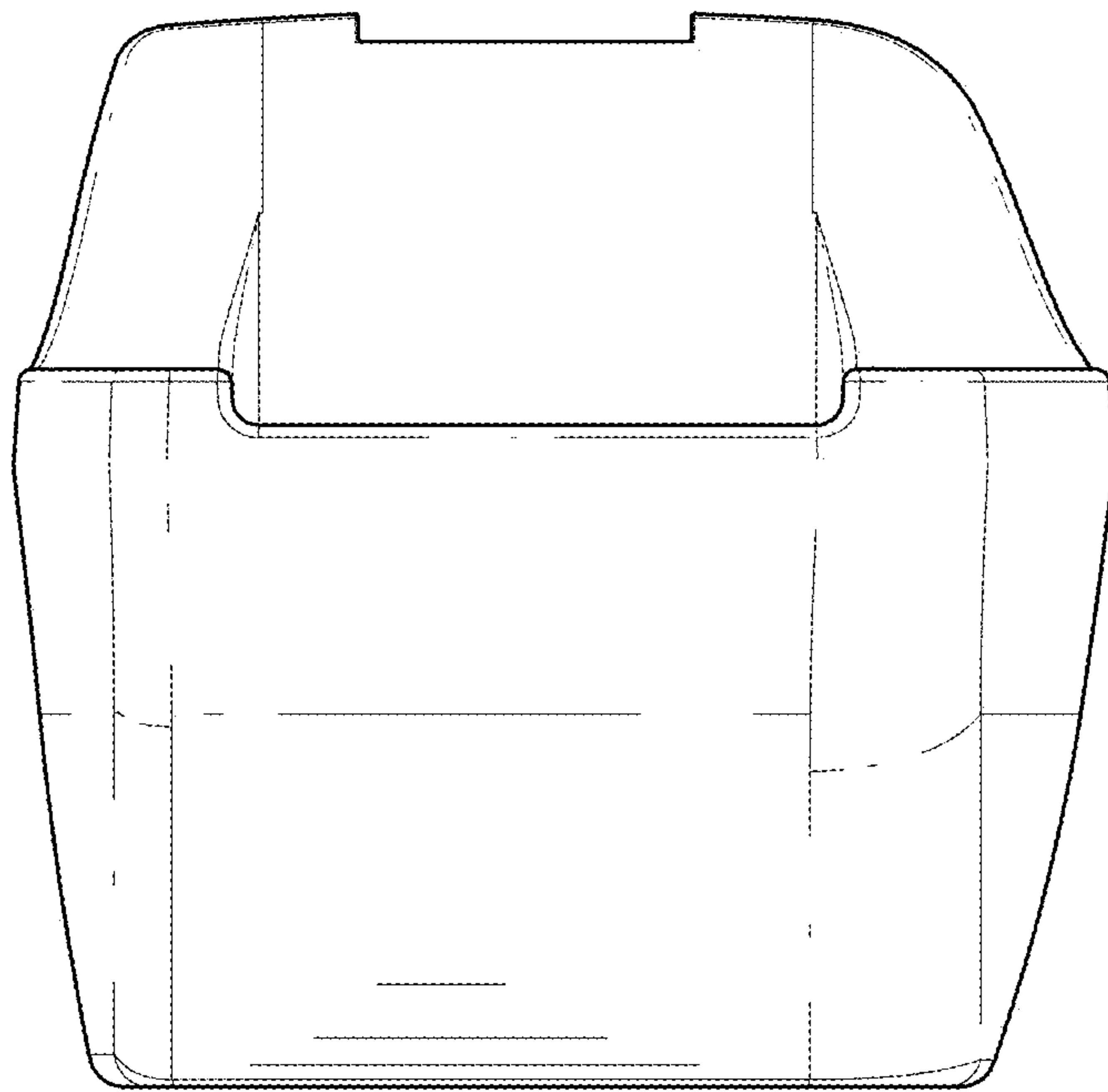


FIG. 21

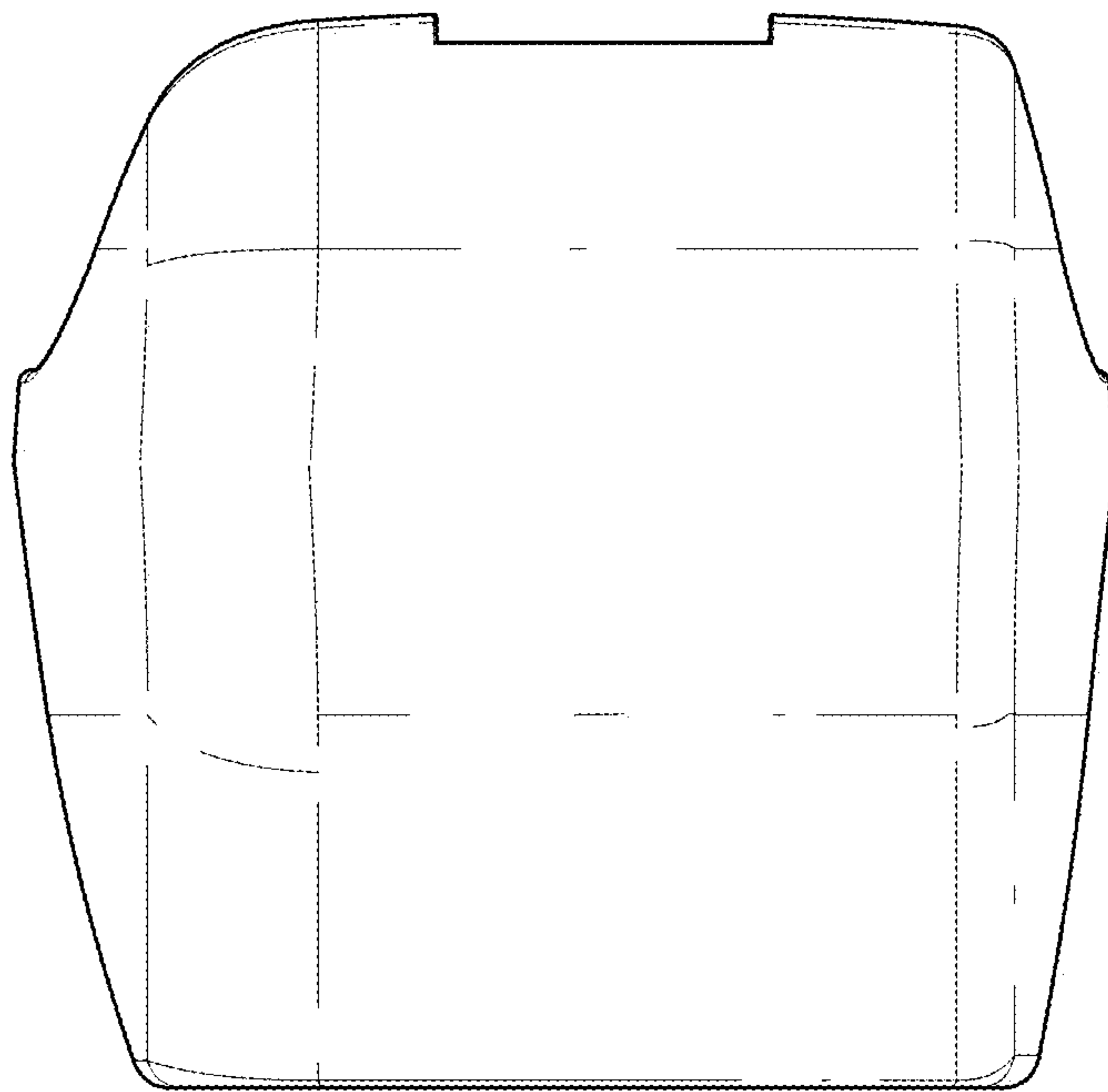


FIG. 22

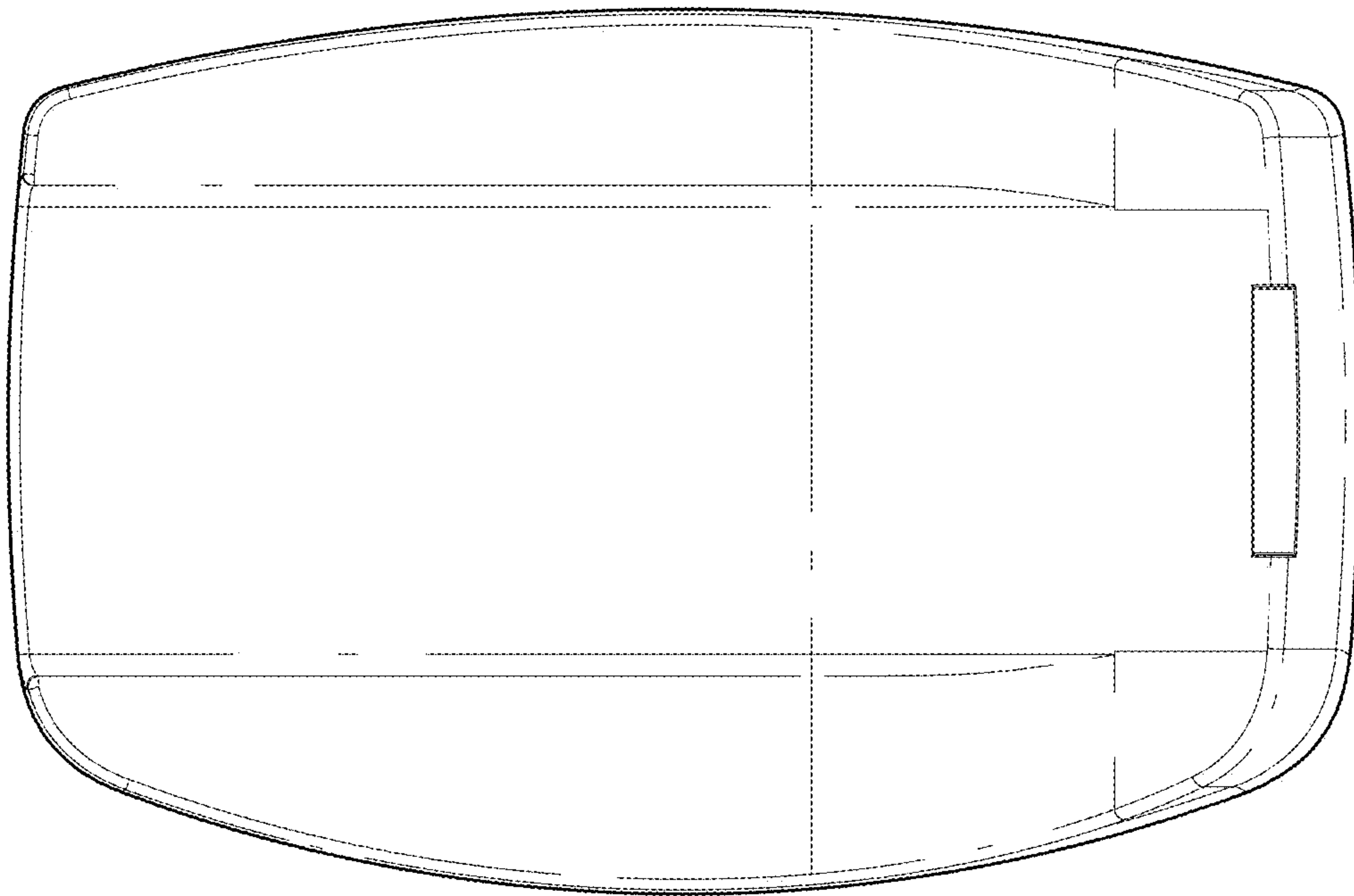


FIG. 23

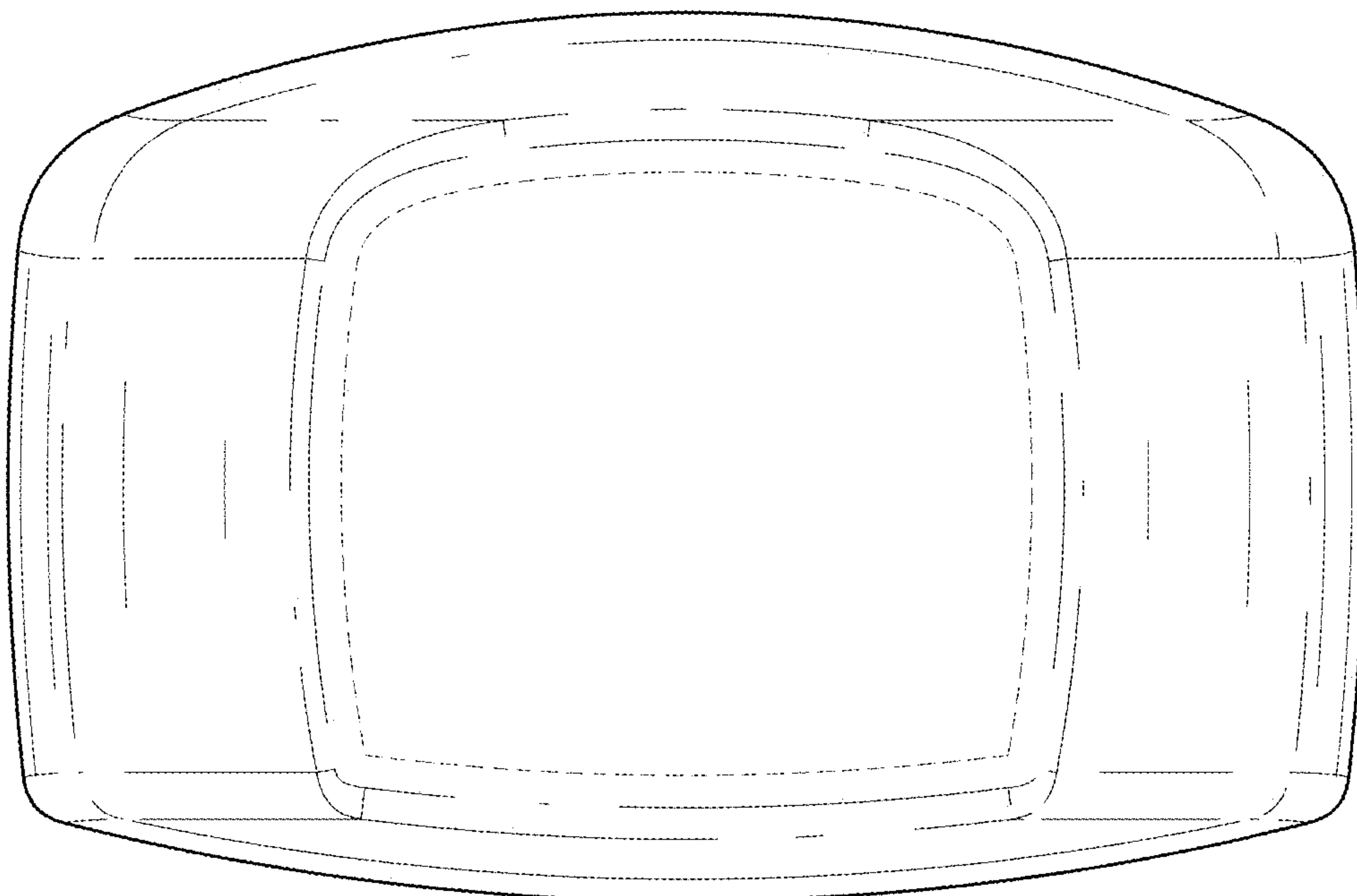


FIG. 24