



US00D888224S

(12) **United States Design Patent**
Guthrie

(10) **Patent No.:** **US D888,224 S**

(45) **Date of Patent:** **** Jun. 23, 2020**

(54) **CEILING FAN MOTOR HOUSING**

(71) Applicant: **HUNTER FAN COMPANY,**
Memphis, TN (US)

(72) Inventor: **Benjamin Scotti Guthrie,**
Germantown, TN (US)

(73) Assignee: **Hunter Fan Company,** Memphis, TN
(US)

(**) Term: **15 Years**

(21) Appl. No.: **29/656,961**

(22) Filed: **Jul. 18, 2018**

Related U.S. Application Data

(60) Continuation of application No. 29/612,264, filed on Jul. 31, 2017, now Pat. No. Des. 827,123, which is a division of application No. 29/556,797, filed on Mar. 3, 2016, now Pat. No. Des. 800,289.

(51) **LOC (12) Cl.** **23-03**

(52) **U.S. Cl.**
USPC **D23/411**

(58) **Field of Classification Search**
USPC D23/335-337, 355, 370-385, 411-414;
D26/59, 67, 72, 80-89, 92, 104-105, 110,
D26/113, 118-119, 128-137;
D9/500-505

CPC F04D 25/088; F21V 33/0096
See application file for complete search history.

(56) **References Cited**

U.S. PATENT DOCUMENTS

D49,476 S 8/1916 Lucas
D51,865 S * 3/1918 McKinnie D26/88
D51,971 S * 4/1918 Murphy D26/88
D75,139 S * 5/1928 Von Alt D26/88
D84,930 S 8/1931 Glatthar
D105,173 S 6/1937 Hildebrand

2,753,446 A 7/1956 Lester
4,073,598 A 2/1978 Mizutani et al.
4,592,702 A 6/1986 Bogage
5,151,011 A 9/1992 Rezek
D331,101 S 11/1992 Rezek
D333,529 S * 2/1993 Denison D26/63
5,572,819 A 11/1996 Topinka et al.
D389,949 S 1/1998 Walker
D420,120 S 2/2000 Evans
D427,353 S 6/2000 Ewing et al.
D441,486 S 5/2001 Hsing

(Continued)

OTHER PUBLICATIONS

<http://www.menards.com/main/p-1444438448164-c-7488.htm?tid=-5244648551955826367>, Item Specification for The Turn of the Century Lafitte 52 in. Gold Stone Ceiling Fan Model No. fn1305gs Menards® SKU: 3551305 Variation: Gold Stone, accessed Mar. 3, 2016.

(Continued)

Primary Examiner — Cathron C Brooks

Assistant Examiner — Sharon S Oum

(74) *Attorney, Agent, or Firm* — McGarry Bair PC

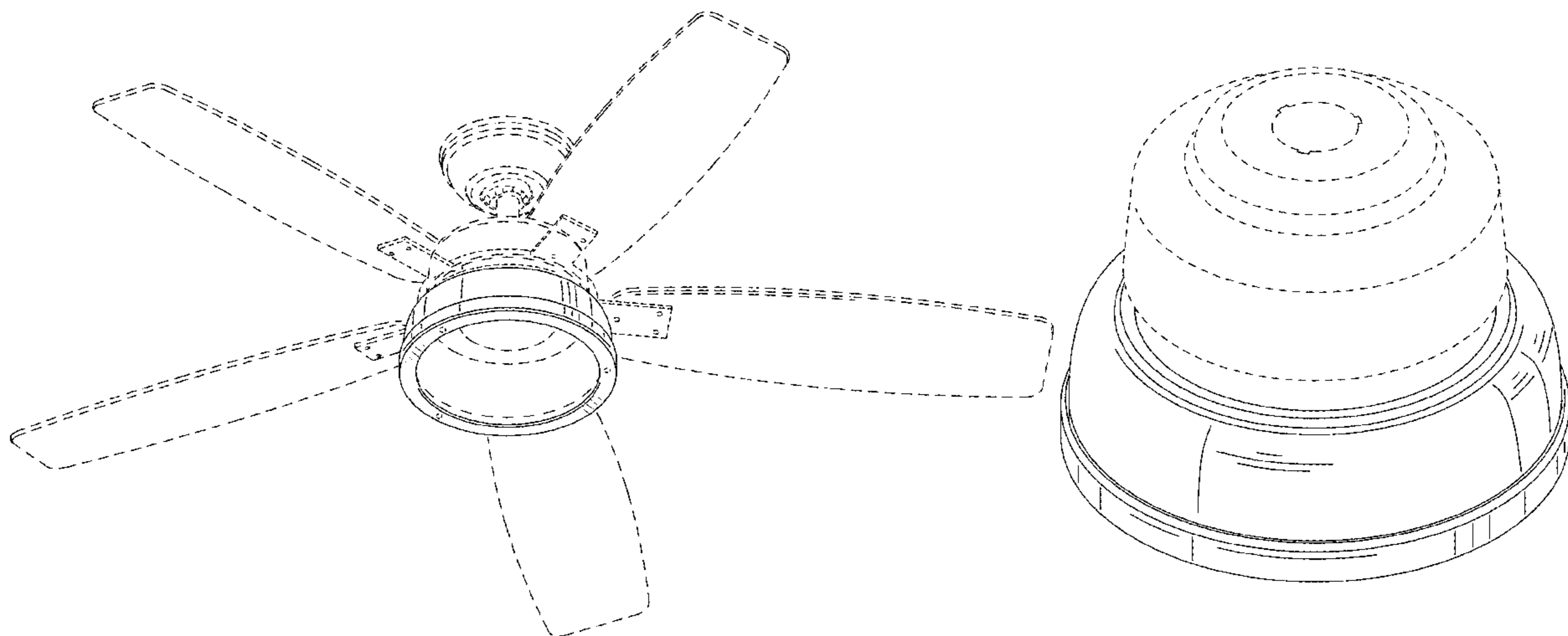
(57) **CLAIM**

The ornamental design for a ceiling fan motor housing, as shown and described.

DESCRIPTION

FIG. 1 is a bottom perspective view of a ceiling fan motor housing shown in the environment of a ceiling fan; FIG. 2 is a top perspective view of the ceiling fan motor housing without the ceiling fan environment; FIG. 3 is a top view thereof; FIG. 4 is a bottom view thereof; and, FIG. 5 is a rear side view thereof. Portions of the ceiling fan motor housing and ceiling fan environment shown in broken lines form no part of the claimed design.

1 Claim, 5 Drawing Sheets



(56)

References Cited

U.S. PATENT DOCUMENTS

D483,847 S	12/2003	Tai	
D488,554 S	4/2004	Bacon et al.	
D530,004 S	10/2006	Curtin	
D551,796 S *	9/2007	Acedo	D26/88
D553,787 S	10/2007	Hammond	
D609,325 S	2/2010	Chen	
D632,381 S	2/2011	Davenport et al.	
D663,455 S	7/2012	Glasbrenner	
D671,635 S	11/2012	Pan	
D704,821 S	5/2014	Wang	
D707,336 S	6/2014	Pan	
D751,187 S	3/2016	Dolan	
D758,230 S	6/2016	Hojmose	
D760,368 S	6/2016	Chen	
D796,024 S	8/2017	Holmes	
D799,661 S *	10/2017	Holmes	D23/377
D800,289 S	10/2017	Guthrie	
D810,915 S *	2/2018	Guthrie	D23/377
D827,123 S *	8/2018	Guthrie	D23/411
2015/0078906 A1	3/2015	Wang	

OTHER PUBLICATIONS

<http://www.homedepot.com/p/Hampton-Bay-Mariton-52-in-Oil-Rubbed-Bronze-Ceiling-Fan-YG305-ORB/202549795>, Item Specification for The Hampton Bay Model # YG305-ORB Internet # 202549795 Store SKU # 122165 Marlton 52 in. Oil-Rubbed Bronze Ceiling Fan, accessed Mar. 3, 2016.

<http://www.menards.com/main/p-1444424537879-c-7487.htm?tid=3675202324194494198>, Item Specification for The Turn of the Century Montego Bay 52" Weathered Copper Wet Rated Ceiling Fan, Model # CP152115, accessed Mar. 3, 2016.

<http://www.kingoffans.com/#/products/ceilingFans>, Item Specification for the King of Fans Cabrerra, Model #61375, accessed Mar. 3, 2016.

<http://www.kingoffans.com/#/products/ceilingFans>, Item Specification for The King of Fans Sauterne, Model #46377, accessed Mar. 3, 2016.

<http://www.kichler.com/products/product/52-inch-harbour-walk-patio-fan-wcp-310102wcp.aspx>, Item Specification for The Kichler Harbour Walk Patio Collection 52 Inch Harbour Walk Patio Fan WCP 310102WCP (Weathered Copper Powder Coat), accessed Mar. 3, 2016.

<http://www.craftmade.com/Craftmade-Union-v16.htm>, Item Specification for The Craftmade Union Model # UN52OBG4, accessed Mar. 3, 2016.

<http://www.homedepot.com/p/Hampton-Bay-Trusseau-52-in-Brushed-Nickel-Ceiling-Fan-AL775-BN/203245489>, Item Specification for the Hampton Bay Trusseau Model # AL775-BN Internet # 203245489 52 in. Brushed Nickel Ceiling Fan, accessed Mar. 3, 2016.

<http://ceilingfans.emerson.com/shop/en/fan/fans-s-emerson-fans/fans-s-contemporary/southtowne-fan-p-cf4900>, Item Specification for the Emerson Southtowne SKU: CF4900ORB, accessed Mar. 3, 2016.

<http://www.craftmade.com/Craftmade-Copeland-v16.htm>, Item Specification for the Craftmade Copeland Model #: CN52OBG5, accessed Mar. 3, 2016.

<http://www.minkagroup.net/products/f696-ka>, Item Specification for The Minka Aire Kafe-XL 60" Ceiling Fan in Kocoa Finish with 5 Reversible Blades in Toned Medium Maple / Dark Maple, accessed Mar. 3, 2016.

<http://www.montecarlofans.com/28202/52-Acura-Fan-Roman-Bronze-3ACR52RBD.html>, Item Specification for the Monte Carlo Acura 52" 3-Blade Acura Ceiling Fan with Remote and Light Kit, Product #: 3ACR52RBD, accessed Mar. 3, 2016.

Minka Lavery Ceiling Fan Minka Aire F681-Bnw, 56", date first available Mar. 5, 2016, amazon.com, site visited Jun. 22, 2017, Copyright © 1996-2017, Available from Internet, <https://www.amazon.com/Minka-Lavery-Ceiling-Aire-F681-Bnw/dp/B01FT4T2VY/ref=sr_1_1?ie=UTF8&qid=1498059115&sr=8-1&keywords=minka+aire+groton>.

One Light English Bronze Cream Frosted Glass Hugger Ceiling Fan-Savoy House 52-417-3WA-13, date first available Sep. 8, 2014, amazon.com, site visited Jun. 22, 2017, Copyright © 1996-2017, Available from Internet, <https://www.amazon.com/English-Frosted-Fan-Savoy-House-52-417-3WA-13/dp/B00N EWL4UG/ref=sr_1_2?ie=UTF8&qid=1498062592&sr=8-2&keywords=sa>.

Craftmade SOE54ESP5, Solo LED Espresso Five Blade 54" Ceiling Fan With Dimmable Light and Remote, date first available Mar. 18, 2016, amazon.com, site visited Jun. 21, 2017, Copyright © 1996-2017, Available from Internet, <https://www.amazon.com/Craftmade-SOE54ESP5-Espresso-Ceiling-Dimmable/dp/B01D4TWE7U/ref=sr_1_1?ie=UTF8&qid=1498058099&sr=8-1&ke>.

Hampton Bay Marlton, date first available Oct. 5, 2012, site visited Jun. 22, 2017, Copyright © 1996-2017, Available from Internet, <https://www.amazon.com/Marlton-Oil-Rubbed-Bronze/dp/B009M9AJPQ/ref=sr_1_1?ie=UTF8&qid=1498142645&sr=8-1&keywords=hampton+bay+marlton>.

* cited by examiner

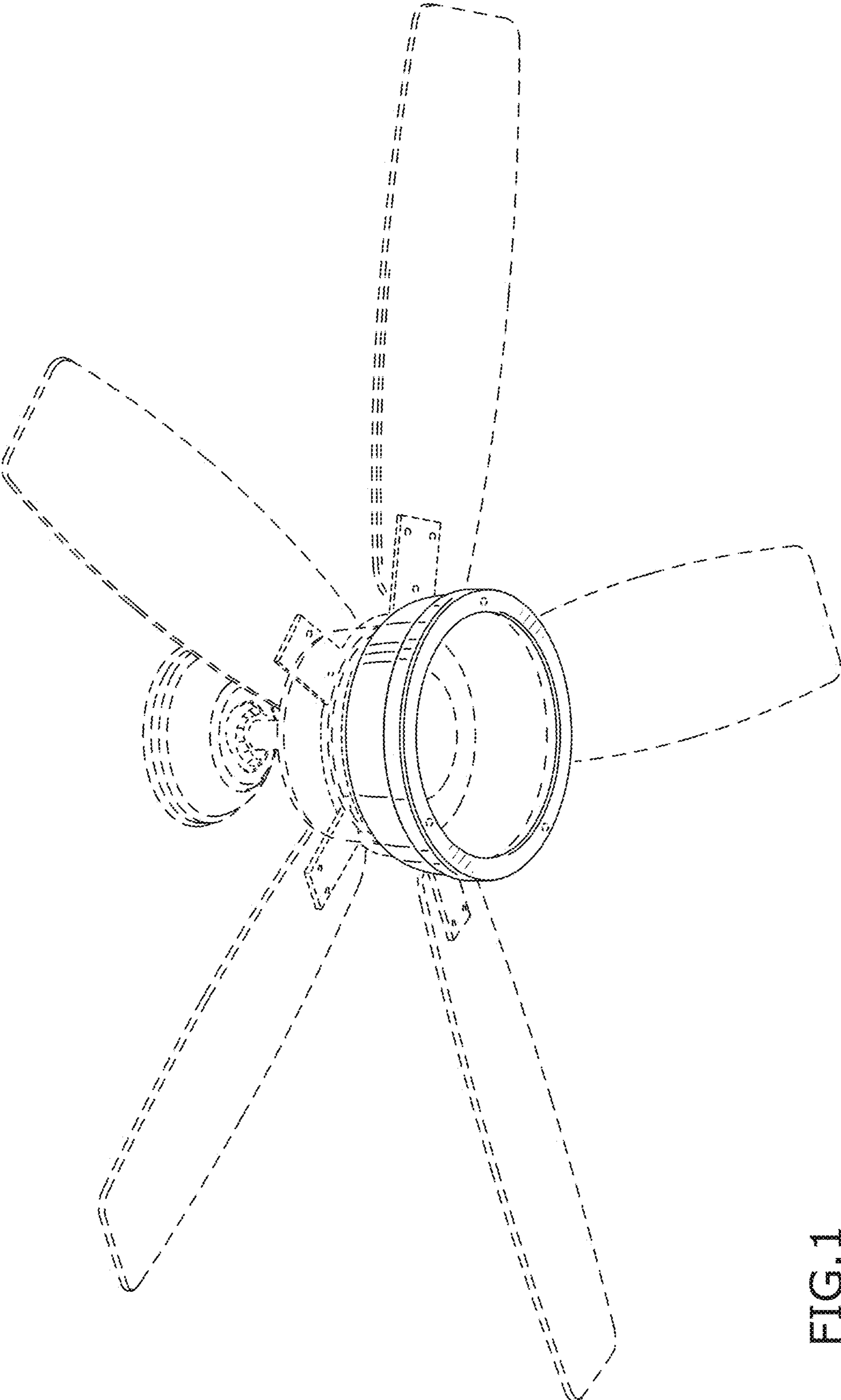


FIG.1

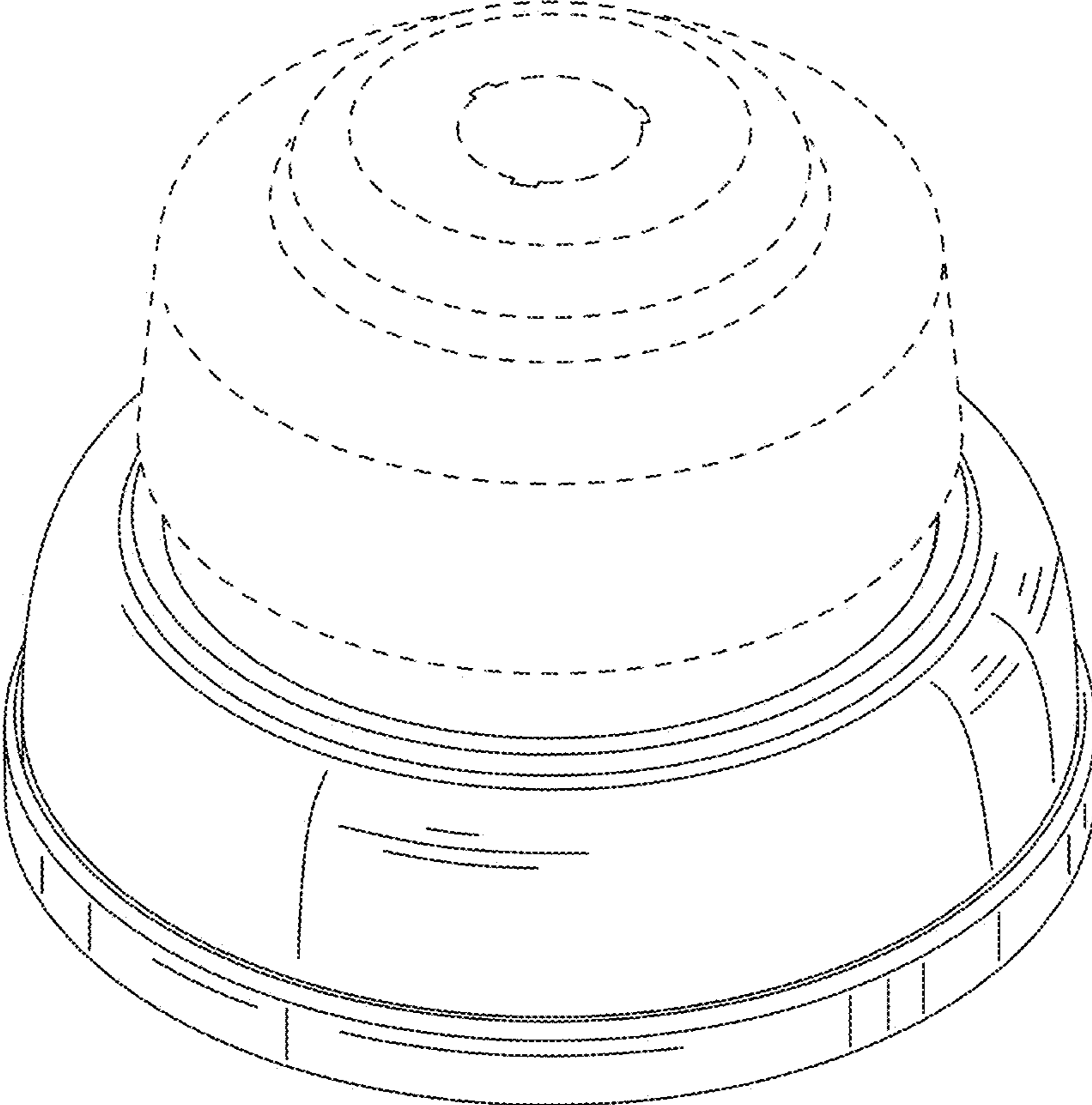


FIG. 2

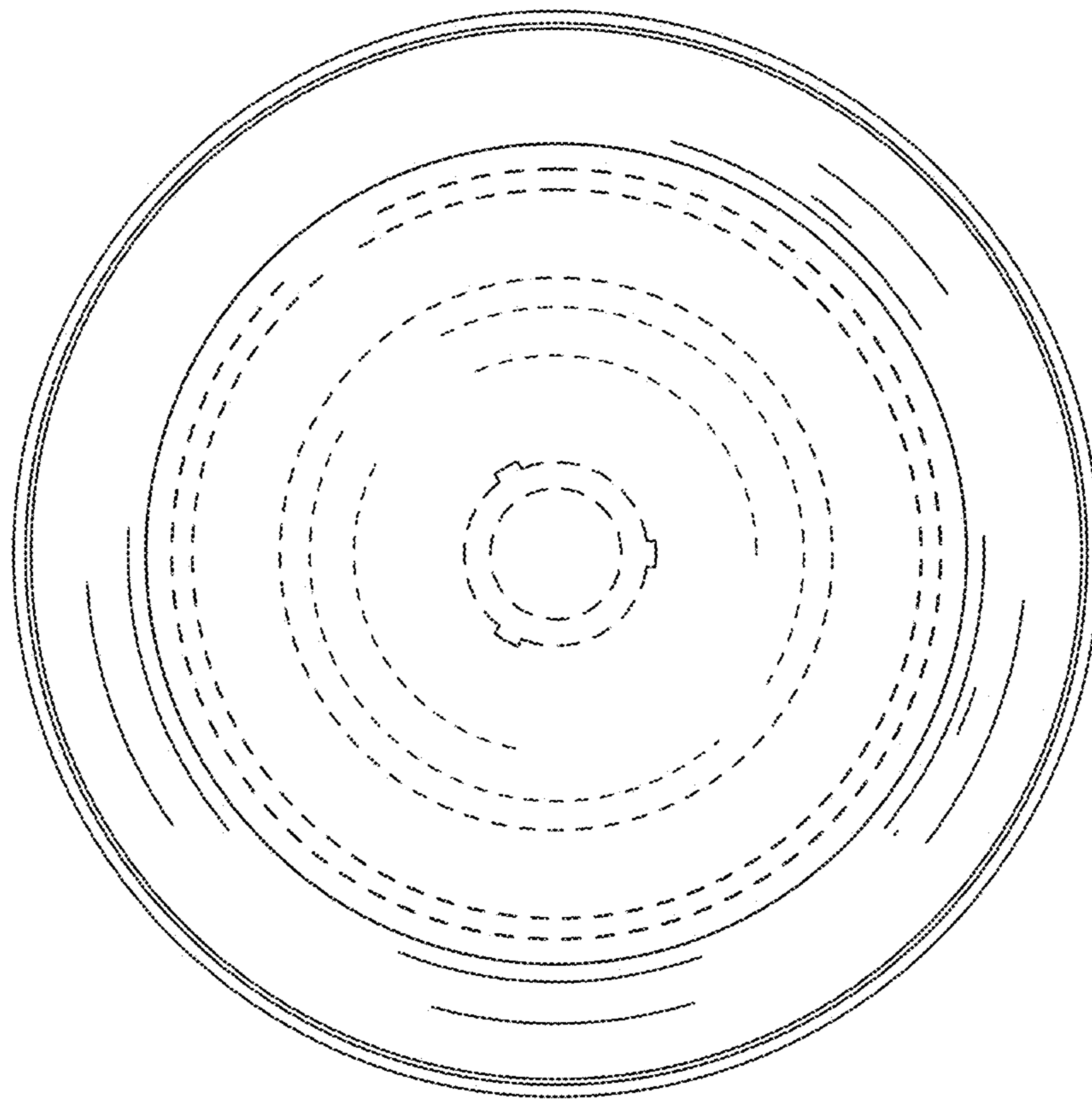


FIG. 3

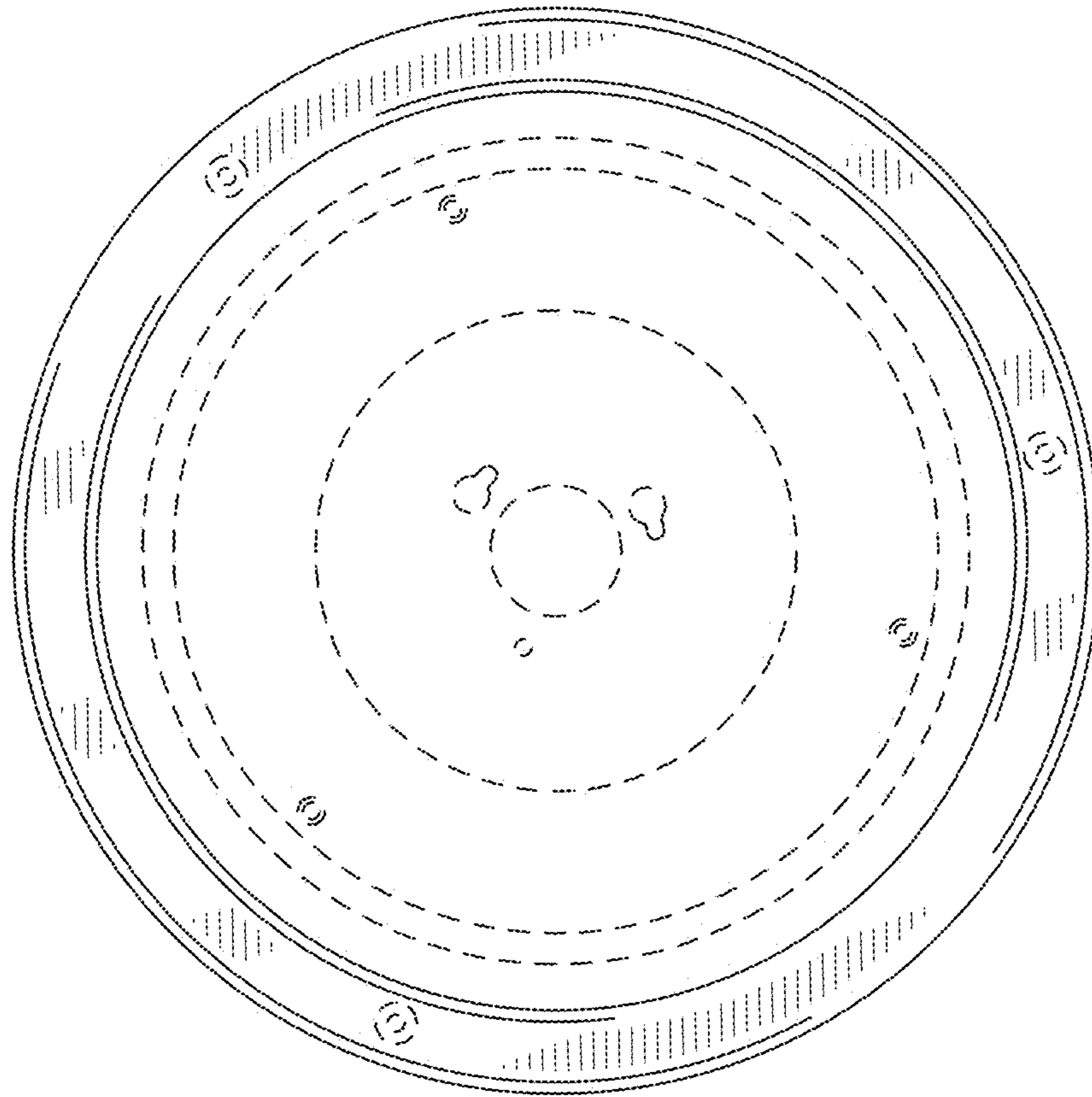


FIG. 4

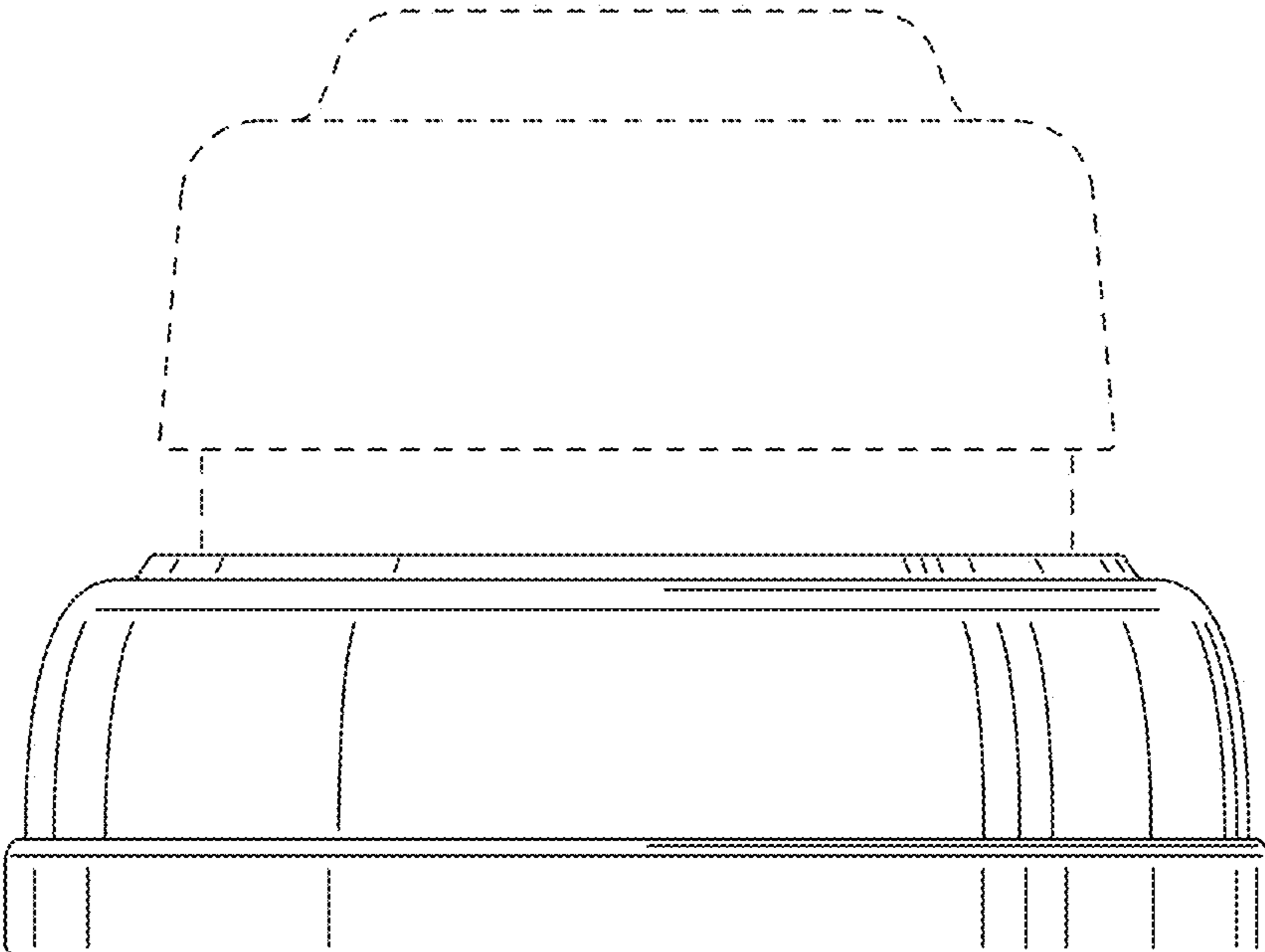


FIG. 5