



US00D888223S

(12) **United States Design Patent** (10) **Patent No.:** **US D888,223 S**
Yuan et al. (45) **Date of Patent:** **** Jun. 23, 2020**

(54) **TOWER FAN**

(71) Applicant: **GREE ELECTRIC APPLIANCES, INC. OF ZHUHAI**, Zhuhai (CN)

(72) Inventors: **Ye Yuan**, Zhuhai (CN); **Qijian Yang**, Zhuhai (CN); **Ke Mou**, Zhuhai (CN); **Jingjing Wang**, Zhuhai (CN); **Luan Qin**, Zhuhai (CN); **Huanlong Wu**, Zhuhai (CN)

(**) Term: **15 Years**

(21) Appl. No.: **29/679,169**

(22) Filed: **Feb. 2, 2019**

(51) **LOC (12) Cl.** **23-04**

(52) **U.S. Cl.**
USPC **D23/378**

(58) **Field of Classification Search**
USPC D23/332, 333, 335-337, 342, 351, 364, D23/370, 377-379, 381-383, 411-414; D26/59; D15/5; D32/15
CPC F04D 25/088; F04D 29/388; F04D 29/34; F04D 25/08; F21V 33/0096

See application file for complete search history.

(56) **References Cited**

U.S. PATENT DOCUMENTS

D483,457 S *	12/2003	Wang	D23/328
D519,201 S *	4/2006	Lee	D23/378
D543,612 S *	5/2007	Fok	D23/336
D588,686 S *	3/2009	Spiegel	D23/364
D814,000 S *	3/2018	Qiao	D23/333
2005/0123392 A1 *	6/2005	Belsito	F04D 17/04 415/53.1

* cited by examiner

Primary Examiner — Janice Hallmark
(74) *Attorney, Agent, or Firm* — W&K IP

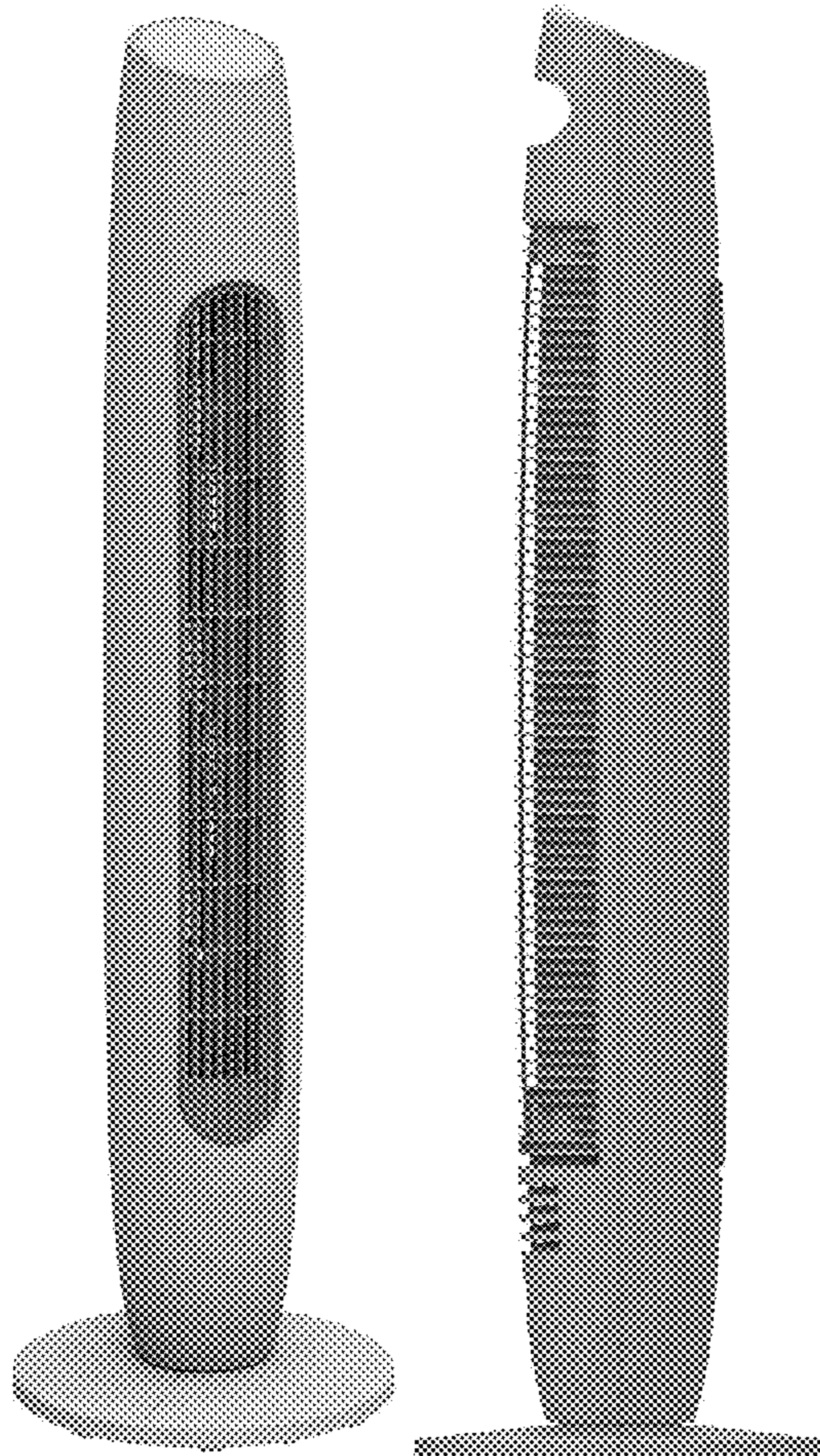
(57) **CLAIM**

The ornamental design for a tower fan, as shown and described.

DESCRIPTION

FIG. 1 is a perspective view of a tower fan; FIG. 2 is a front elevation view thereof; FIG. 3 is a rear elevation view thereof; FIG. 4 is a left side view thereof; FIG. 5 is a right side view thereof; FIG. 6 is a top plan view thereof; and, FIG. 7 is a bottom plan view thereof.

1 Claim, 7 Drawing Sheets



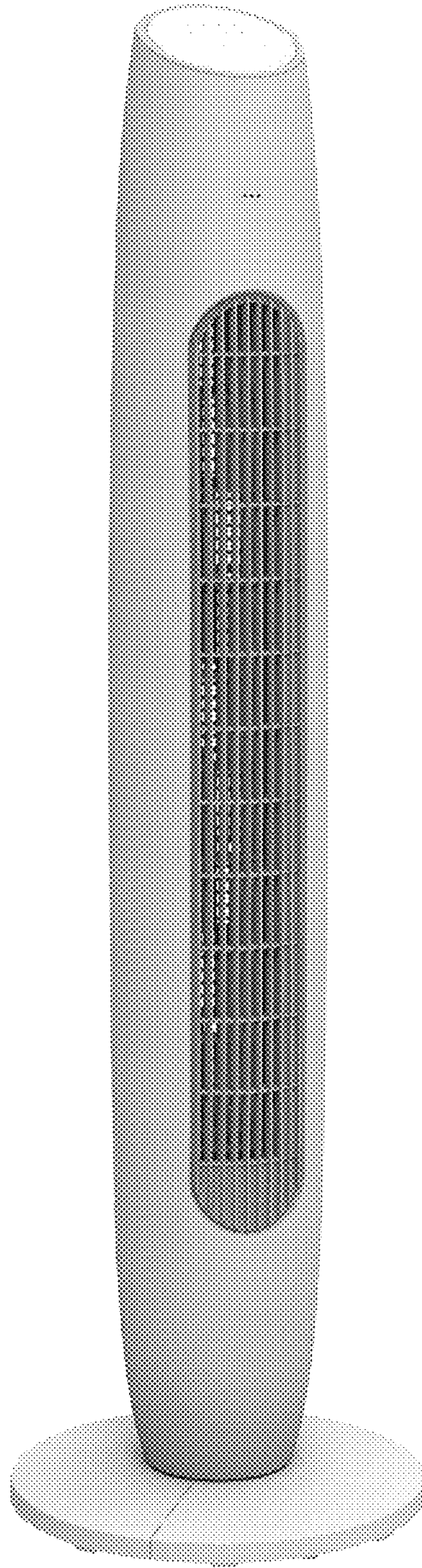


FIG. 1

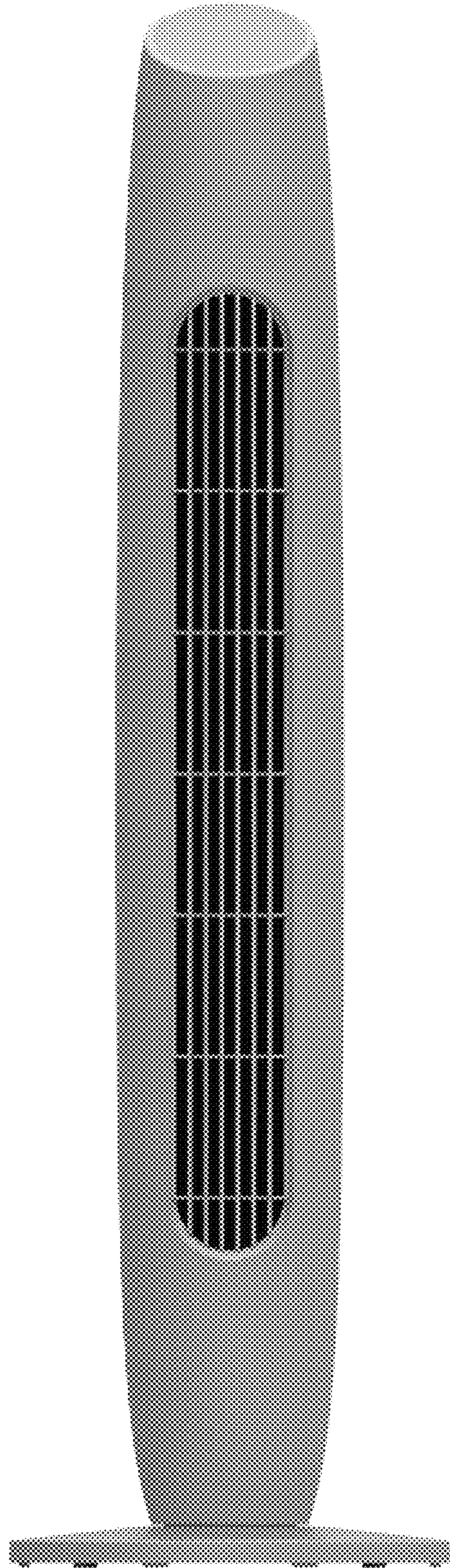


FIG.2

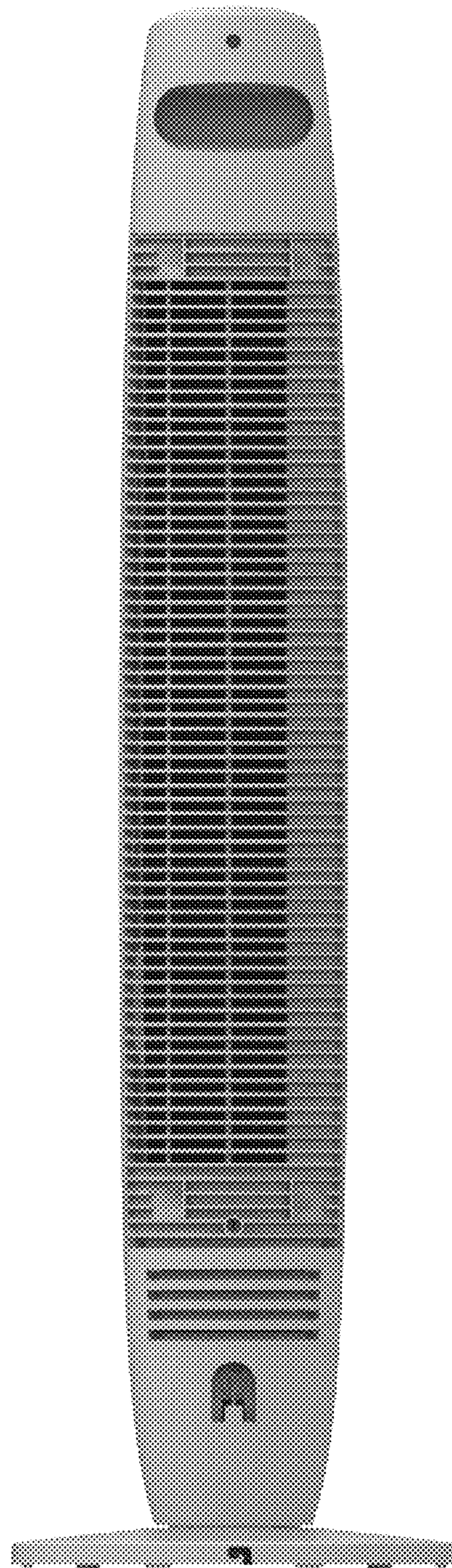


FIG.3

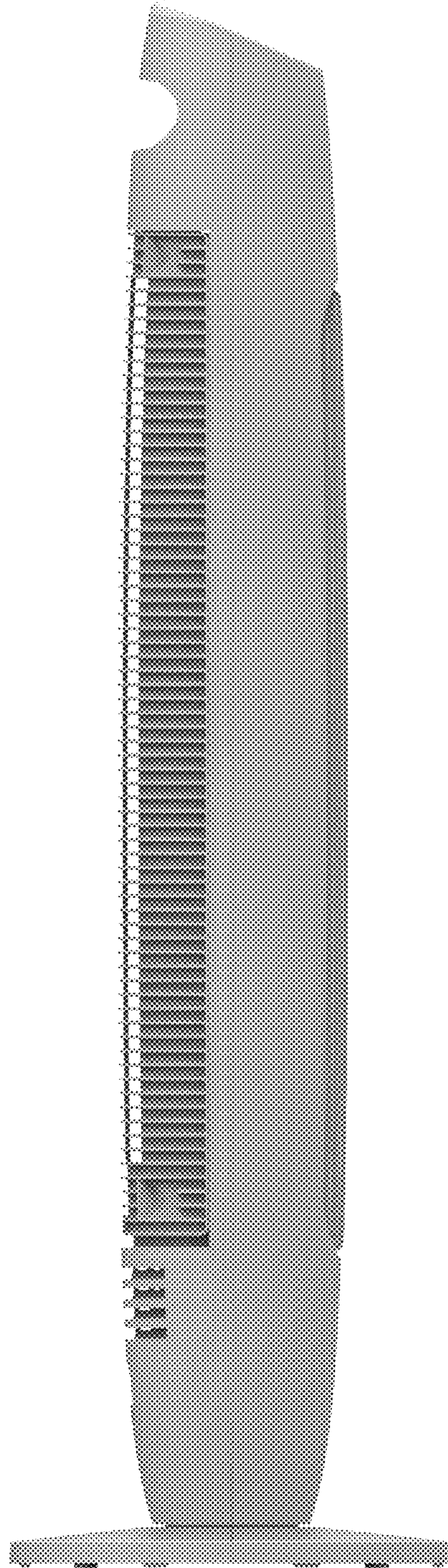


FIG.4

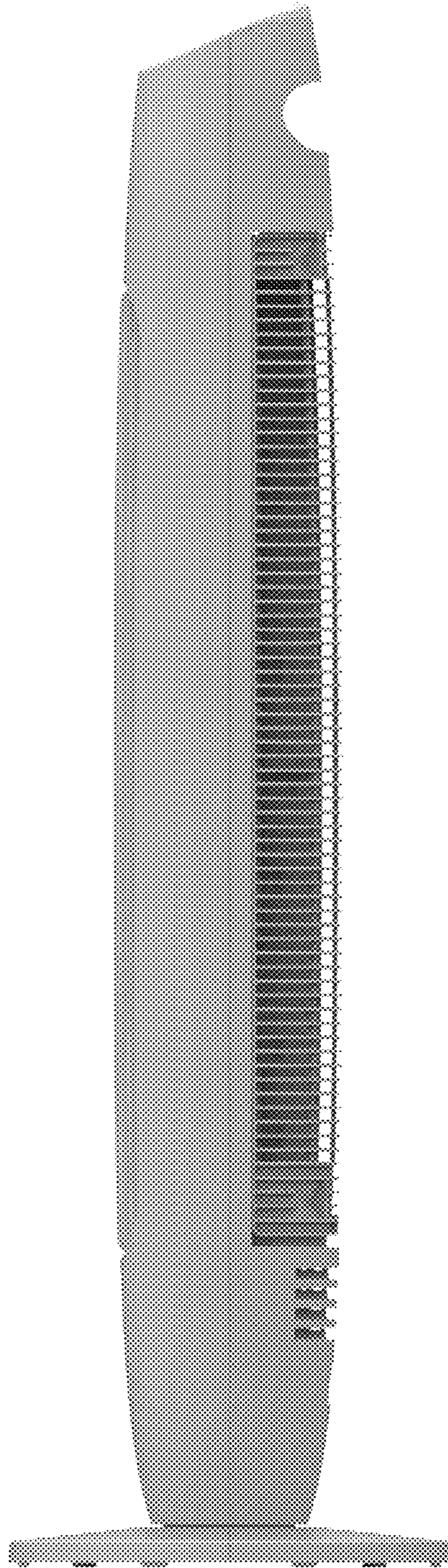


FIG.5

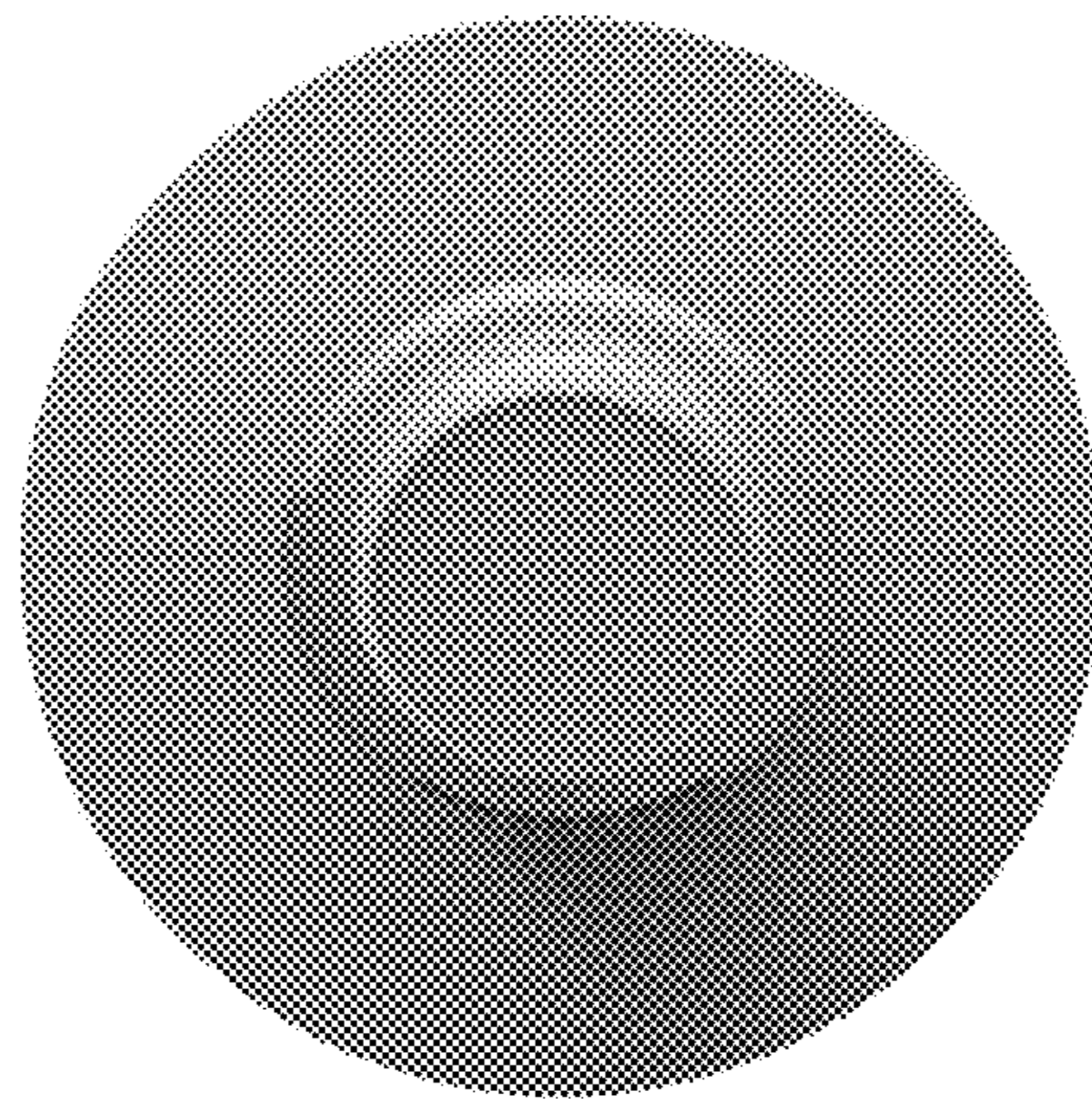


FIG.6

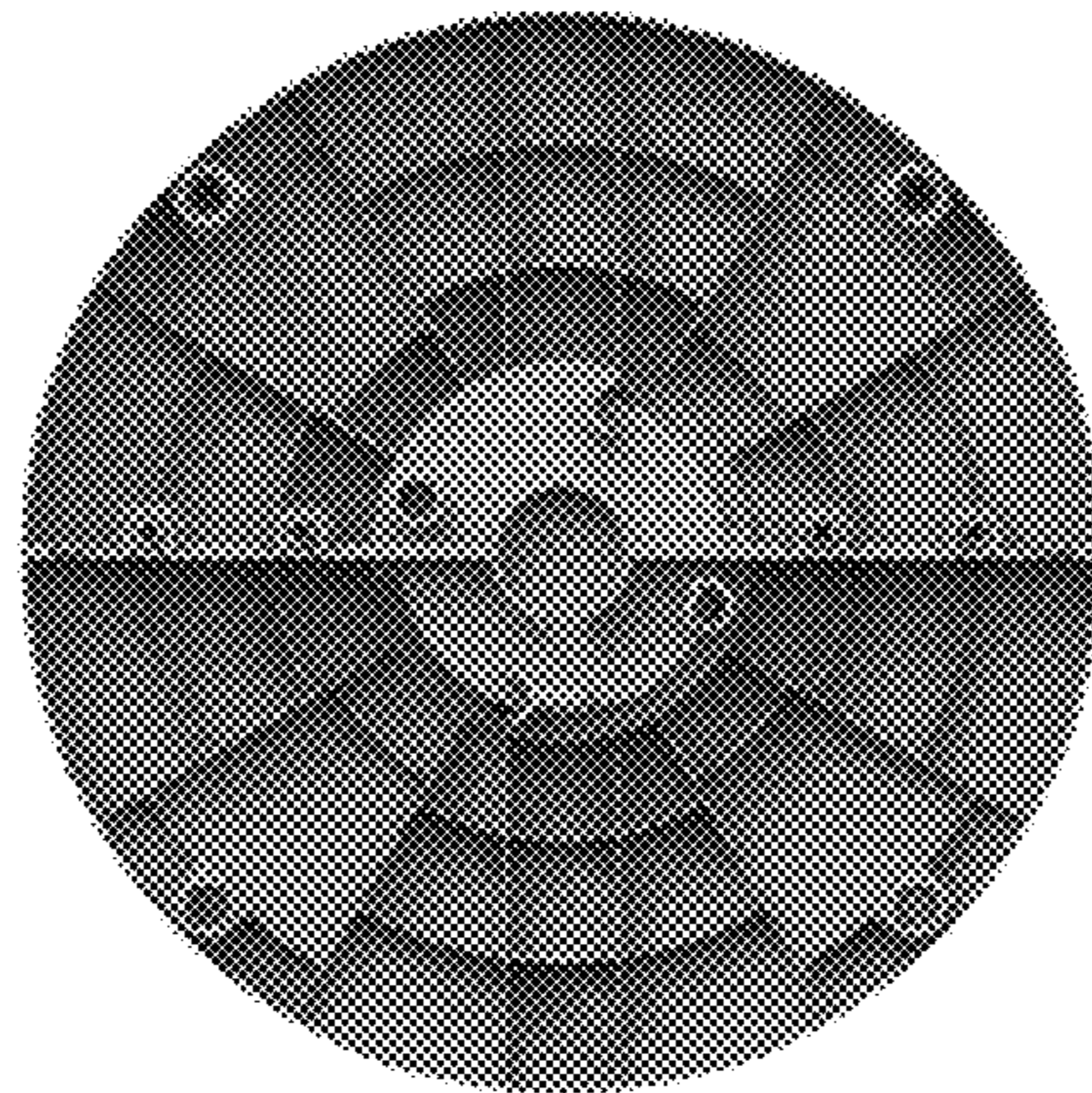


FIG.7