



US00D888222S

(12) **United States Design Patent**
Wang

(10) **Patent No.:** **US D888,222 S**
(45) **Date of Patent:** **** Jun. 23, 2020**

(54) **ELECTRIC FAN**

(71) Applicant: **ZhiMing Wang**, La Habra, CA (US)

(72) Inventor: **ZhiMing Wang**, La Habra, CA (US)

(**) Term: **15 Years**

(21) Appl. No.: **29/639,556**

(22) Filed: **Mar. 7, 2018**

(51) **LOC (12) Cl.** **23-04**

(52) **U.S. Cl.**
USPC **D23/378**

(58) **Field of Classification Search**
USPC D23/314, 317, 324, 328, 332–337, 342,
D23/351, 352, 355, 356, 359, 362, 364,
D23/366, 370–376, 378, 379, 381–385,
D23/411–414

CPC F04D 25/08; F04D 29/403; F04D 29/522
See application file for complete search history.

(56) **References Cited**

U.S. PATENT DOCUMENTS

| | | | |
|--------------|---------|---------------|---------|
| D94,103 S * | 12/1934 | Weber | D23/382 |
| D291,352 S * | 8/1987 | Kouno | D23/378 |
| D329,089 S | 9/1992 | Coup et al. | |
| D398,983 S | 9/1998 | Keller et al. | |
| D485,895 S * | 1/2004 | Melwani | D23/370 |
| D513,434 S * | 1/2006 | Melwani | D23/379 |
| D537,516 S | 2/2007 | Ediger | |
| D676,124 S * | 2/2013 | Almanza | D23/378 |
| D688,368 S | 8/2013 | Ediger | |

| | | | |
|-----------------|---------|----------------|------------|
| D727,488 S * | 4/2015 | Hsu | D23/382 |
| D760,370 S | 6/2016 | Herbst | |
| 10,100,836 B2 * | 10/2018 | Stickney | F04D 25/08 |

OTHER PUBLICATIONS

Soleus Air Unveils a Next Level of Comfort Air Circulators, date published May 21, 2018, site visited Oct. 22, 2019, available from internet , <<https://www.prnewswire.com/news-releases/soleus-air-unveils-a-next-level-of-comfort-air-circulators-300651299.html>>.*

* cited by examiner

Primary Examiner — Cathron C Brooks

Assistant Examiner — Sharon S Oum

(74) *Attorney, Agent, or Firm* — Scot Fagerland

(57) **CLAIM**

The ornamental design for an electric fan, as shown and described.

DESCRIPTION

FIG. 1 is a perspective view.

FIG. 2 is a front view.

FIG. 3 is a rear view.

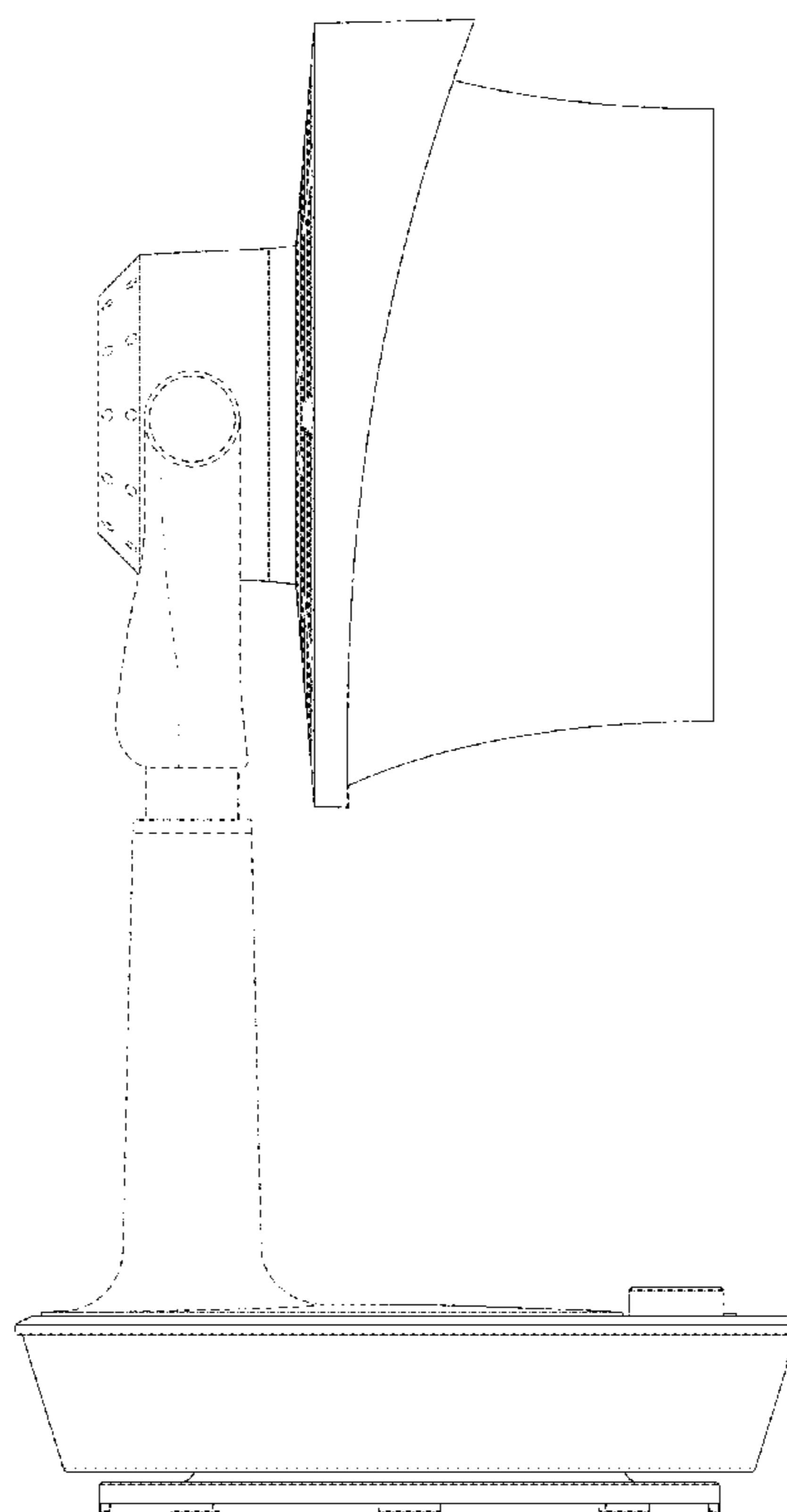
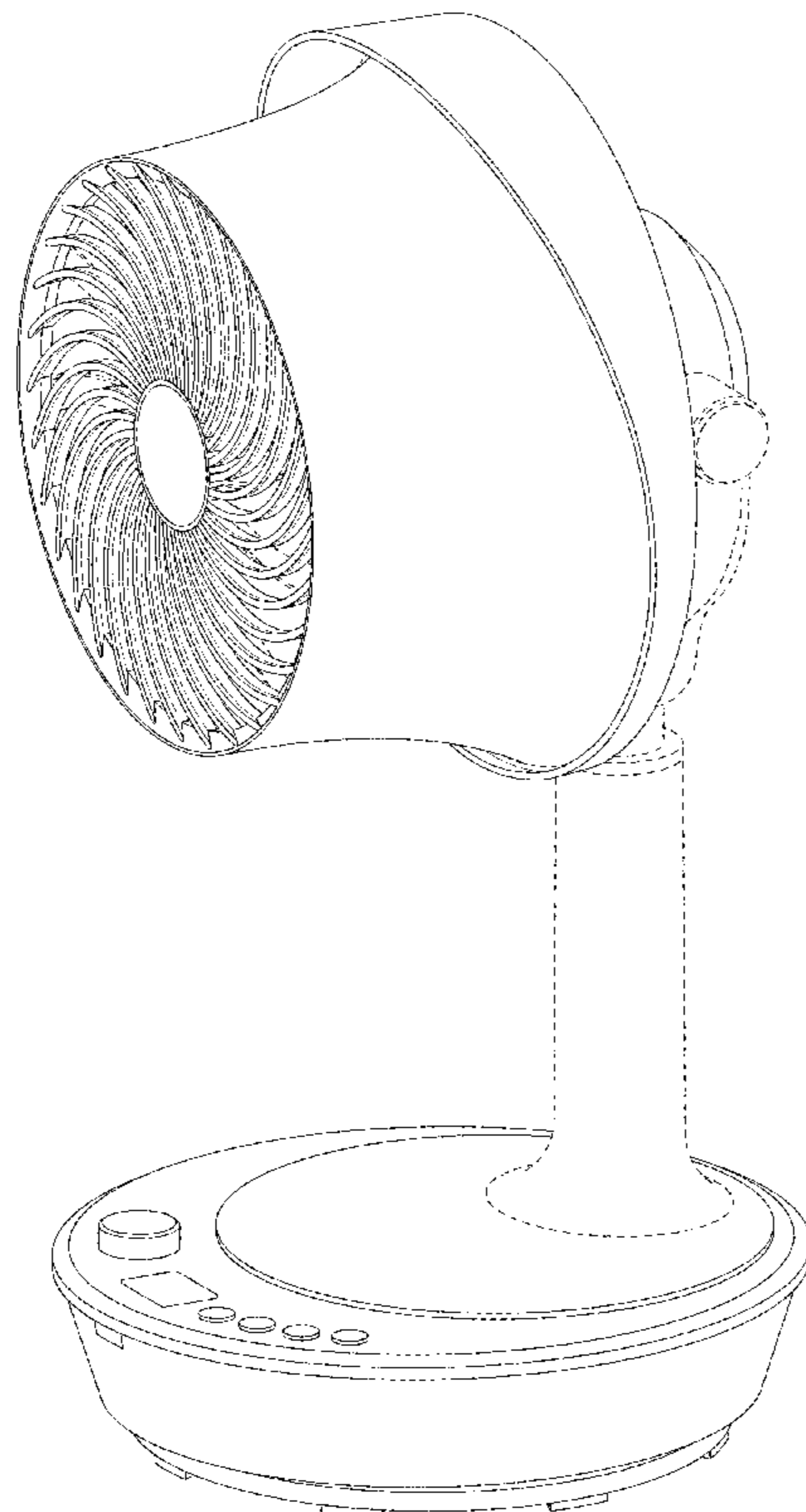
FIG. 4 is a right view, which is the mirror image of the left view.

FIG. 5 is a top view; and,

FIG. 6 is a bottom view.

In all figures, all parts rendered in dashed line illustrate portions of the electric fan and are not part of the claimed design.

1 Claim, 6 Drawing Sheets



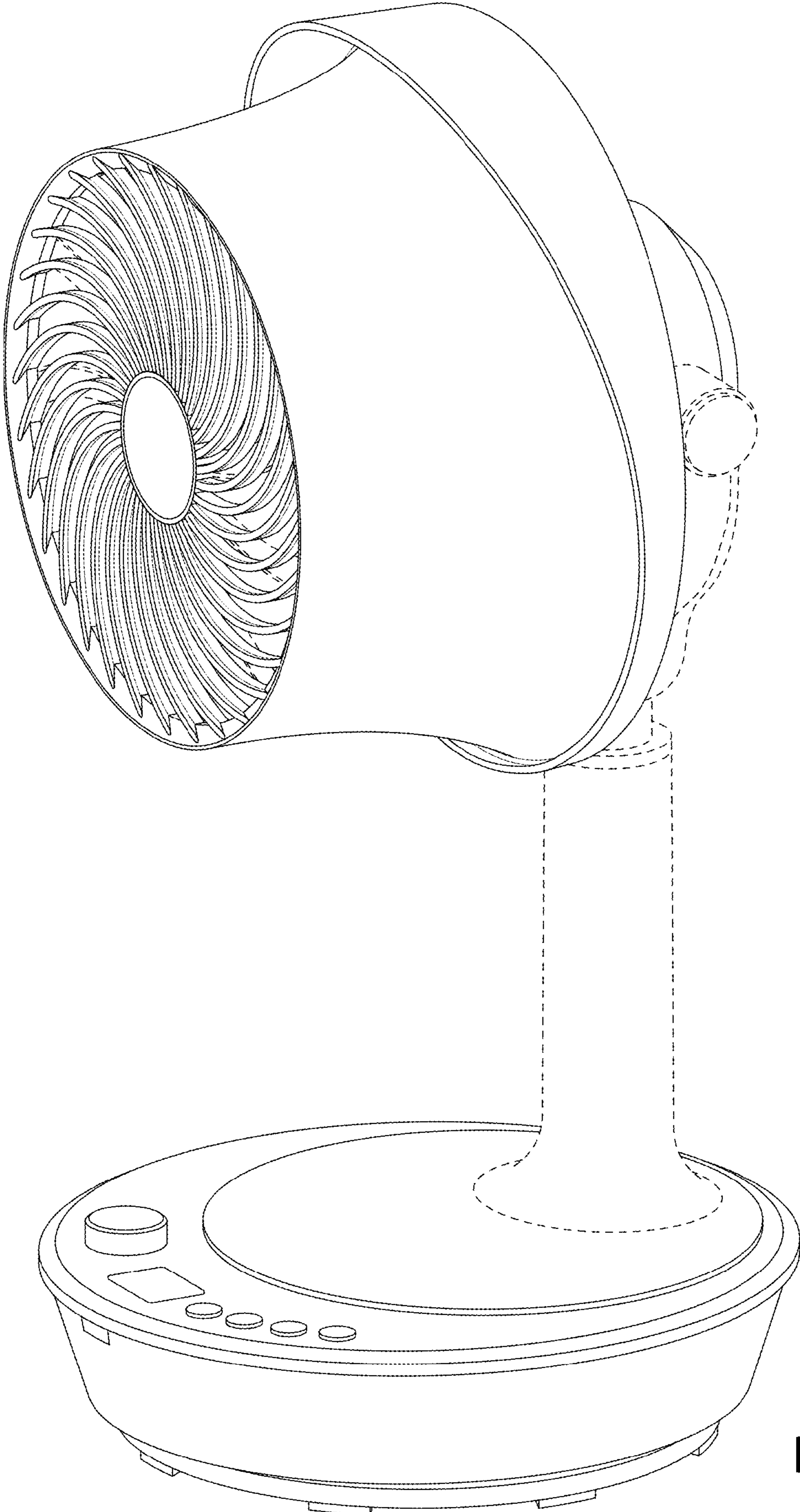


FIG. 1

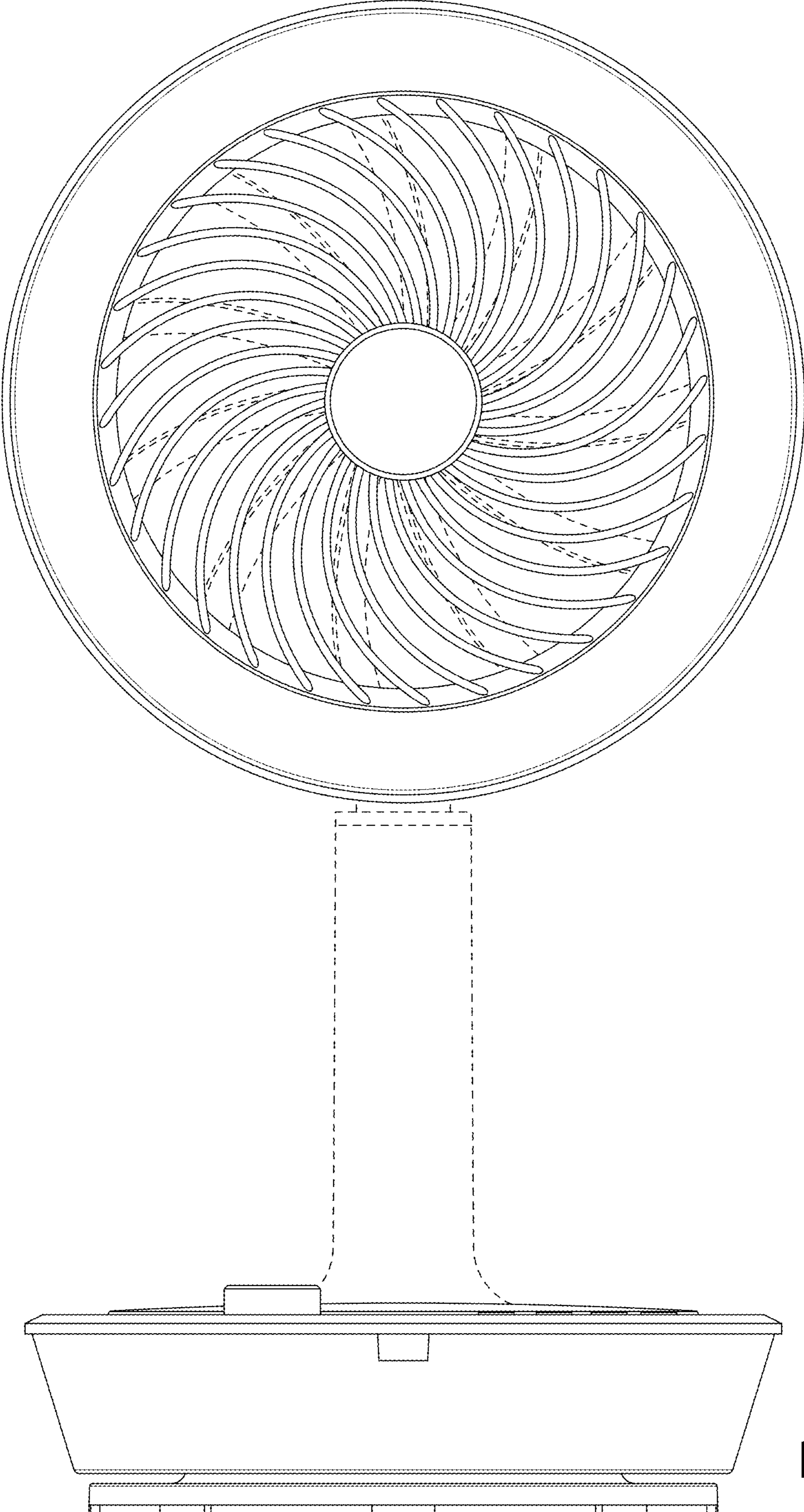


FIG. 2

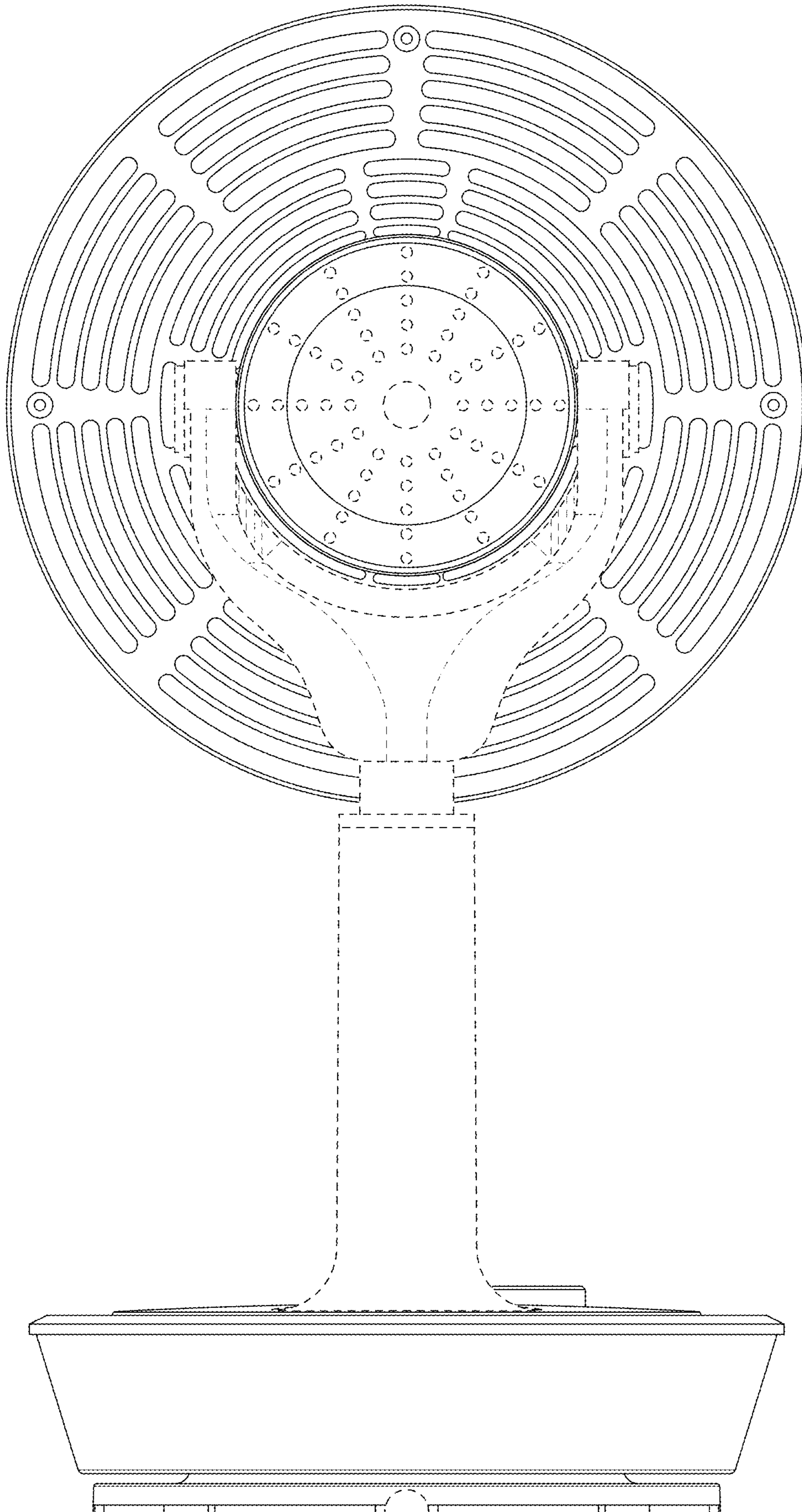


FIG. 3

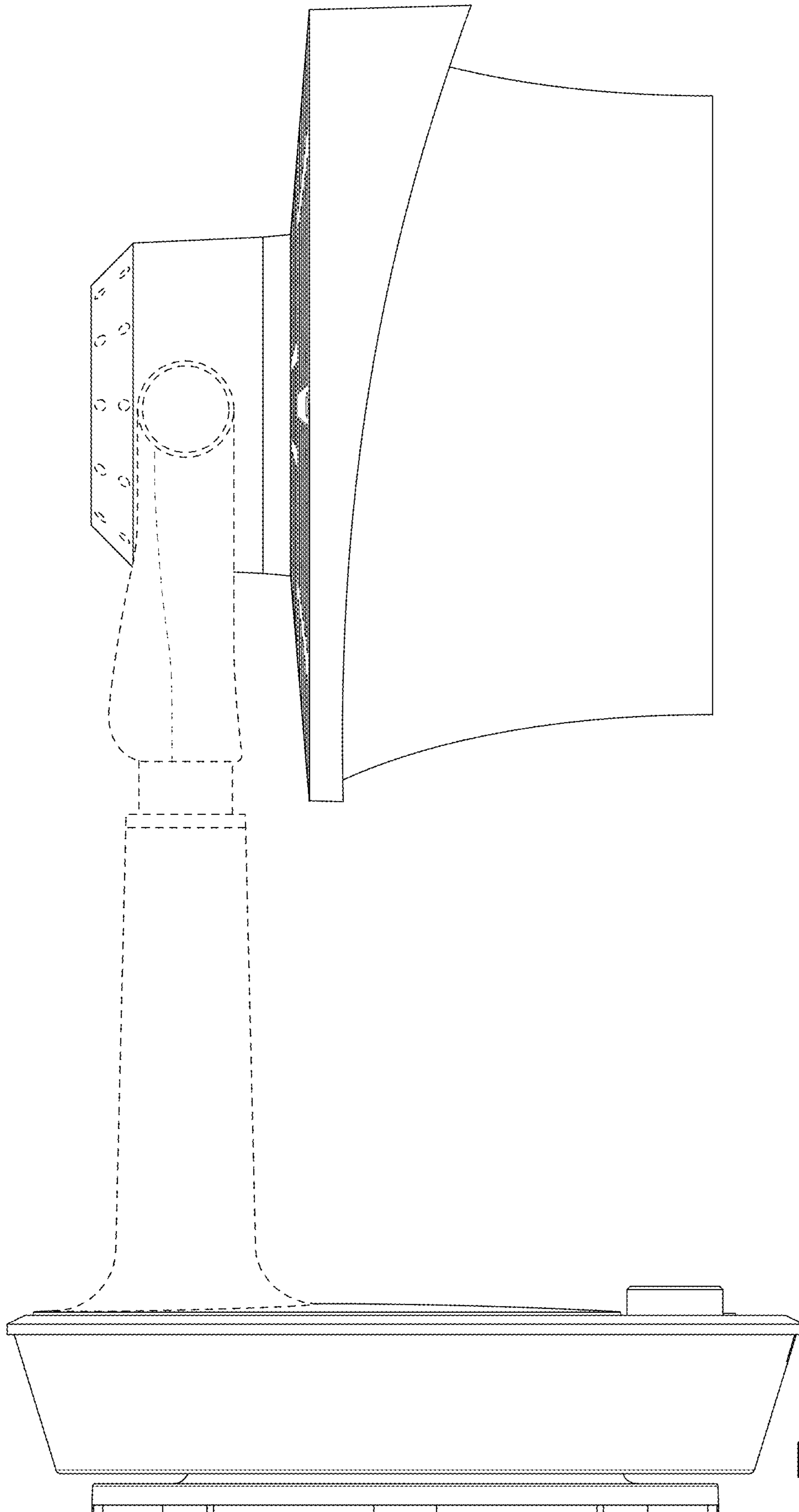


FIG. 4

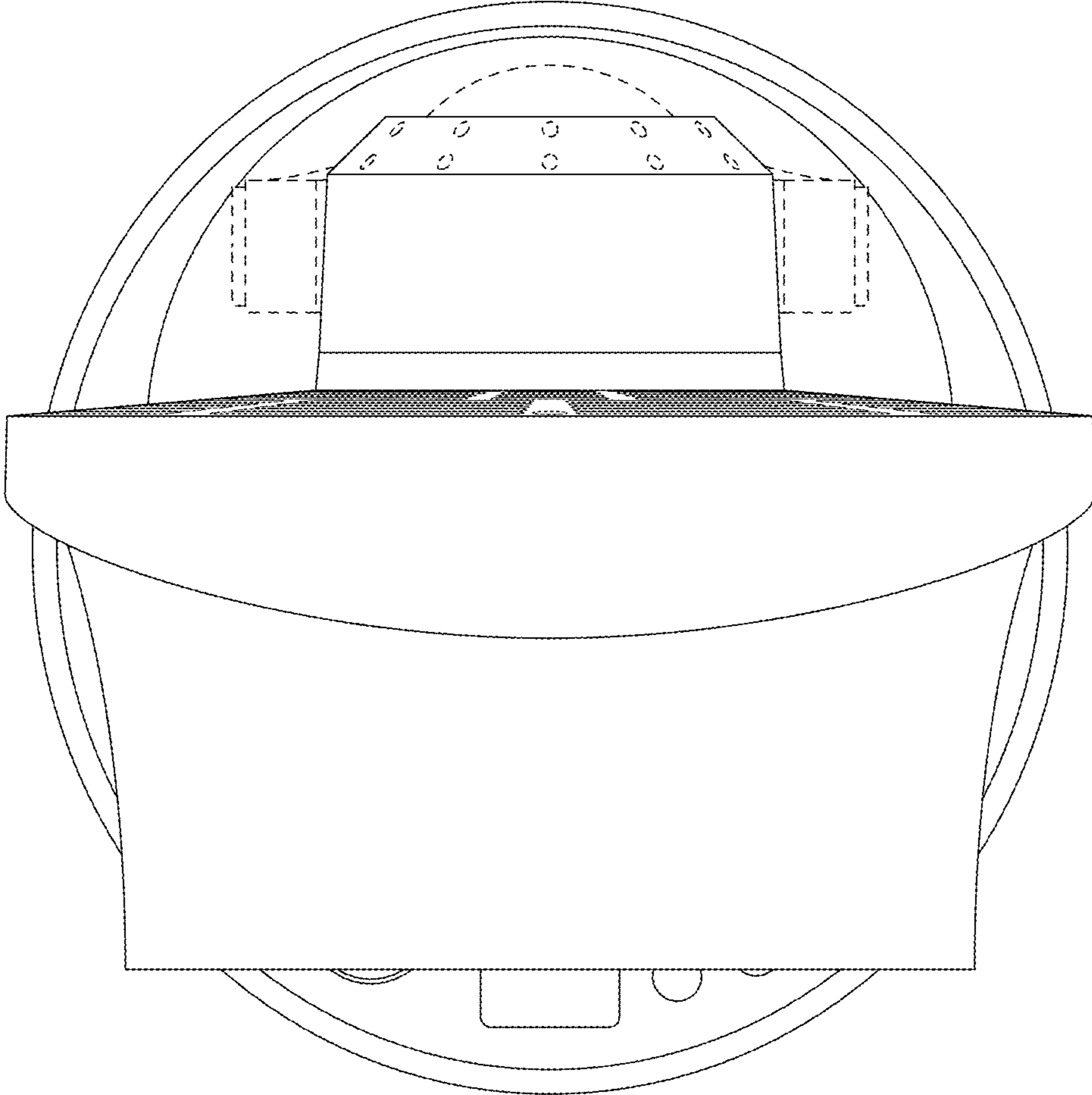


FIG. 5

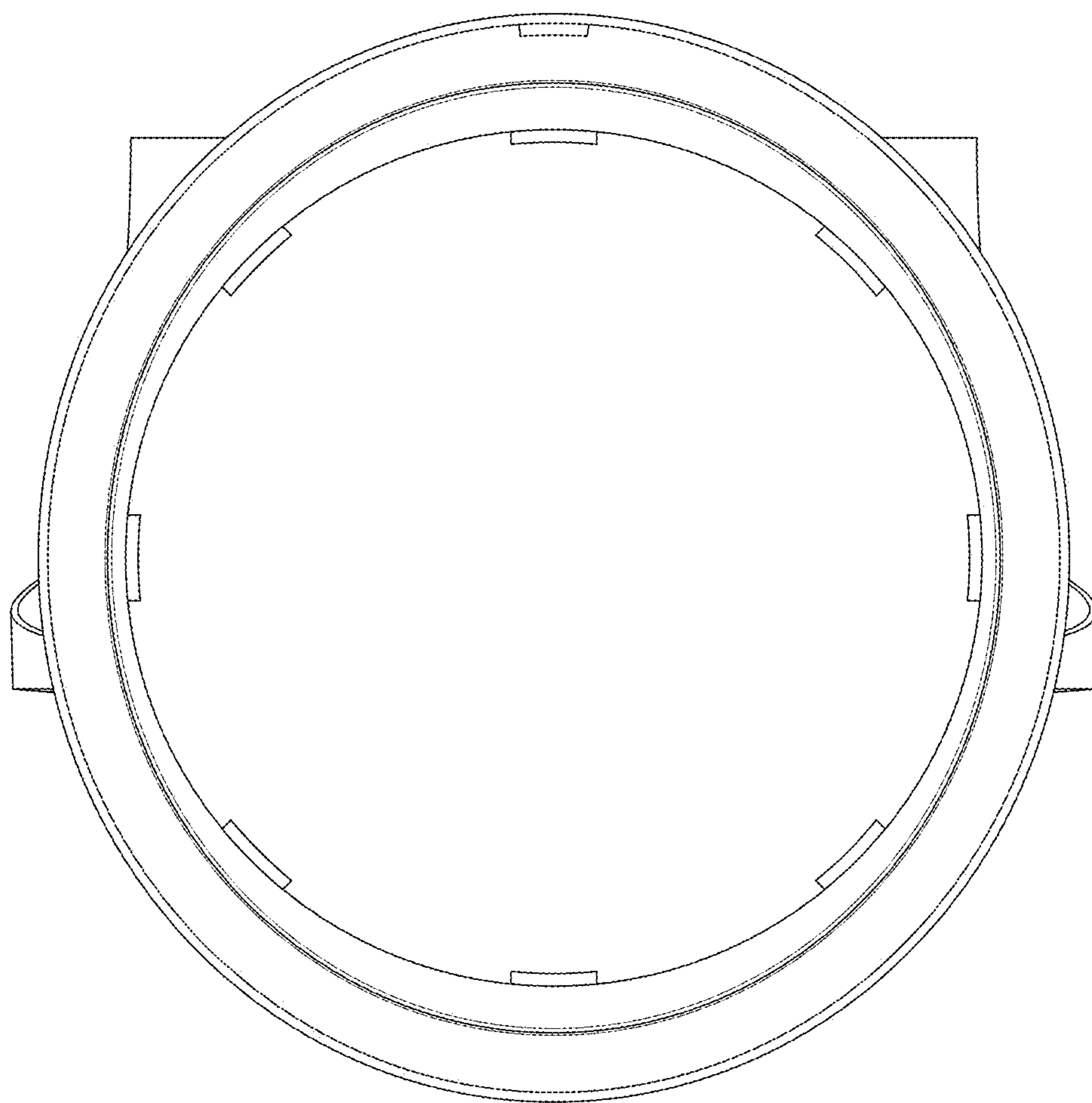


FIG. 6