



US00D888221S

(12) **United States Design Patent**
O’Connell et al.

(10) **Patent No.:** **US D888,221 S**

(45) **Date of Patent:** **** *Jun. 23, 2020**

(54) **CEILING FAN**

(71) Applicant: **HUNTER FAN COMPANY**,
Memphis, TN (US)

(72) Inventors: **Patrick R. O’Connell**, Germantown,
TN (US); **Christine Holmes**, Memphis,
TN (US)

(73) Assignee: **Hunter Fan Company**, Memphis, TN
(US)

(*) Notice: This patent is subject to a terminal dis-
claimer.

(**) Term: **15 Years**

(21) Appl. No.: **29/642,362**

(22) Filed: **Mar. 29, 2018**

(51) **LOC (12) Cl.** **23-04**

(52) **U.S. Cl.**
USPC **D23/377**

(58) **Field of Classification Search**
USPC D23/370–385, 411–414; D26/59, 85, 86,
D26/89, 90
CPC F04D 25/088; F04D 29/38; F04D 29/384;
F04D 29/386; F21V 33/0096
See application file for complete search history.

(56) **References Cited**

U.S. PATENT DOCUMENTS

D414,857 S *	10/1999	Zuege	D23/377
D420,120 S *	2/2000	Evans	D23/377
D464,722 S *	10/2002	Sonneman	D23/377
D488,554 S *	4/2004	Bacon	D23/411
D547,436 S *	7/2007	Shurtleff	D23/411
D549,813 S *	8/2007	Gajewski	D23/377
D557,787 S *	12/2007	Gajewski	D23/377
D567,988 S *	4/2008	Lissoni	D26/88
D592,792 S *	5/2009	Keller	D26/88
D599,459 S	9/2009	Hidalgo		
D632,381 S *	2/2011	Davenport	D23/377

D632,384 S *	2/2011	Pan	D23/411
D632,412 S	2/2011	Pan		
D633,611 S *	3/2011	Pan	D23/377

(Continued)

OTHER PUBLICATIONS

<http://www.homedepot.com/p/Hampton-Bay-Marlton-52-in-Indoor-Liquid-Nickel-Ceiling-Fan-YG305-LN/202529593>, Hampton Bay, Marlton 52 in. Indoor Liquid Nickel Ceiling Fan, Model No. YG0305-LN, accessed Sep. 21, 2017.

(Continued)

Primary Examiner — Cathron C Brooks

Assistant Examiner — Sharon S Oum

(74) *Attorney, Agent, or Firm* — McGarry Bair PC

(57) **CLAIM**

The ornamental design for a ceiling fan, as shown and described.

DESCRIPTION

FIG. 1 is a top perspective view of a ceiling fan showing our invention;

FIG. 2 is a bottom perspective view of the ceiling fan of FIG. 1;

FIG. 3 is a top elevation view of the ceiling fan of FIG. 1;

FIG. 4 is a bottom elevation view of the ceiling fan of FIG. 1;

FIG. 5 is a front side view of the ceiling fan of FIG. 1;

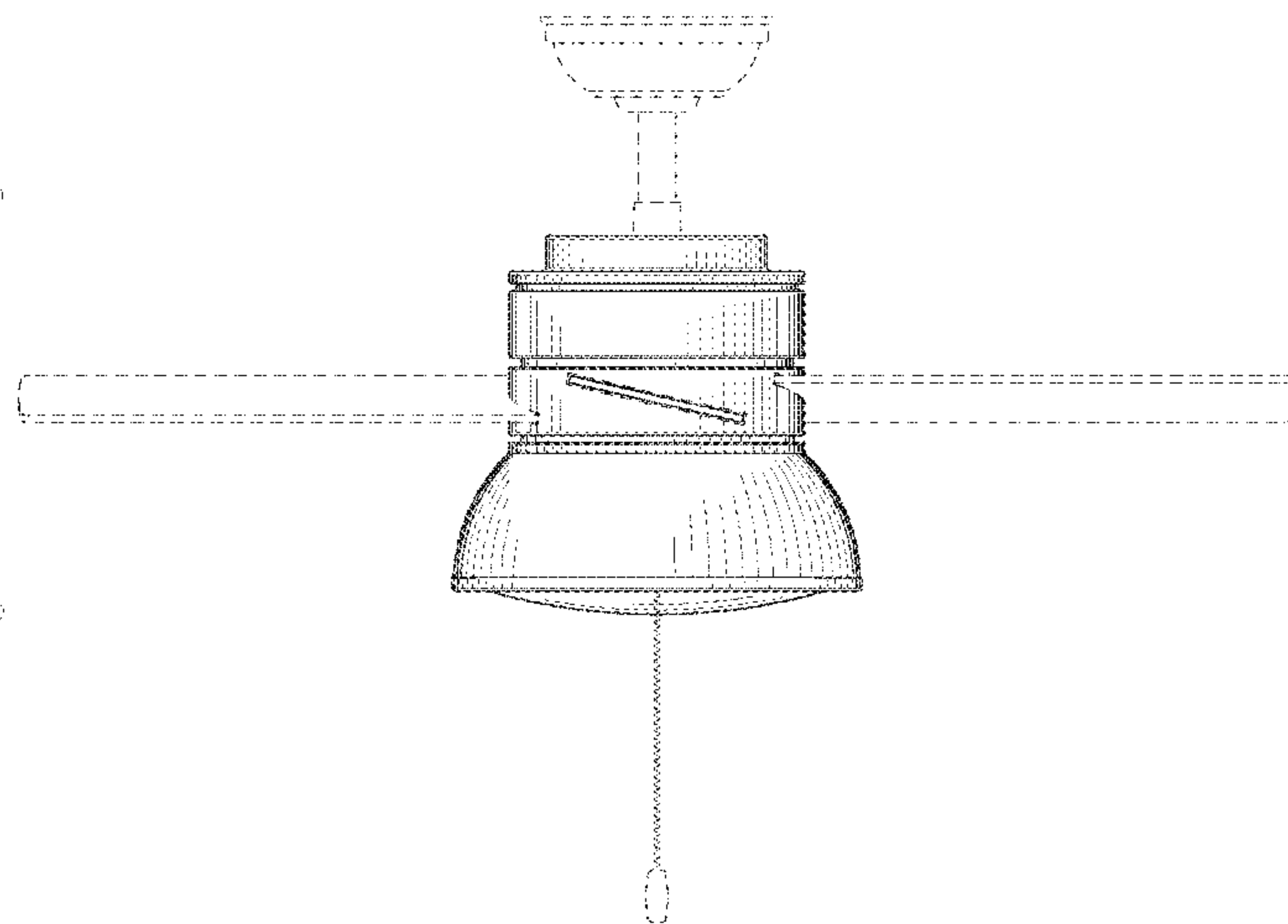
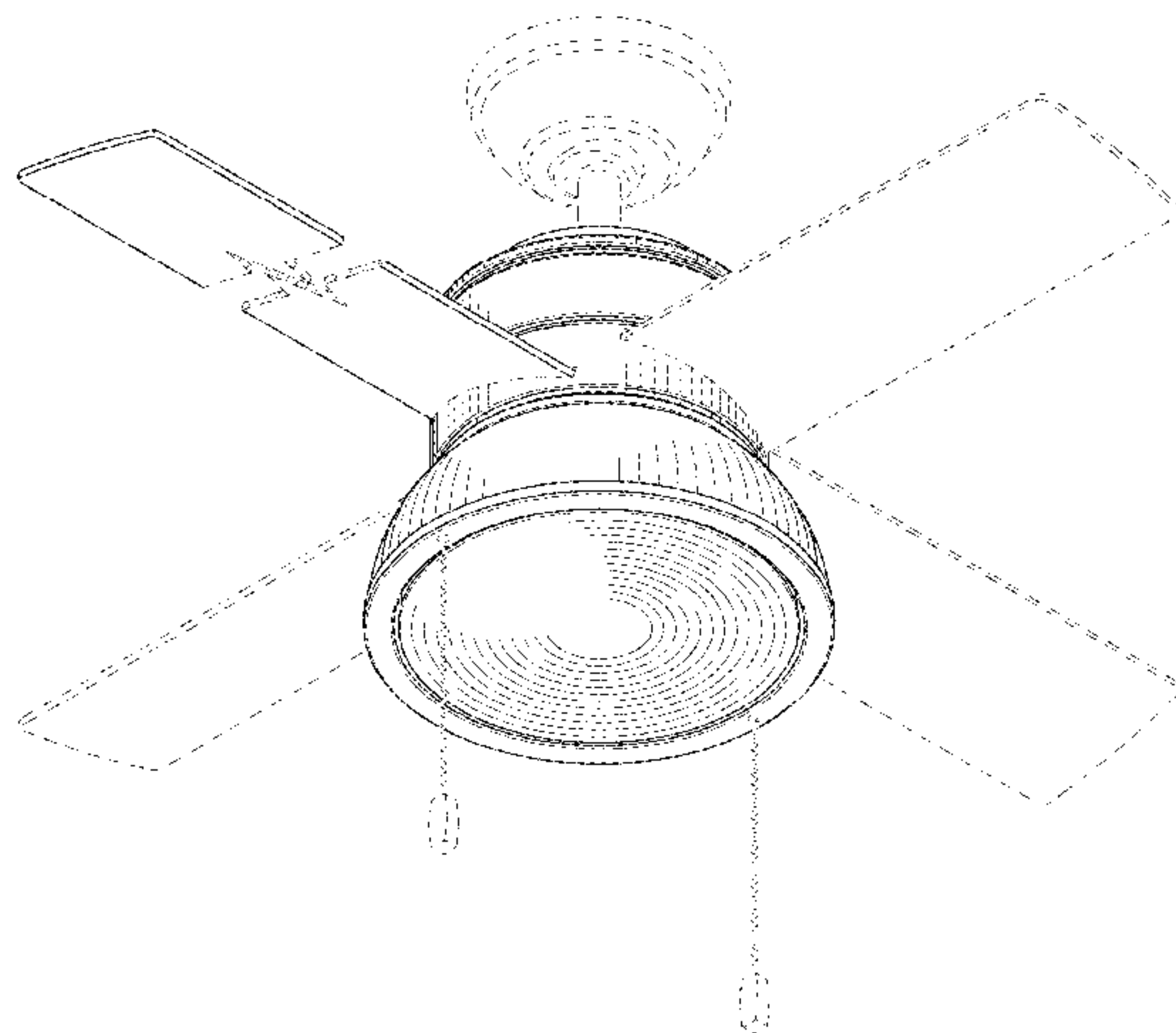
FIG. 6 is a back side view of the ceiling fan of FIG. 1;

FIG. 7 is a right side view of the ceiling fan of FIG. 1; and, FIG. 8 is a left side view of the blade of FIG. 1.

Portions of the ceiling fan shown in broken lines form no part of the claimed design.

The ceiling fan blade is shown with a symbolic break in its length. The appearance of any portion of the ceiling fan blade between the break lines forms no part of the claimed design.

1 Claim, 8 Drawing Sheets



(56)

References Cited

U.S. PATENT DOCUMENTS

D663,455	S	7/2012	Glasbrenner	
D704,821	S	5/2014	Wang	
D706,970	S *	6/2014	Wang	D26/59
D751,187	S *	3/2016	Dolan	D23/377
D760,368	S	6/2016	Chen	
D783,145	S	4/2017	Wang	
D798,431	S *	9/2017	McRoberts	D23/377
D800,289	S *	10/2017	Guthrie	D23/377
D804,633	S *	12/2017	Holmes	D23/377
D807,488	S *	1/2018	McRoberts	D23/377
D810,919	S *	2/2018	Haggar	D23/377
D826,395	S *	8/2018	McRoberts	D23/411
D827,123	S *	8/2018	Guthrie	D23/411
D831,268	S *	10/2018	Johnson	D26/142
D838,357	S *	1/2019	Haggar	D23/411
D850,606	S *	6/2019	Wang	D23/377
D854,677	S *	7/2019	Haggar	D23/377
2005/0214145	A1 *	9/2005	Grinbergs	F04D 17/165 417/423.14

OTHER PUBLICATIONS

<https://www.menards.com/main/lighting-ceiling-fans/ceiling-fans/indoor-ceiling-fans/turn-of-the-century-reg-alban-52-brushed-nickel->

[led-ceiling-fan/p-1473854532487-c-7488.htm?tid=8991733599029403053&ipos=12](http://www.minkagroup.net/products/f534I-wh), Turn of the Century, Alban 52" Brushed Nickel LED Ceiling Fan, Model No. 20351, accessed Sep. 21, 2017.

<http://www.minkagroup.net/products/f534I-wh>, Minka Group, Lun-Aire 54" 5-Blade LED Ceiling Fan in White Finish with White Blades w/Etched Opal Glass, Model No. F534L-WH, accessed Sep. 21, 2017.

<http://www.montecarlofans.com/53867/57-Destin---Brushed-Steel-3DSTR57BSD.html>, Monte Carlo Destin Collection, 57" Destin, Brushed Steel, Product No. 3DSTR57BSD, accessed Sep. 21, 2017.

<http://www.homedepot.com/p/Hampton-Bay-Merope-52-in-Satin-Nickel-Indoor-Ceiling-Fan-HE-12027/203838990>, Hampton Bay, Merope 52 in. Satin Nickel Indoor Ceiling Fan, Model No. HE-12027, accessed Sep. 21, 2017.

<http://www.hunterfan.com/Ceiling-Fans/Clanton?ModelNumber=59202>, Minka Group, Shade 45" 4-Blade LED Ceiling Fan in Grey Iron Finish with Matte Black Blades w/Clear Fresnel Glass, Model No. F683L-GI, accessed Sep. 21, 2017.

<http://www.minkagroup.net/products/f683l-gi>, Fanimation Xeno Ceiling Fan, Model No. FP6728, accessed Sep. 21, 2017.

<http://www.fanimation.com/products/index.php/fans/xeno.html>, Hunter Fan, Clanton 52" Ceiling Fan in Brushed Steel Finish, Model No. 59202, accessed Sep. 21, 2017.

* cited by examiner

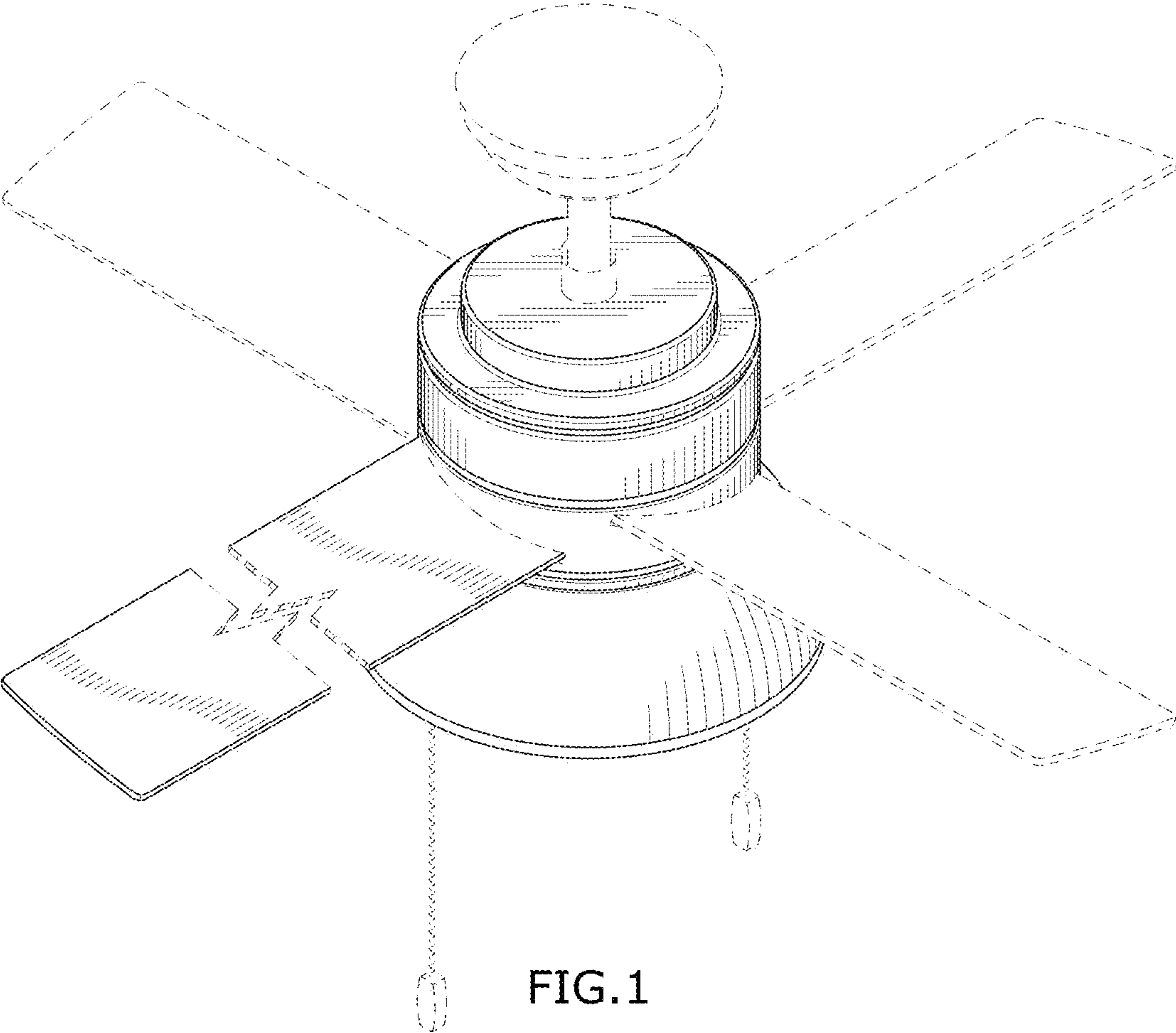
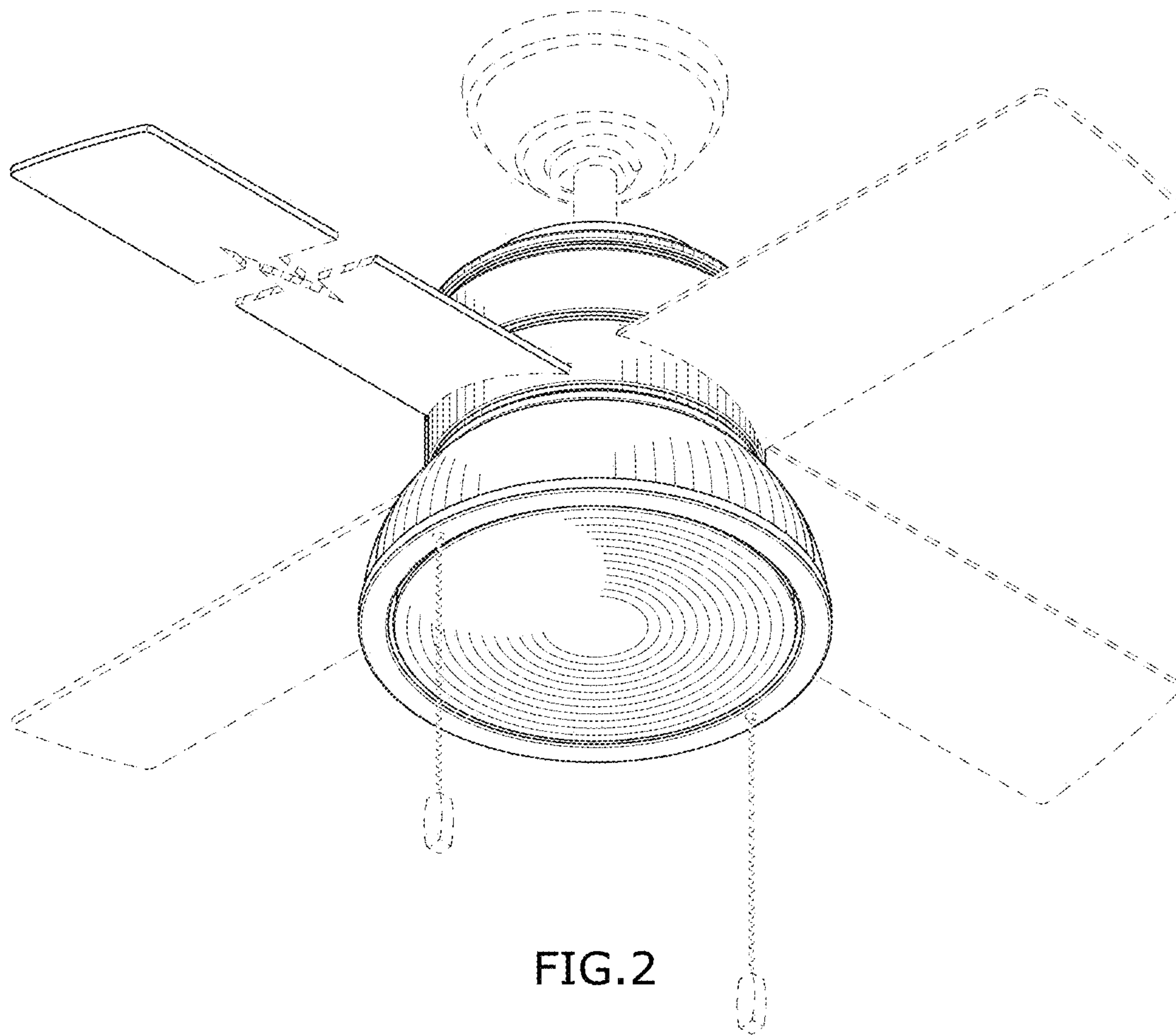


FIG. 1



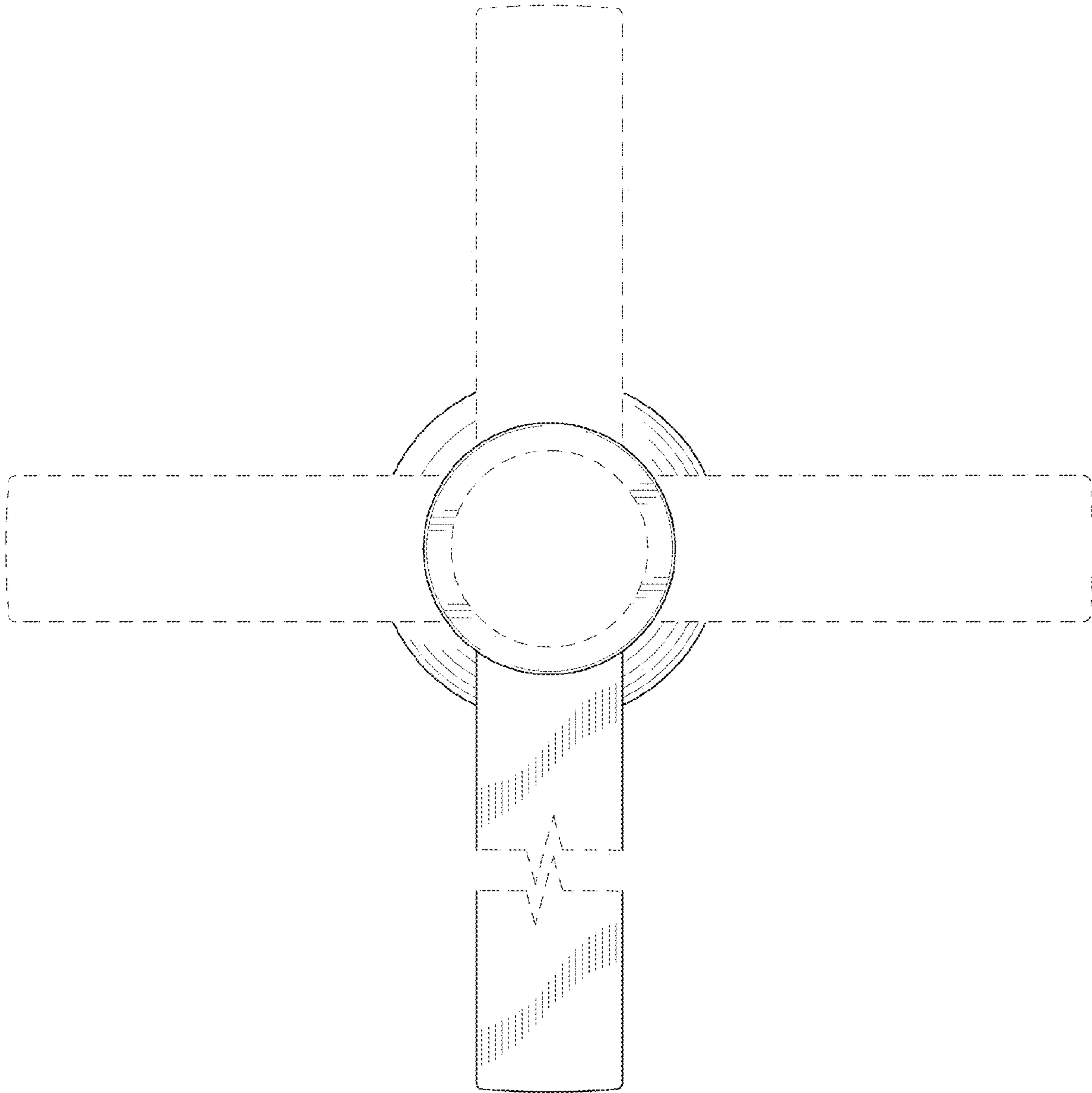


FIG.3

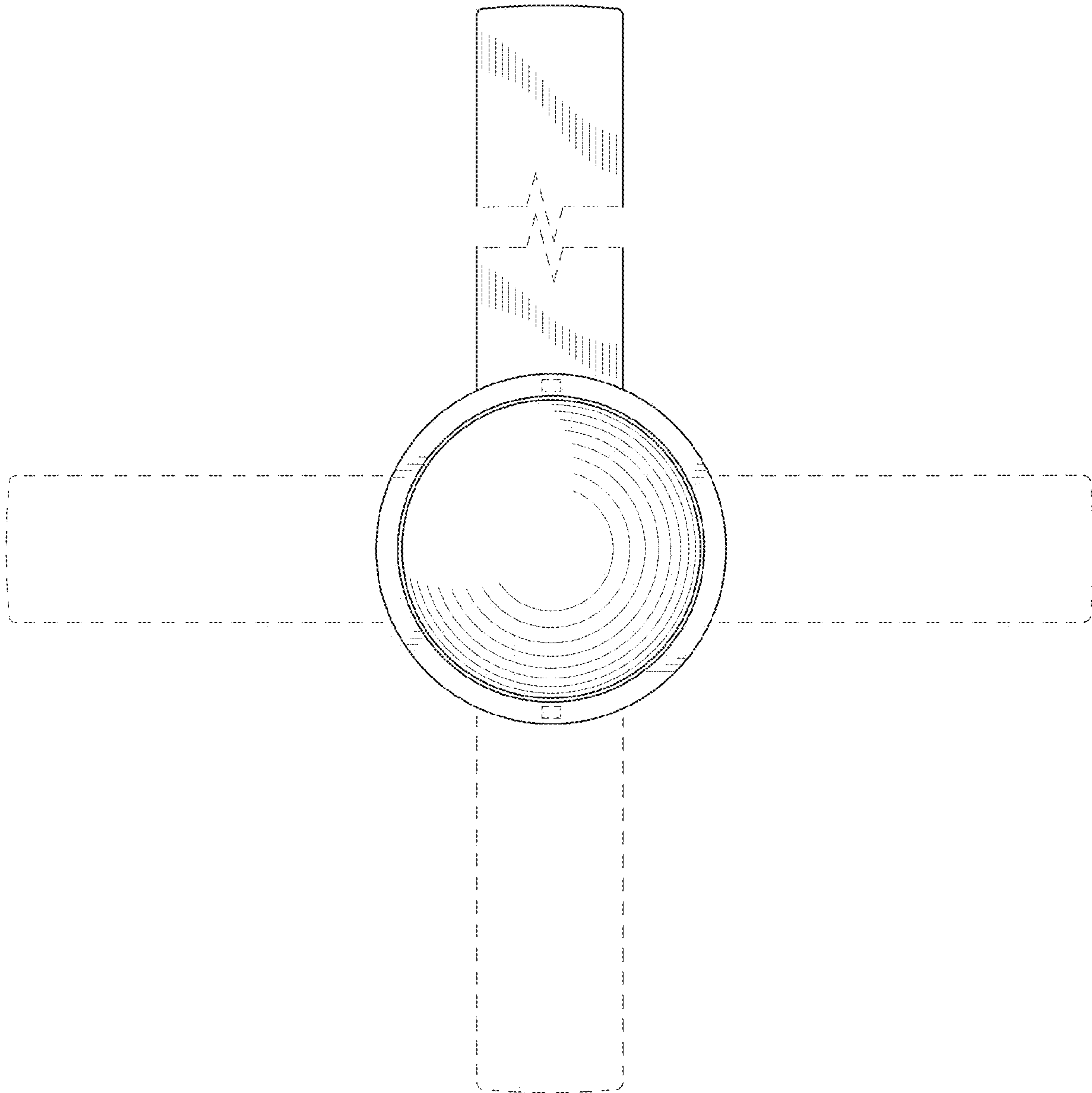


FIG.4

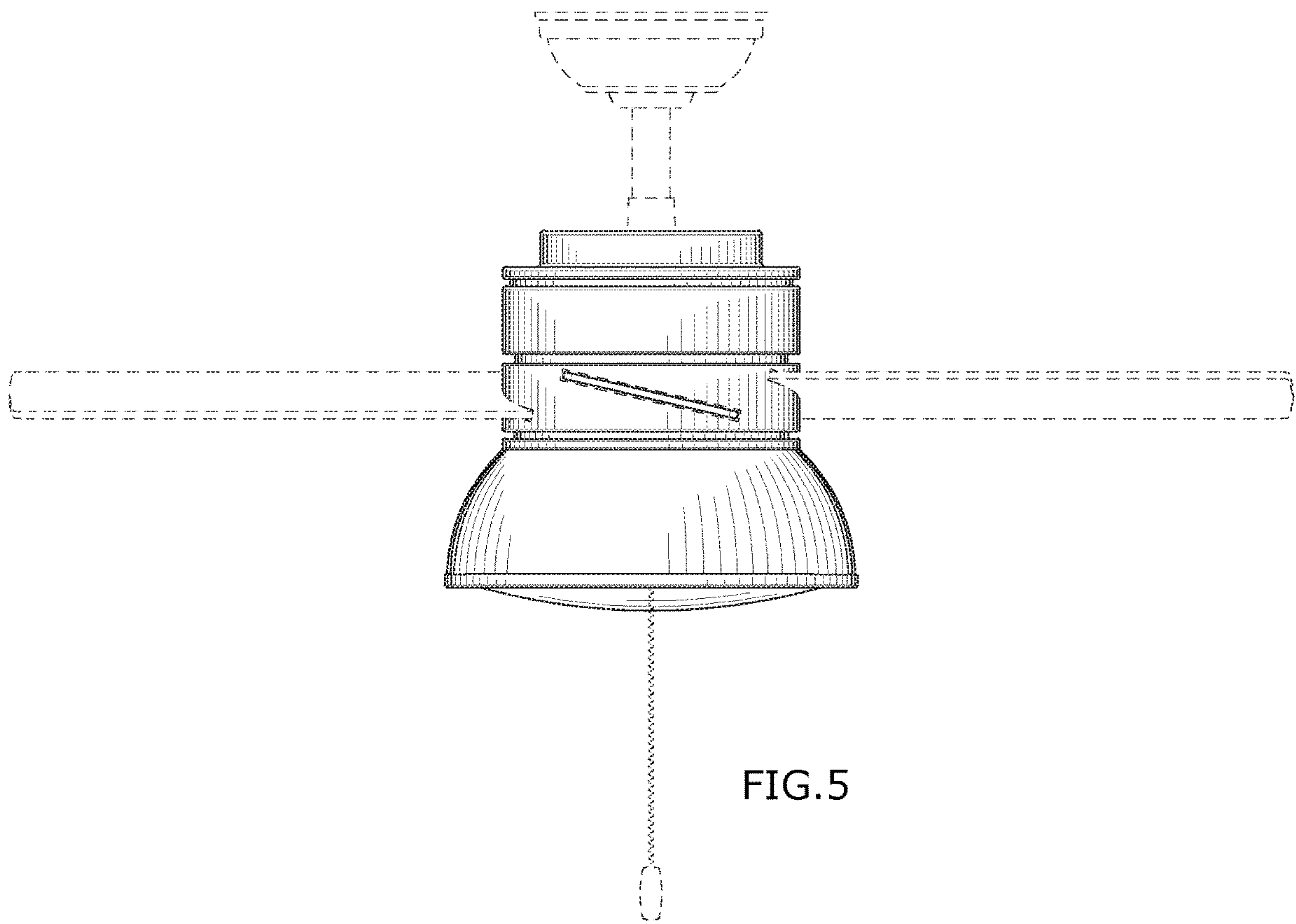


FIG. 5

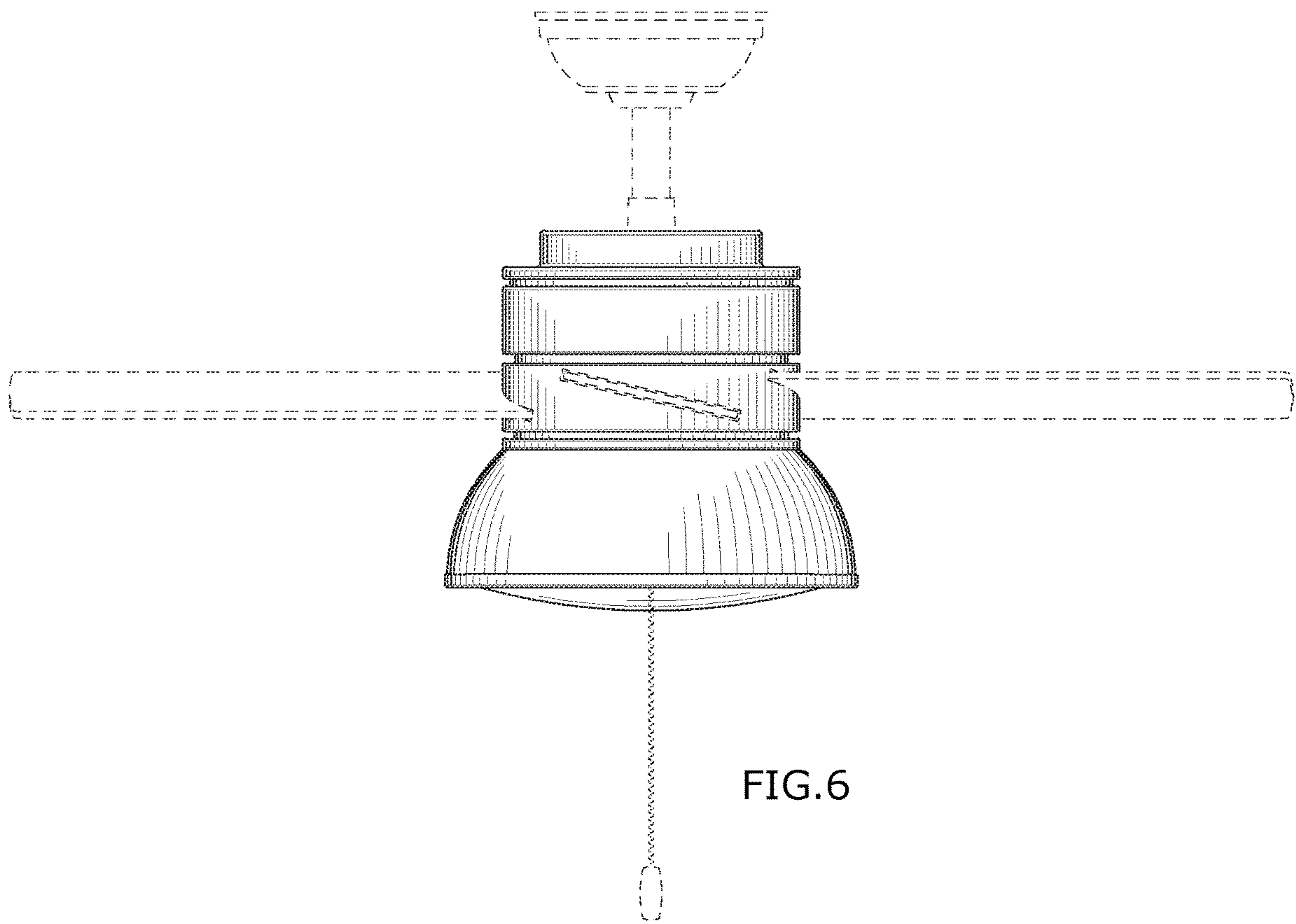


FIG.6

