



US00D888218S

(12) **United States Design Patent**
Wang

(10) **Patent No.:** **US D888,218 S**

(45) **Date of Patent:** **** Jun. 23, 2020**

(54) **ELECTRIC FAN**

(71) Applicant: **Zhiming Wang**, City of Industry, CA
(US)

(72) Inventor: **Zhiming Wang**, City of Industry, CA
(US)

(**) Term: **15 Years**

(21) Appl. No.: **29/634,378**

(22) Filed: **Jan. 21, 2018**

(51) **LOC (12) Cl.** **23-04**

(52) **U.S. Cl.**
USPC **D23/370**

(58) **Field of Classification Search**
USPC D23/314, 317, 324, 328, 332-337, 342,
D23/351, 352, 355, 356, 359, 362, 364,
D23/366, 370-376, 378, 379, 381-385,
D23/411-414
CPC F04D 25/08; F04D 29/403; F04D 29/522
See application file for complete search history.

(56) **References Cited**

U.S. PATENT DOCUMENTS

D276,012 S *	10/1984	Westcott	D6/301
D329,089 S	9/1992	Coup et al.		
D359,116 S *	6/1995	Marvin	D23/332
D392,735 S *	3/1998	Gonzales	D23/381
D397,192 S *	8/1998	Chiu	D23/328
D398,983 S	9/1998	Keller et al.		
D409,298 S *	5/1999	Litvin	D23/381
D421,114 S *	2/2000	Lozzio	D23/332
D444,222 S *	6/2001	Wilson, Jr.	D23/382
D459,460 S	6/2002	Melwani		
D537,516 S	2/2007	Ediger		
D539,402 S *	3/2007	Blateri	D23/336
D605,280 S *	12/2009	Chen	D23/382
D617,440 S *	6/2010	Ching	D23/382
D621,025 S *	8/2010	Peterson	D23/382
D673,256 S *	12/2012	Shapiro	D23/370

D685,459 S *	7/2013	Pan	D23/370
D688,368 S	8/2013	Ediger		
D688,781 S *	8/2013	Vallinan	D23/355
D691,256 S *	10/2013	Pan	D23/370
D710,487 S *	8/2014	Lin	D23/355
D752,201 S	3/2016	Herbst		
D760,370 S	6/2016	Herbst		
D817,473 S *	5/2018	Liu	D23/382
D845,465 S *	4/2019	Cui	D23/382
2013/0309111 A1 *	11/2013	Mizuno	F04D 25/08 417/423.14

OTHER PUBLICATIONS

Ozeri Brezza Oscillating 10" High Velocity Desk Fan, date first captured Oct. 15, 2015, site visited Oct. 22, 2019, retrieved from www.archive.org, <<https://web.archive.org/web/20151015050702/https://www.walmart.com/ip/Ozeri-Brezza-Oscillating-10-High-Velocity-Desk-Fan/37406672>>.*

(Continued)

Primary Examiner — Cathron C Brooks

Assistant Examiner — Sharon S Oum

(74) *Attorney, Agent, or Firm* — Scot Fagerland

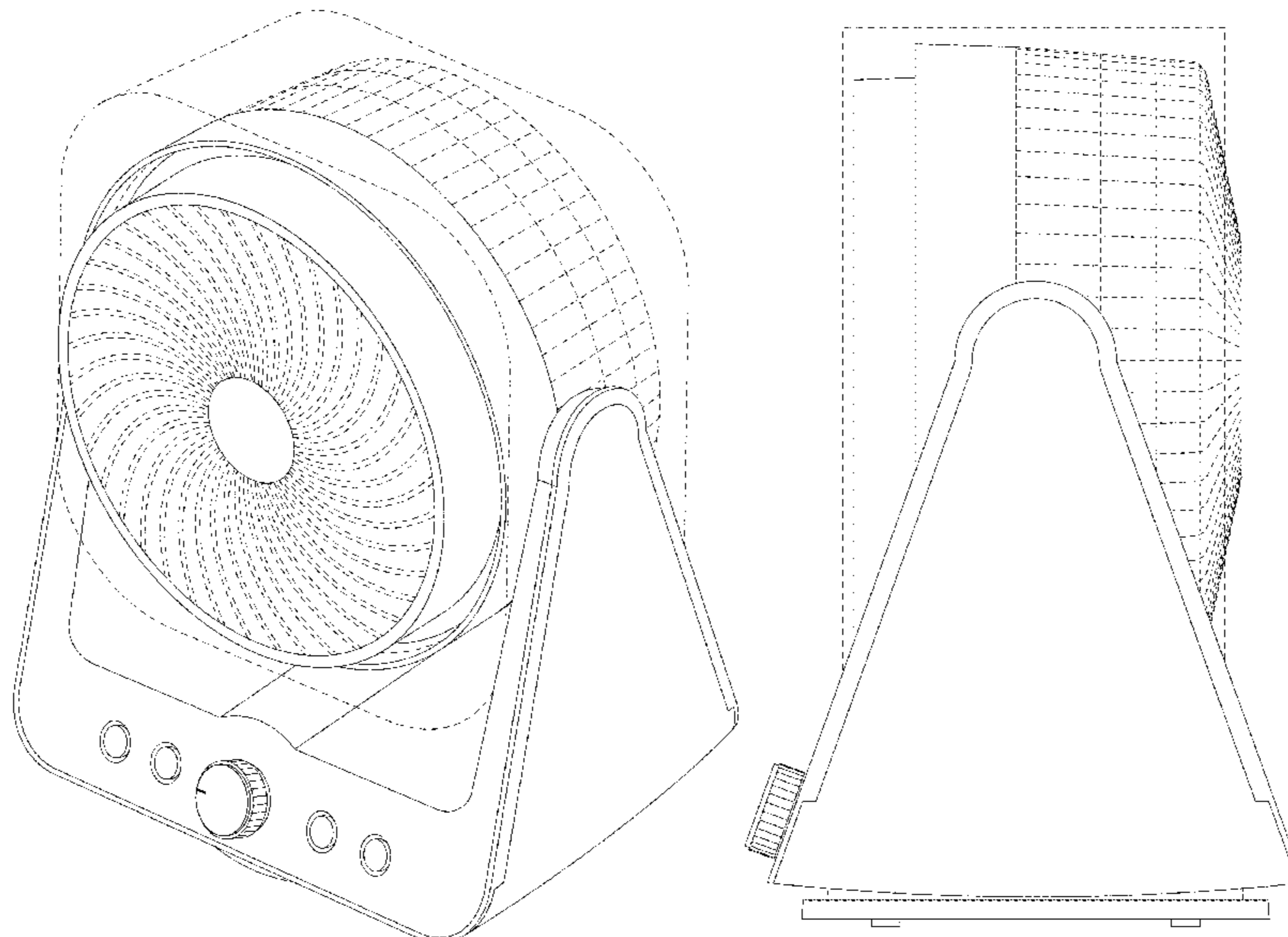
(57) **CLAIM**

The ornamental design for an electric fan, as shown and described.

DESCRIPTION

FIG. 1 is a perspective view.
FIG. 2 is a front view.
FIG. 3 is a rear view.
FIG. 4 is a left view, which is the mirror image of the right view.
FIG. 5 is a top view; and,
FIG. 6 is a bottom view.
In all figures, the dashed line representations are for the purpose of illustrating portions of the electric fan and are not part of the claimed design.

1 Claim, 6 Drawing Sheets



(56)

References Cited

OTHER PUBLICATIONS

Soleus Air Unveils a Next Level of Comfort Air Circulators, date published May 21, 2018, site visited Oct. 22, 2019, available from internet, <<https://www.prnewswire.com/news-releases/soleus-air-unveils-a-next-level-of-comfort-air-circulators-300651299.html>>.*

* cited by examiner

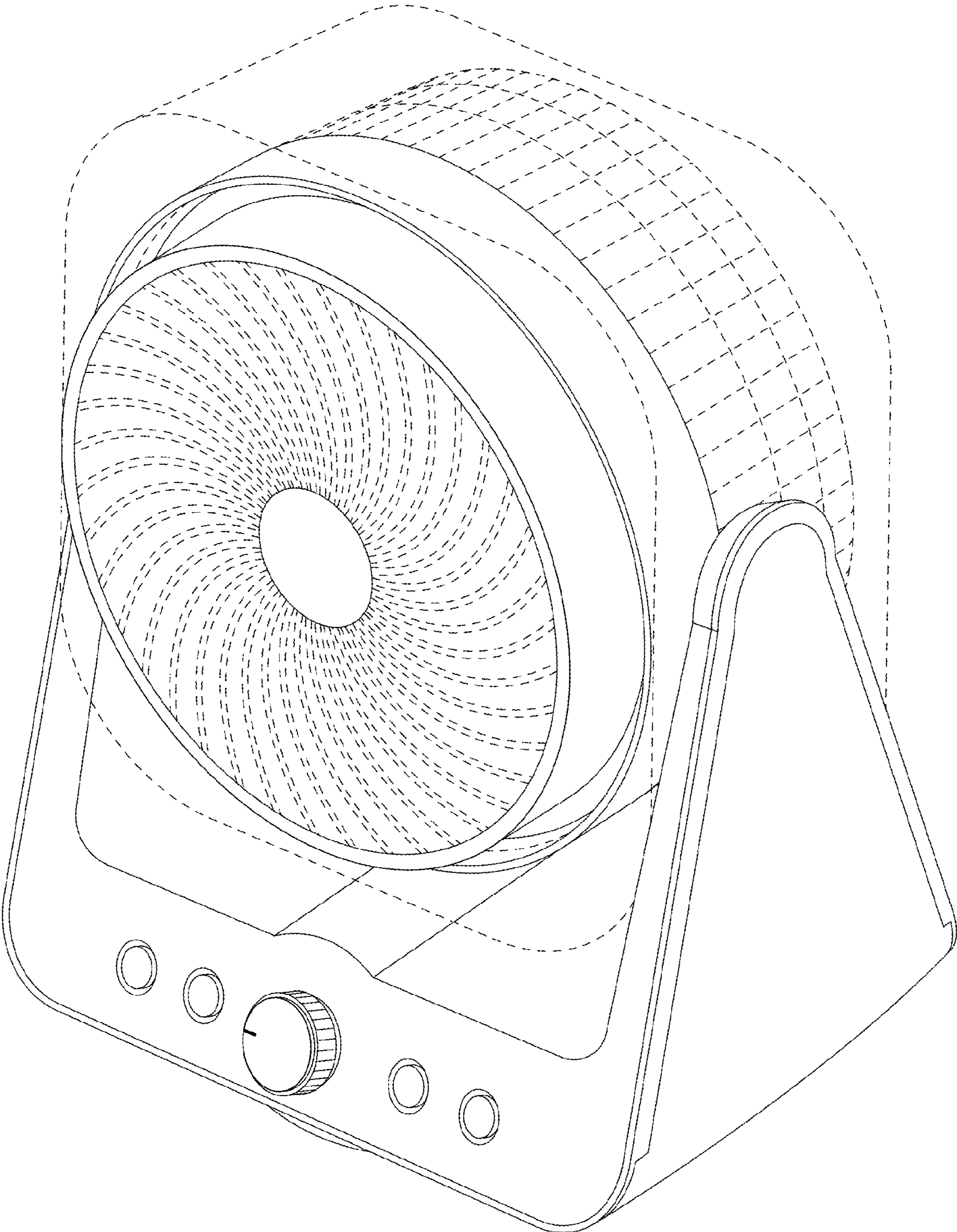


FIG. 1

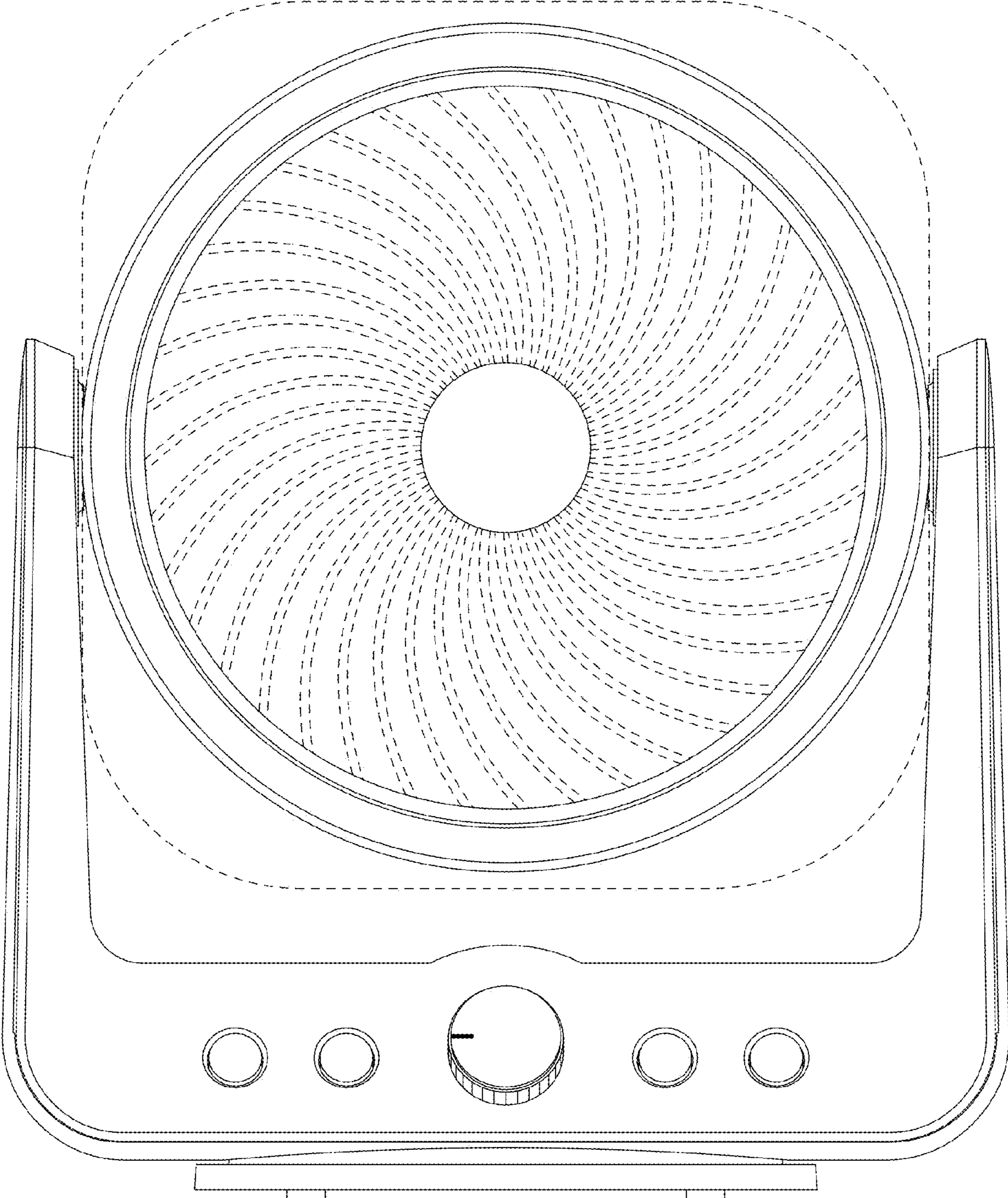


FIG. 2

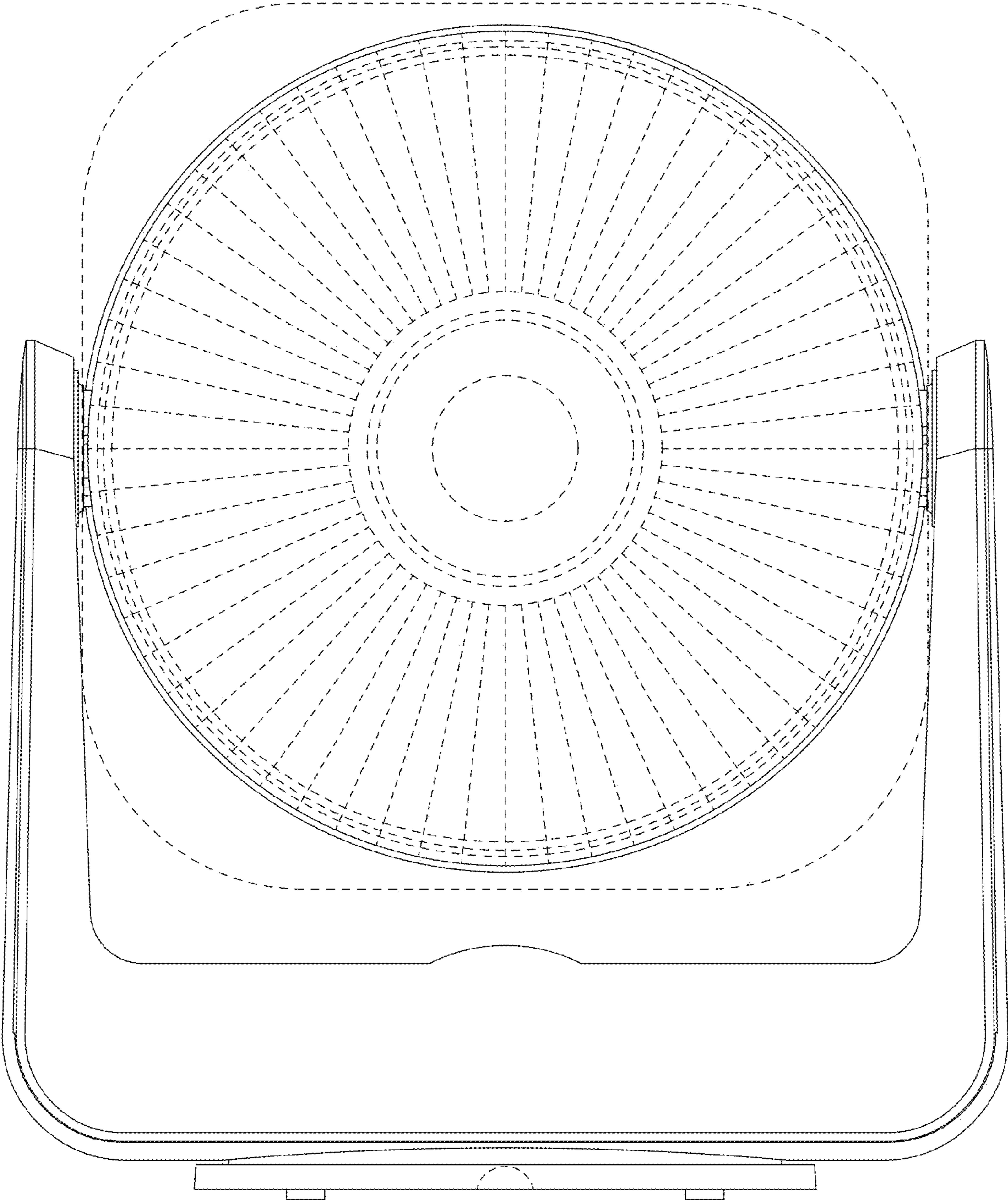


FIG. 3

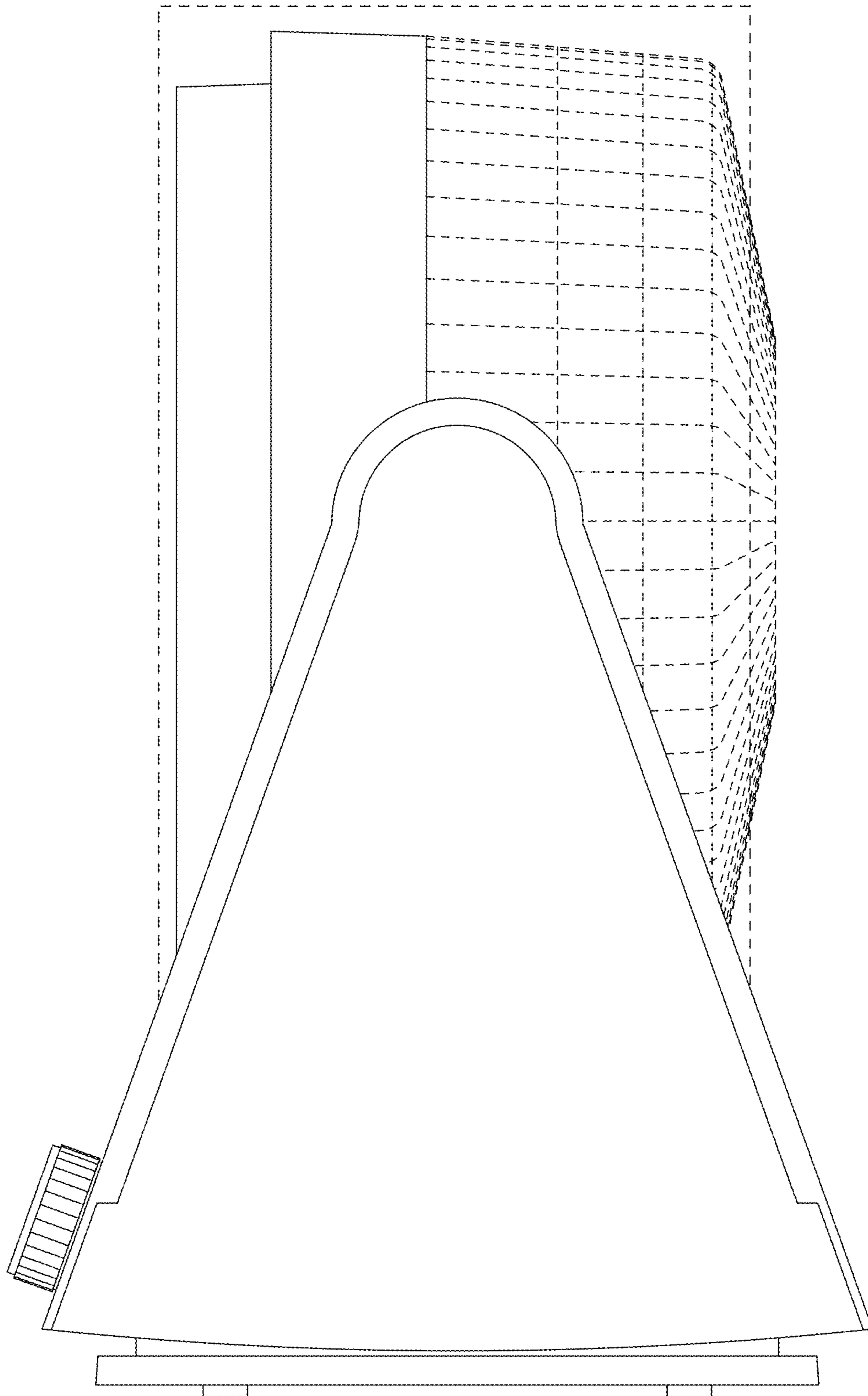


FIG. 4

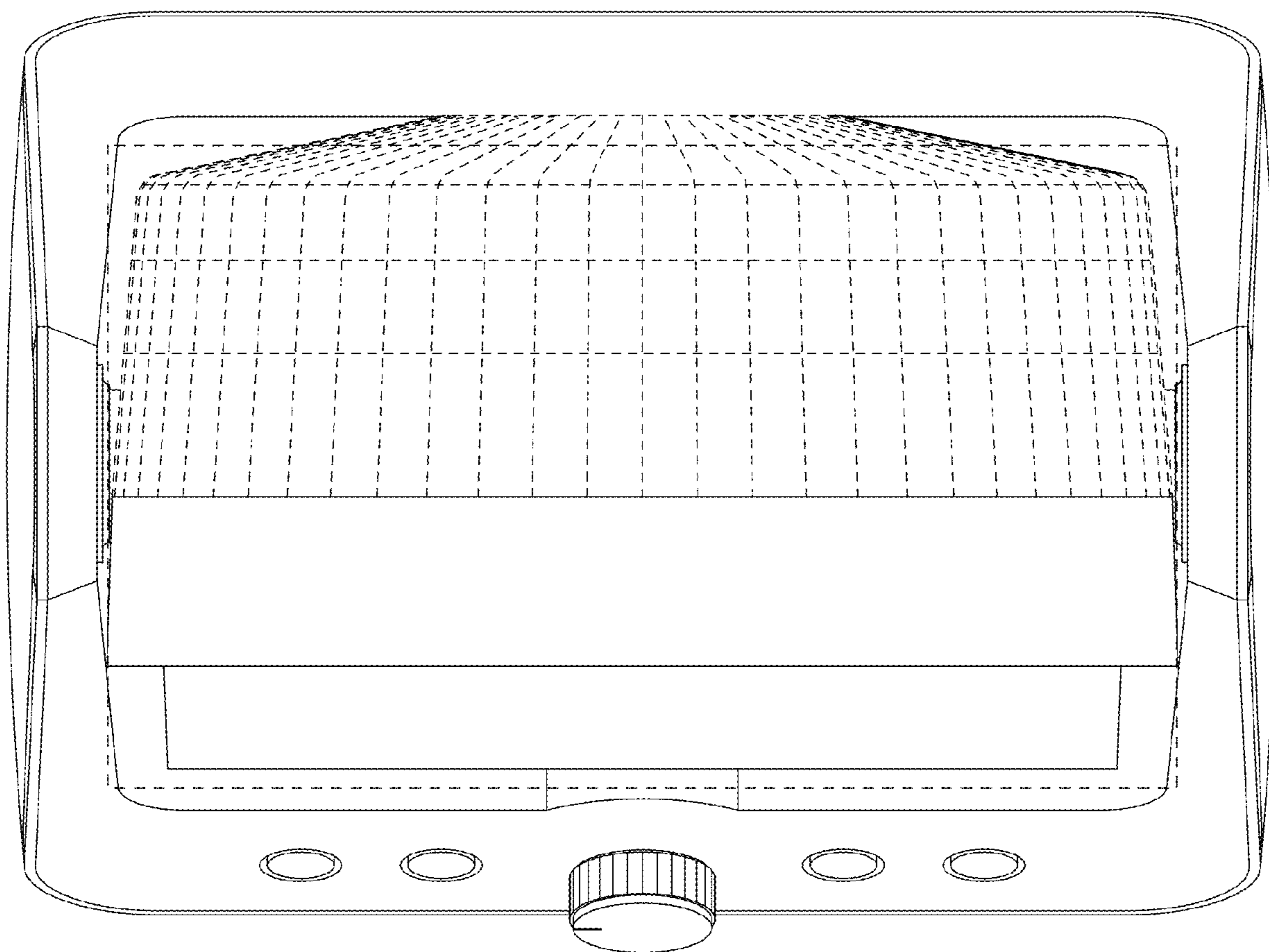


FIG. 5

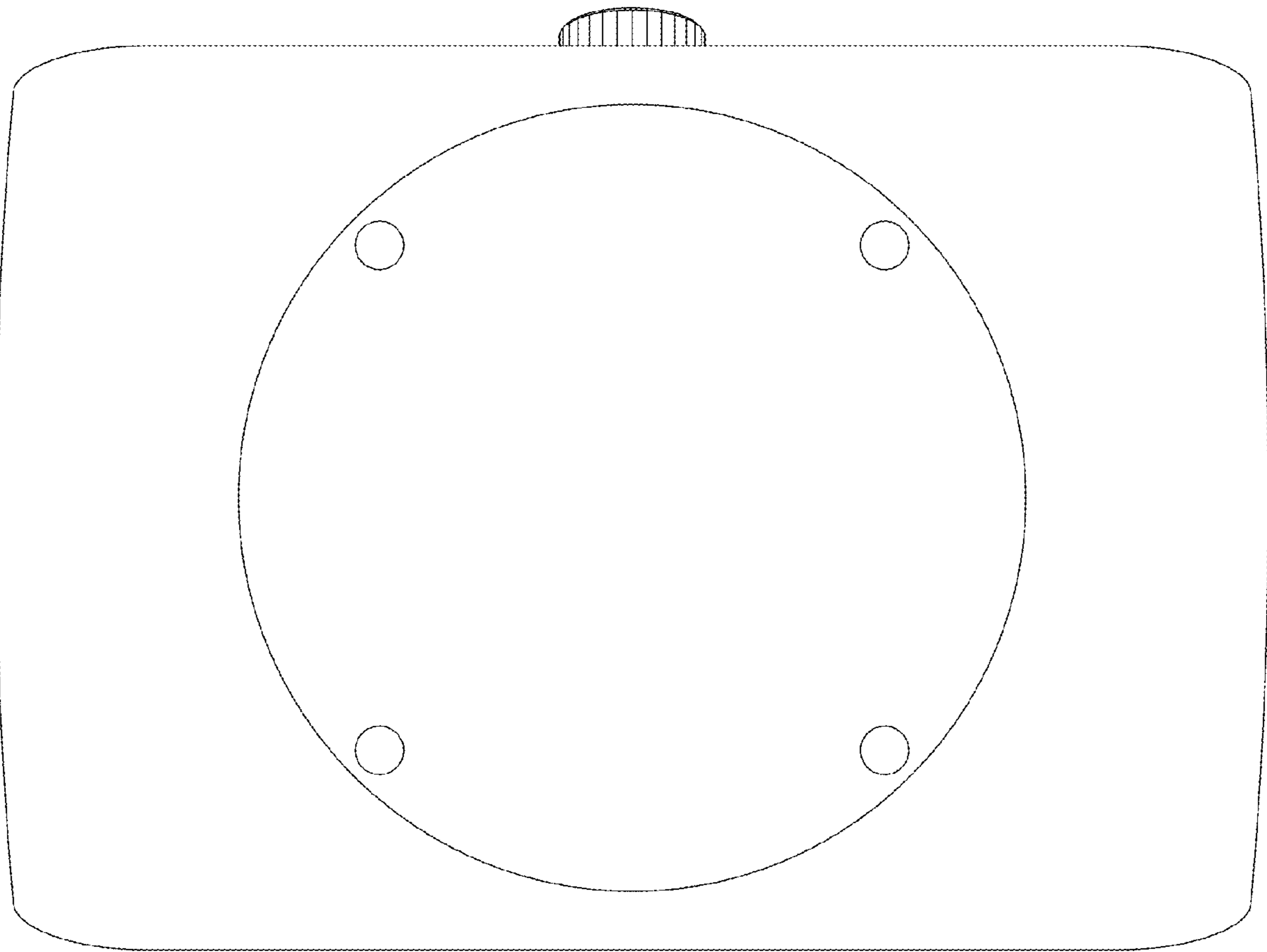


FIG. 6