



US00D888217S

(12) **United States Design Patent**
Vicondo Fontanella et al.

(10) **Patent No.:** **US D888,217 S**
(45) **Date of Patent:** **** Jun. 23, 2020**

(54) **DIFFUSING EVAPORATOR OF ACTIVE SUBSTANCES**

(71) Applicant: **ZOBELE HOLDING SPA**, Trento (IT)

(72) Inventors: **Juan Manuel Vicondo Fontanella**,
Barcelona (ES); **Joaquim Llorente**
Alonso, Barcelona (ES)

(73) Assignee: **ZOBELE HOLDING SPA** (IT)

(**) Term: **15 Years**

(21) Appl. No.: **29/671,256**

(22) Filed: **Nov. 26, 2018**

(30) **Foreign Application Priority Data**

May 24, 2018 (ES) 0528368

(51) **LOC (12) Cl.** **23-04**

(52) **U.S. Cl.**
USPC **D23/366**

(58) **Field of Classification Search**
USPC D23/208, 355–369
CPC A61L 9/02; A61L 9/03; A61L 9/12; A61L
9/035; A61L 9/125
See application file for complete search history.

(56) **References Cited**

U.S. PATENT DOCUMENTS

D77,891 S * 3/1929 Conley D23/366
D161,564 S * 1/1951 Zimmer D24/232

D240,829 S * 8/1976 Jones et al. D9/689
D317,044 S * 5/1991 Thomson D23/367
D370,704 S * 6/1996 Oberhoff D21/684
D692,717 S * 11/2013 Lai D7/354
D830,004 S * 10/2018 Ortega D30/108
D847,964 S * 5/2019 Blakely D23/366
D865,934 S * 11/2019 Long D23/366
2018/0214593 A1 * 8/2018 Breen A61L 9/12

* cited by examiner

Primary Examiner — Sheryl Lane

Assistant Examiner — Calvin E Vansant

(74) *Attorney, Agent, or Firm* — Ostrolenk Faber LLP

(57) **CLAIM**

The ornamental design for a diffusing evaporator of active substances, as shown and described.

DESCRIPTION

FIG. 1 is a front view illustration of a diffusing evaporator of active substances according to an aspect of the new design;

FIG. 2 is a front, top, and right side perspective view illustration thereof;

FIG. 3 is a side view illustration thereof;

FIG. 4 is a top view illustration thereof;

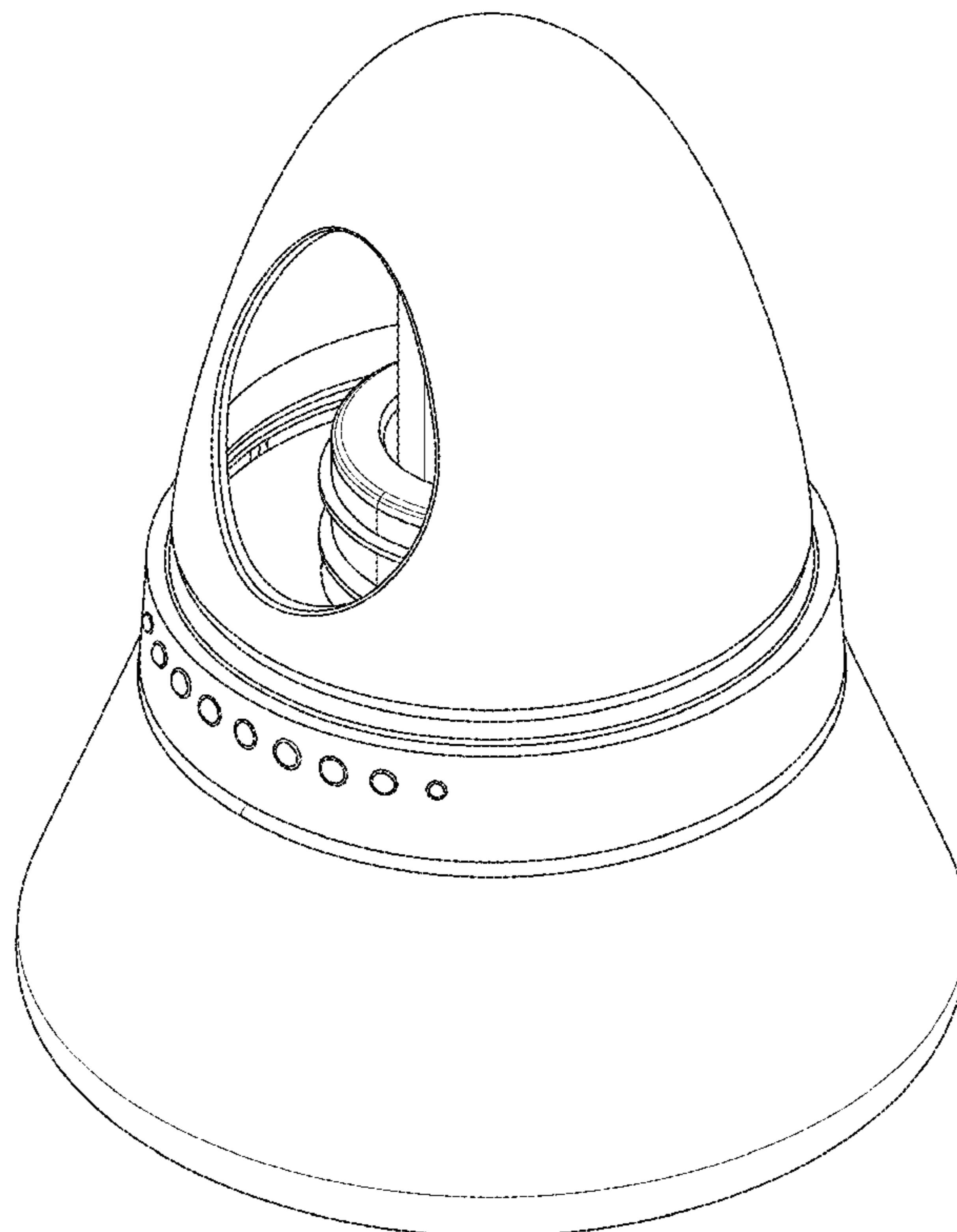
FIG. 5 is a rear view illustration thereof; and,

FIG. 6 is a bottom view illustration thereof.

The remaining side is a mirror image of the side illustrated in FIG. 3.

The broken lines depict portions of the diffusing evaporator of active substances that form no part of the claimed design.

1 Claim, 6 Drawing Sheets



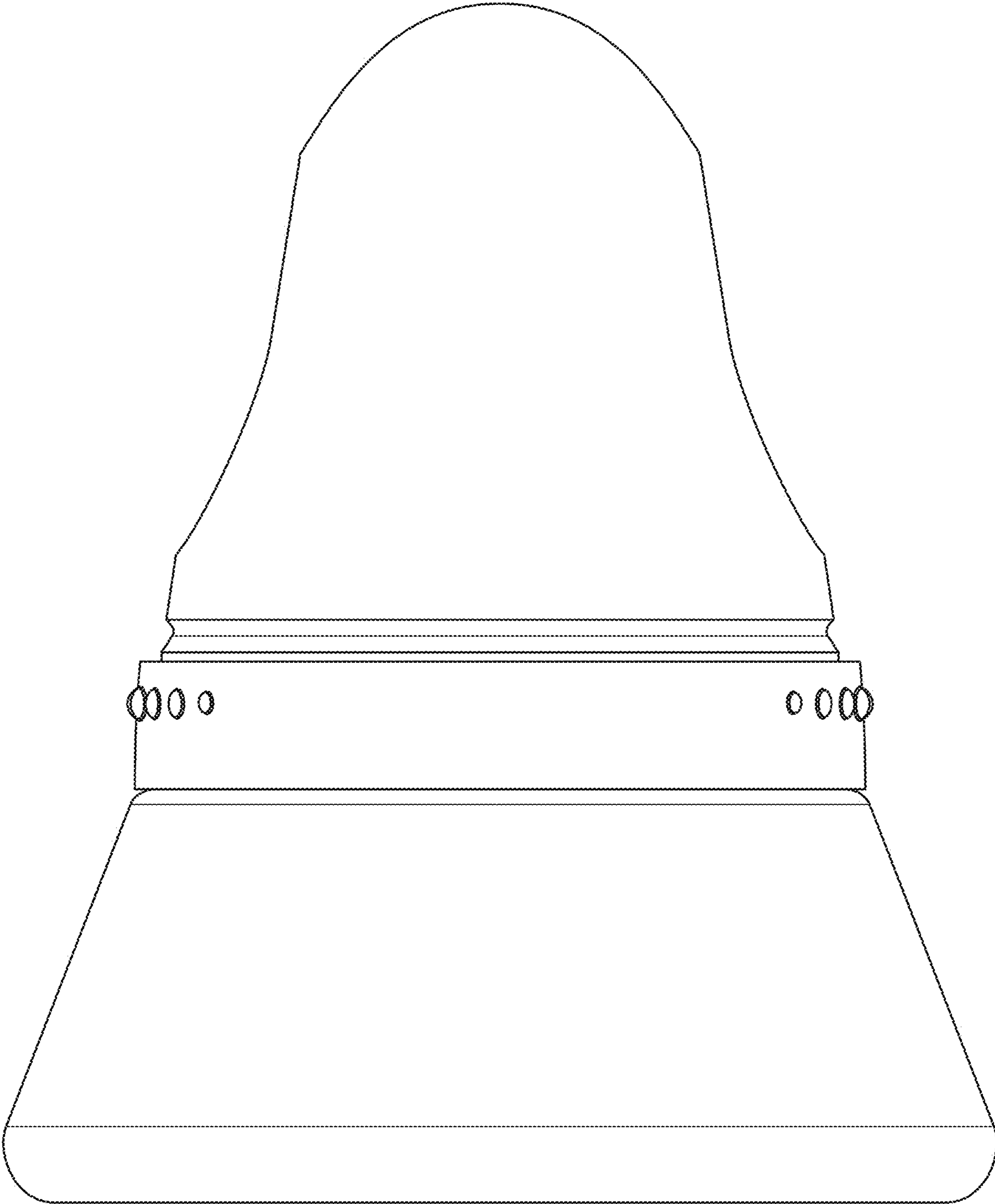


FIG. 1

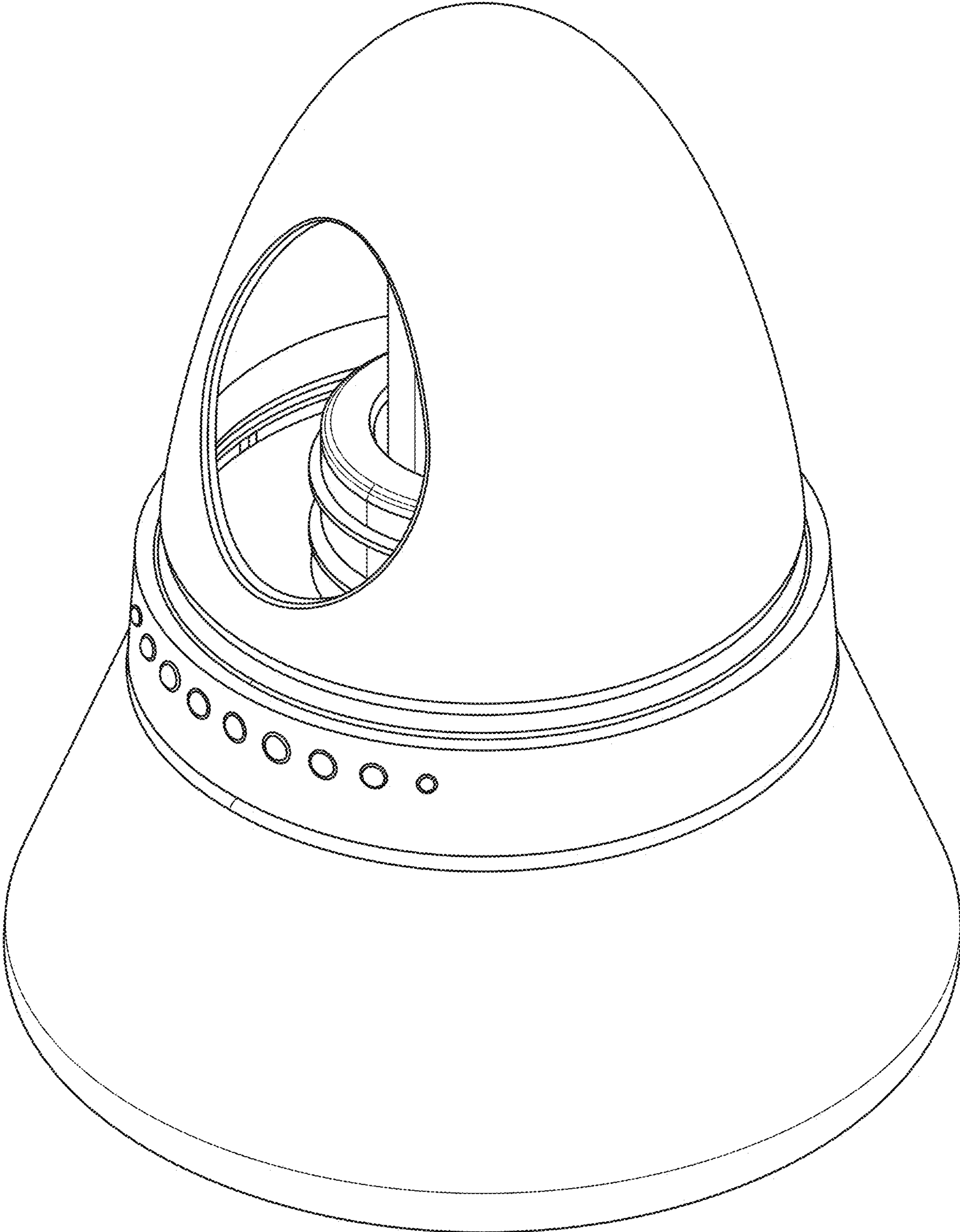


FIG. 2

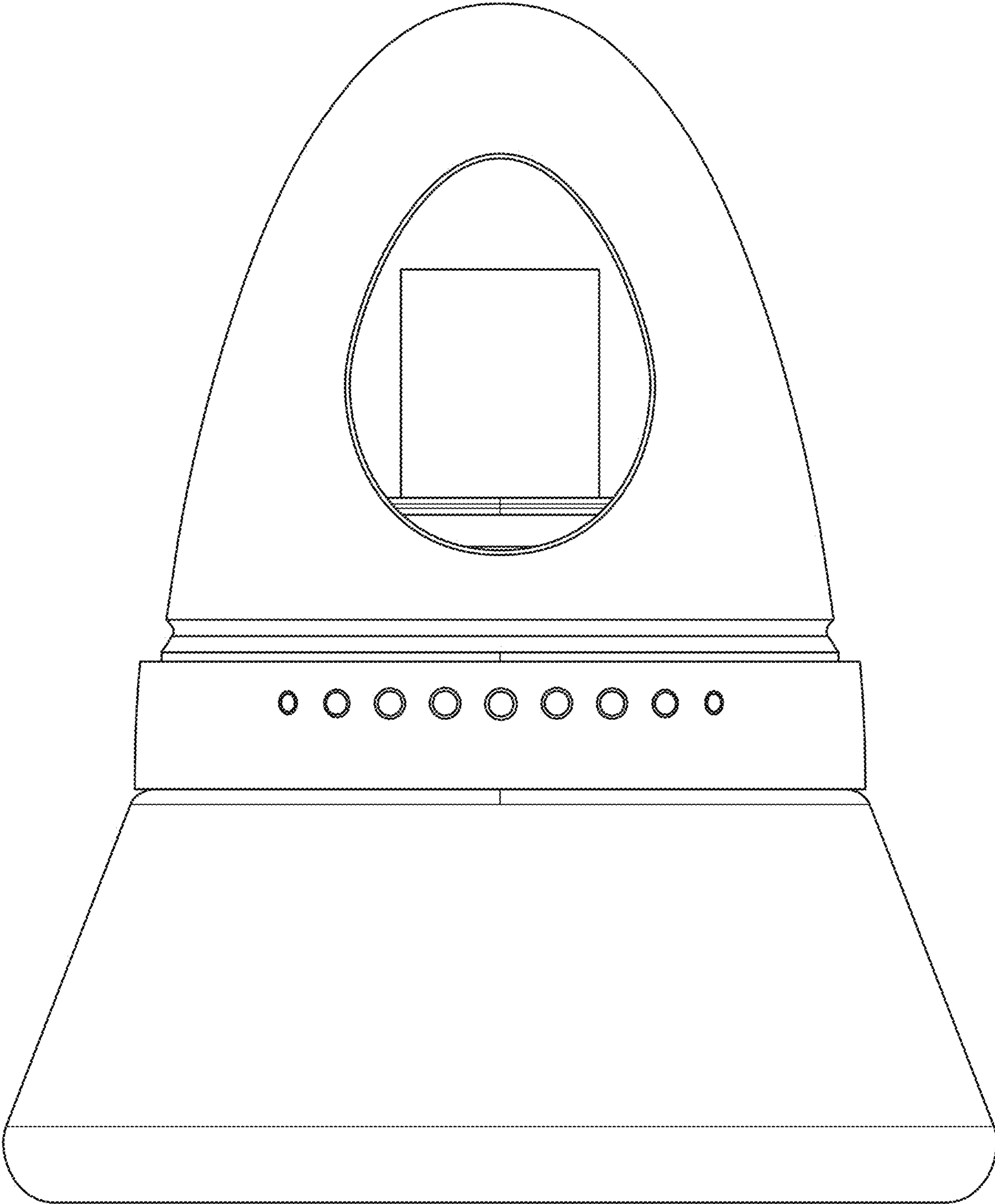


FIG. 3

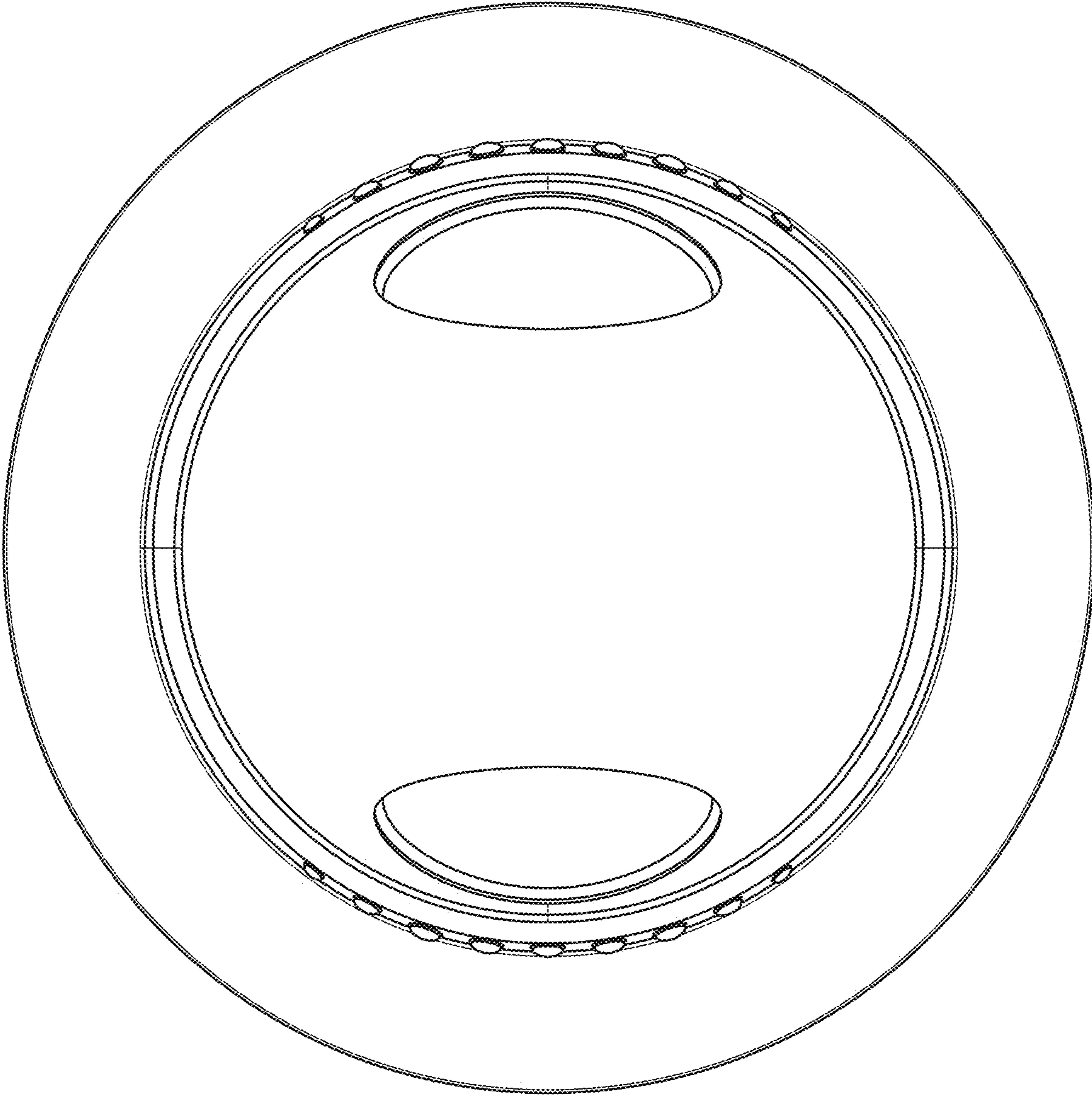


FIG. 4

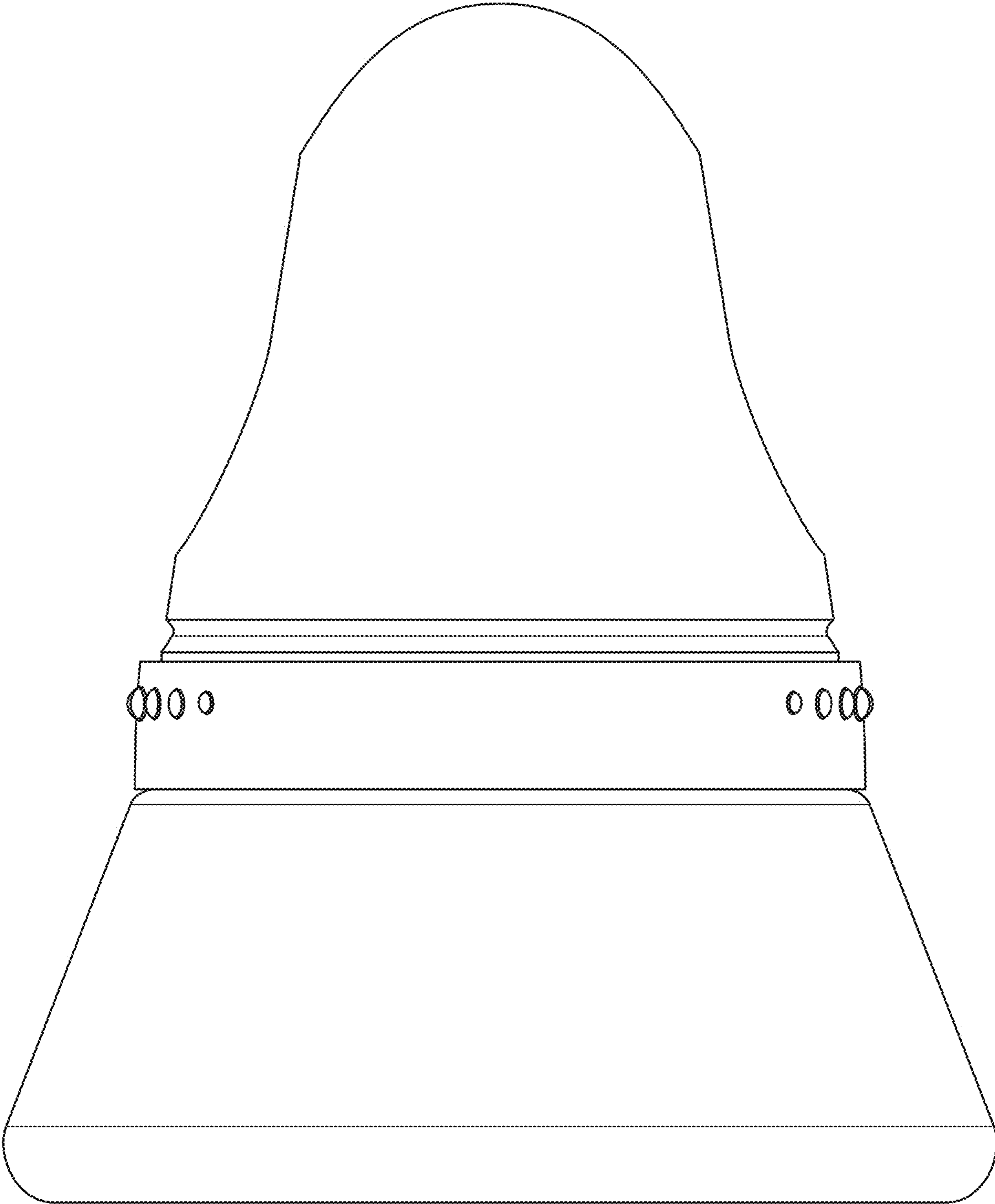


FIG. 5

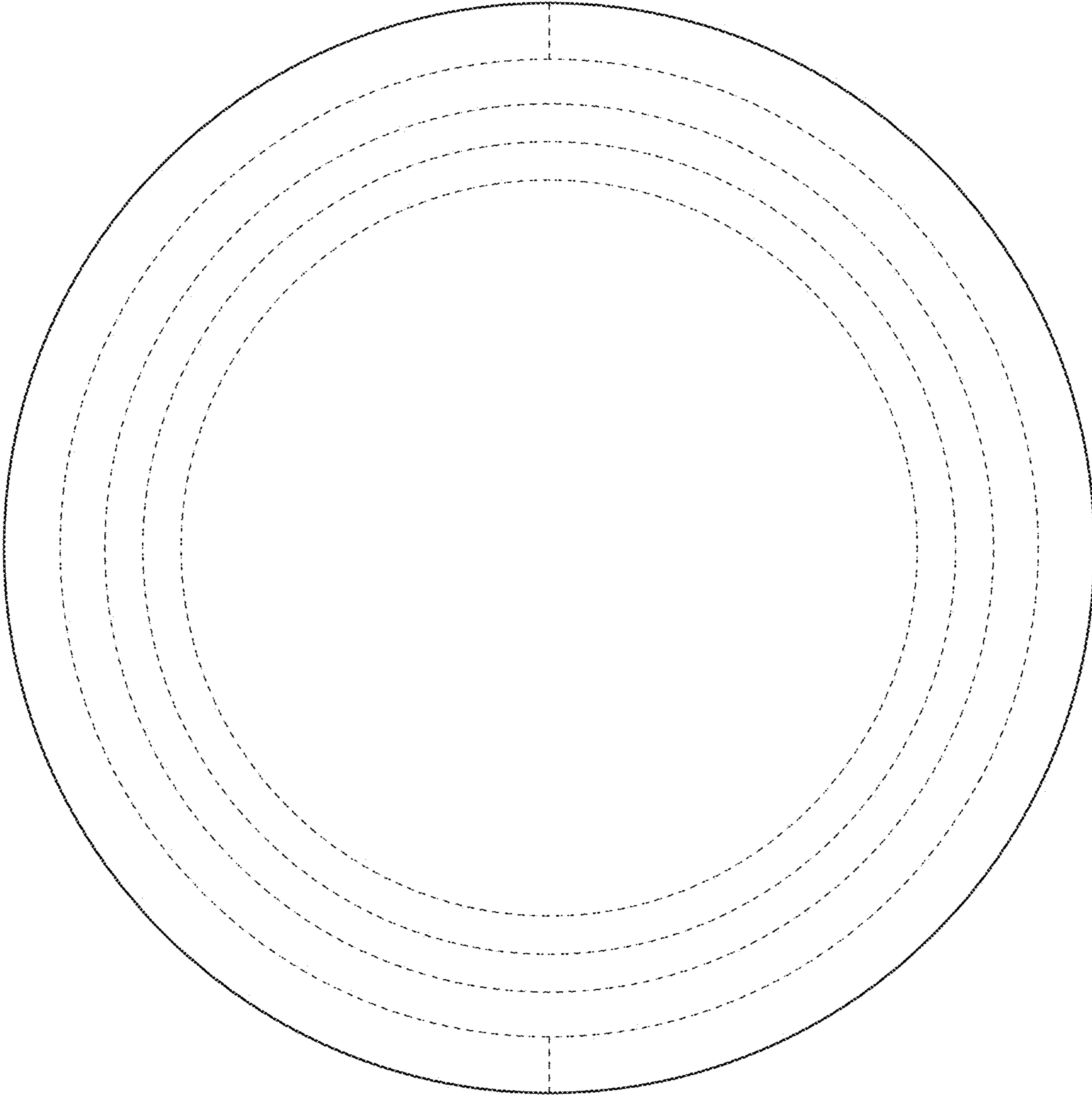


FIG. 6