



US00D888216S

(12) **United States Design Patent**  
**Wheeler et al.**

(10) **Patent No.: US D888,216 S**  
(45) **Date of Patent: \*\* Jun. 23, 2020**

(54) **AIR TREATMENT SYSTEM FILTER**

(71) Applicant: **Access Business Group International LLC**, Ada, MI (US)

(72) Inventors: **Rebecca C. Wheeler**, Wyoming, MI (US); **Brian S. Beals**, Grand Rapids, MI (US); **Patricia W. Tue**, Grand Rapids, MI (US)

(73) Assignee: **Access Business Group International LLC**, Ada, MI (US)

(\*\*) Term: **15 Years**

(21) Appl. No.: **29/670,843**

(22) Filed: **Nov. 20, 2018**

(51) **LOC (12) Cl. .... 23-04**

(52) **U.S. Cl.**  
USPC ..... **D23/365**

(58) **Field of Classification Search**  
USPC ..... D23/209, 358, 355, 364, 365, 386-393  
CPC ..... F24F 13/0218; F24F 13/06; F24F 13/062;  
F24F 2013/0608; F24F 2221/14; B64D  
33/02; B64D 2033/0246; F02C 7/05  
See application file for complete search history.

(56) **References Cited**

**U.S. PATENT DOCUMENTS**

D538,418 S *	3/2007	Pippel .....	D23/209
D544,949 S *	6/2007	Winters .....	D23/365
D605,274 S *	12/2009	Kawano .....	D23/365
D738,998 S *	9/2015	Laver .....	D23/365
D778,419 S *	2/2017	Poindexter .....	D23/365
D806,847 S *	1/2018	Kim .....	D23/364
D824,505 S *	7/2018	Mork .....	B01D 46/0005 D23/365
D831,157 S *	10/2018	Kronk .....	B01D 53/02 D23/209
D831,182 S *	10/2018	Gregerson .....	D23/365

D858,731 S *	9/2019	Hyon .....	D23/365
2003/0230062 A1 *	12/2003	Kubokawa .....	B01D 46/0005 55/497
2007/0012185 A1 *	1/2007	Taylor .....	B01D 53/02 95/90

**OTHER PUBLICATIONS**

DirectIndustry, Expansion Electronics Air Filter Panel for Air Treatment Units, undated online product page, retrieved Feb. 27, 2020 from <URL:https://www.directindustry.com/prod/expansion-electronic/product-69531-2191479.html> (Year: 2020).\*

\* cited by examiner

*Primary Examiner* — Sheryl Lane

*Assistant Examiner* — Calvin E Vansant

(74) *Attorney, Agent, or Firm* — Altacor Inc.

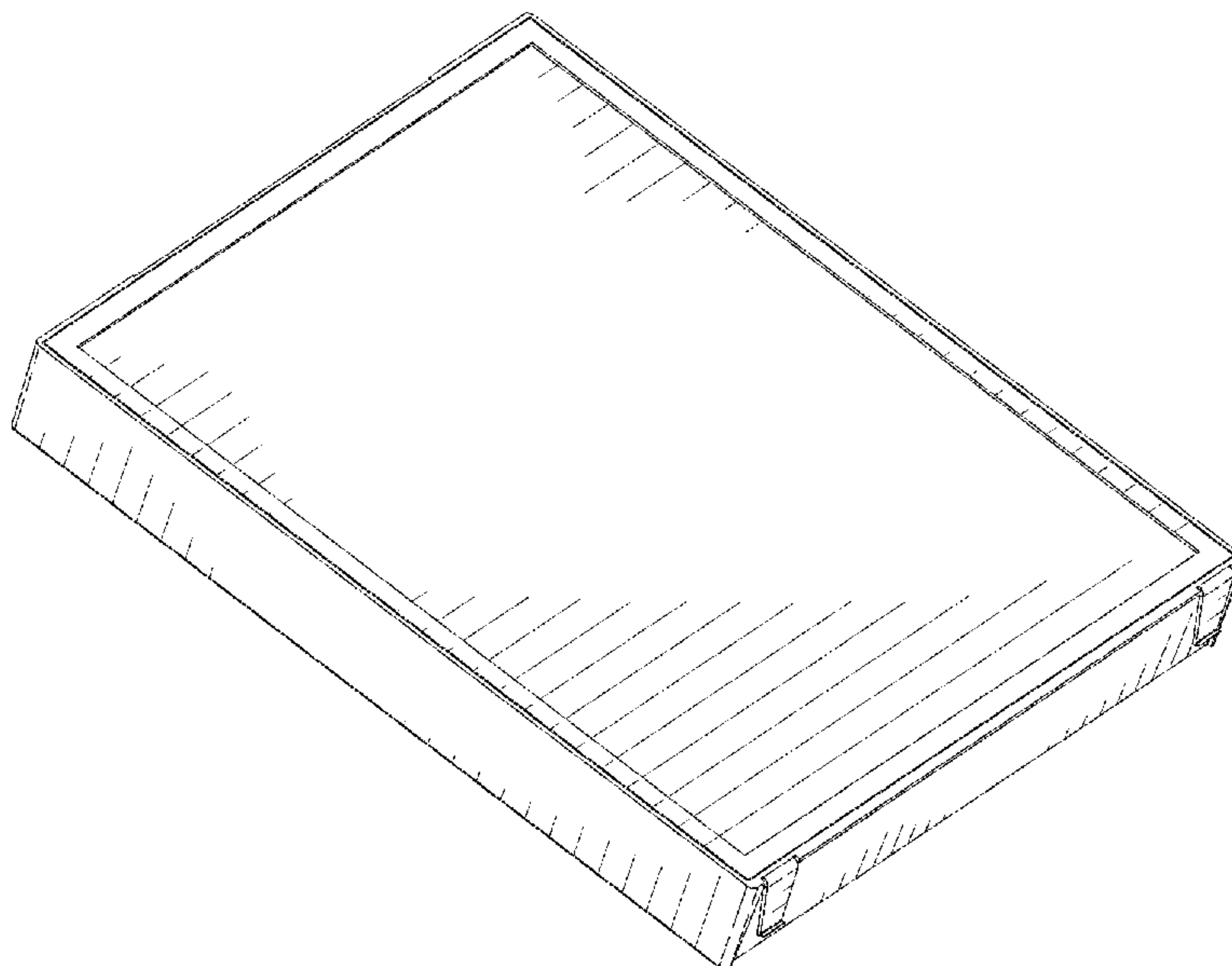
(57) **CLAIM**

The ornamental design for an air treatment system filter, as shown and described.

**DESCRIPTION**

FIG. 1 is a perspective view of the air treatment system filter embodying the new design;  
FIG. 2 is a front view thereof;  
FIG. 3 is a rear view thereof;  
FIG. 4 is a top view thereof;  
FIG. 5 is a bottom view thereof;  
FIG. 6 is a left-side view thereof; and,  
FIG. 7 is a right-side view thereof.  
FIGS. 1-7 may show features of the air treatment system filter in broken lines. The broken lines depict environment and do not form any part of the claimed design, the broken lines immediately adjacent the solid-line portions of the design form the boundary of the design and form no part of the claimed design.

**1 Claim, 3 Drawing Sheets**



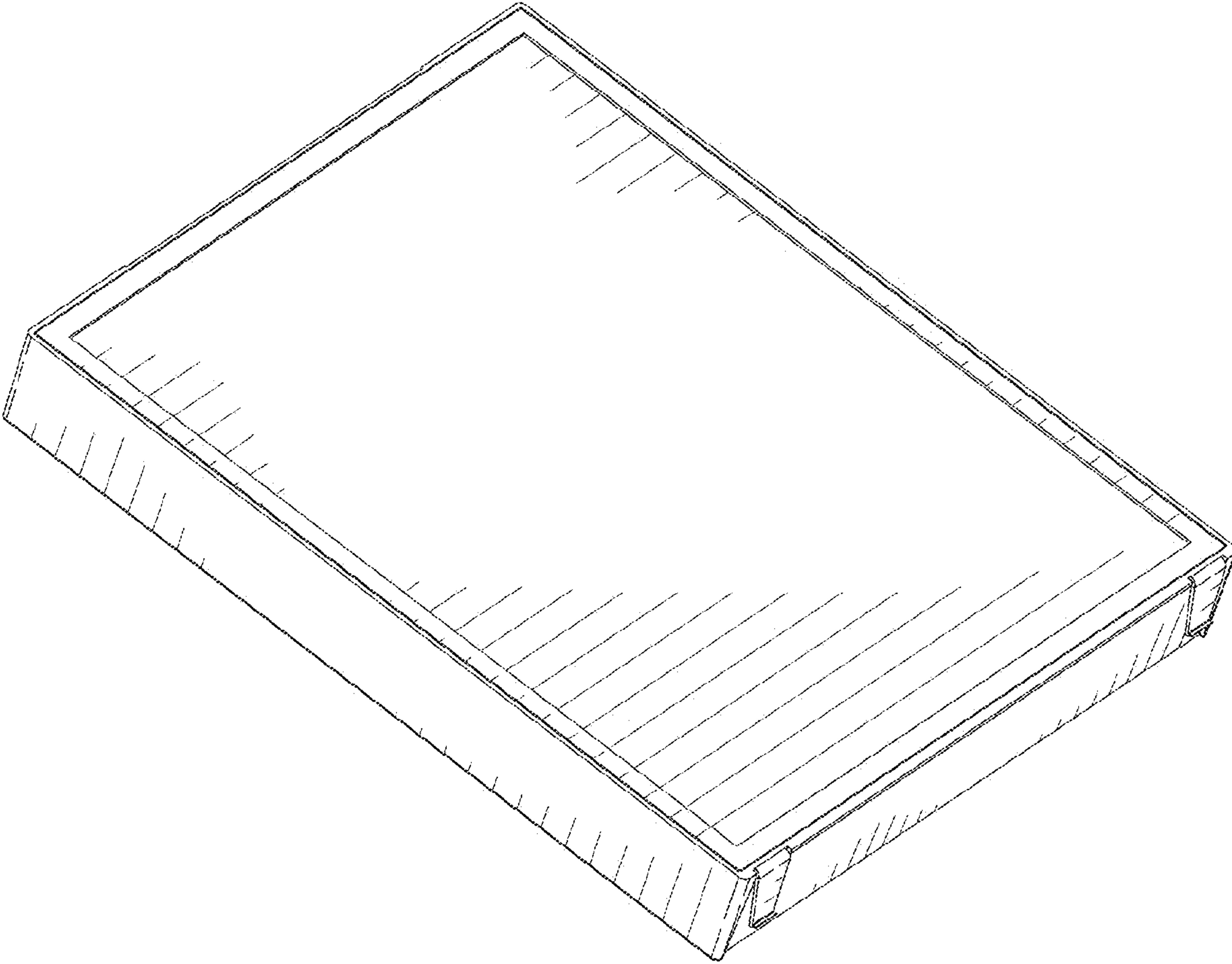


FIG. 1

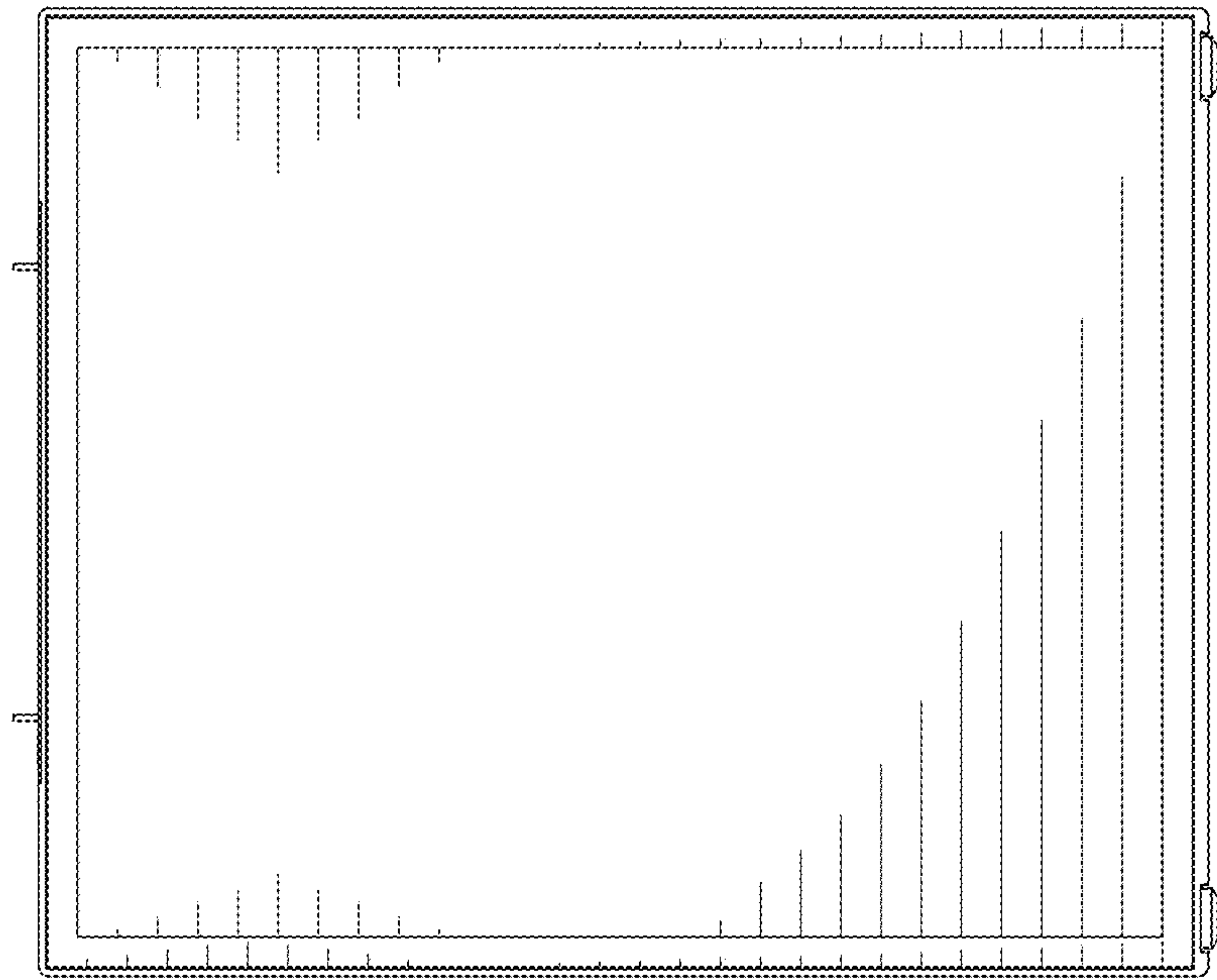


FIG. 2

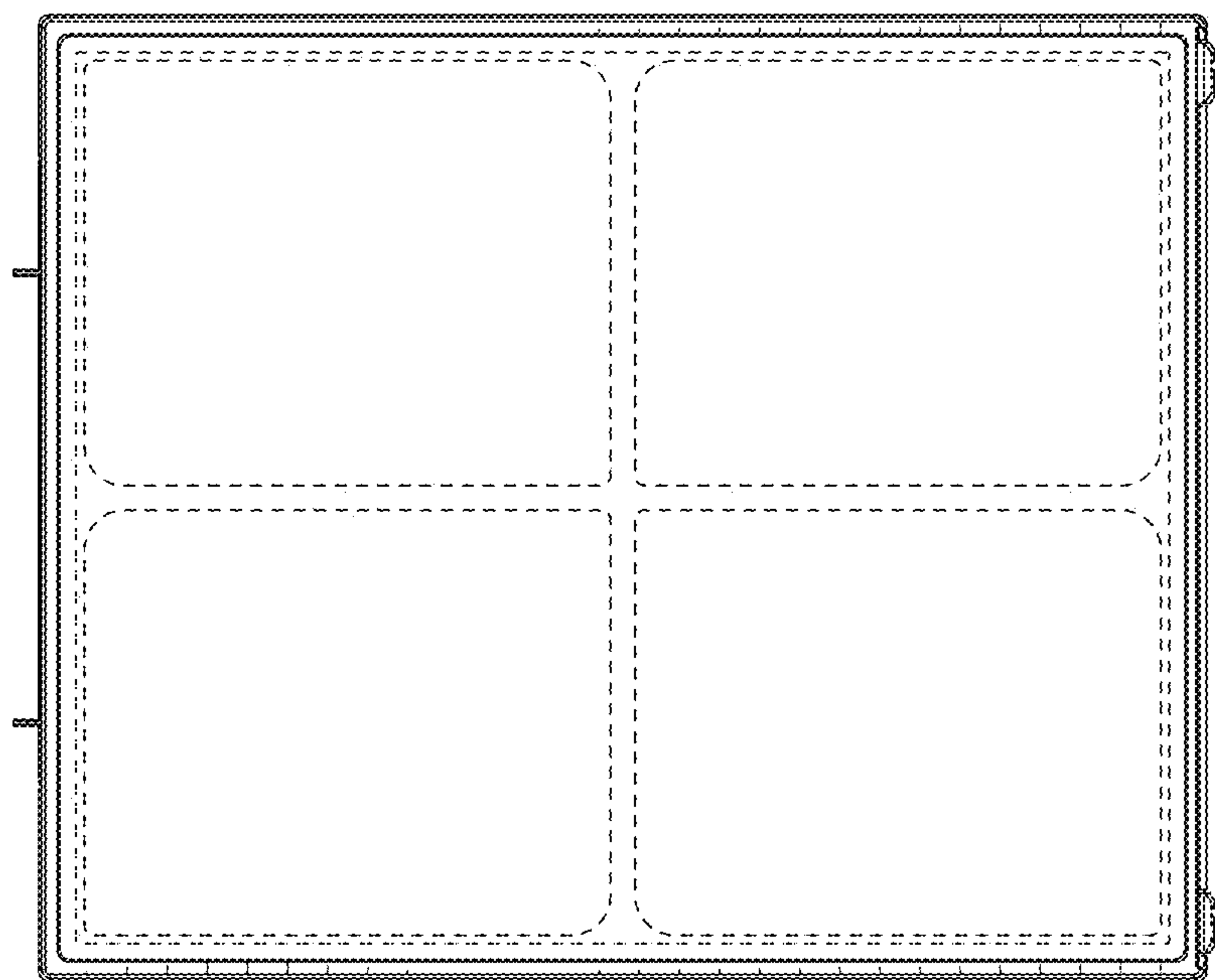


FIG. 3

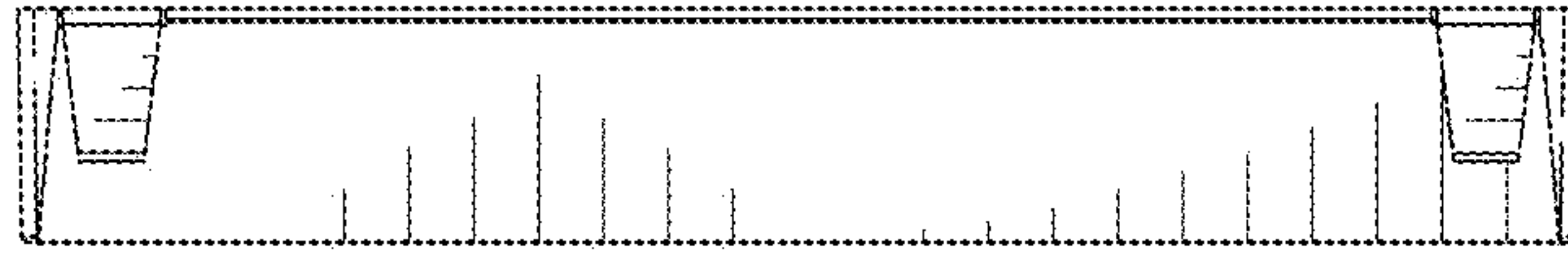


FIG. 4

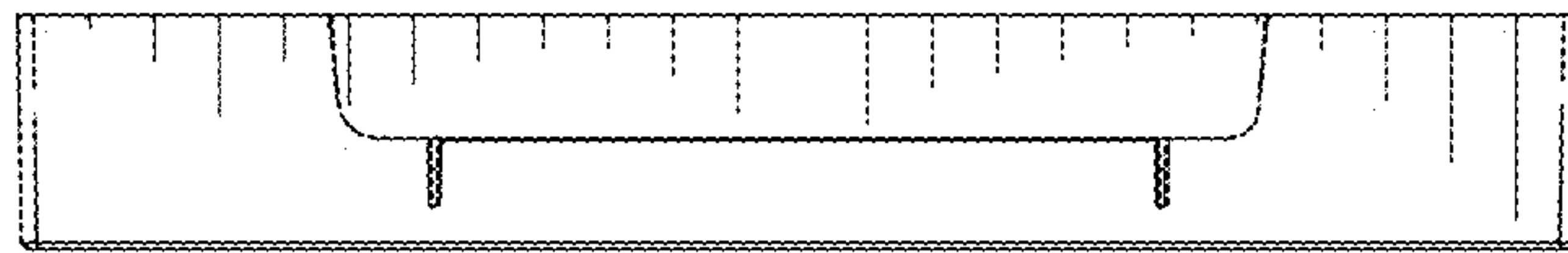


FIG. 5



FIG. 6

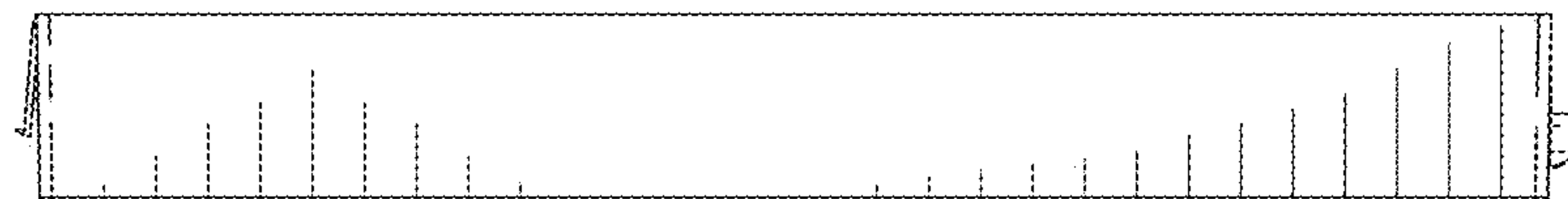


FIG. 7