



US00D888212S

(12) **United States Design Patent**  
**Kim et al.**

(10) **Patent No.:** **US D888,212 S**  
(45) **Date of Patent:** **\*\* Jun. 23, 2020**

(54) **AIR CONDITIONER**

FOREIGN PATENT DOCUMENTS

(71) Applicant: **SAMSUNG ELECTRONICS CO., LTD.**, Suwon-si (KR)

EM 0004743580003 3/2006  
KR 300729240 2/2014

(Continued)

(72) Inventors: **Tae Han Kim**, Suwon-si (KR);  
**Min-Kyung Choi**, Suwon-si (KR)

*Primary Examiner* — Natasha Vujcic  
(74) *Attorney, Agent, or Firm* — Cantor Colburn LLP

(73) Assignee: **SAMSUNG ELECTRONICS CO., LTD.**, Gyeonggi-Do (KR)

(\*\*) Term: **15 Years**

(57) **CLAIM**

The ornamental design for an air conditioner, as shown and described.

(21) Appl. No.: **29/685,273**

(22) Filed: **Mar. 27, 2019**

(30) **Foreign Application Priority Data**

**DESCRIPTION**

Nov. 14, 2018 (KR) ..... 30-2018-0052703

(51) **LOC (12) Cl.** ..... **23-04**

(52) **U.S. Cl.**  
USPC ..... **D23/351**

(58) **Field of Classification Search**  
USPC ..... D23/333, 351-354, 388  
CPC .... F24F 1/00; F24F 1/0007; F24F 1/02; F24F 1/08; F24F 1/42; F24F 1/56; F24F 1/60; F24F 3/044; F24F 3/048; F24F 3/16; G05D 23/1905; G05D 23/1932; G05D 23/1902; G05D 23/1931; G05B 19/0426; G05B 19/409; G05B 15/02

See application file for complete search history.

FIG. 1 is a front perspective view of an air conditioner, showing our new design;  
FIG. 2 is a front view thereof;  
FIG. 3 is a rear view thereof;  
FIG. 4 is a left-side view thereof;  
FIG. 5 is a right-side view thereof;  
FIG. 6 is a top plan view thereof;  
FIG. 7 is a bottom plan view thereof;  
FIG. 8 is a rear perspective view thereof;  
FIG. 9 is an enlarged view of the portion 9 in FIG. 1;  
FIG. 10 is an enlarged view of the portion 10 in FIG. 6; and, FIG. 11 is a cross-sectional view thereof, taken along line 11-11 in FIG. 10.

(56) **References Cited**

U.S. PATENT DOCUMENTS

D580,031 S \* 11/2008 Kim ..... D23/351  
D580,032 S \* 11/2008 Kim ..... D23/351  
D689,994 S \* 9/2013 Jun ..... D23/351  
D701,596 S \* 3/2014 Yoo ..... D23/351  
D717,419 S \* 11/2014 Choi ..... D23/351  
D734,299 S 7/2015 Ahn et al.  
D735,843 S \* 8/2015 Sunwoo ..... D23/333

The even-dash broken lines illustrating portions of the air conditioner form no part of the claimed design. The dot-dash broken lines in the figures represent a boundary line and form no part of the claimed design. The dot-dot-dash broken lines encircling enlargement portions of the claimed design form no part of the claimed design.

The top portion with shading lines of the design represents a display panel.

The thousands of tiny features of front portion are ‘micro air holes’, not the pattern.

(Continued)

**1 Claim, 11 Drawing Sheets**



(56)

**References Cited**

U.S. PATENT DOCUMENTS

D778,416	S	*	2/2017	Bu	.....	D23/351
D797,268	S	*	9/2017	Park	.....	D23/351
D799,656	S	*	10/2017	Park	.....	D23/351
D800,880	S	*	10/2017	Kim	.....	D23/351
D814,000	S	*	3/2018	Qiao	.....	D23/333
D815,264	S	*	4/2018	Park	.....	D23/351
D819,189	S	*	5/2018	Chen	.....	D23/332
D827,799	S	*	9/2018	Shin	.....	D23/364
D840,525	S	*	2/2019	Park	.....	D23/351
D840,526	S	*	2/2019	Park	.....	D23/351
D841,140	S	*	2/2019	Chen	.....	D23/336
D858,736	S	*	9/2019	Lewis	.....	D23/378

FOREIGN PATENT DOCUMENTS

KR	300709266	12/2014
KR	300877932	10/2016

\* cited by examiner

FIG. 1

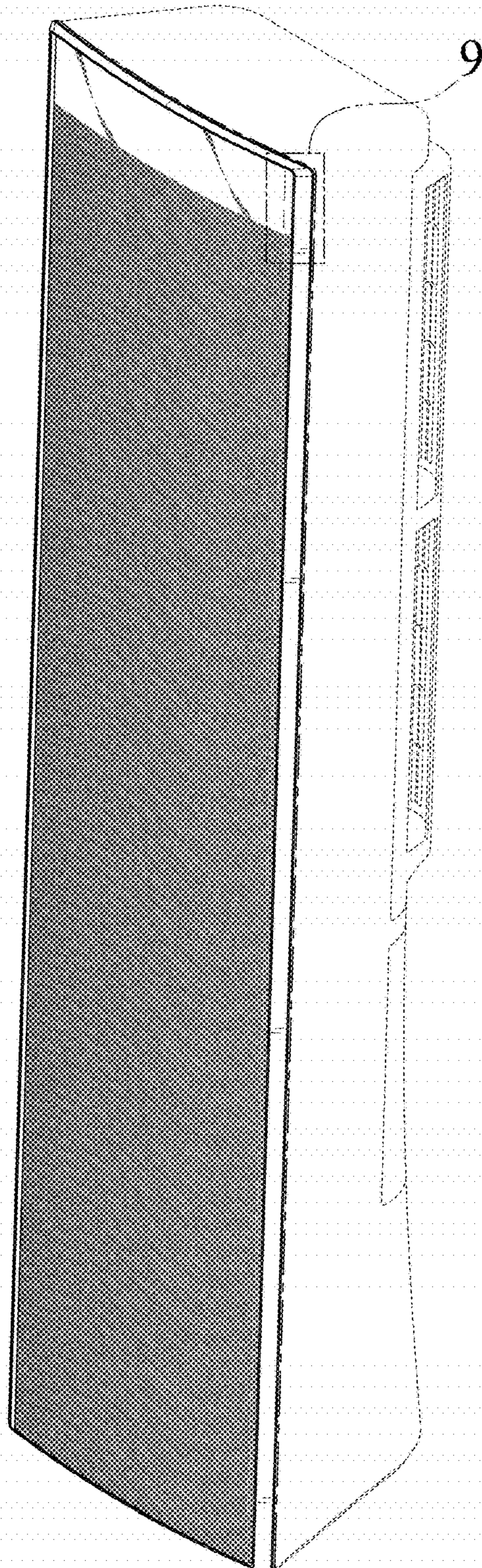


FIG. 2

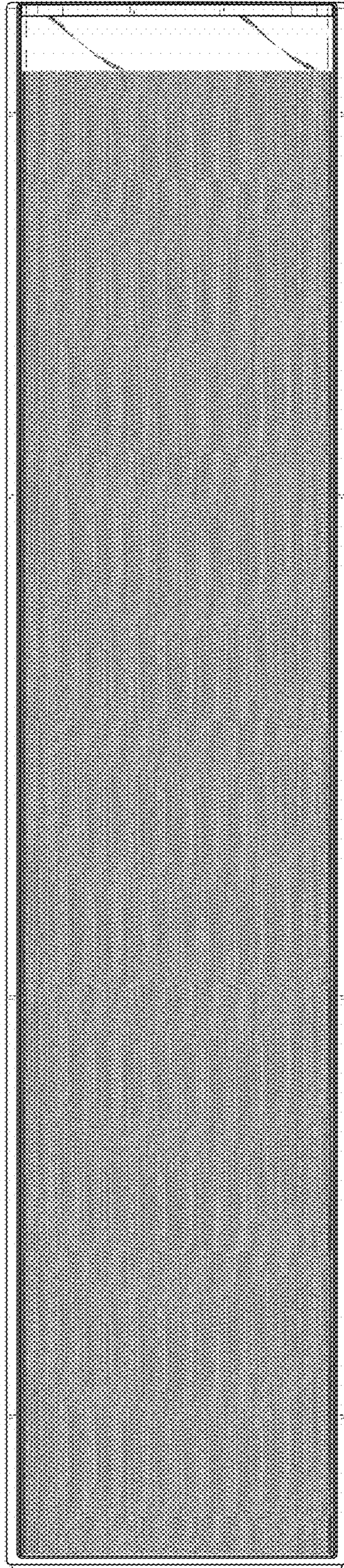


FIG. 3

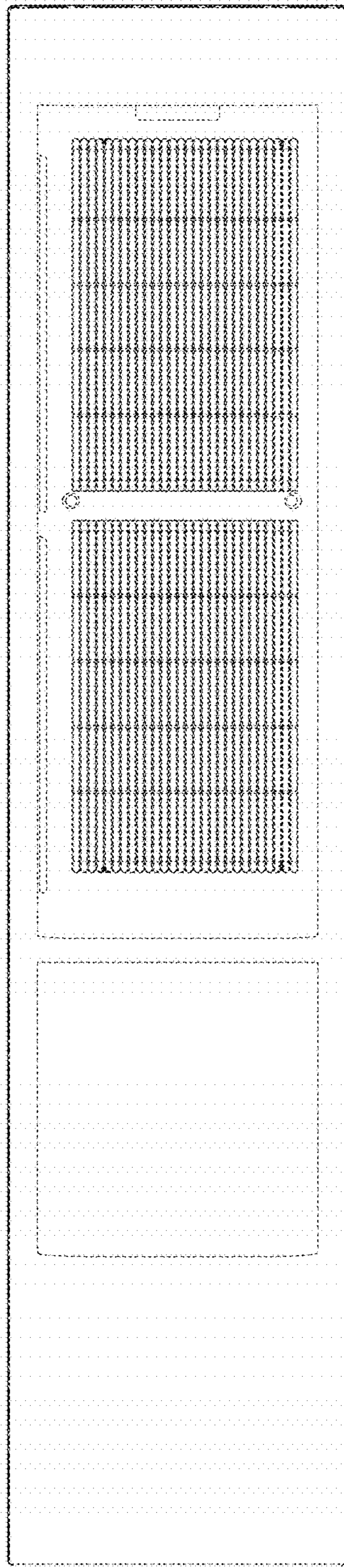


FIG. 4

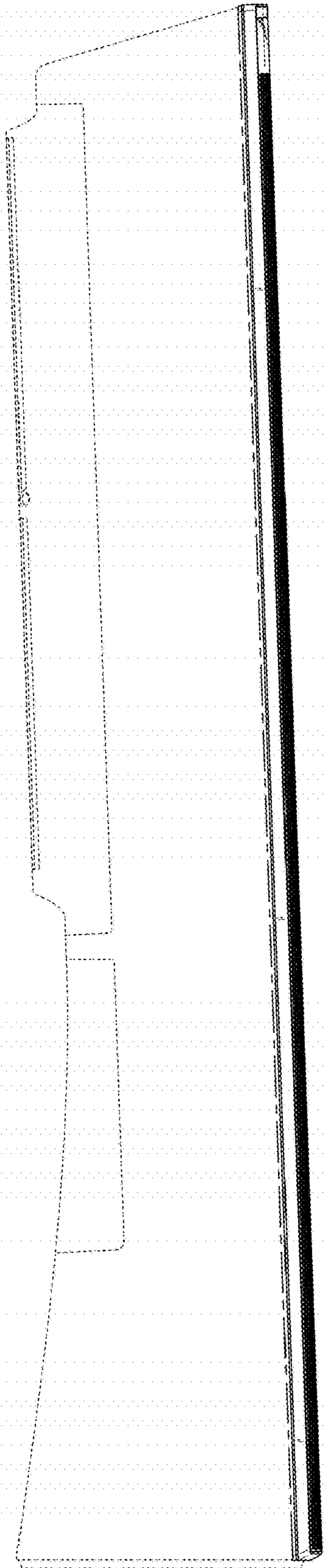


FIG. 5

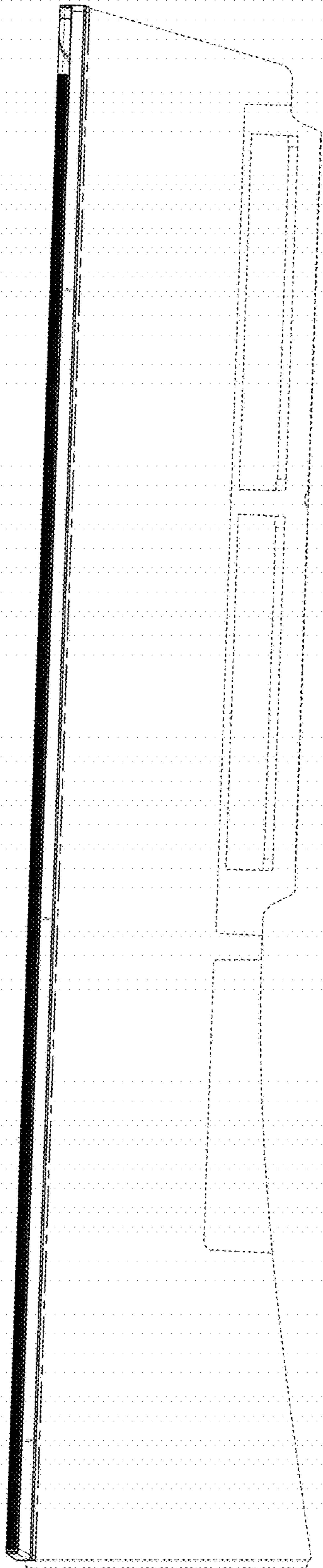


FIG. 6

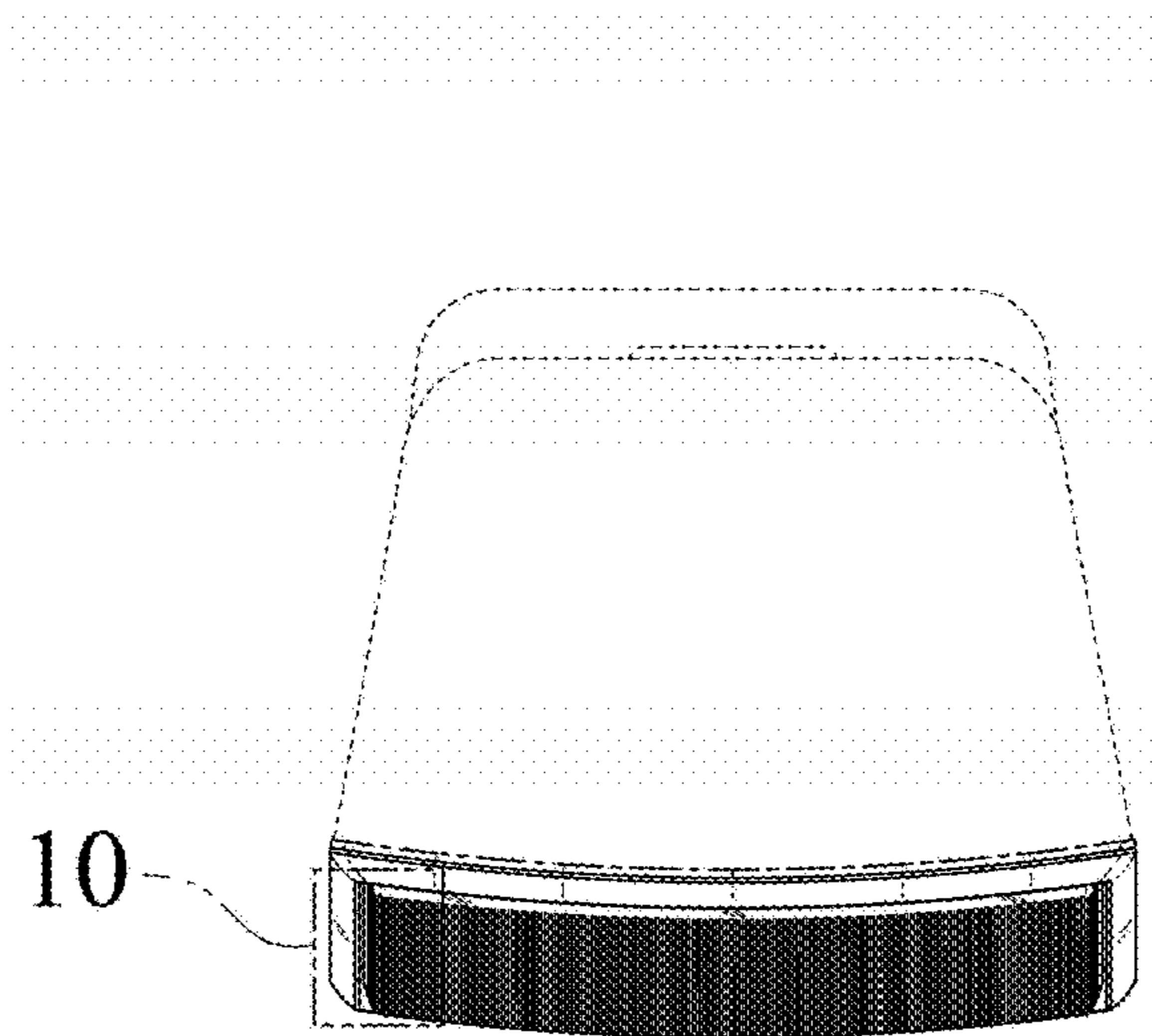




FIG. 7

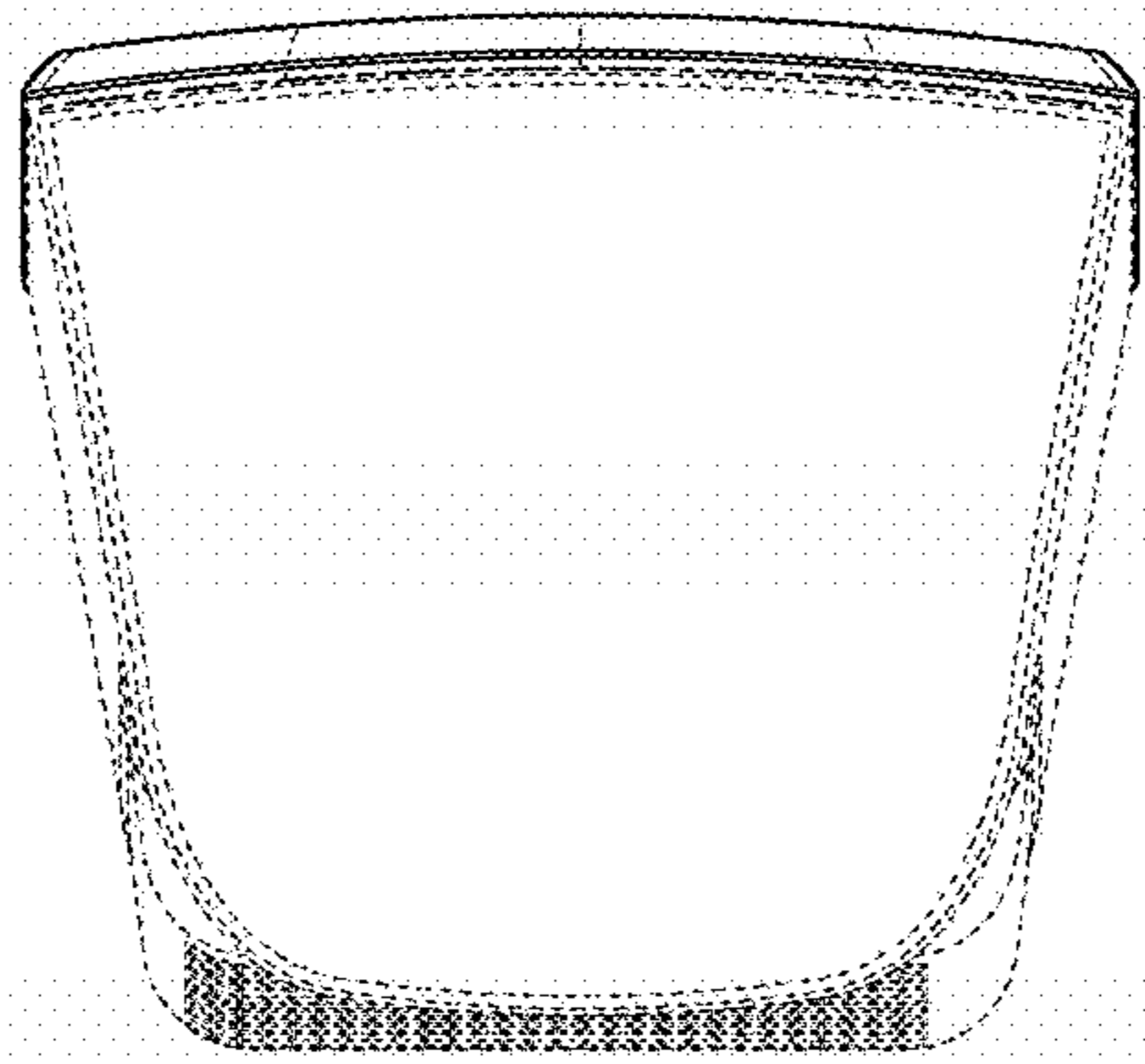


FIG. 8

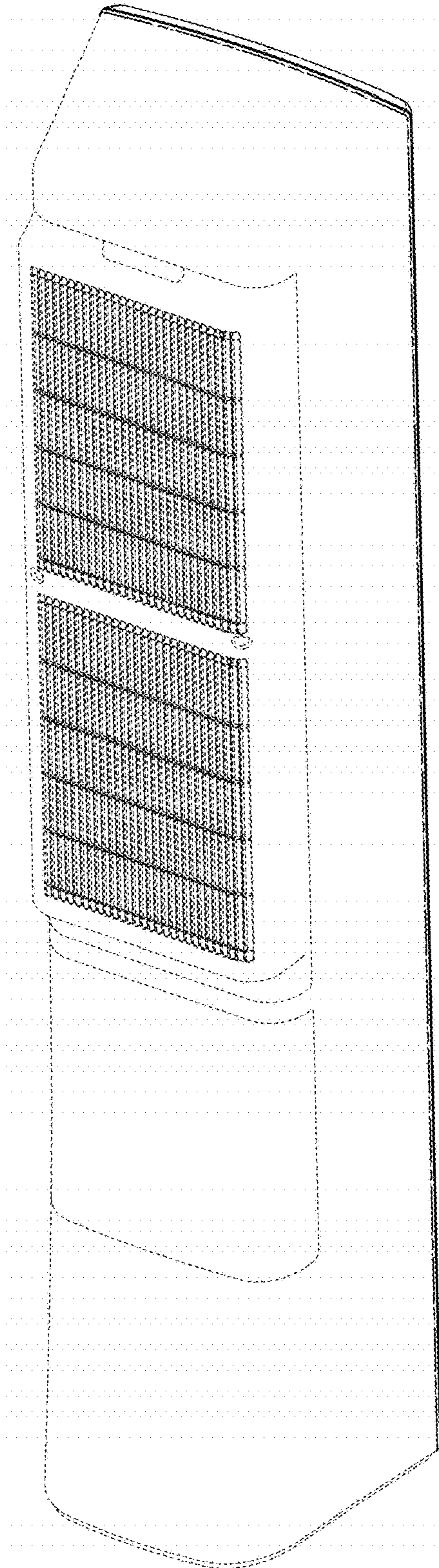


FIG. 9

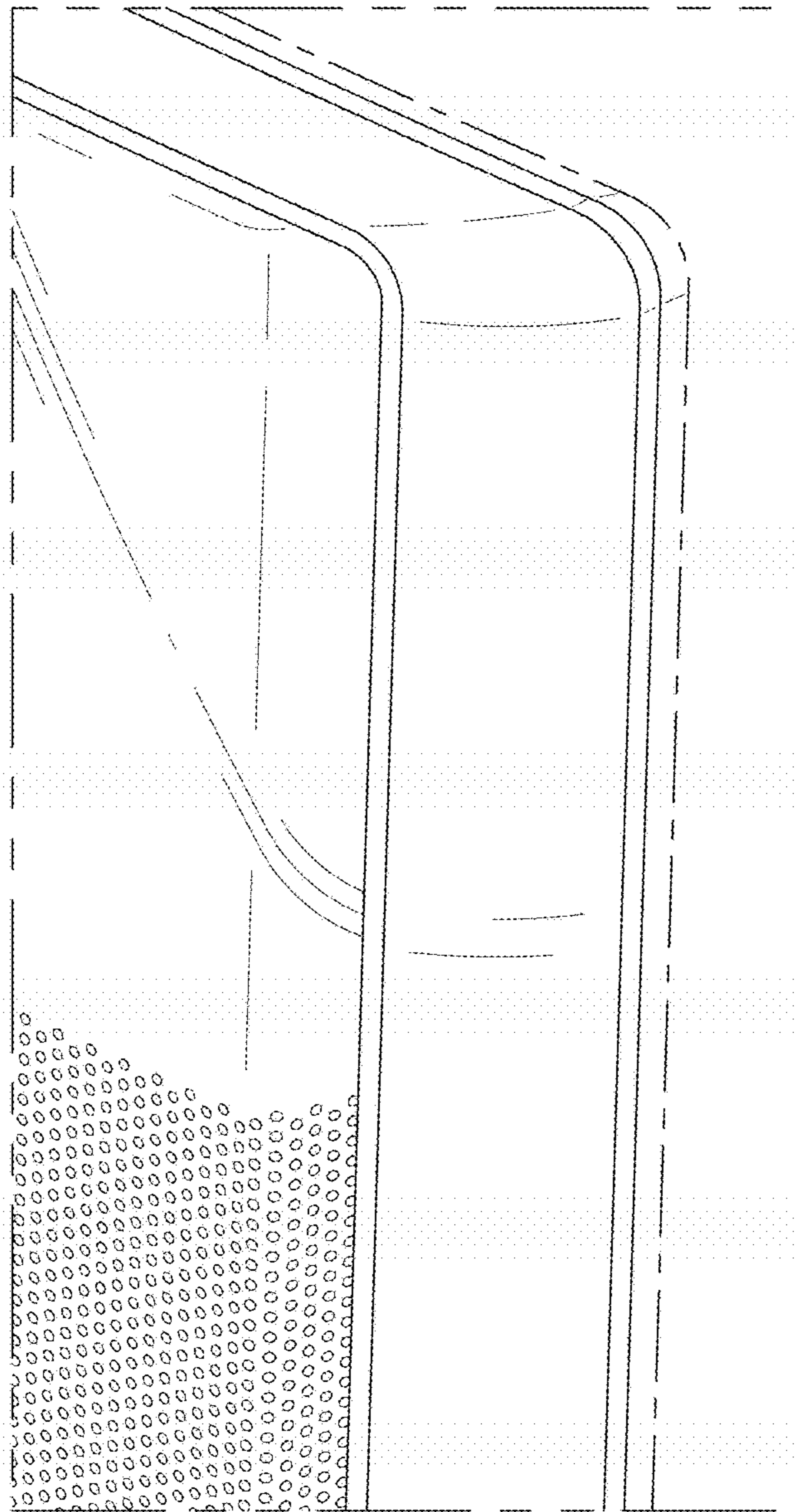


FIG. 10

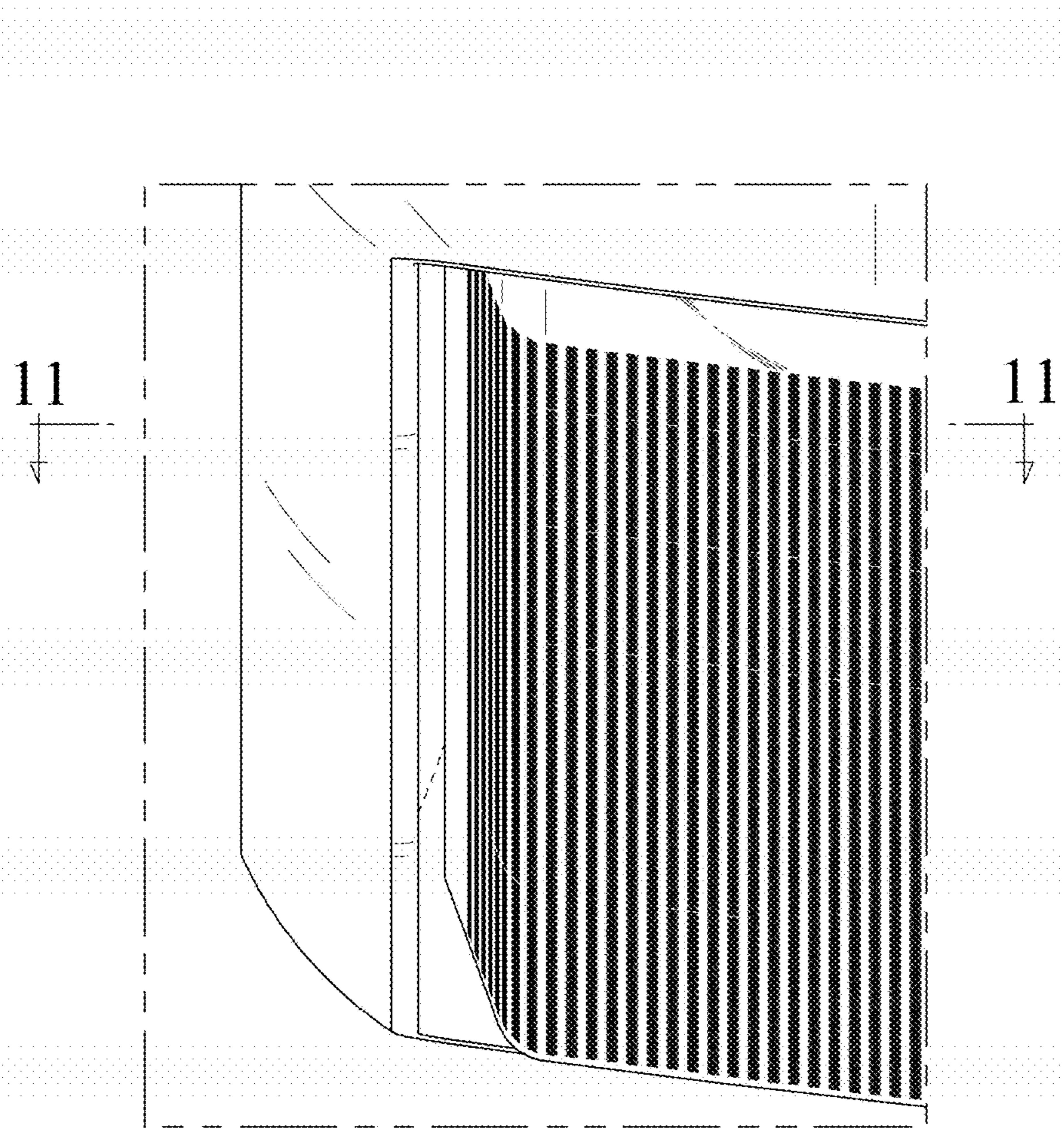


FIG. 11

