



US00D888209S

(12) **United States Design Patent**  
**Knuth et al.**

(10) **Patent No.:** **US D888,209 S**  
(45) **Date of Patent:** **\*\* Jun. 23, 2020**

(54) **STAGGERED SINK UNIT**

FOREIGN PATENT DOCUMENTS

(71) Applicant: **Glastender, Inc.**, Saginaw, MI (US)  
(72) Inventors: **Craig Rockwell Knuth**, Saginaw, MI (US); **Todd Michael Hall**, Saginaw, MI (US)

CN 201730228775 \* 6/2017

\* cited by examiner

*Primary Examiner* — Sheryl Lane  
*Assistant Examiner* — Samantha N Wood

(\*\*) Term: **15 Years**

(74) *Attorney, Agent, or Firm* — Rivenoak Law Group, P.C.

(21) Appl. No.: **29/633,367**

(57) **CLAIM**

(22) Filed: **Jan. 12, 2018**

The ornamental design for a staggered sink unit, as shown and described.

(51) **LOC (12) Cl.** ..... **23-02**

**DESCRIPTION**

(52) **U.S. Cl.**

USPC ..... **D23/308**; D23/290

(58) **Field of Classification Search**

USPC ... D23/270, 284, 285, 286, 287, 293.1, 290, D23/304, 308, 499, 292; D6/524, 573, D6/663–665, 672, 675, 675.1, 675.3, 702, D6/703, 704, 705

CPC ..... E03C 1/04; E03C 1/12; A47K 1/00

See application file for complete search history.

FIG. 1 is a first top perspective view of a staggered sink unit showing our new design.

FIG. 2 is a second top perspective view thereof.

FIG. 3 is a first bottom perspective view thereof.

FIG. 4 is a second bottom perspective view thereof.

FIG. 5 is a front view thereof.

FIG. 6 is a first side view thereof.

FIG. 7 is a back view thereof.

FIG. 8 is a second side view thereof.

FIG. 9 is a top view thereof.

FIG. 10 is a bottom view thereof; and,

FIG. 11 is a cross-sectional view taken from FIG. 5.

The staggered sink unit is shown with symbolic breaks in its length. The appearance of any portion of the article between the break lines forms no part of the claimed design.

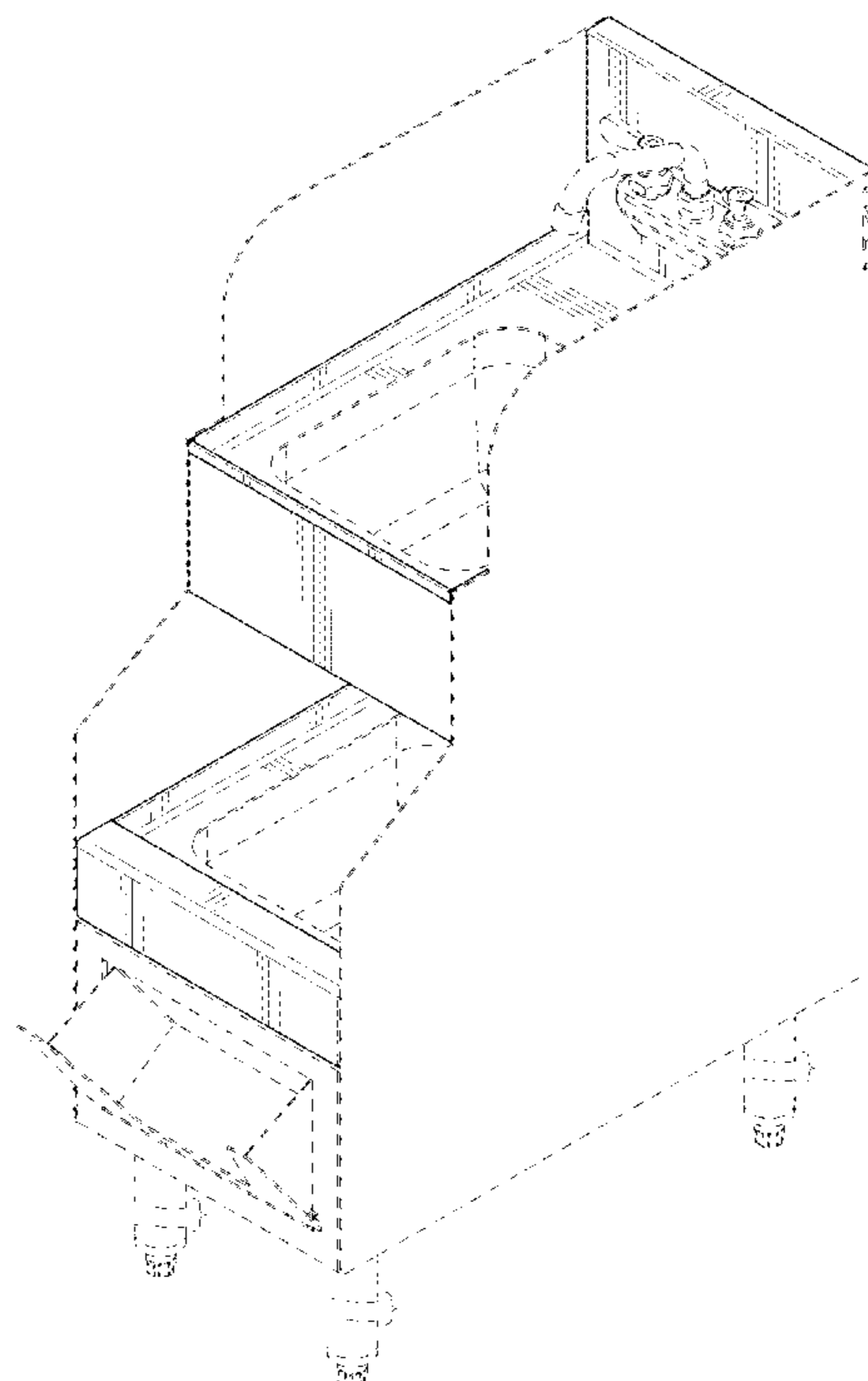
The broken lines are included for the purpose of illustrating environmental structure and forms no part of the claimed design.

(56) **References Cited**

U.S. PATENT DOCUMENTS

D135,025 S *	2/1943	Hoffman	.....	D6/675.3
D369,040 S *	4/1996	Lechleiter	.....	D6/672
D384,221 S *	9/1997	Roeder	.....	D6/675
D438,403 S *	3/2001	Greenburg	.....	D6/675.3
D730,665 S *	6/2015	Murakami	.....	D6/675.3
D842,011 S *	3/2019	Fux	.....	D6/675
2014/0117126 A1 *	5/2014	Ceru	.....	E03C 1/2665
				241/23

**1 Claim, 9 Drawing Sheets**



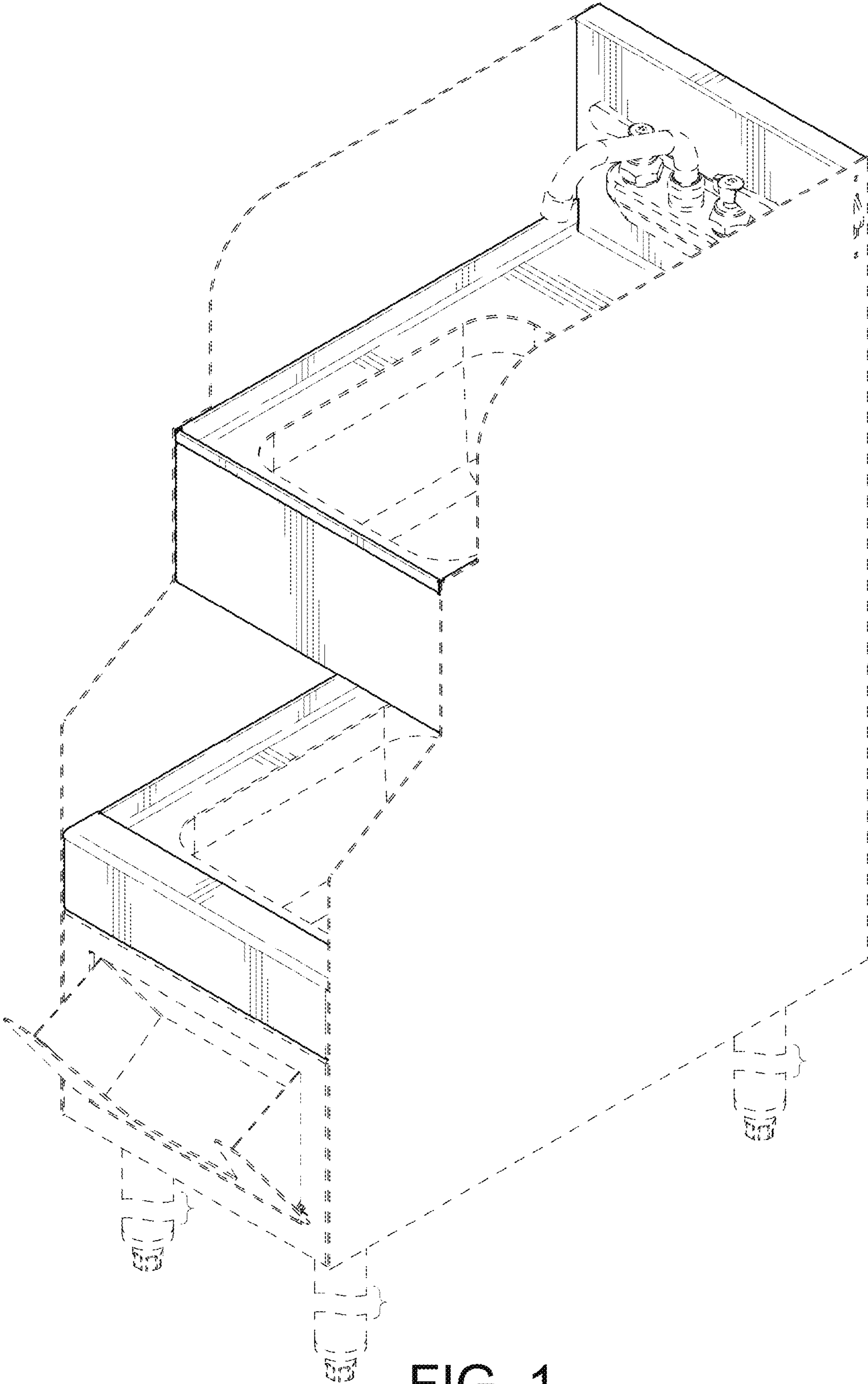


FIG. 1

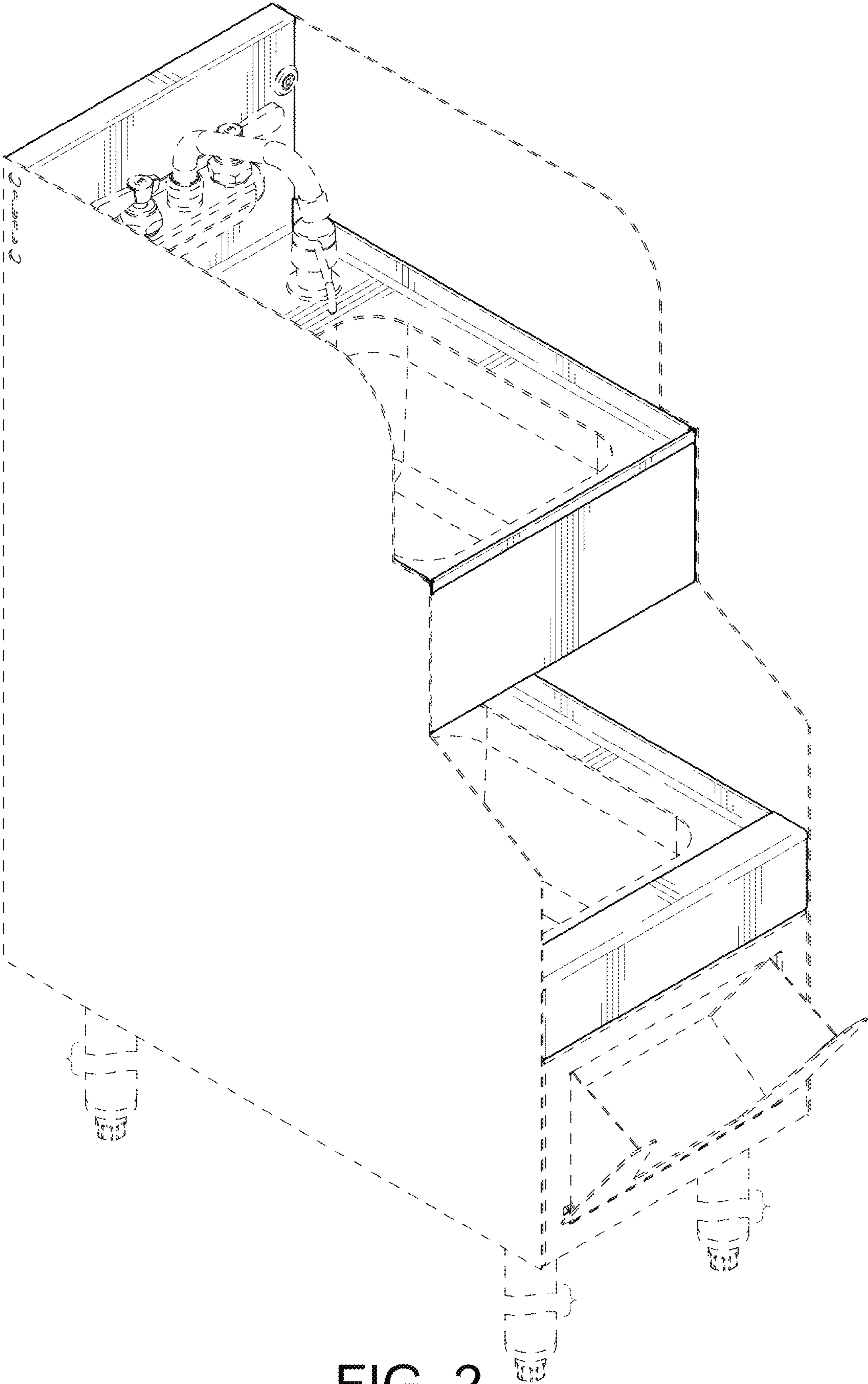


FIG. 2

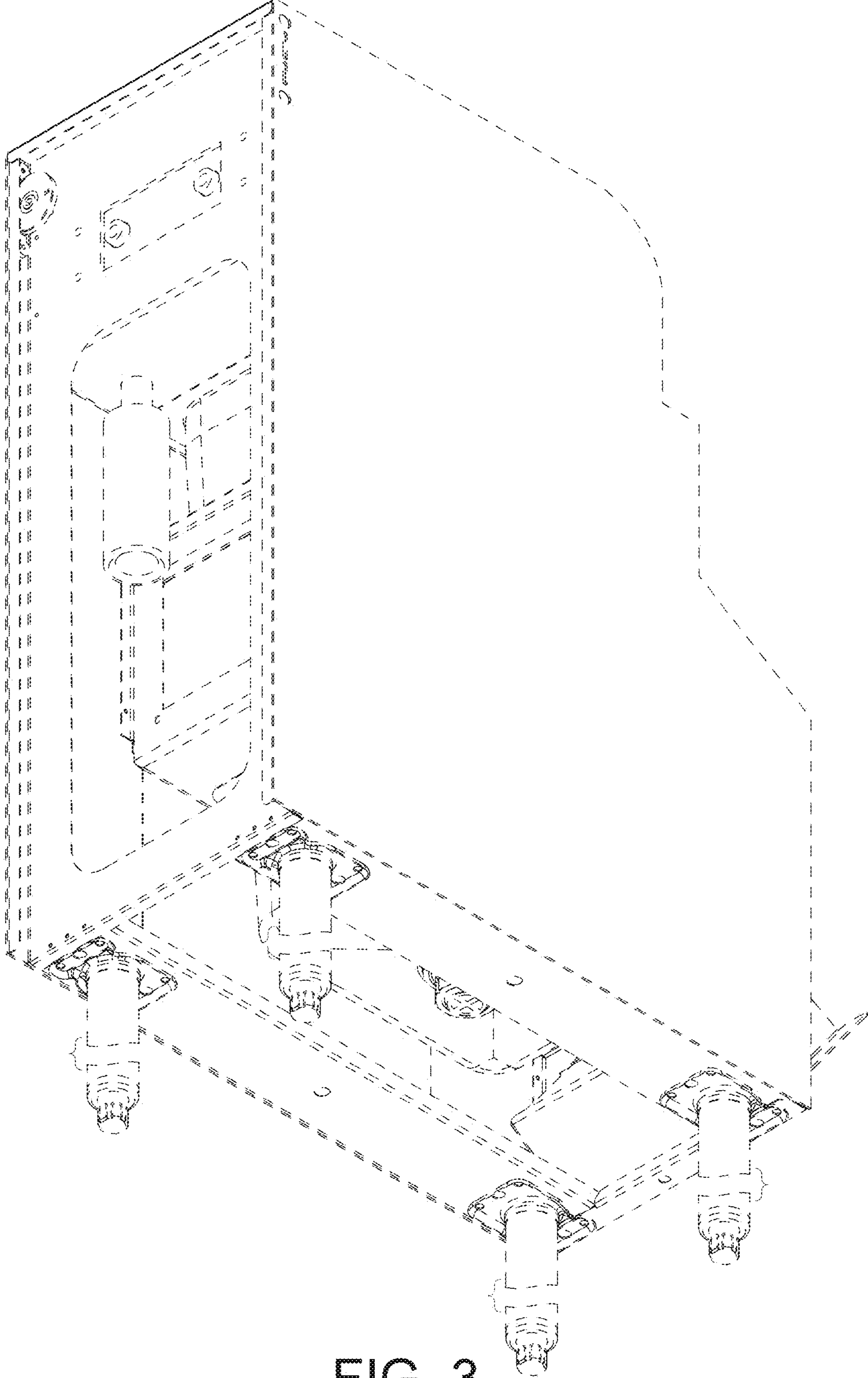


FIG. 3

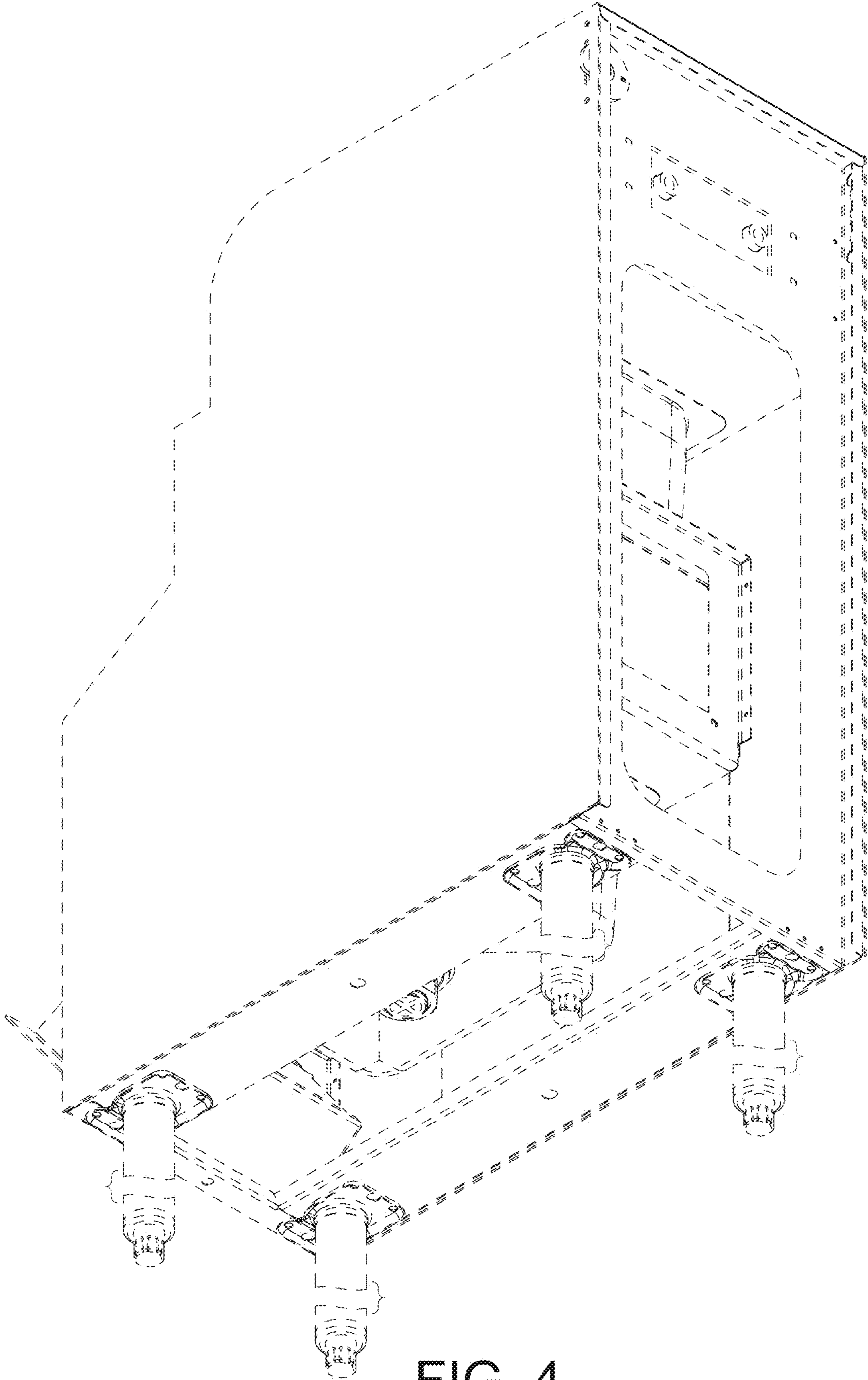


FIG. 4

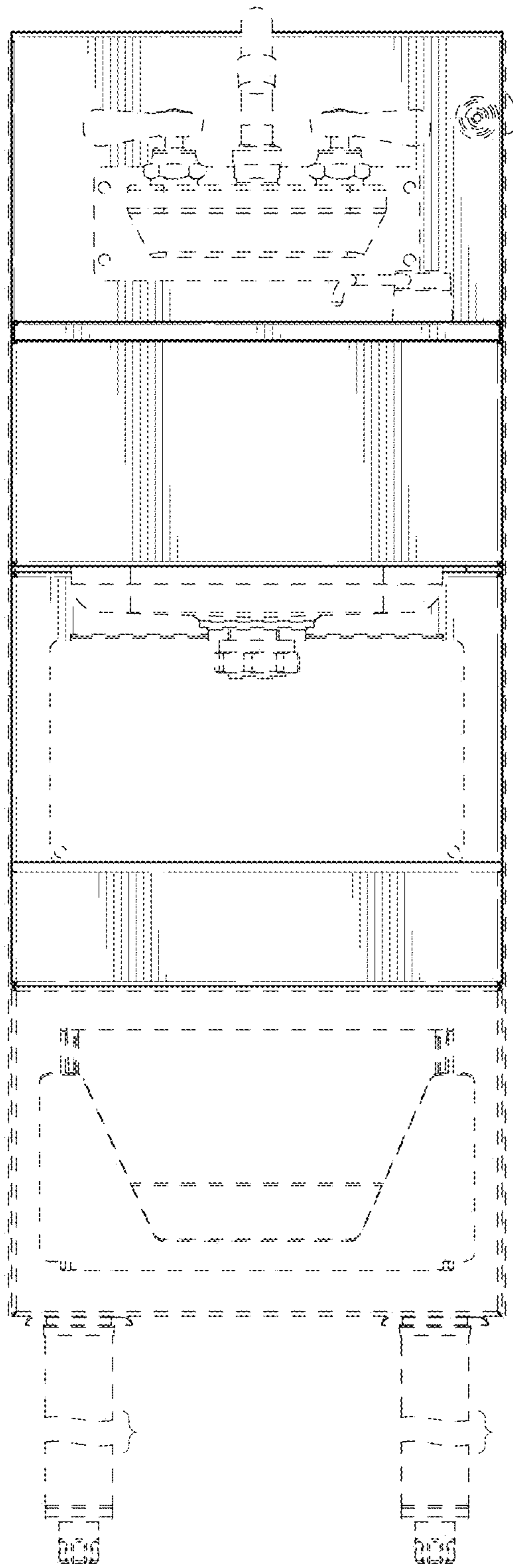


FIG. 5

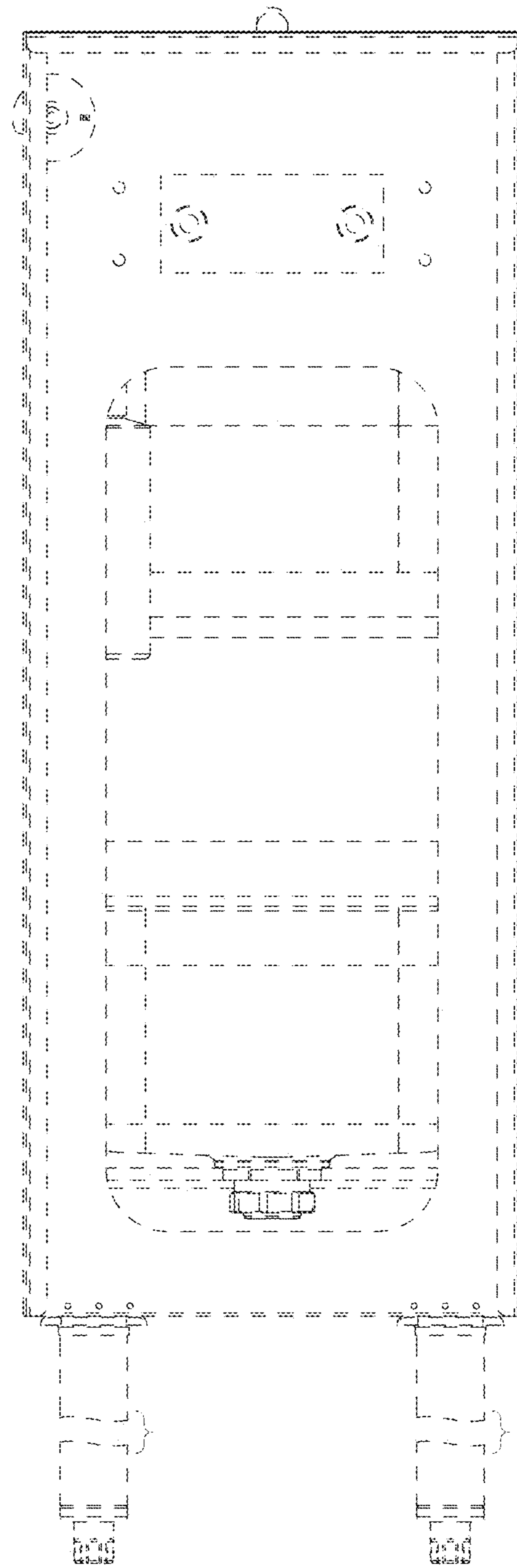


FIG. 7

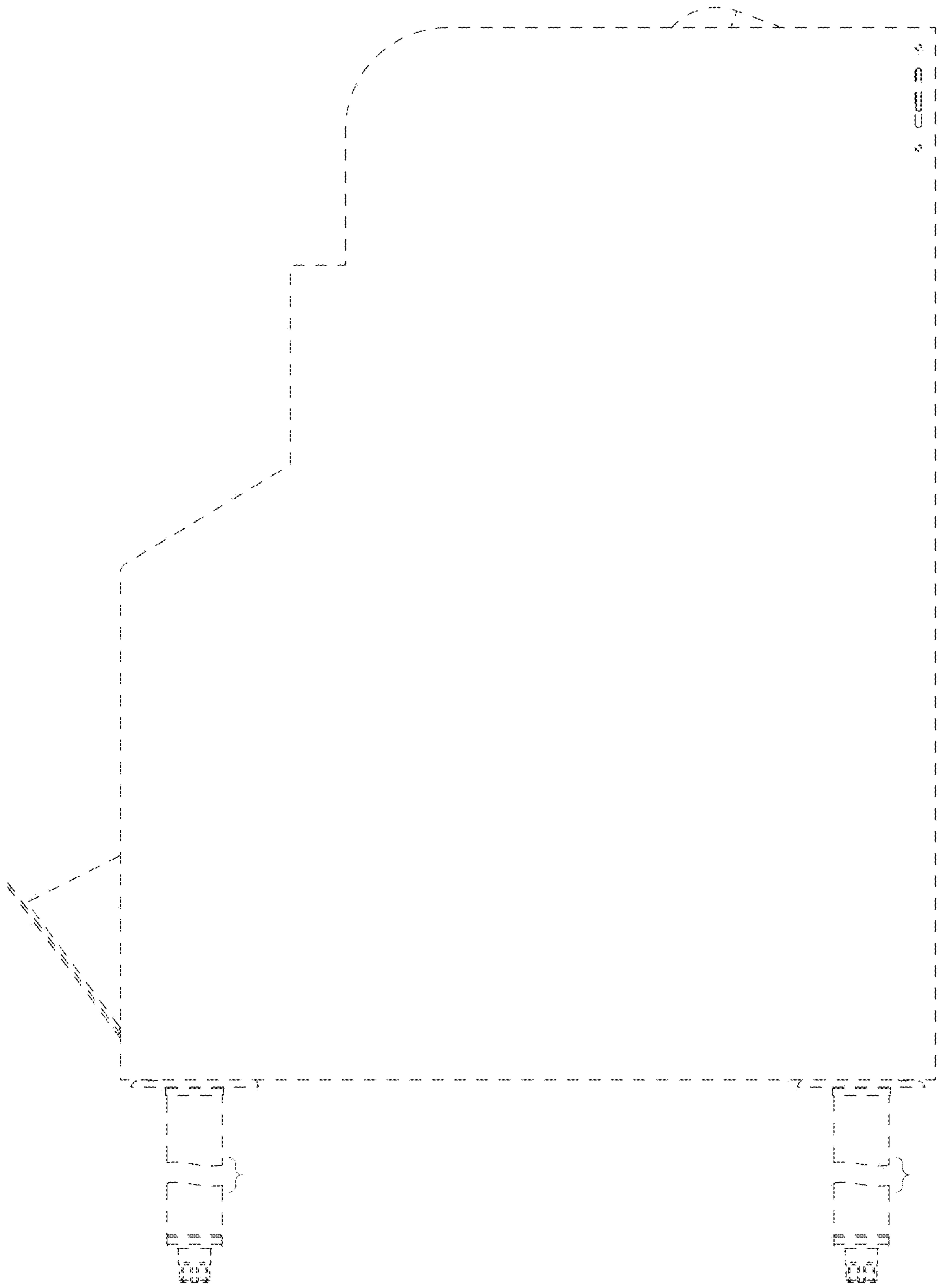


FIG. 6

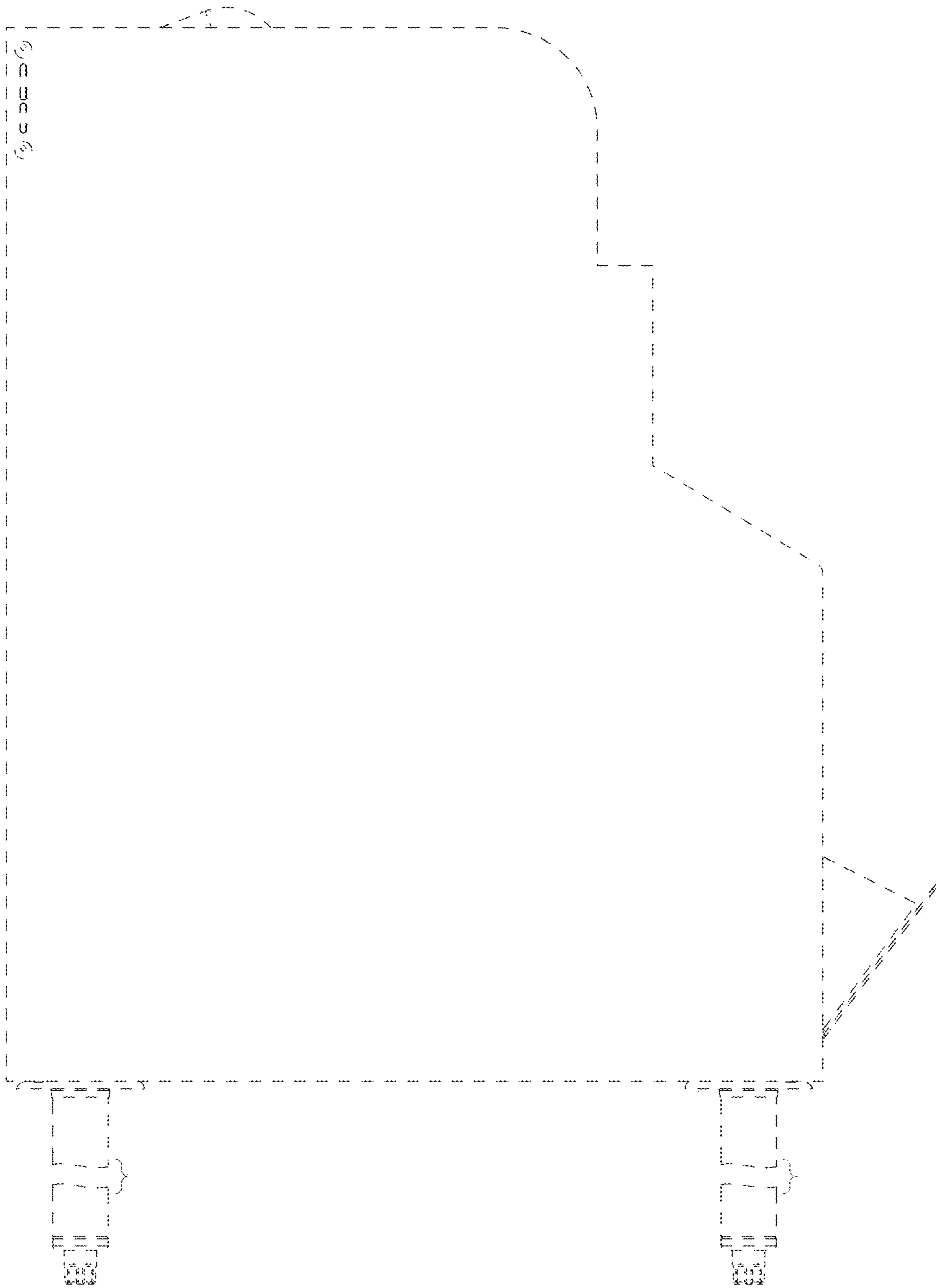


FIG. 8



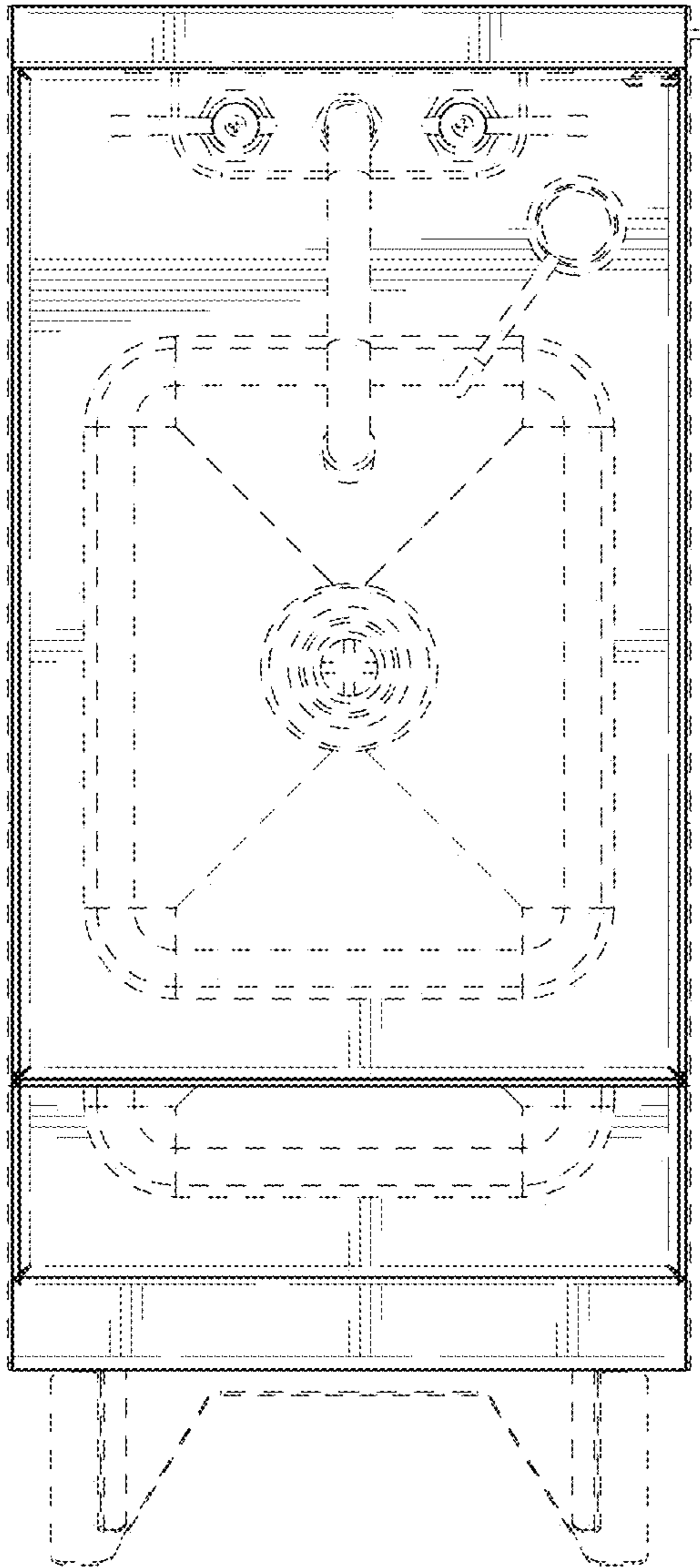


FIG. 9

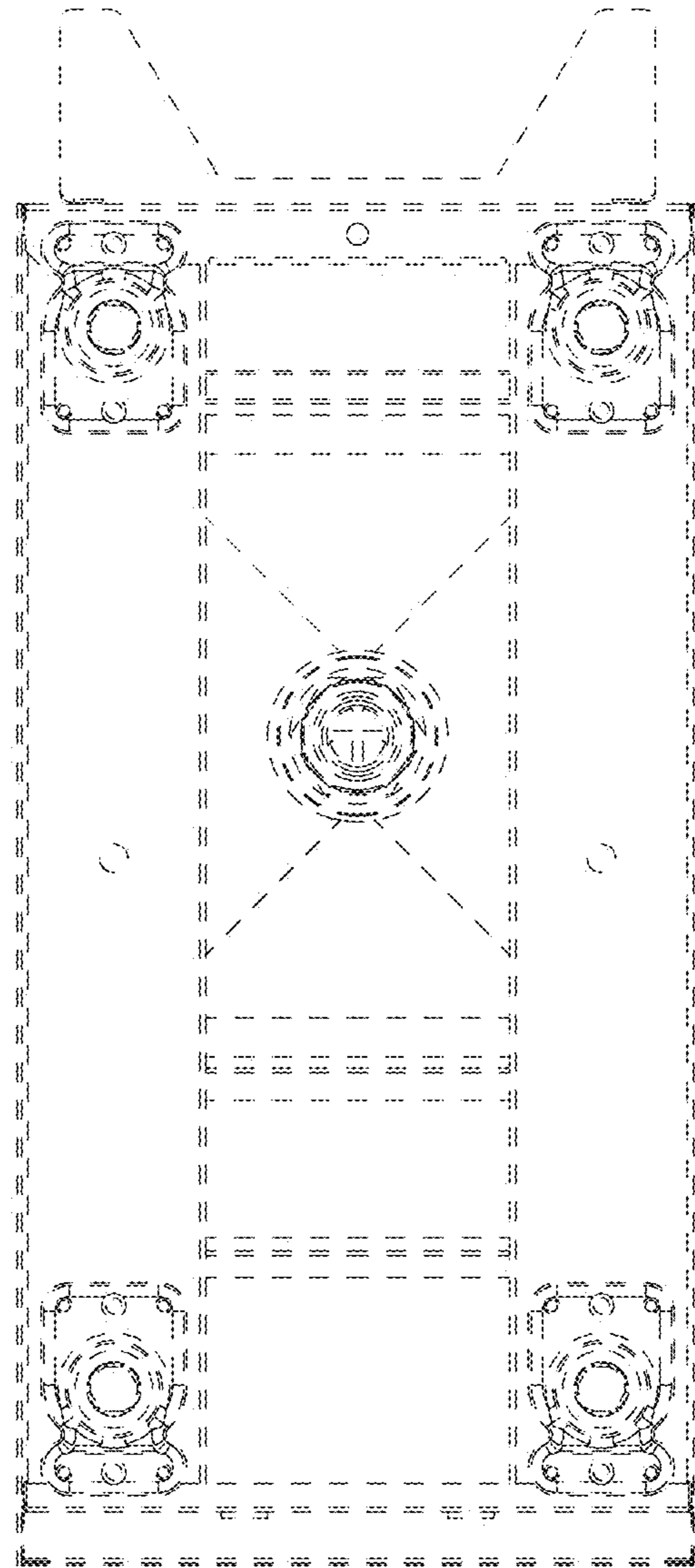


FIG. 10

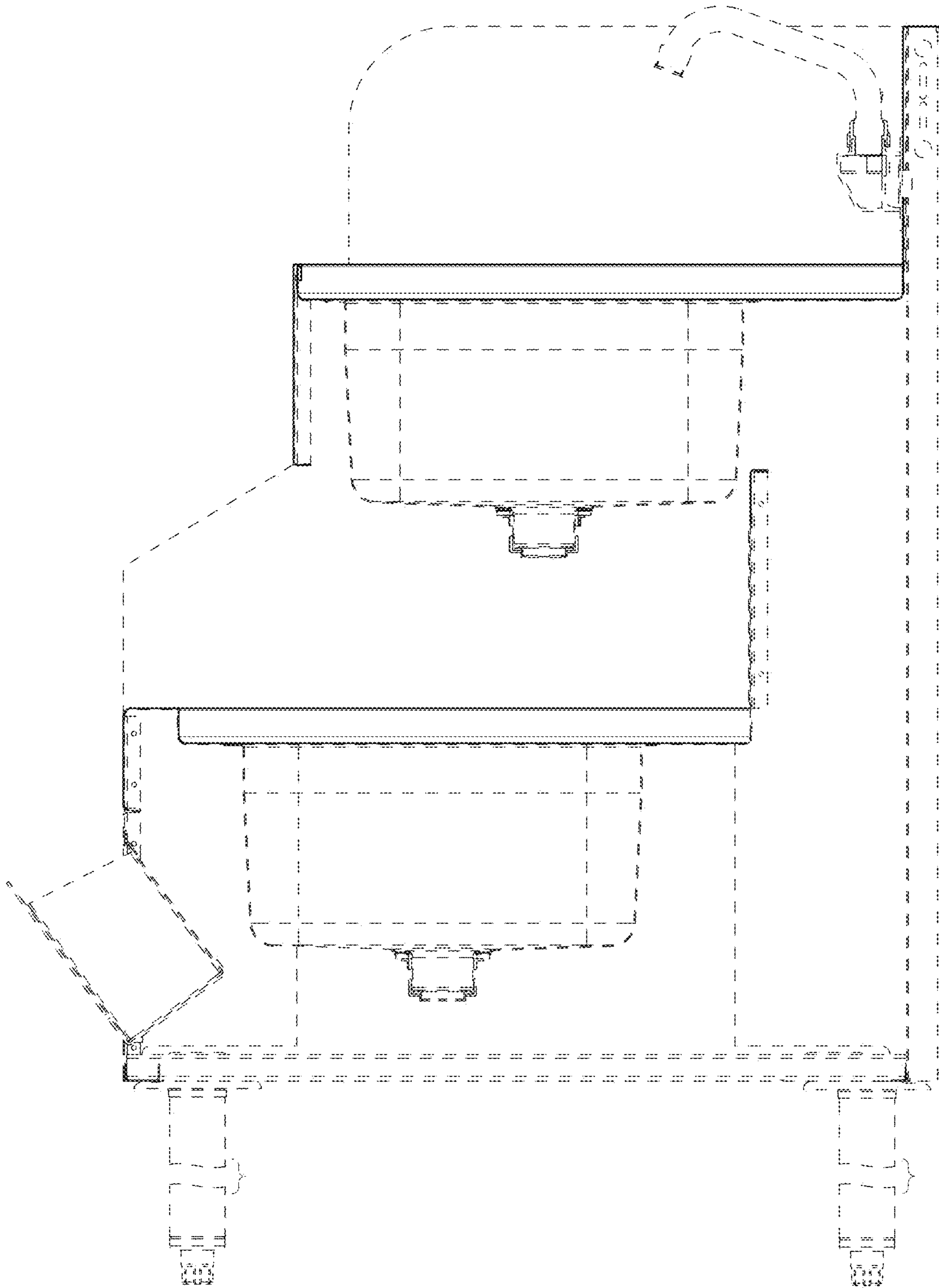


FIG. 11