



US00D888207S

(12) **United States Design Patent**
Erkins

(10) **Patent No.:** **US D888,207 S**

(45) **Date of Patent:** **** Jun. 23, 2020**

(54) **MEDICAL BIDET**

(71) Applicant: **Jacquita Erkins**, Montgomery, AL (US)

(72) Inventor: **Jacquita Erkins**, Montgomery, AL (US)

(**) Term: **15 Years**

(21) Appl. No.: **29/650,288**

(22) Filed: **Jun. 5, 2018**

(51) **LOC (12) Cl.** **23-02**

(52) **U.S. Cl.**
USPC **D23/295**

(58) **Field of Classification Search**
USPC D23/295-301, 303, 309, 311-313
CPC A47K 11/02; A47K 11/026; A47K 11/00;
A47K 13/00; E03D 11/18; E03D 5/10;
E03D 13/00

See application file for complete search history.

(56) **References Cited**

U.S. PATENT DOCUMENTS

5,570,479	A	11/1996	Chomik et al.	
D400,238	S *	10/1998	New	D23/295
6,327,718	B1	12/2001	Ono et al.	
7,216,374	B2	5/2007	Hassan	
8,261,377	B2 *	9/2012	Oh	E03D 9/08 4/420.5
8,776,278	B1	7/2014	Dorra	
D786,412	S	5/2017	Jeong et al.	
D795,405	S	8/2017	Novick	
D805,615	S	12/2017	Schwab et al.	
2002/0042946	A1 *	4/2002	Jeon	E03D 9/08 4/420.4
2009/0044324	A1 *	2/2009	Meshreky	A47K 13/24 4/444
2012/0246814	A1 *	10/2012	Huang	E03D 5/105 4/313

OTHER PUBLICATIONS

Attachable bidet reference [May 8, 2019] found online [May 8, 2019]—<https://www.bedbathandbeyond.com/1/3/attachable-bidet>.*

* cited by examiner

Primary Examiner — Brandon M Rosati

Assistant Examiner — John A Voytek

(74) *Attorney, Agent, or Firm* — Suzanne Kikel, Patent Agent

(57) **CLAIM**

The ornamental design for a medical bidet, as shown and described.

DESCRIPTION

FIG. 1 is a perspective view of a medical bidet, showing my new design as secured in a commode.

FIG. 2 is an enlarged perspective view of the medical bidet of FIG. 1.

FIG. 3 is a top plan view of the medical bidet of FIG. 2.

FIG. 4 is a bottom plan view thereof.

FIG. 5 is a front elevational view thereof.

FIG. 6 is a rear elevational view thereof.

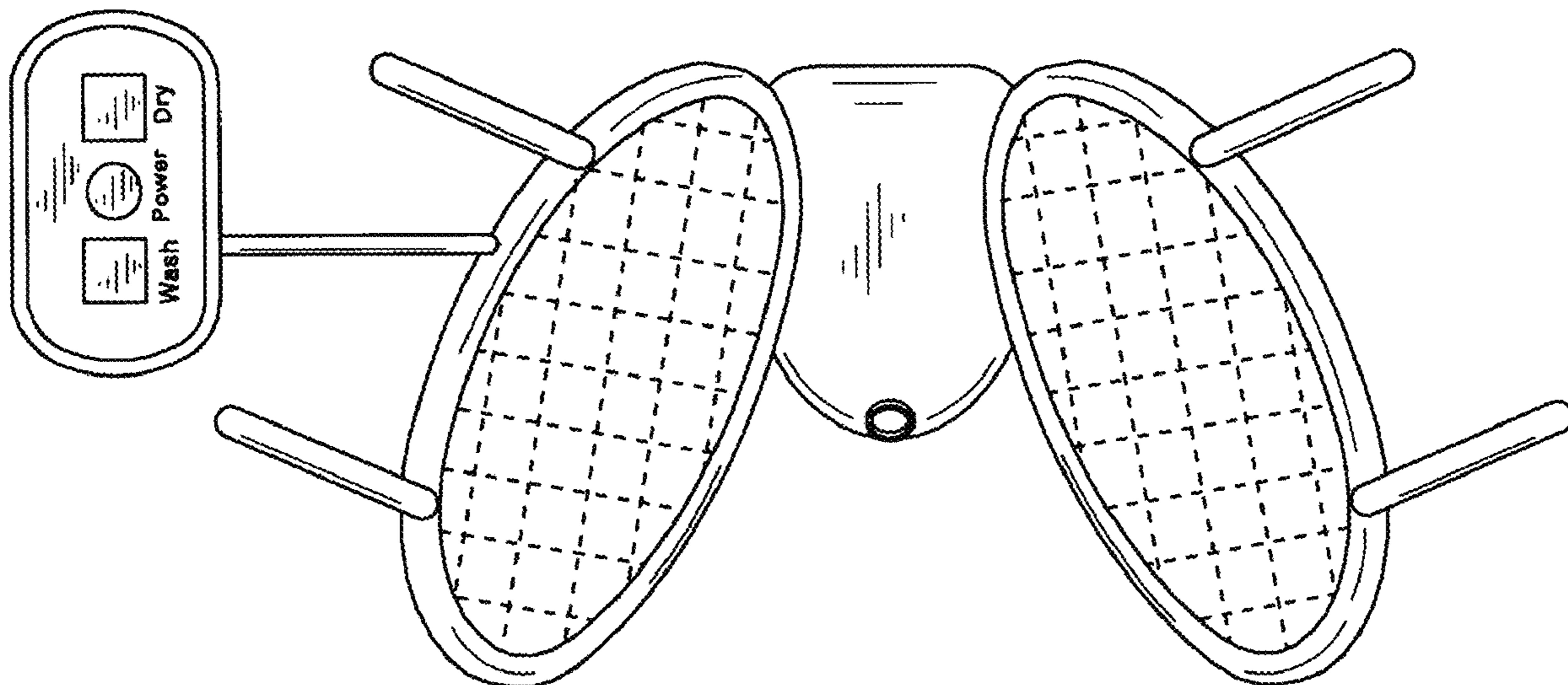
FIG. 7 is a left side view thereof.

FIG. 8 is a right side view thereof; and,

FIG. 9 is an exploded, perspective view of the medical bidet similar to FIG. 1.

In the drawings, the broken lines depicting the toilet are environmental subject matter only and form no part of the claimed design. The broken lines on the surfaces of the medical bidet illustrate portions of the article that form no part of the claimed design.

1 Claim, 7 Drawing Sheets



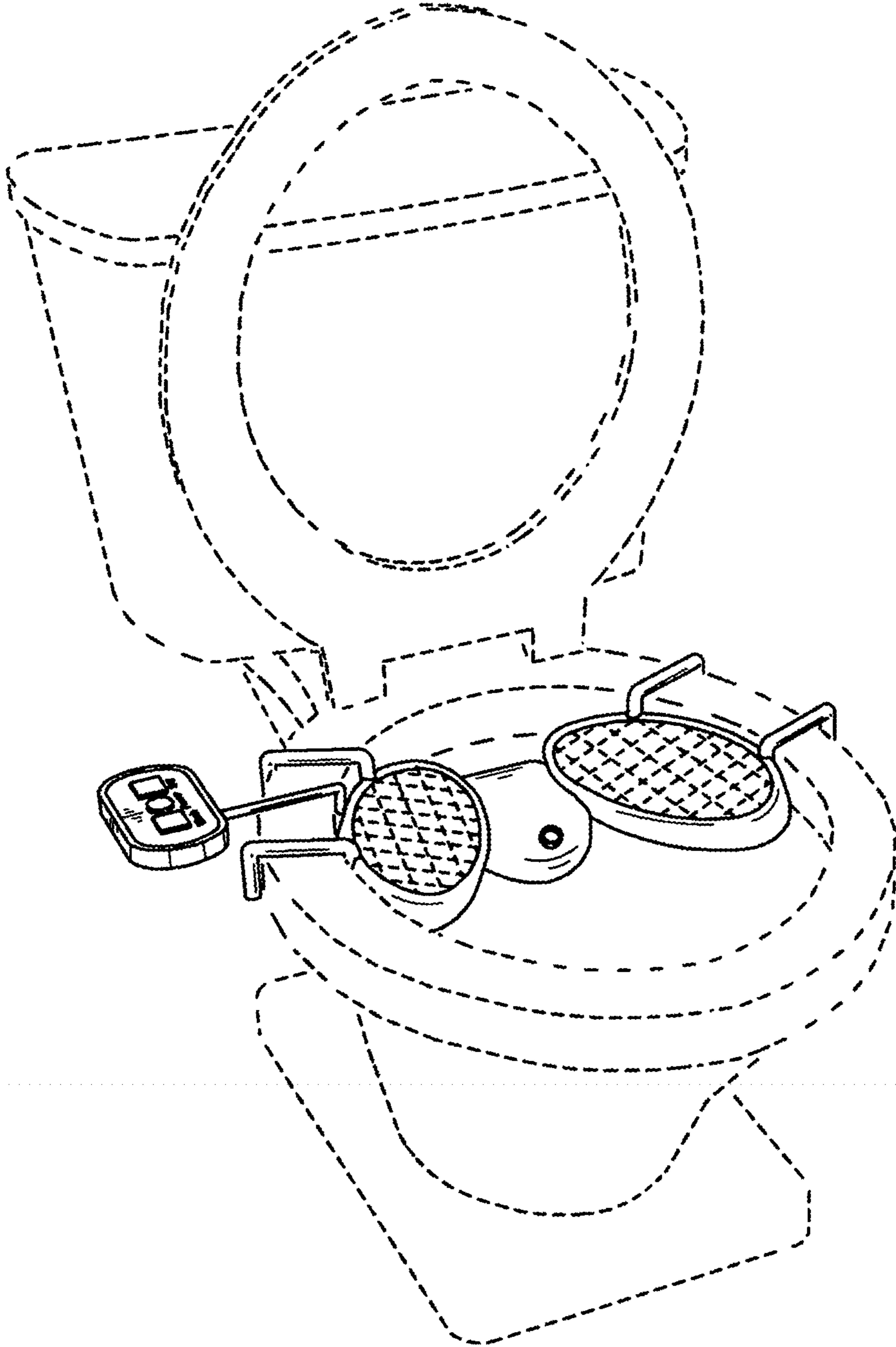


FIG. 1

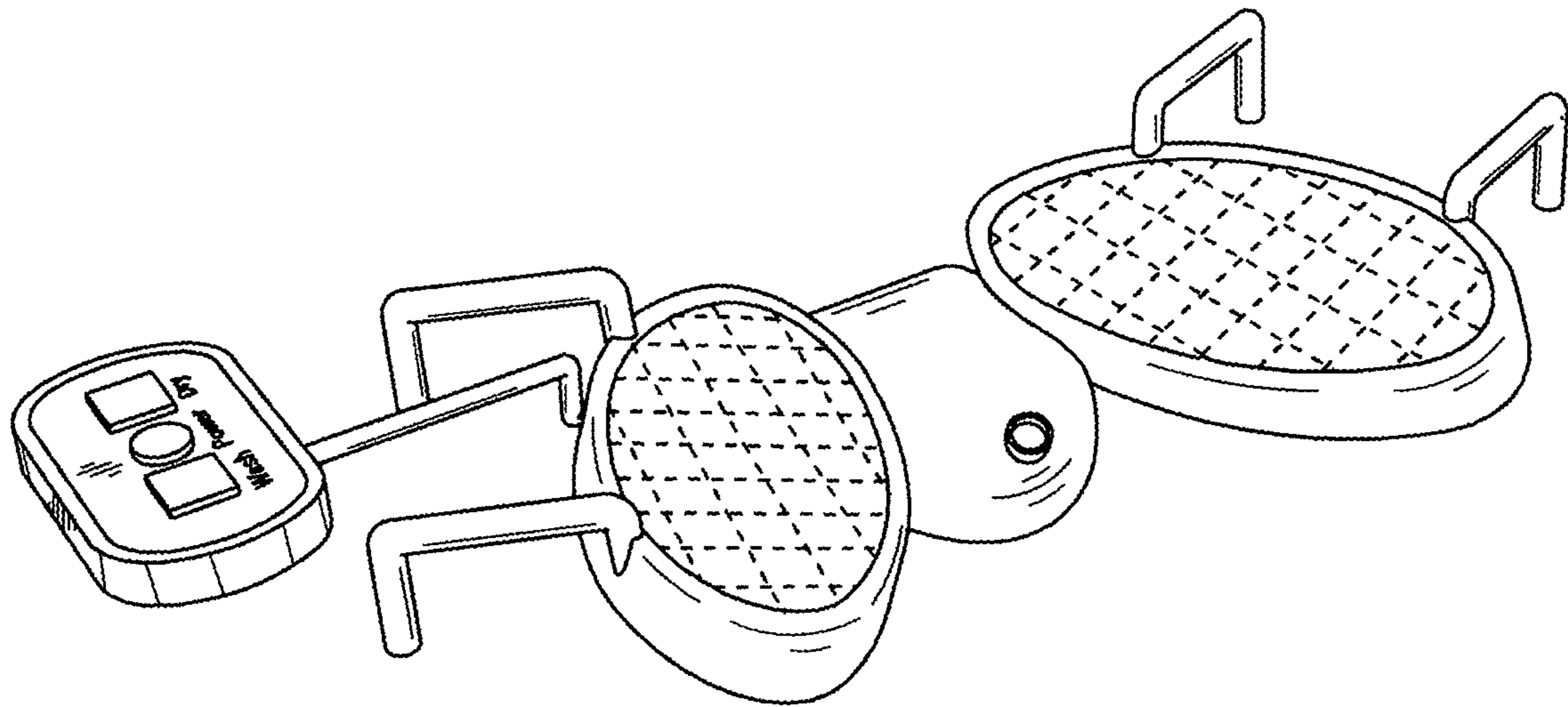


FIG. 2

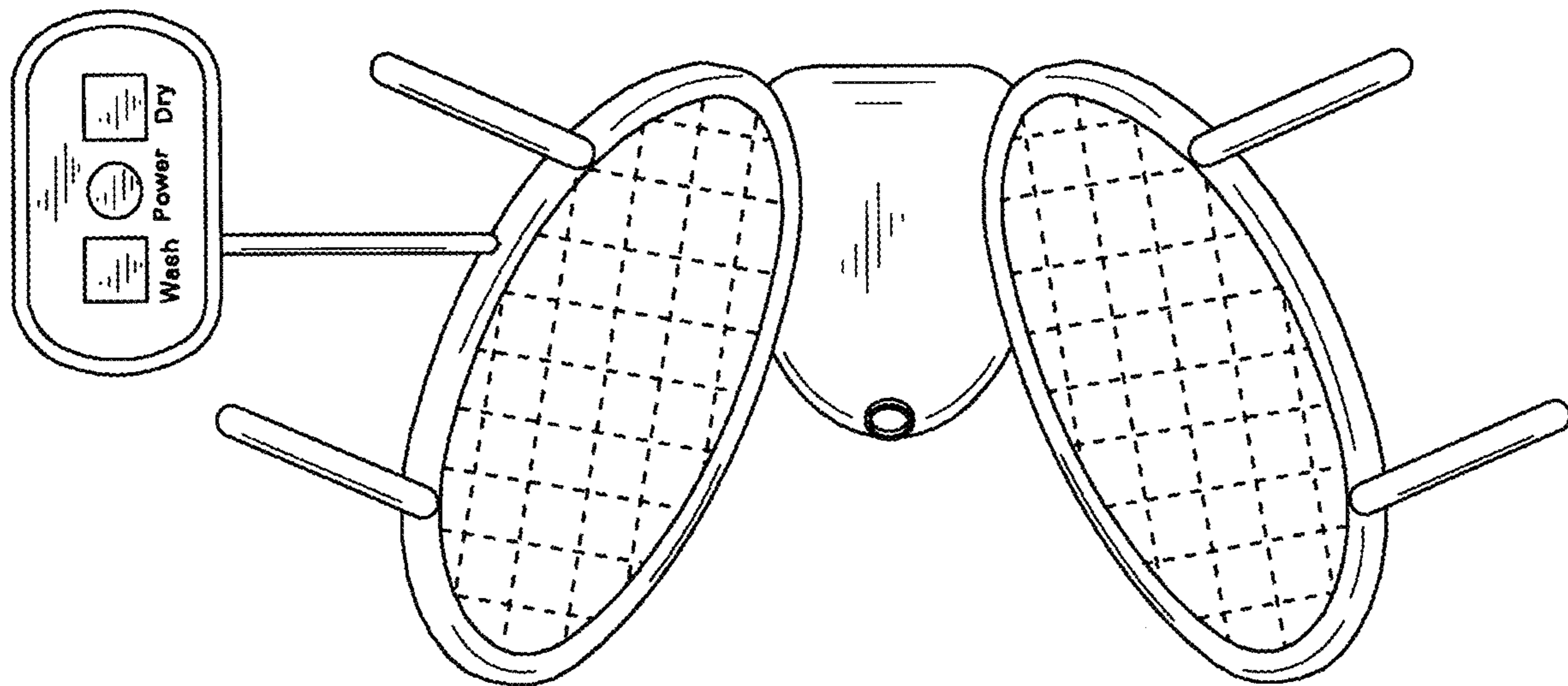


FIG. 3

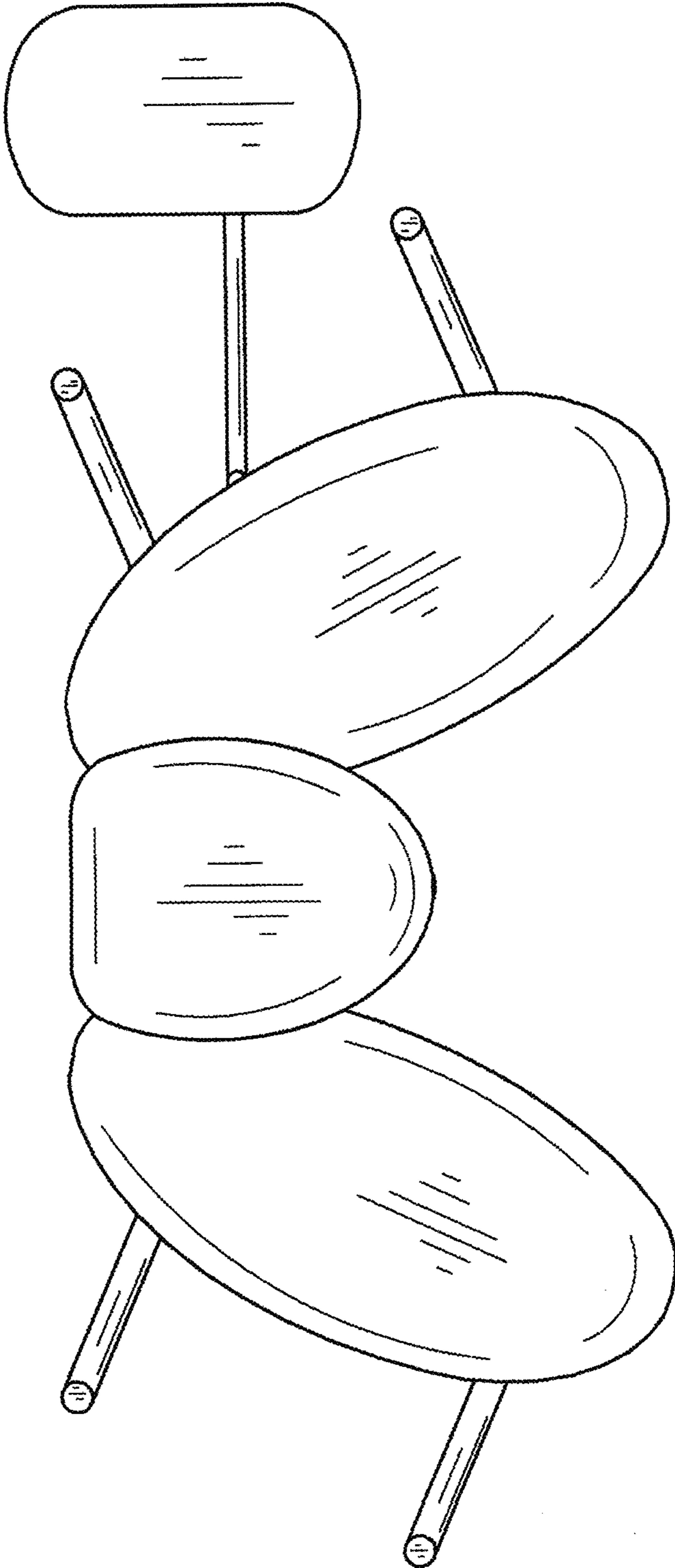


FIG. 4

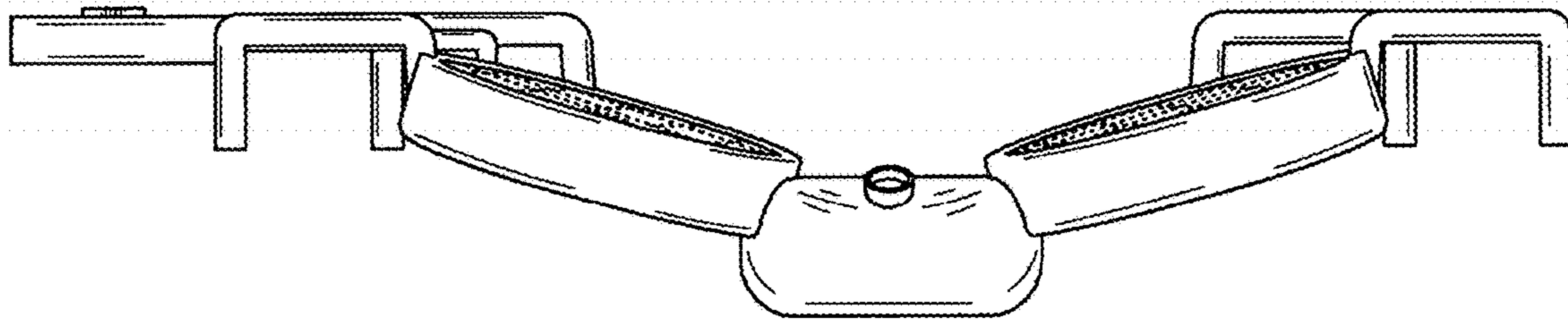


FIG. 5

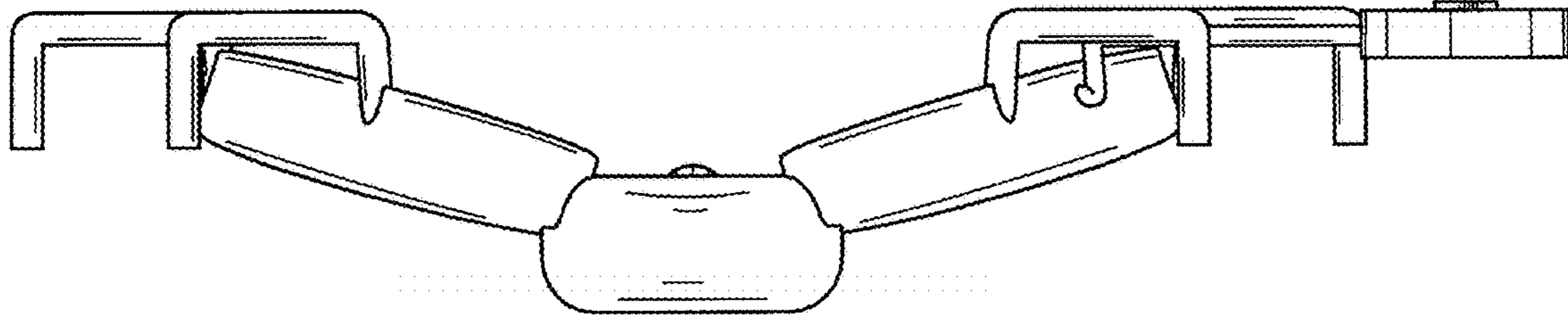


FIG. 6

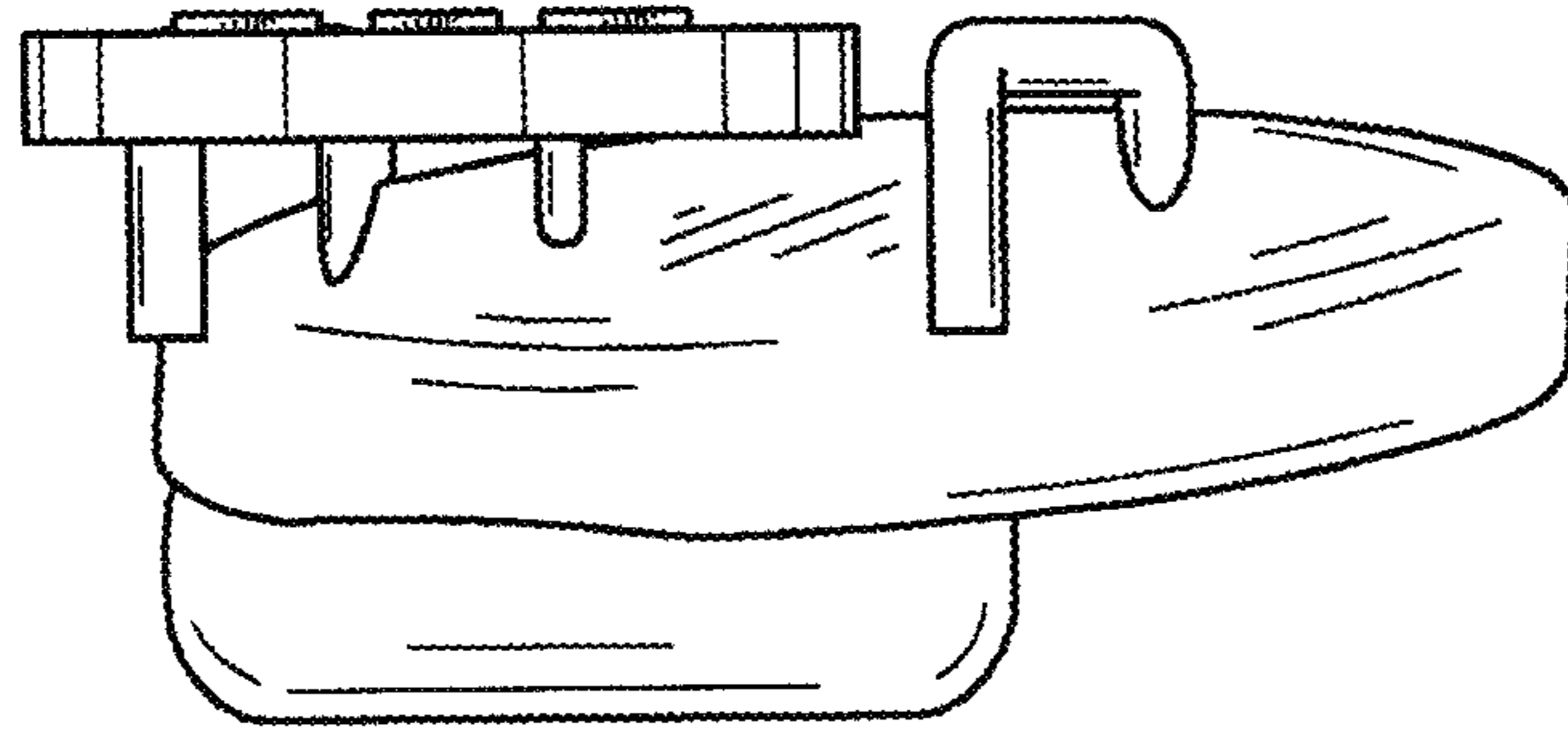


FIG. 7

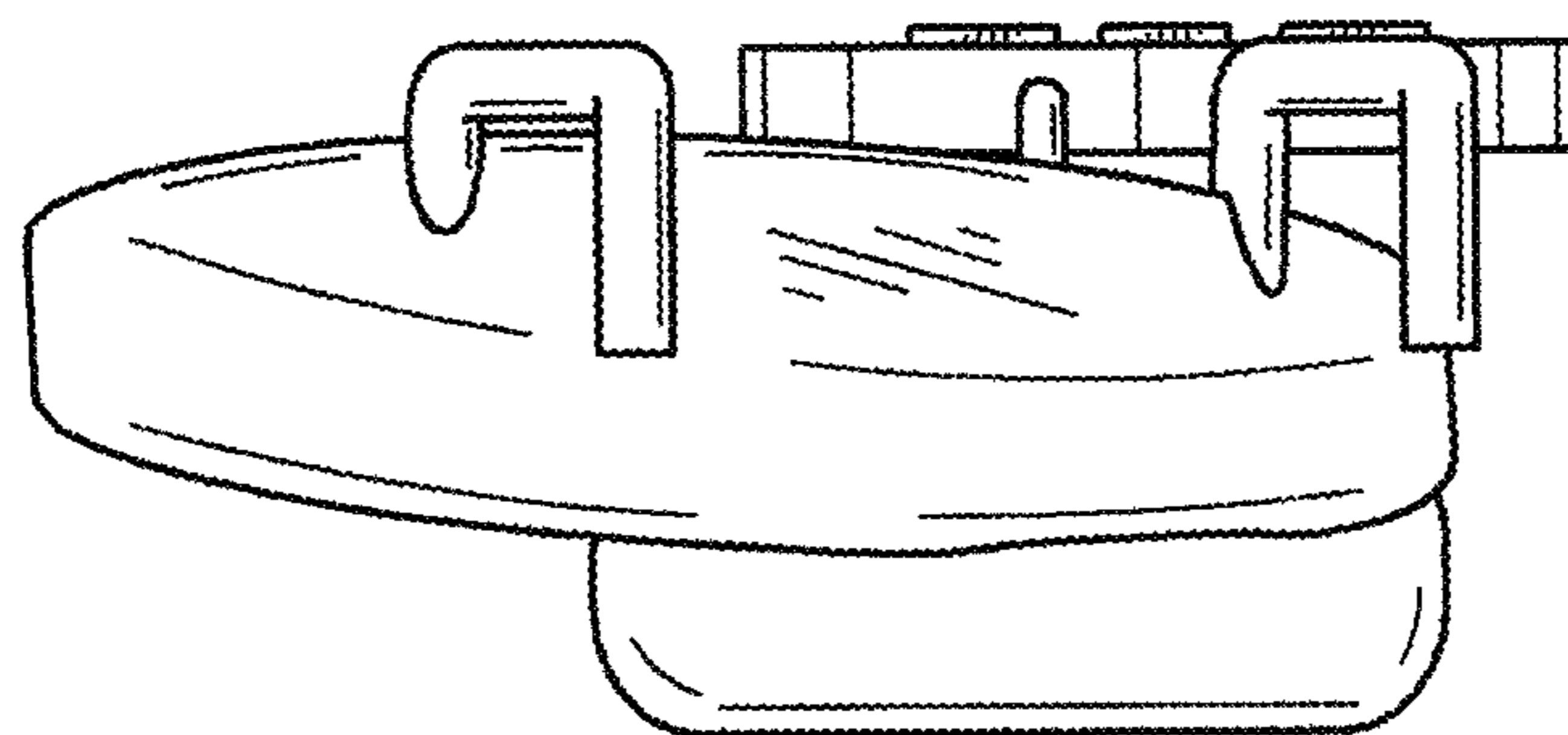


FIG. 8

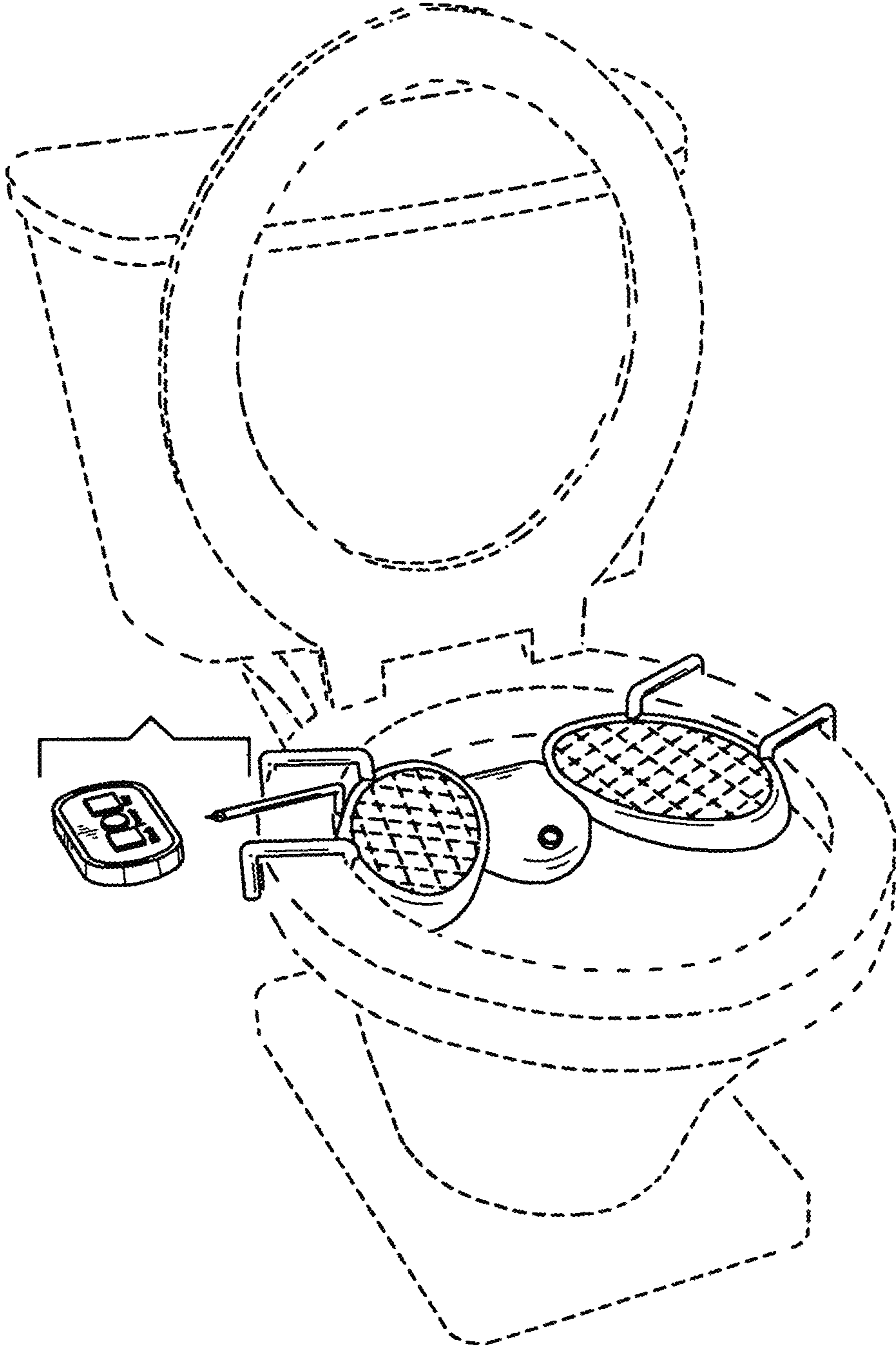


FIG. 9