



US00D888203S

(12) **United States Design Patent**
Blum

(10) **Patent No.:** **US D888,203 S**
(45) **Date of Patent:** **** Jun. 23, 2020**

- (54) **THREADED RING**
- (71) Applicant: **Neoperl GmbH**, Mullheim (DE)
- (72) Inventor: **Gerhard Blum**, Gutach (DE)
- (73) Assignee: **Neoperl GmbH**, Müllheim (DE)
- (**) Term: **15 Years**
- (21) Appl. No.: **29/680,662**
- (22) Filed: **Feb. 19, 2019**

- D791,921 S 7/2017 Blum
- 9,901,940 B2 * 2/2018 Gong B05B 17/085
- D812,722 S 3/2018 Blum
- D833,581 S 11/2018 Atwell et al.
- D846,094 S * 4/2019 Blum B05B 17/085
D23/262
- D864,702 S * 10/2019 Hagspiel D8/387
- D872,226 S * 1/2020 Stein D23/213

Related U.S. Application Data

- (62) Division of application No. 35/502,726, filed on Mar. 13, 2017 (U.S. filing date under 35 U.S.C. 384), and having an international filing date of Mar. 13, 2017, now Pat. No. Des. 846,094.
- (51) **LOC (12) Cl.** **23-01**
- (52) **U.S. Cl.**
USPC **D23/262; 259/213**
- (58) **Field of Classification Search**
USPC D23/213, 229, 233, 235, 247-249, 264;
D8/387
CPC B05B 7/0425; E03C 1/08; E03C 1/084;
E03C 1/086; E03C 2001/026
See application file for complete search history.

References Cited

U.S. PATENT DOCUMENTS

- D243,406 S 2/1977 Mooney et al.
- 5,022,552 A 6/1991 Kars
- D536,417 S 2/2007 Buttgen
- D537,916 S 3/2007 Buttgen
- D632,367 S 2/2011 Stein
- D699,816 S 2/2014 Blum
- D728,738 S 5/2015 Birmelin
- D745,641 S 12/2015 Blum
- D776,241 S 1/2017 Wu et al.

OTHER PUBLICATIONS

Semrock.com; "Sutter Threaded Rings"; [online] 'https://www.semrock.com/sutter-threaded-rings.aspx'; dated Apr. 14, 2015 (via Wayback Machine); accessed Feb. 3, 2020; 1pg. (Year: 2015).*

* cited by examiner

Primary Examiner — Keli L Hill

(74) *Attorney, Agent, or Firm* — Volpe and Koenig, P.C.

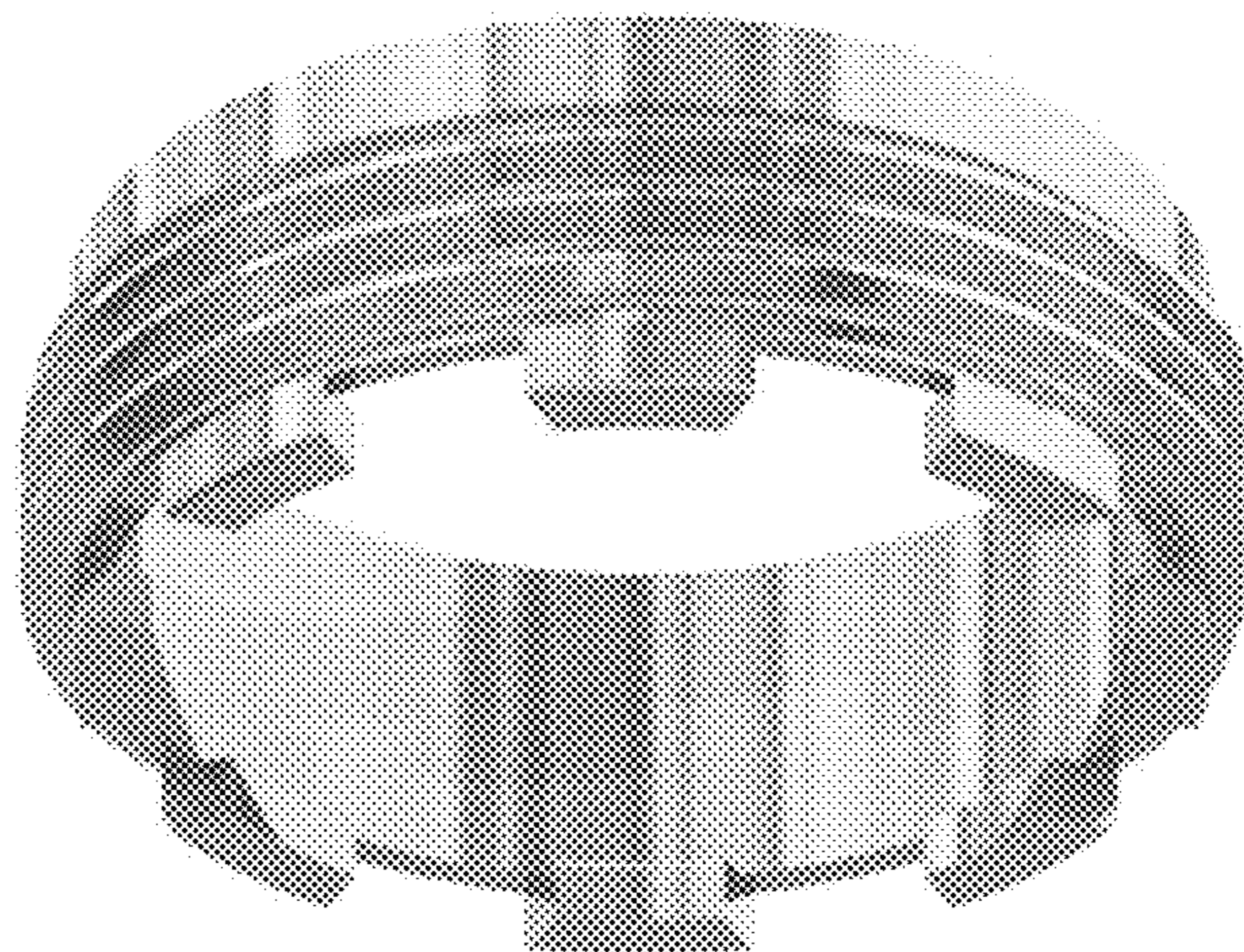
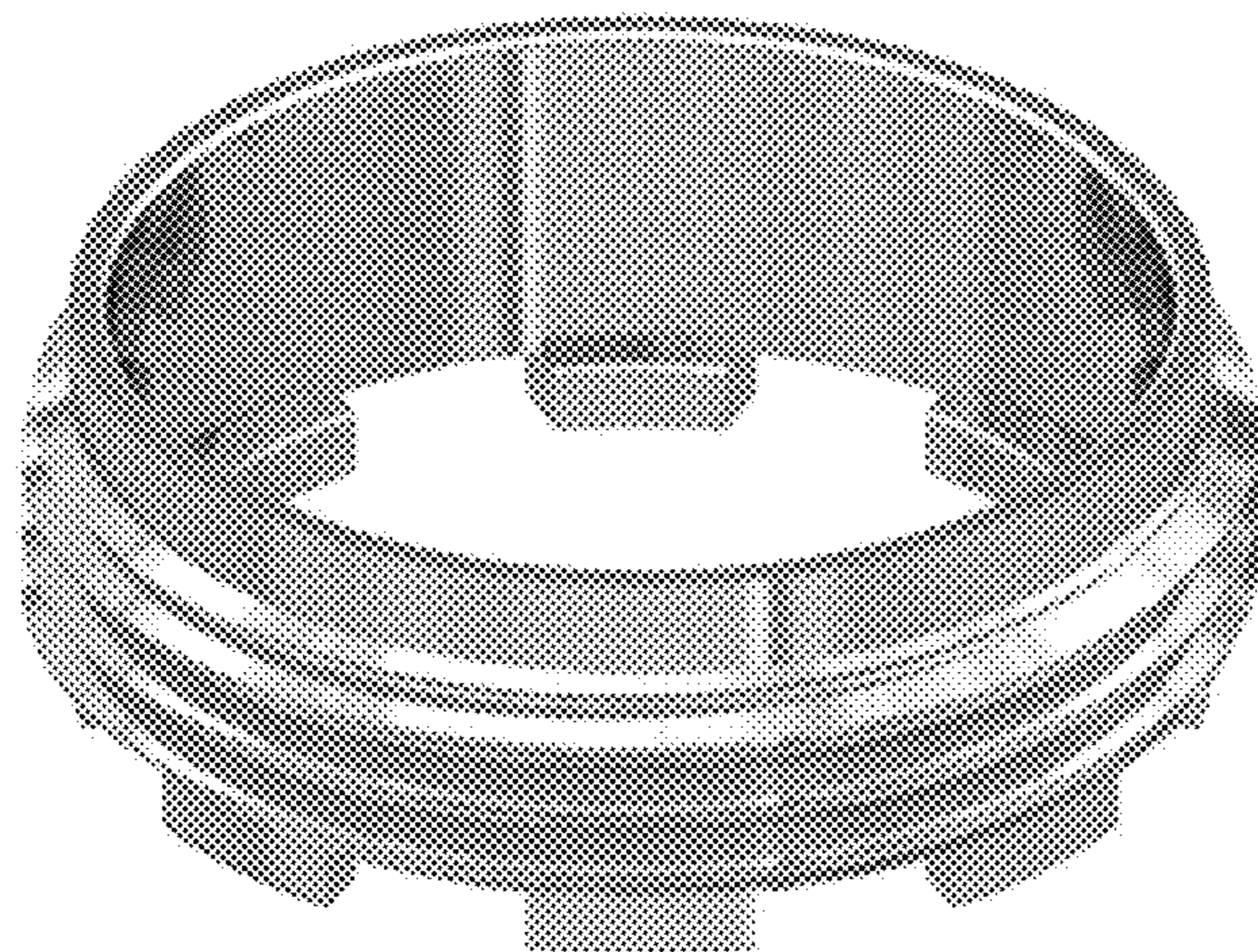
CLAIM

The ornamental design for a threaded ring, as shown and described.

DESCRIPTION

The patent or application file contains at least one drawing executed in color. Copies of this patent or patent application publication with color drawing(s) will be provided by the Office upon request and payment of the necessary fee. FIG. 1 is a top plan view of a threaded ring in accordance with my design; FIG. 2 is a top, front perspective view thereof; FIG. 3 is a bottom plan elevational view thereof; FIG. 4 is a bottom, rear perspective view thereof; FIG. 5 is a front elevational view thereof; FIG. 6 is a right side elevational view thereof; FIG. 7 is a rear elevational view thereof; and, FIG. 8 is a left side elevational view thereof.

1 Claim, 8 Drawing Sheets
(8 of 8 Drawing Sheet(s) Filed in Color)



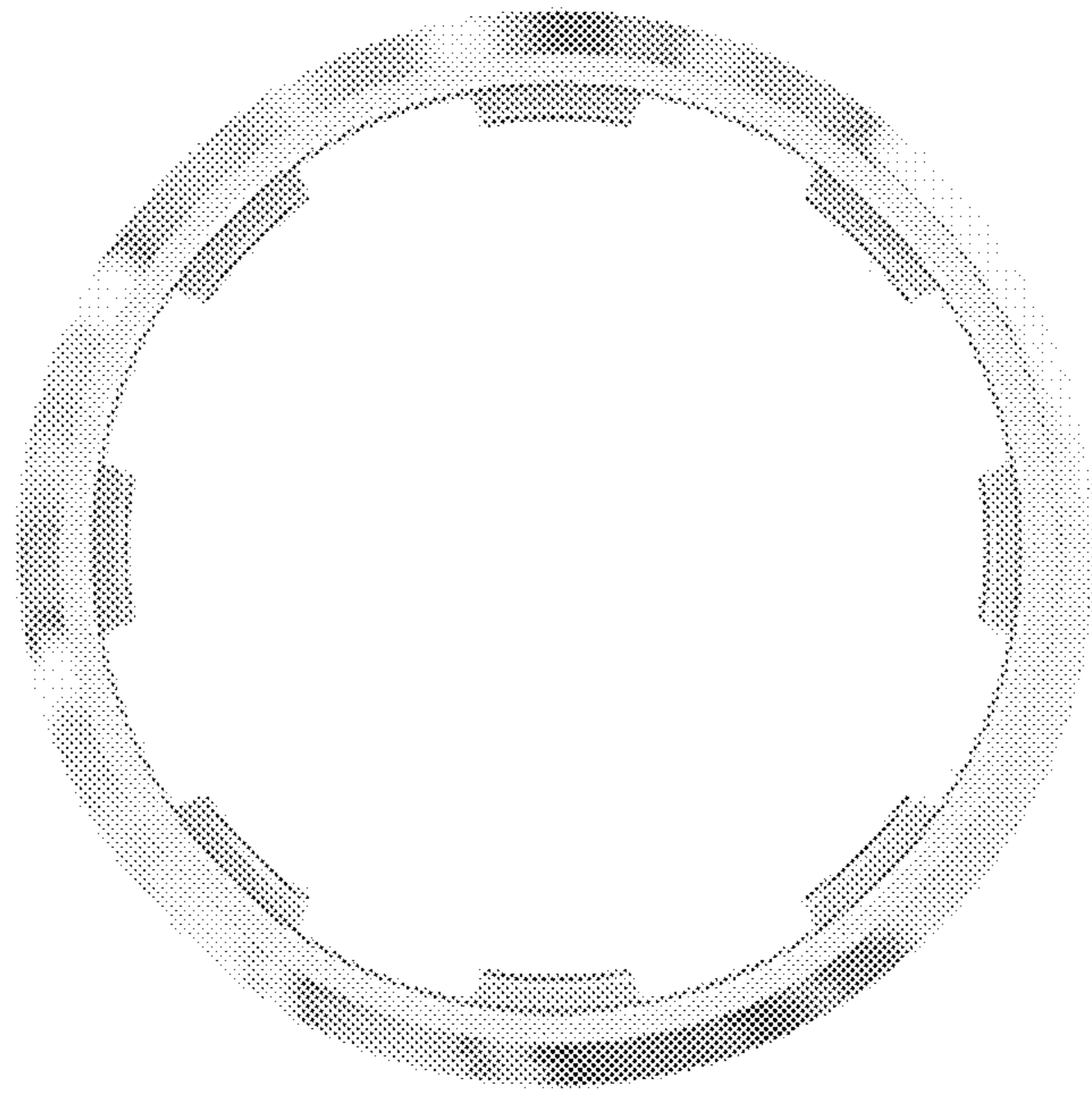


Fig. 1

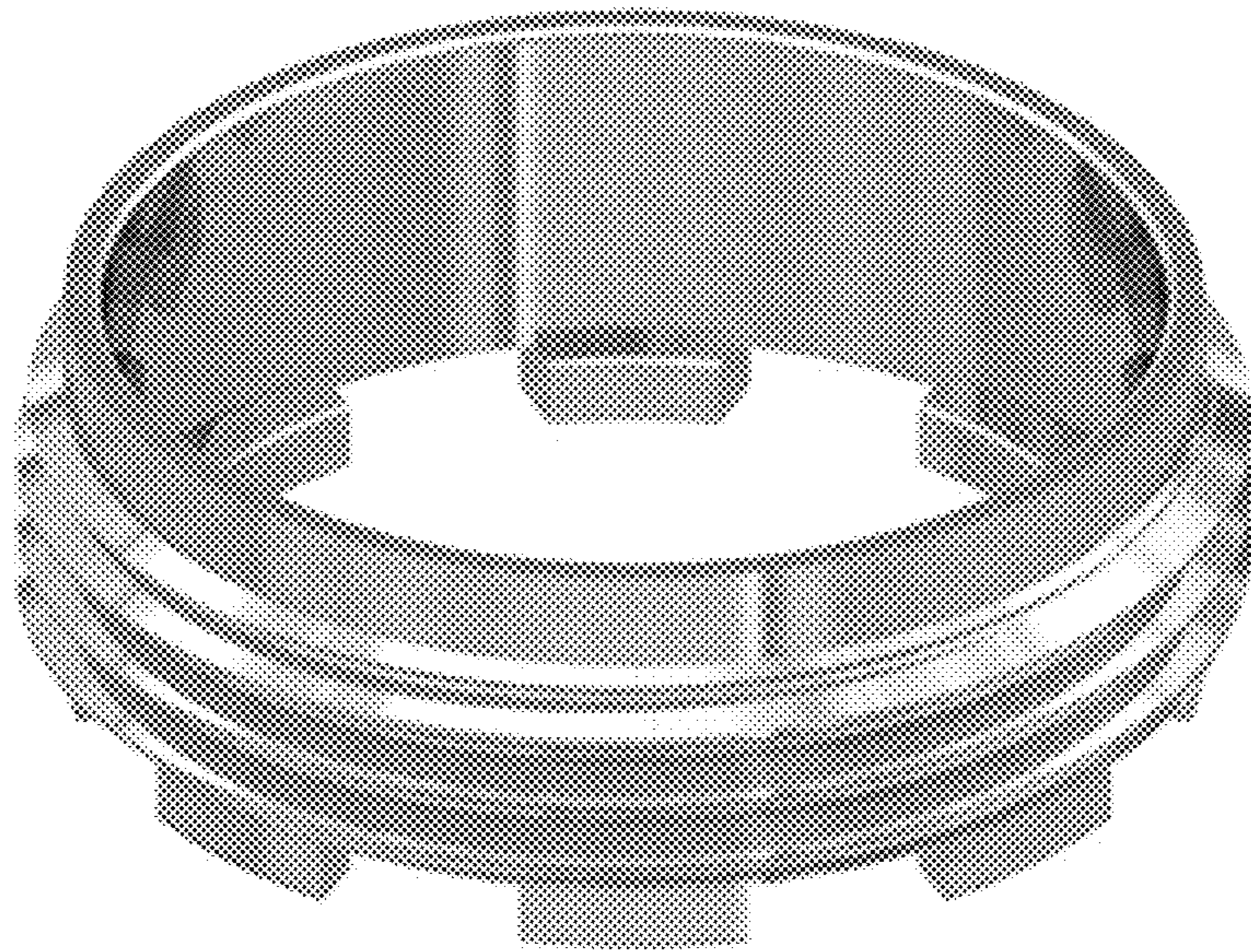


Fig. 2

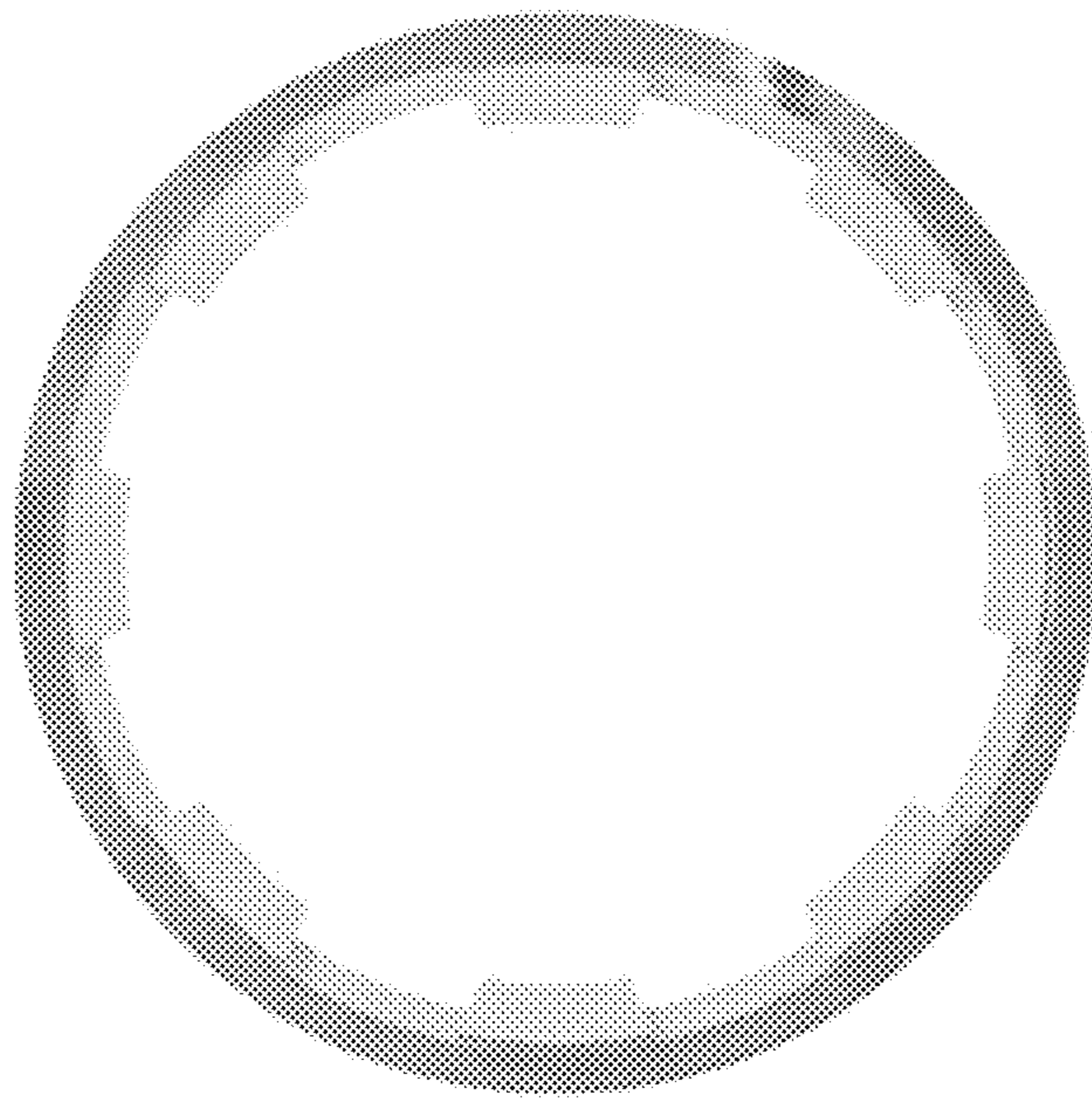


Fig. 3

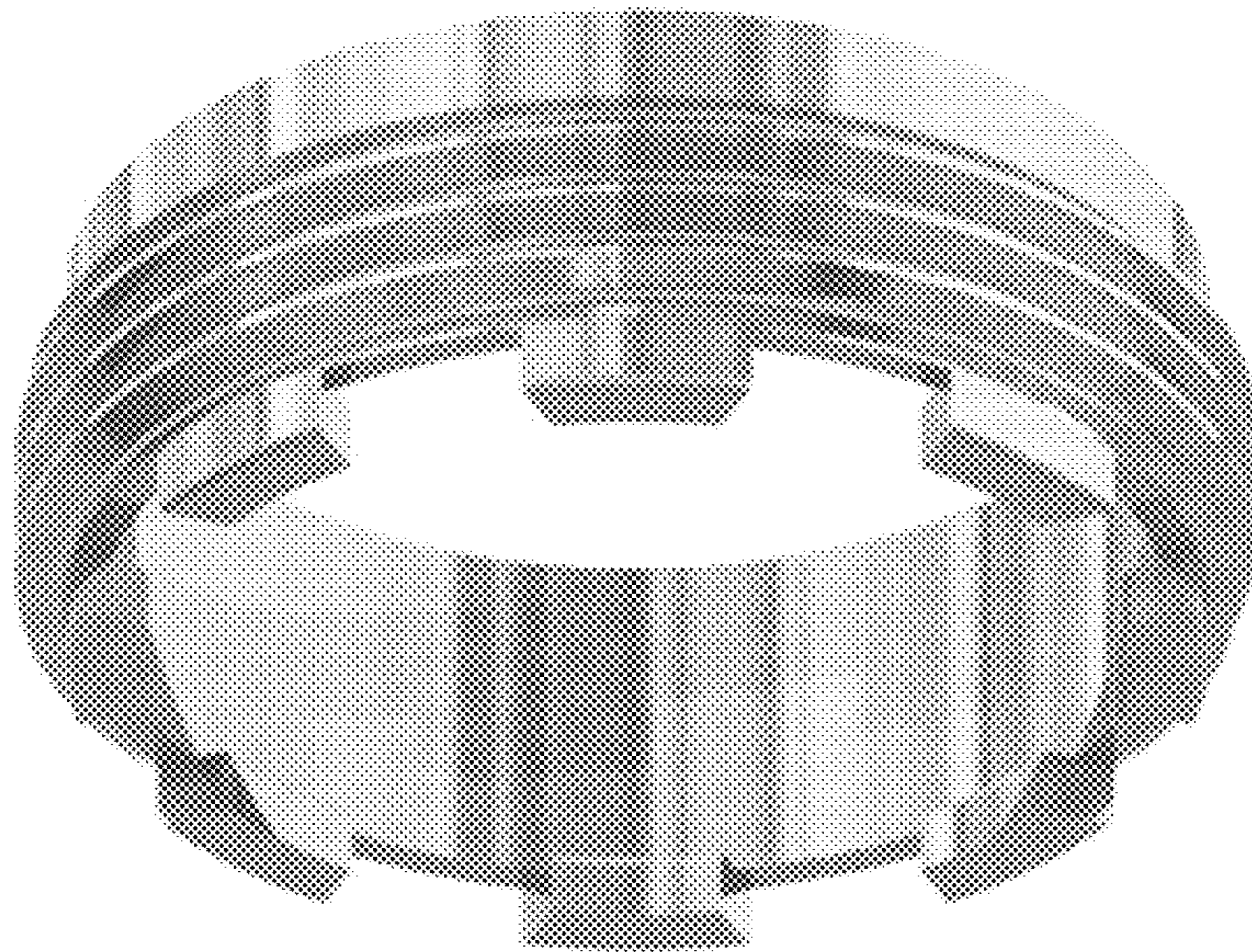


Fig. 4

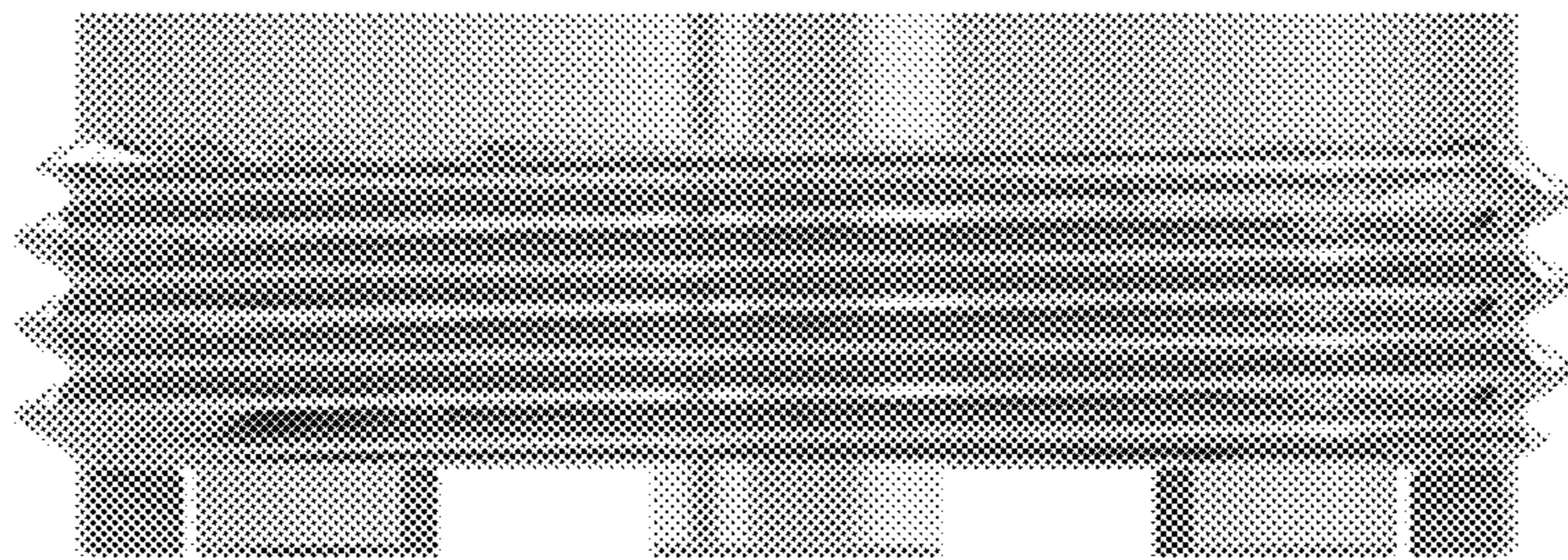


Fig. 5

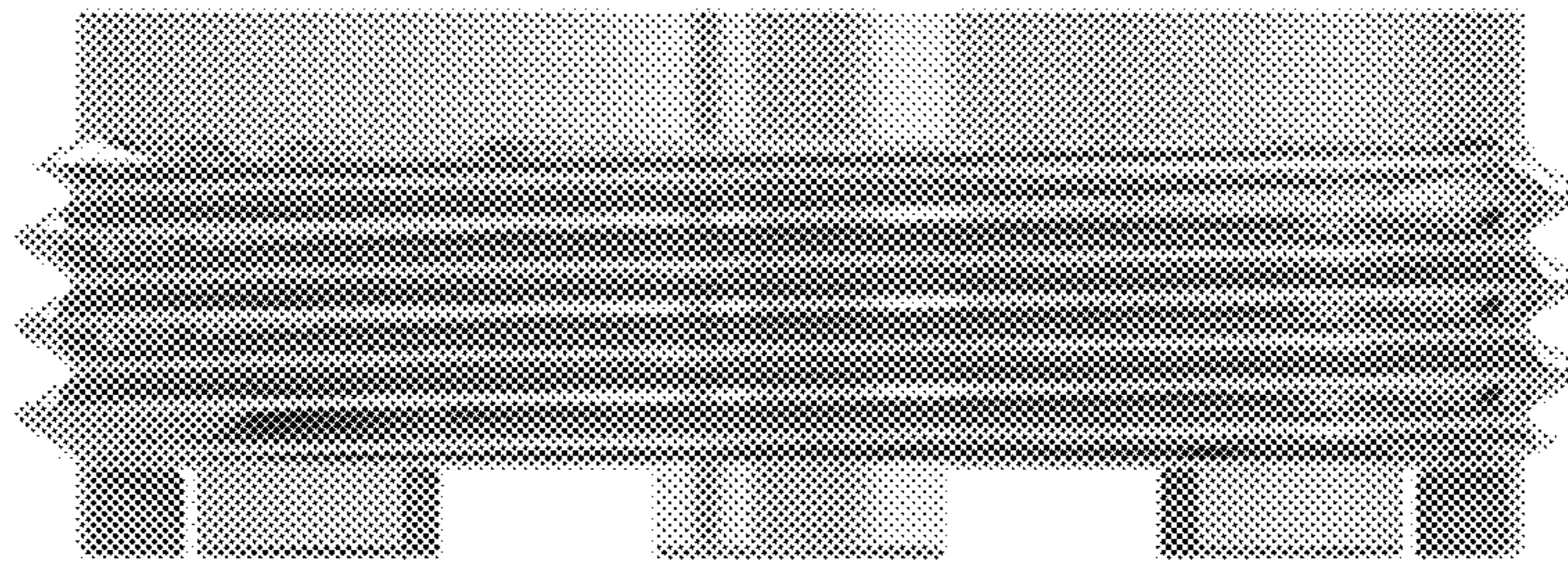


Fig. 6

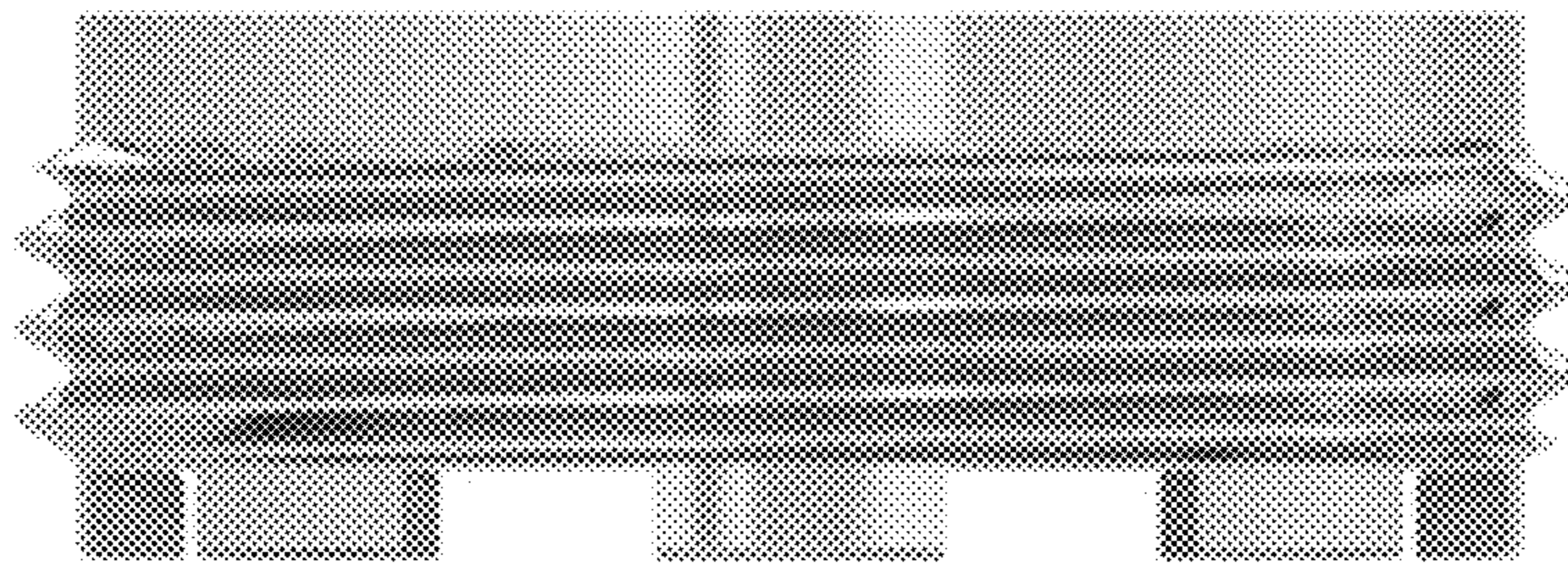


Fig. 7

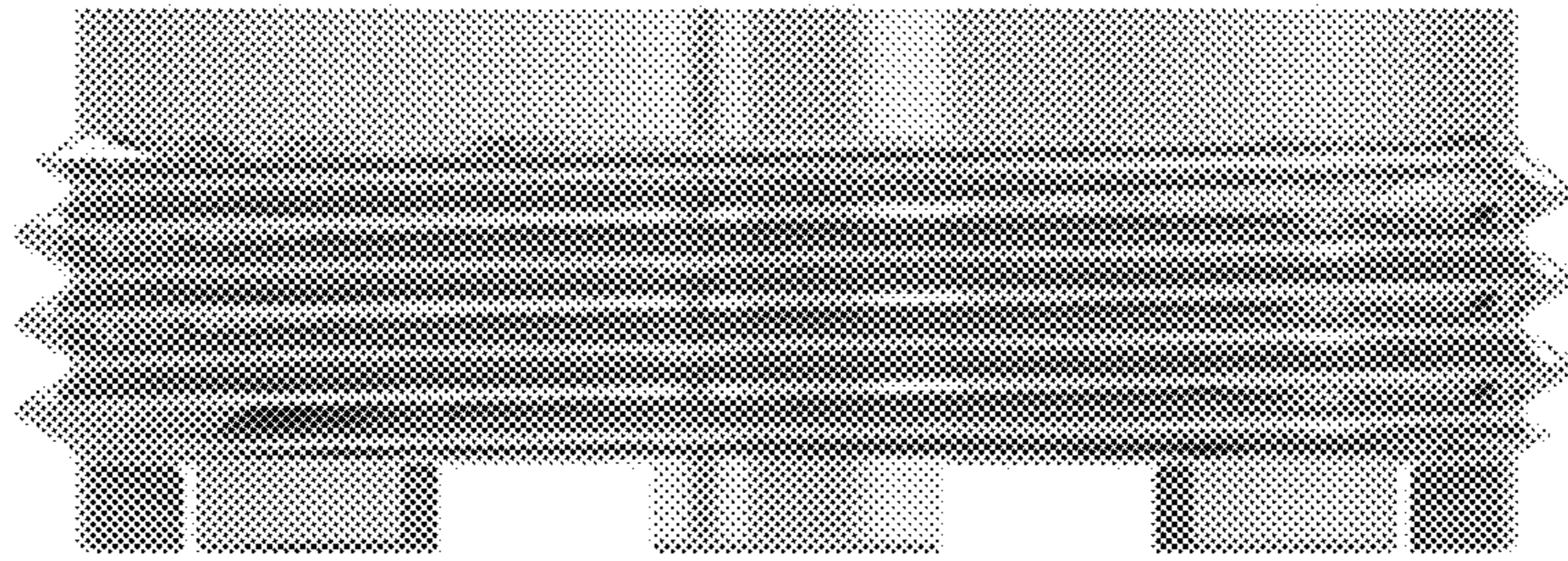


Fig. 8