



US00D888202S

(12) **United States Design Patent**  
**Garland**

(10) **Patent No.:** **US D888,202 S**  
(45) **Date of Patent:** **\*\* Jun. 23, 2020**

- (54) **SHOWER ARM**
- (71) Applicant: **DELTA FAUCET COMPANY**,  
Indianapolis, IN (US)
- (72) Inventor: **Celine Kwok Garland**, Zionsville, IN  
(US)
- (73) Assignee: **DELTA FAUCET COMPANY**,  
Indianapolis, IN (US)
- (\*\*) Term: **15 Years**
- (21) Appl. No.: **29/634,207**
- (22) Filed: **Jan. 19, 2018**
- (51) **LOC (12) Cl.** ..... **23-01**
- (52) **U.S. Cl.**  
USPC ..... **D23/255**; D23/213
- (58) **Field of Classification Search**  
USPC ..... D23/213, 223, 228, 229, 233, 237, 239,  
D23/243, 242, 249, 255, 256, 257, 259,  
D23/266, 262, 230; D6/320, 323, 328,  
D6/553, 556; D26/72, 92, 93, 142;  
D8/367  
CPC ..... Y10T 137/9464; Y10T 137/6014; E03C  
1/025; E03C 1/06; E03C 1/063; E03C  
1/066; E03C 1/044; E03C 1/042  
See application file for complete search history.

(56) **References Cited**  
U.S. PATENT DOCUMENTS

D216,972 S *	3/1970	Jacobs	.....	D23/213
D340,968 S *	11/1993	McKeone	.....	D23/255
D461,529 S *	8/2002	Gottwald	.....	D23/238
6,438,767 B1 *	8/2002	Warshawsky	.....	E03C 1/0408 4/567
D472,958 S *	4/2003	Ouyoung	.....	D23/213
D494,260 S *	8/2004	Lin	.....	D23/213

D494,261 S *	8/2004	Lin	.....	D23/213
D536,471 S *	2/2007	Matons	.....	D26/87
D647,603 S *	10/2011	Andrew	.....	D23/255
D672,636 S *	12/2012	Krumpe	.....	D6/323
D710,972 S *	8/2014	Quinn	.....	D23/213
D787,017 S *	5/2017	Tseng	.....	D23/228
D840,514 S *	2/2019	Garland	.....	D23/255

**OTHER PUBLICATIONS**

Amazon, Nuie Arm06 Chrome Curved Wall Mounted Shower Arm, posted Aug. 20, 2010, [online], [visited Oct. 16, 2019]. Internet, URL: [https://www.amazon.co.uk/ARM06-Chrome-Curved-Mounted-Shower/dp/B00544RX7U/ref=sr\\_1\\_133?keywords=shower+arm&qid=1571241138&sr=8-133](https://www.amazon.co.uk/ARM06-Chrome-Curved-Mounted-Shower/dp/B00544RX7U/ref=sr_1_133?keywords=shower+arm&qid=1571241138&sr=8-133) (Year: 2010).\*

\* cited by examiner

*Primary Examiner* — Sheryl Lane  
*Assistant Examiner* — Samantha N Wood  
(74) *Attorney, Agent, or Firm* — Nirav D. Parikh; Edgar A. Zarins

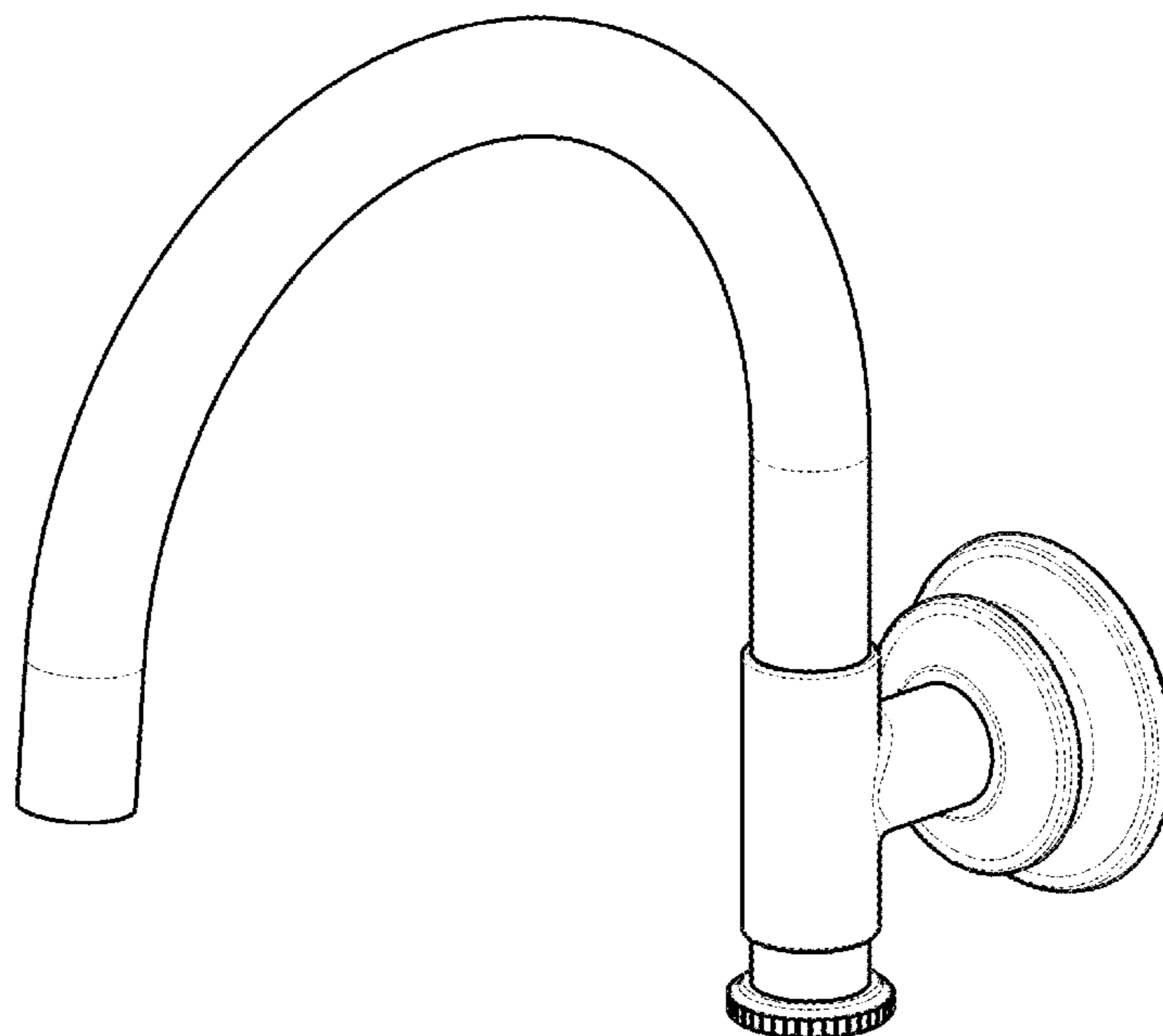
(57) **CLAIM**

The ornamental design for a shower arm, as shown and described.

**DESCRIPTION**

FIG. 1 is a front perspective view of a shower arm showing my new design;  
FIG. 2 is a rear perspective view thereof;  
FIG. 3 is a front elevational view thereof;  
FIG. 4 is a left side view thereof;  
FIG. 5 is a rear view thereof;  
FIG. 6 is a right side view thereof;  
FIG. 7 is a top plan view thereof; and,  
FIG. 8 is a bottom view thereof.

**1 Claim, 4 Drawing Sheets**



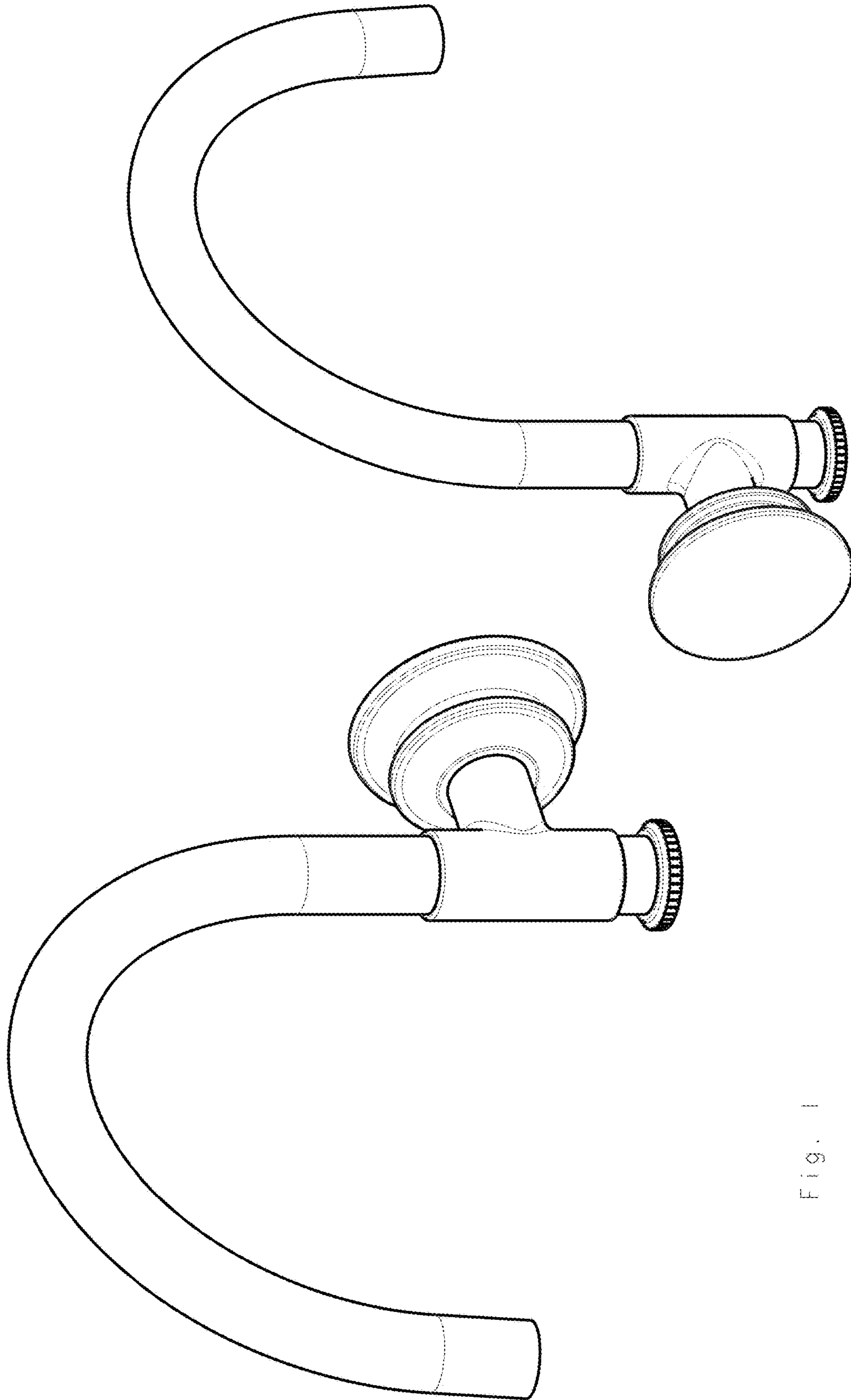


Fig. 1

Fig. 2

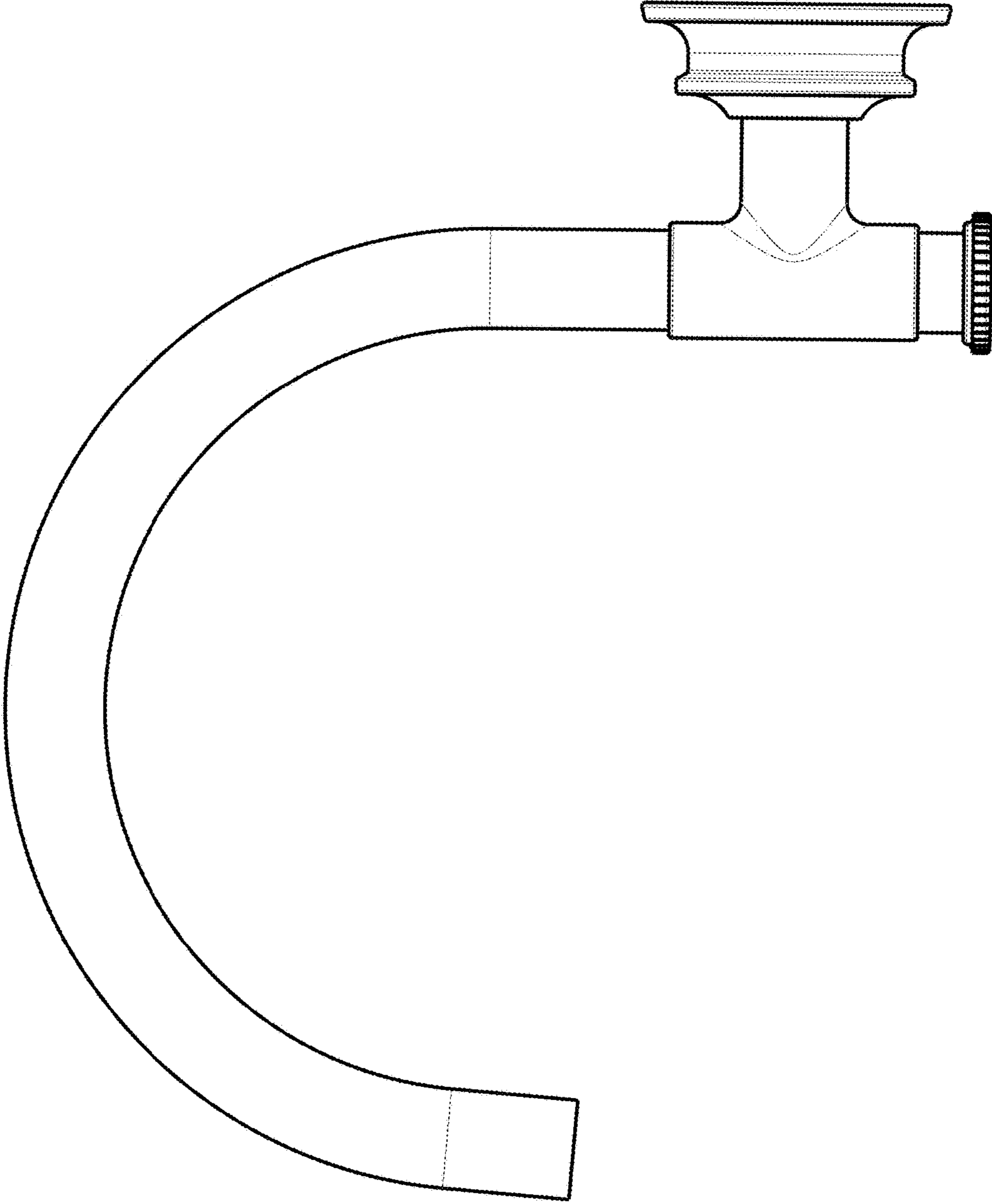


FIG. 3

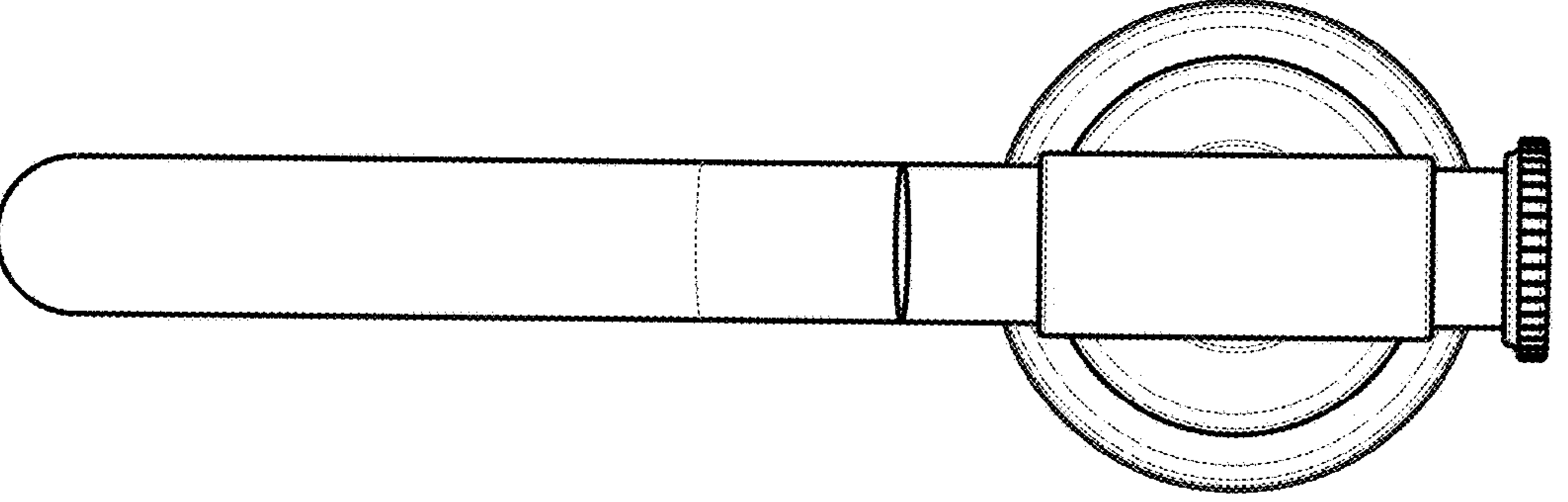


FIG. 4

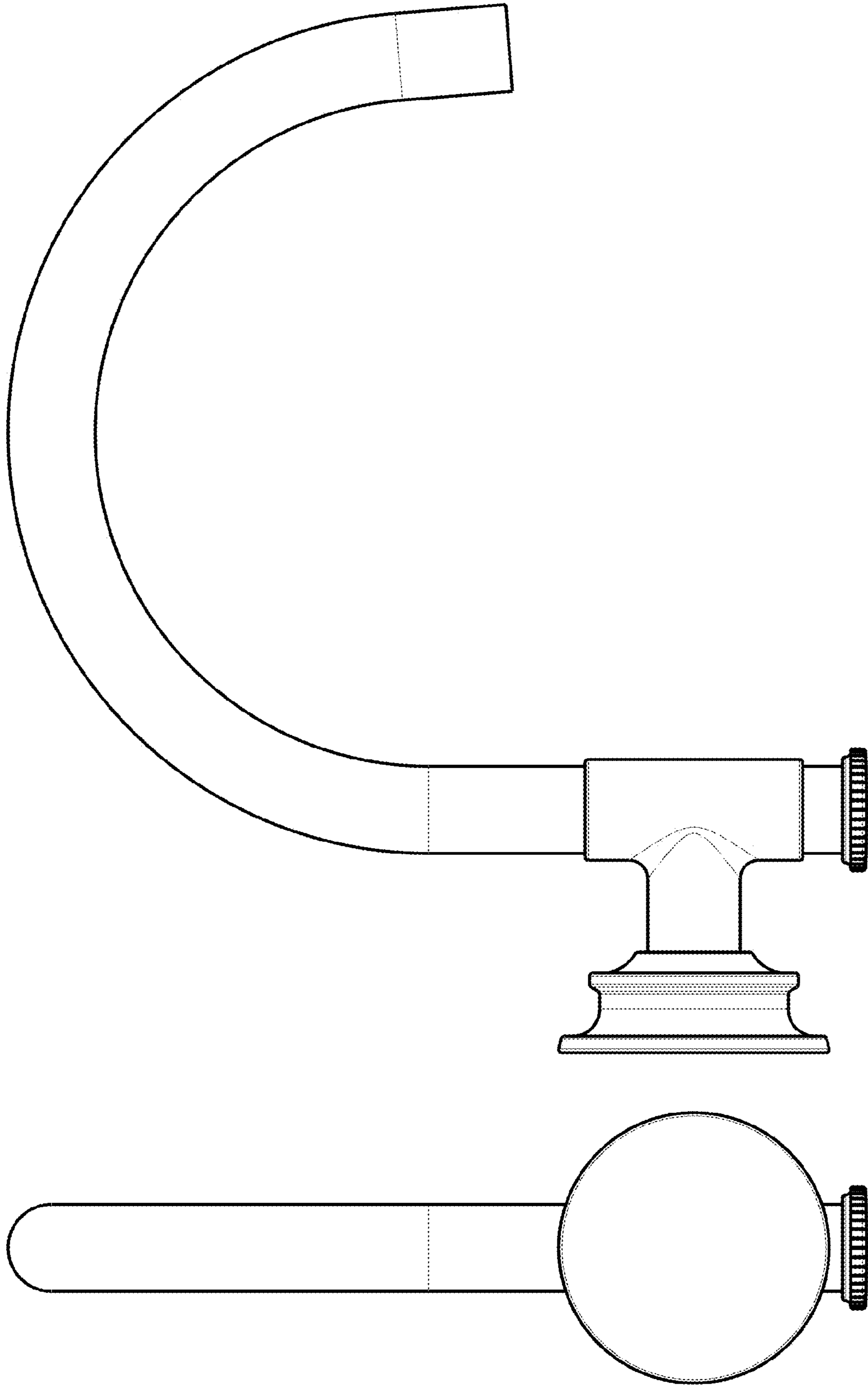


FIG. 6

FIG. 5

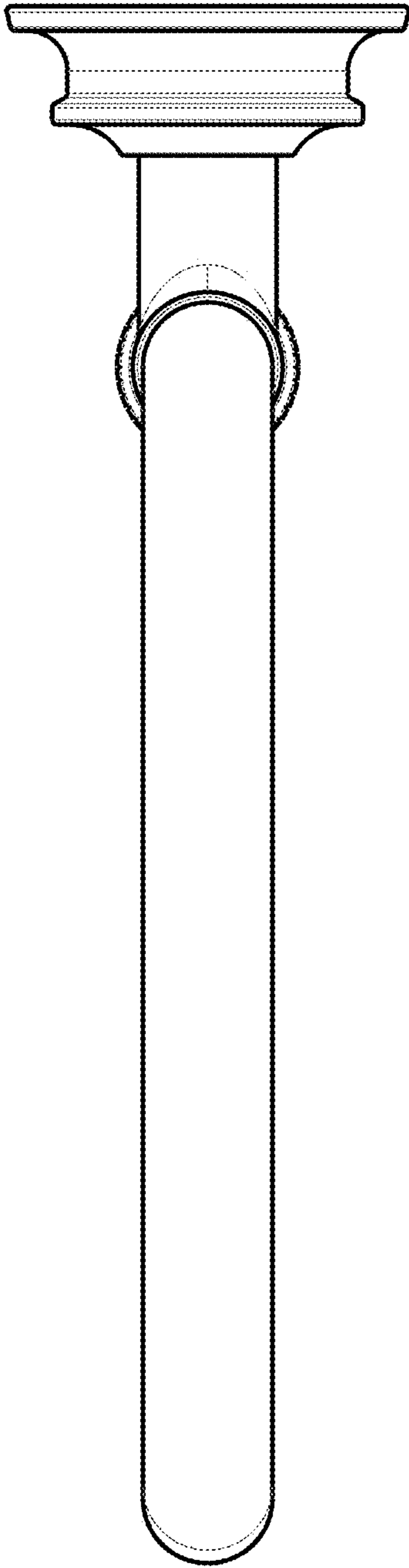


FIG. 7

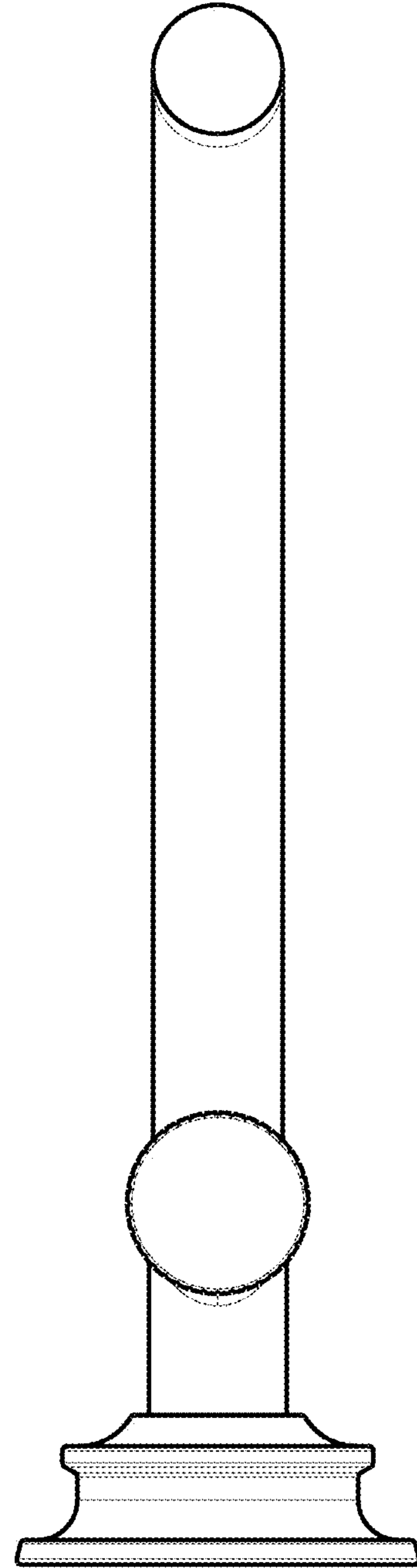


FIG. 8