



US00D888201S

(12) **United States Design Patent**
Eads

(10) **Patent No.:** **US D888,201 S**
(45) **Date of Patent:** **** Jun. 23, 2020**

(54) **FAUCET HANDLE**
(71) Applicant: **DELTA FAUCET COMPANY,**
Indianapolis, IN (US)
(72) Inventor: **Thad Eads,** Urbana, IN (US)
(73) Assignee: **DELTA FAUCET COMPANY,**
Indianapolis, IN (US)
(**) Term: **15 Years**

D648,829 S * 11/2011 Gao D23/252
D659,802 S * 5/2012 McKeone D23/252
D661,374 S * 6/2012 Slothower D23/252
D685,882 S * 7/2013 Garland D23/252
D743,507 S * 11/2015 Georgeson D23/252
D755,353 S * 5/2016 Ingels D23/255

* cited by examiner

Primary Examiner — Sheryl Lane
Assistant Examiner — Samantha N Wood
(74) *Attorney, Agent, or Firm* — Nirav D. Parikh; Edgar
A. Zarins

(21) Appl. No.: **29/642,238**
(22) Filed: **Mar. 28, 2018**
(51) **LOC (12) Cl.** **23-01**
(52) **U.S. Cl.**
USPC **D23/252**
(58) **Field of Classification Search**
USPC D23/238, 239, 240, 241, 242, 243, 249,
D23/250, 252, 255, 257; D8/350, 353,
D8/307
CPC Y10T 137/9464; Y10T 137/6014; Y10T
137/0491; E03C 1/02; E03C 1/04; E03C
1/0404; E03C 1/042
See application file for complete search history.

(56) **References Cited**
U.S. PATENT DOCUMENTS

D428,474 S * 7/2000 Milrud D23/252
D579,523 S * 10/2008 Montgomery D23/252

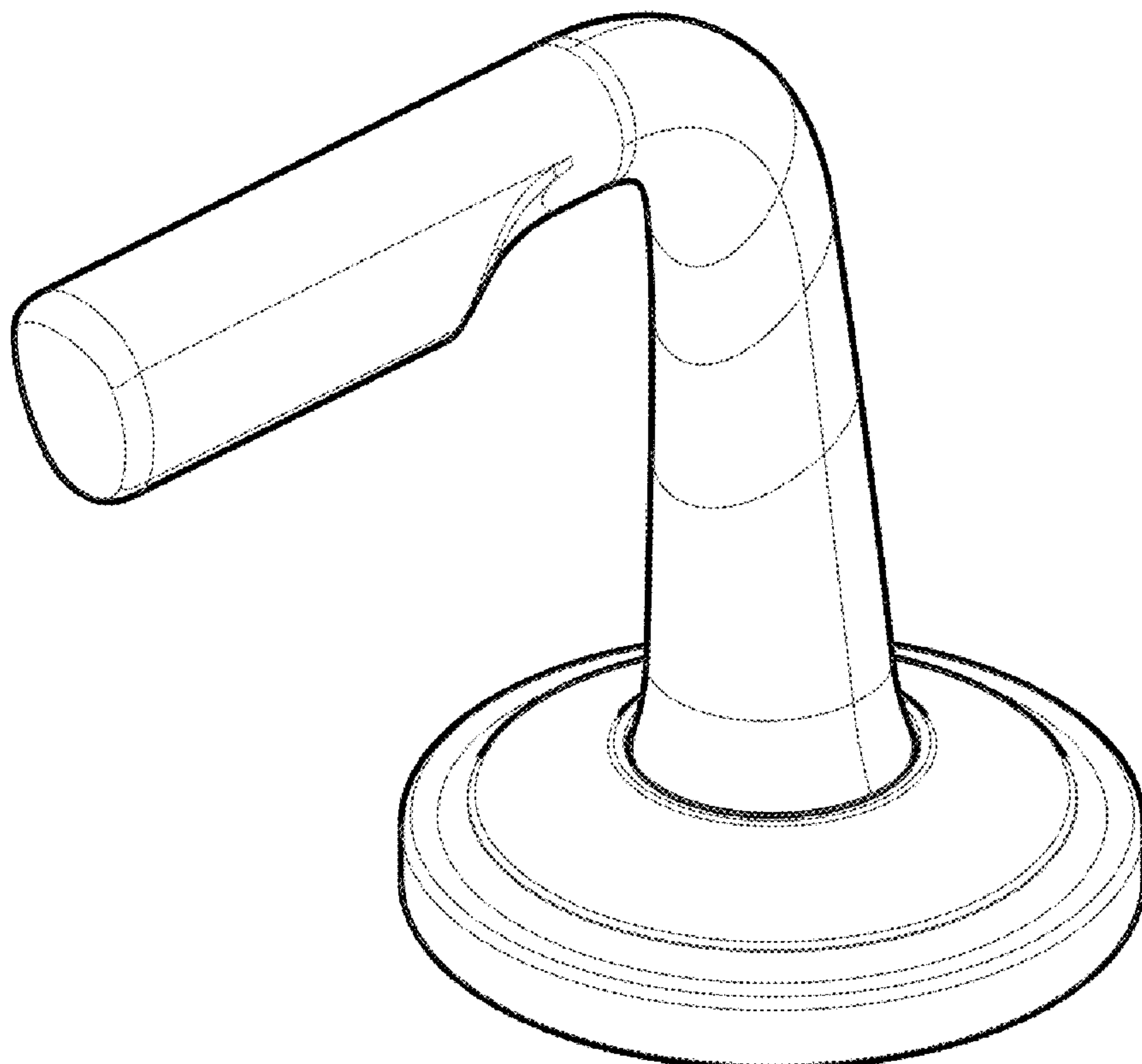
(57) **CLAIM**

The ornamental design for a faucet handle, as shown and described.

DESCRIPTION

FIG. 1 is a first perspective view of a faucet handle showing my new design;
FIG. 2 is a second perspective view thereof;
FIG. 3 is a first side view thereof;
FIG. 4 is a left side view thereof;
FIG. 5 is a second side view thereof;
FIG. 6 is a right side view thereof; and,
FIG. 7 is a top plan view thereof.

1 Claim, 4 Drawing Sheets



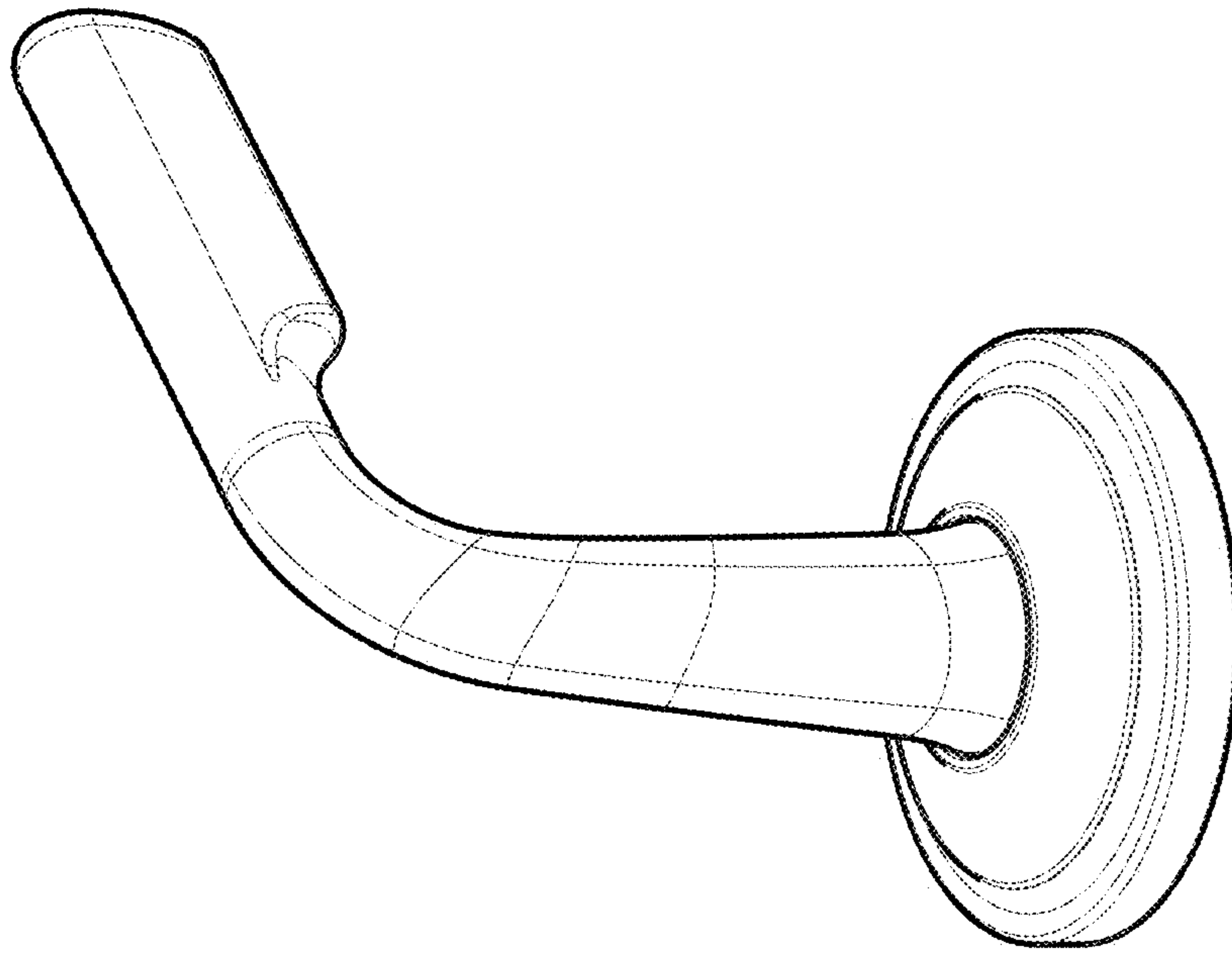


Fig. 2

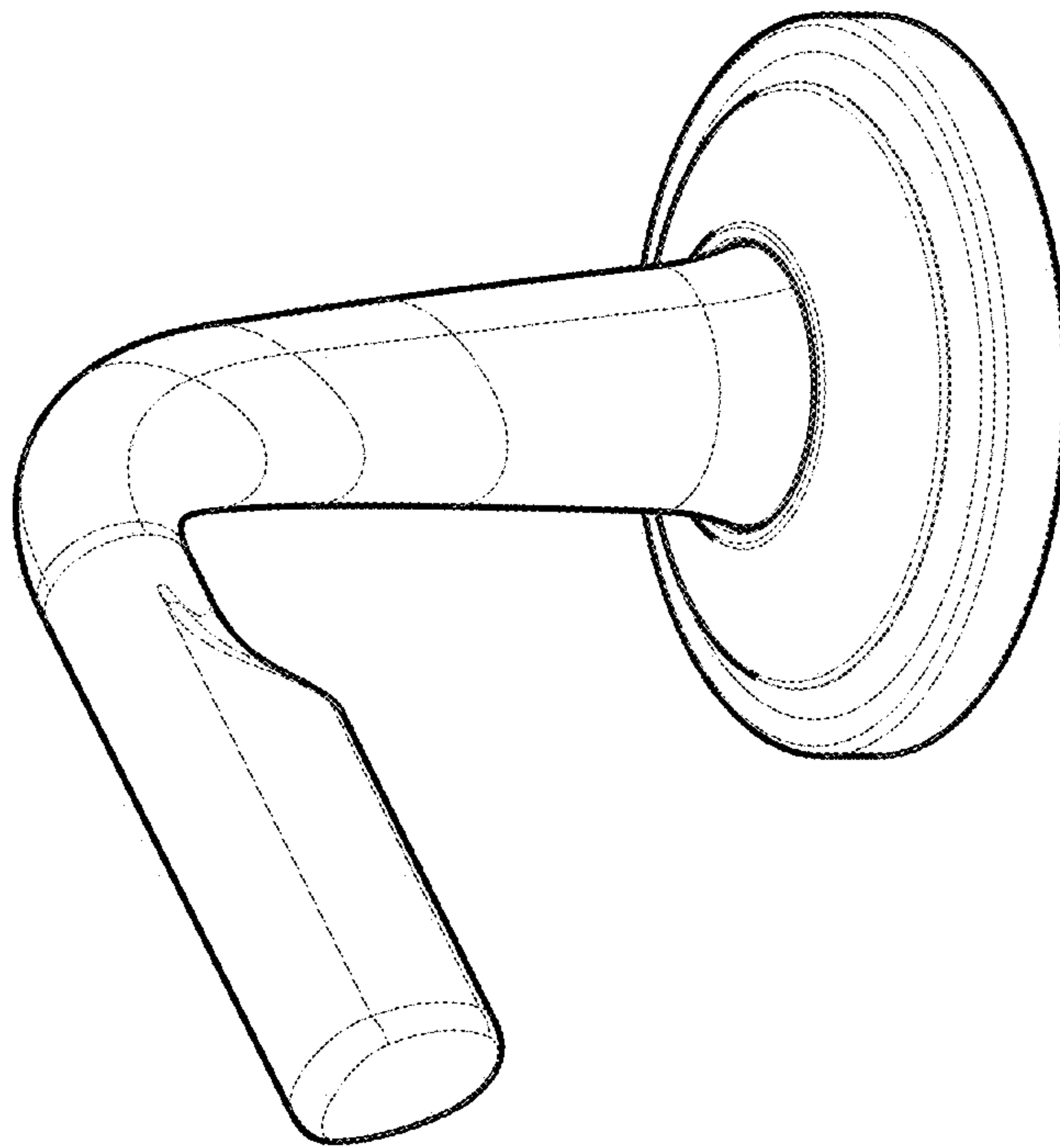


Fig. 1

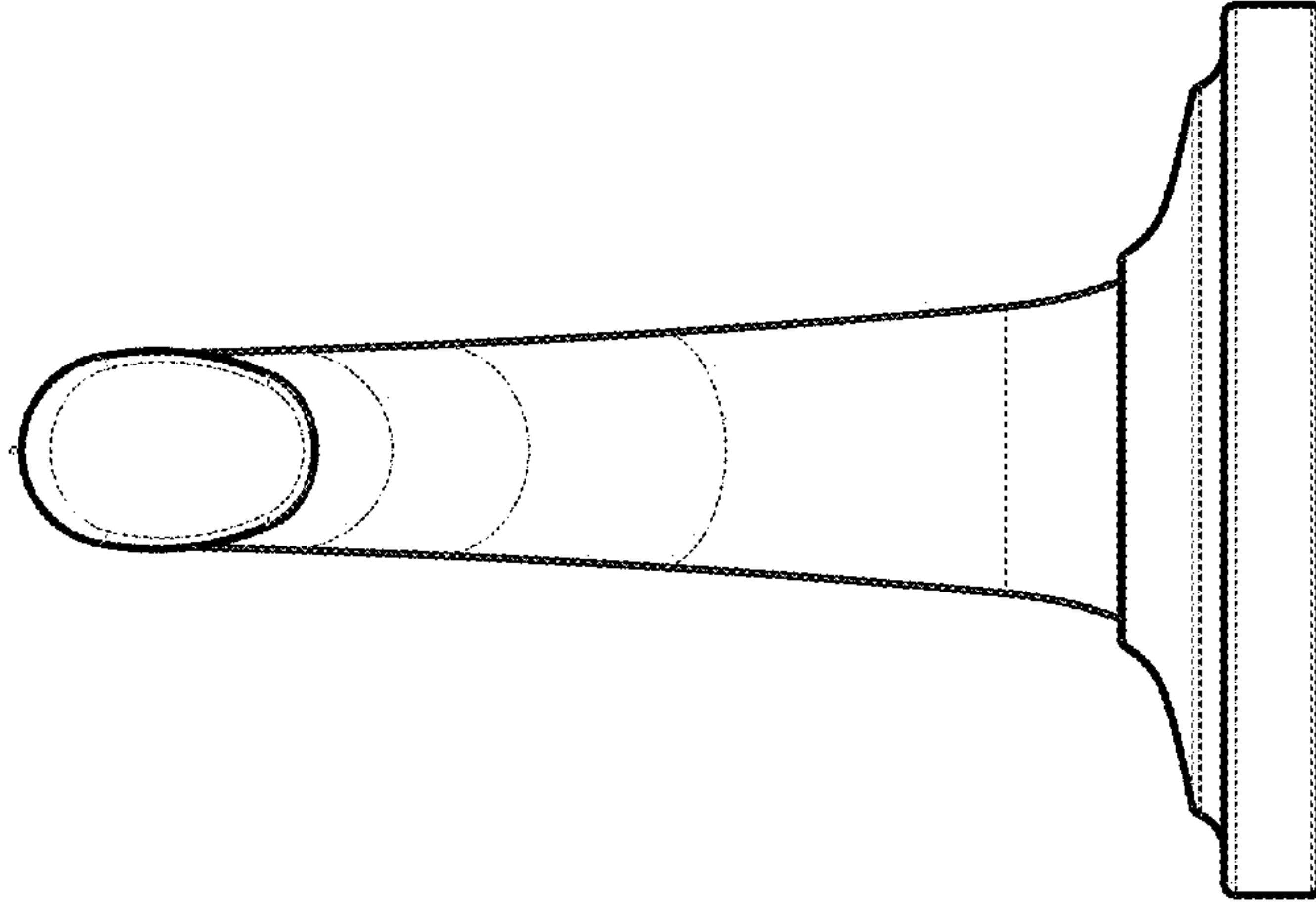


Fig. 4

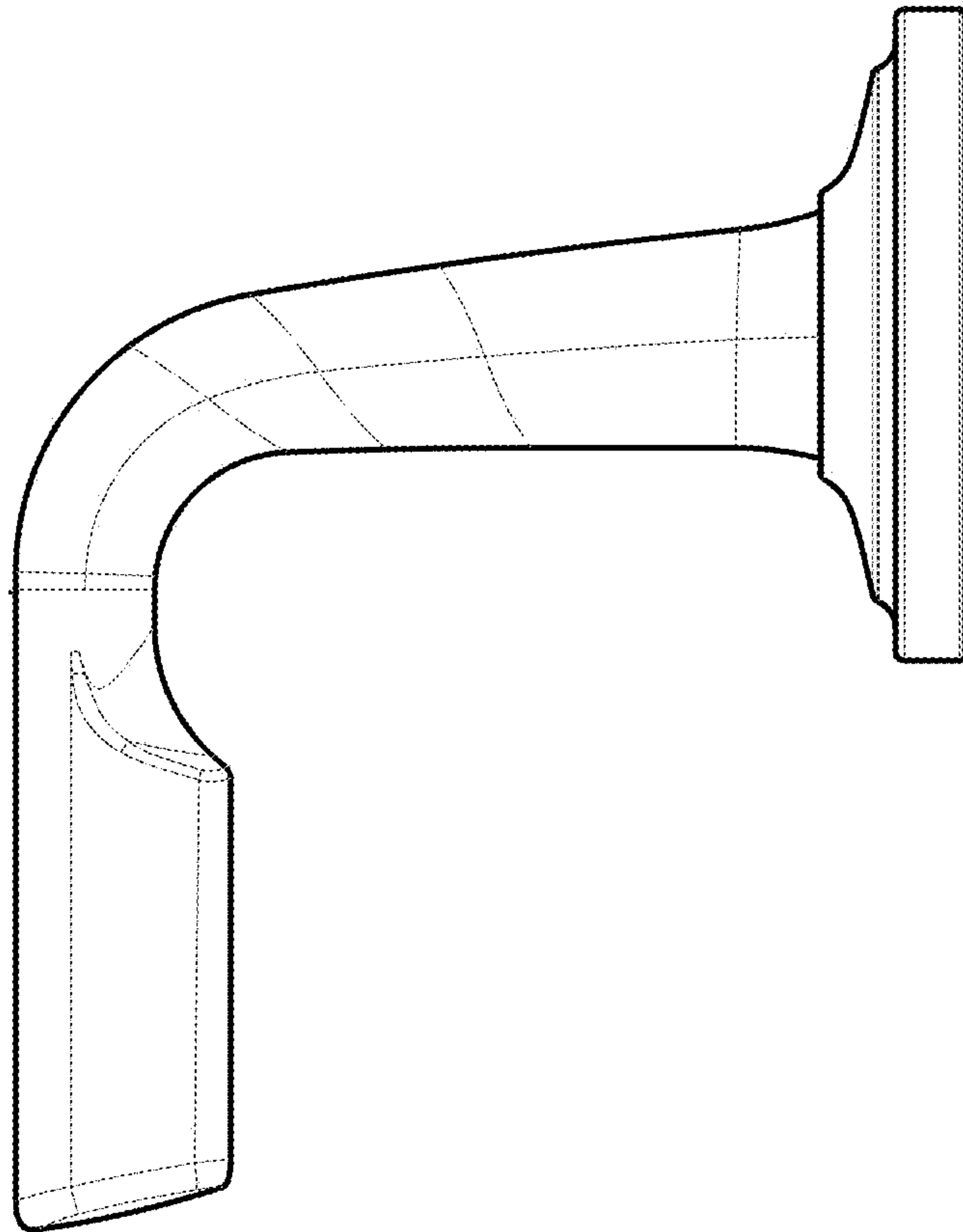


Fig. 3

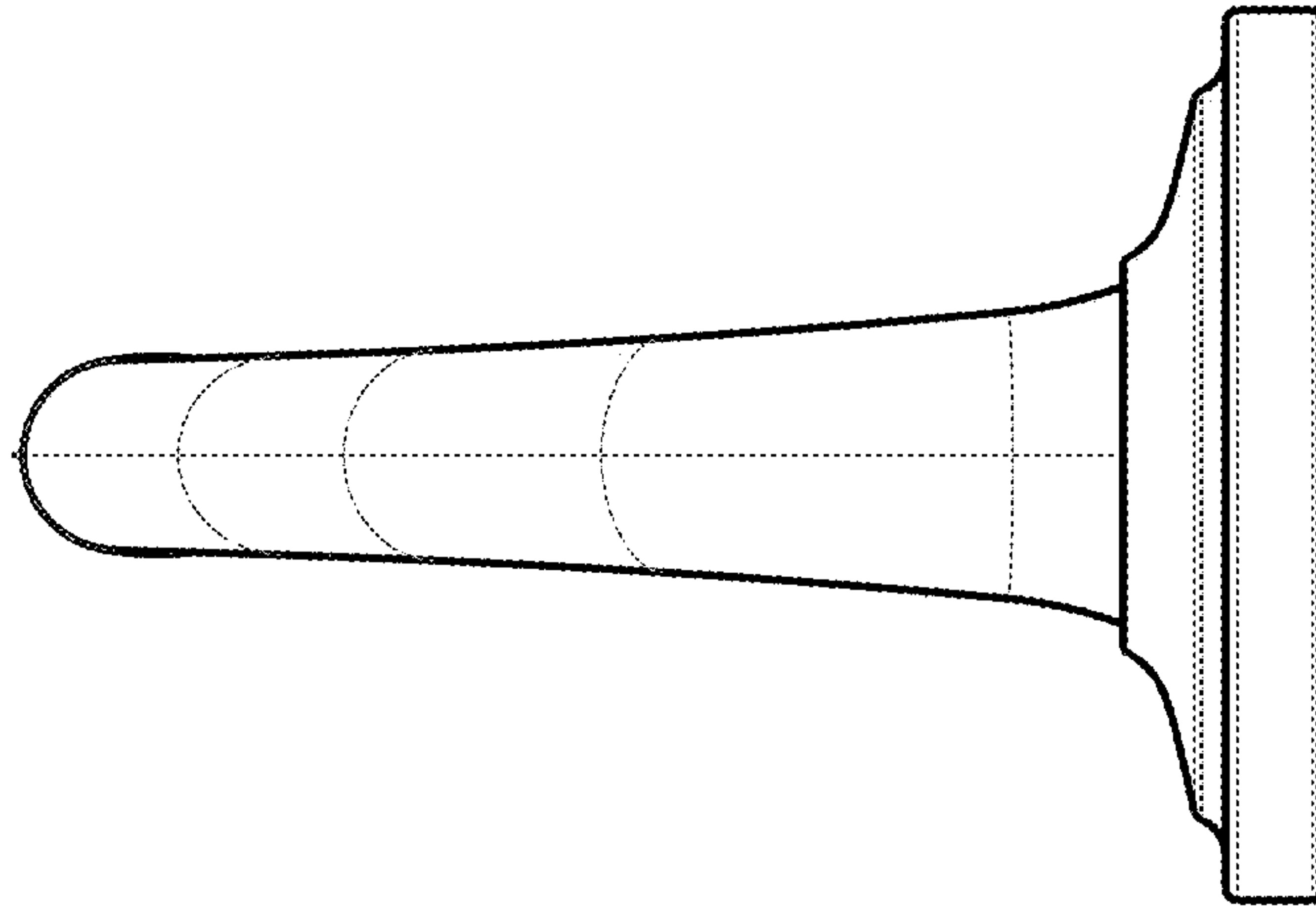


Fig. 6

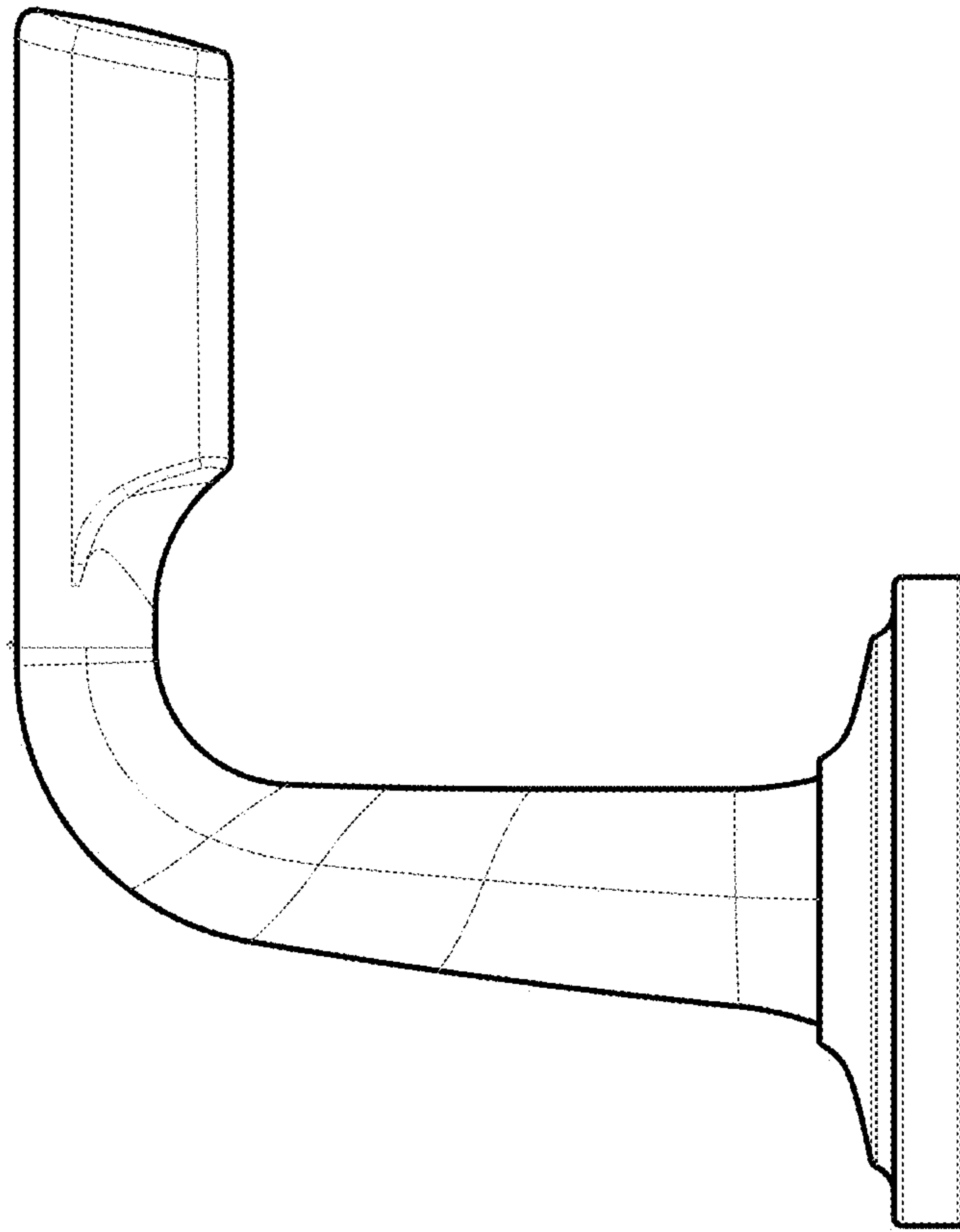


Fig. 5

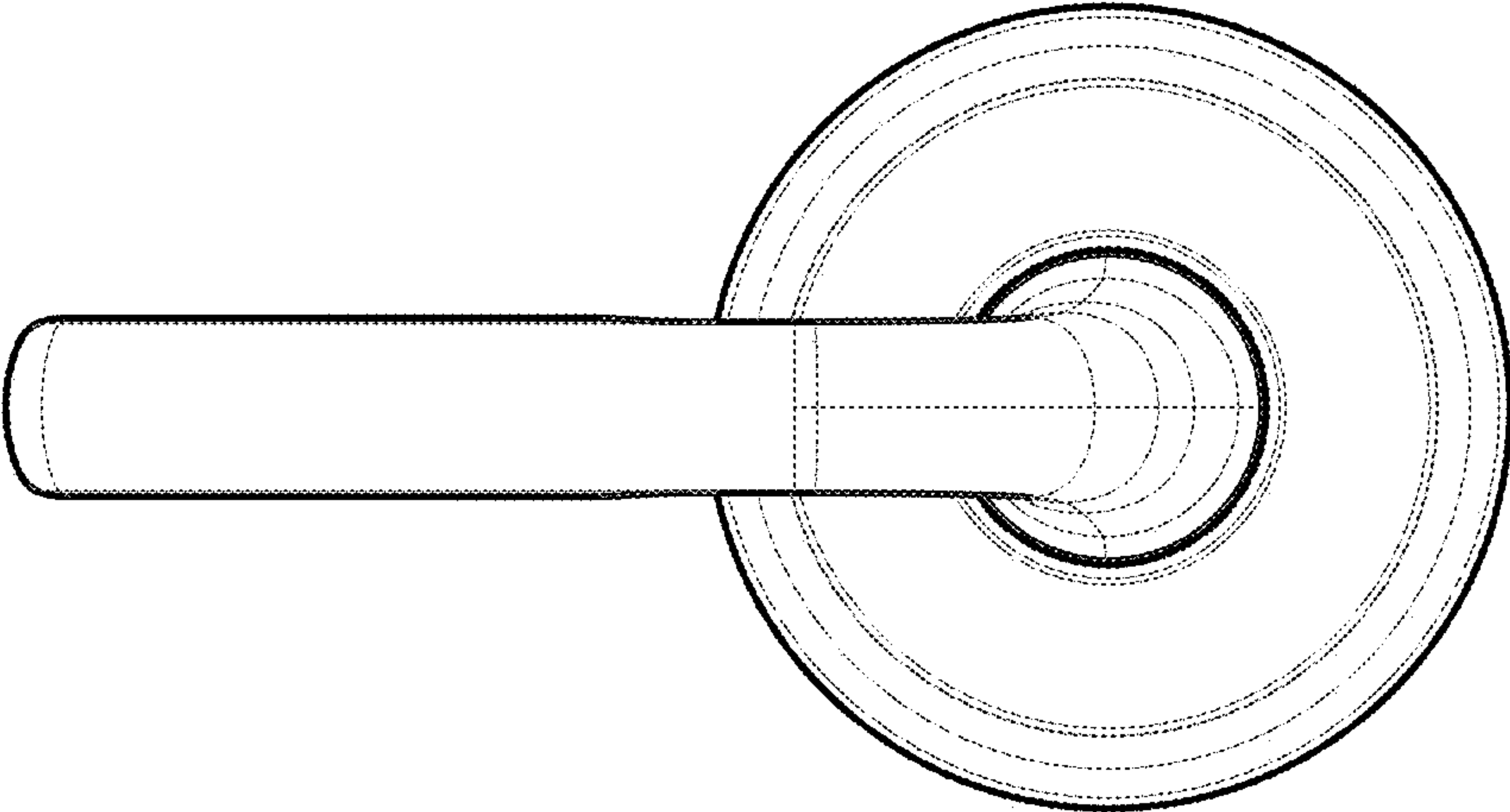


Fig. 7