



US00D888199S

(12) **United States Design Patent** (10) **Patent No.:** **US D888,199 S**
Caleffi (45) **Date of Patent:** **** Jun. 23, 2020**

(54) **FLUID DISTRIBUTION EQUIPMENT**

(71) Applicant: **CALEFFI S.P.A.**, Fontaneto d'Agogna (IT)

(72) Inventor: **Marco Caleffi**, Fontaneto d'Agogna (IT)

(73) Assignee: **Caleffi S.p.A.** (IT)

(**) Term: **15 Years**

(21) Appl. No.: **29/610,838**

(22) Filed: **Jul. 17, 2017**

(30) **Foreign Application Priority Data**

Jan. 16, 2017 (EM) 003642123-0001
Jan. 16, 2017 (EM) 003642123-0002
Jan. 16, 2017 (EM) 003642123-0003
Jan. 16, 2017 (EM) 003642123-0004
Jan. 16, 2017 (EM) 003642123-0005
Jan. 16, 2017 (EM) 003642123-0006

(51) **LOC (12) Cl.** **23-01**

(52) **U.S. Cl.**
USPC **D23/233**

(58) **Field of Classification Search**
USPC D23/233-250; 251/129.15, 129.01;
137/487.5, 625.64, 12, 505, 613, 614,
137/15.18, 505.37, 486, 561 A, 565.26,
137/625.11, 557
CPC F16K 31/0675; F16K 27/048
See application file for complete search history.

(56) **References Cited**

U.S. PATENT DOCUMENTS

D677,363 S * 3/2013 Norlander D23/233
D722,362 S * 2/2015 Kluss D23/235
D732,641 S * 6/2015 Hermann D23/233

D820,392 S * 6/2018 Caleffi D23/233
D835,754 S * 12/2018 Caleffi D23/233
2004/0261862 A1* 12/2004 Wang F16K 37/0066
137/557
2008/0105311 A1* 5/2008 Bulter F16L 41/021
137/625.11
2012/0325338 A1* 12/2012 Pettinaroli F24D 19/1015
137/505

* cited by examiner

Primary Examiner — Gino Colan

(74) *Attorney, Agent, or Firm* — Laubscher & Laubscher, P.C.

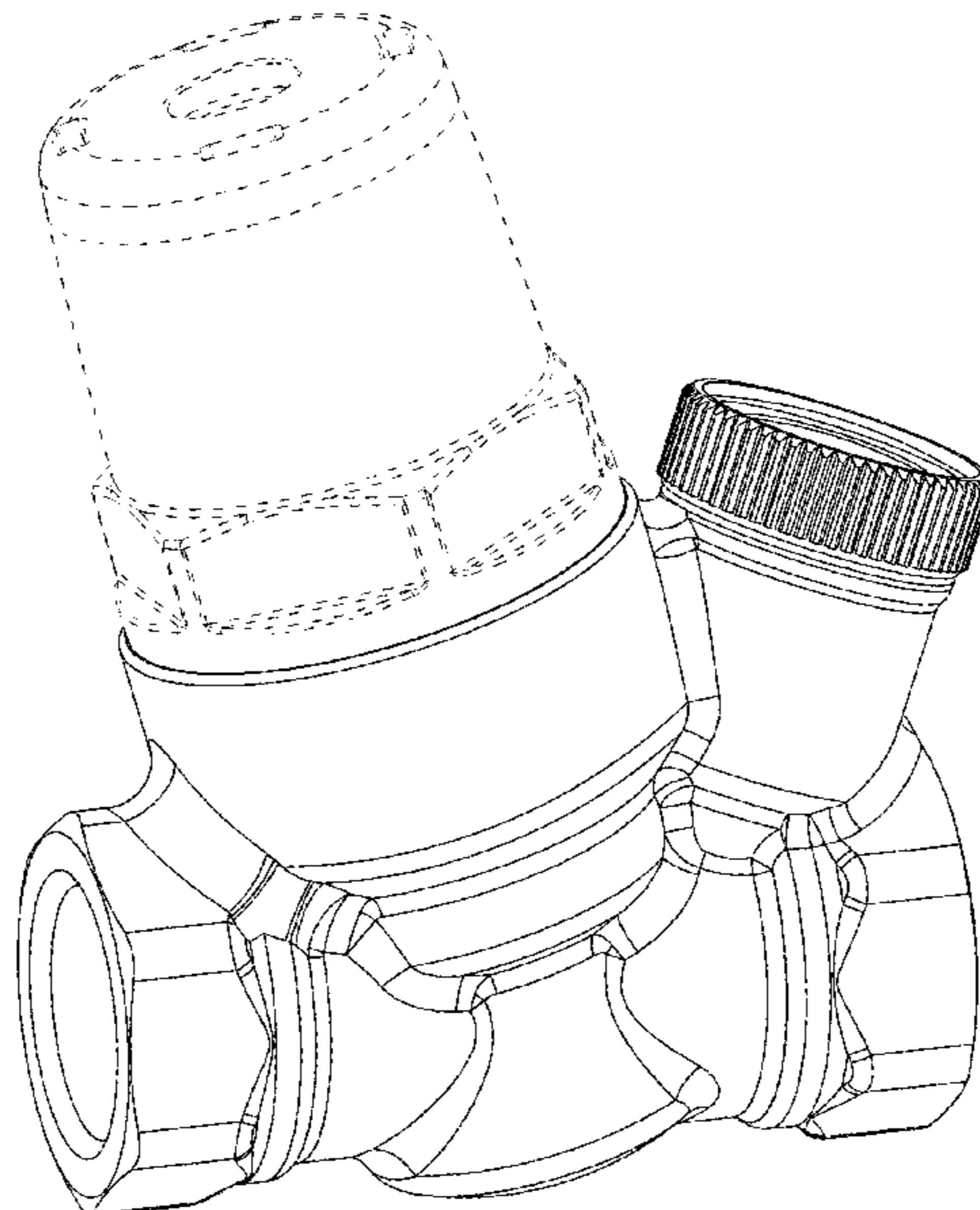
(57) **CLAIM**

The ornamental design for a fluid distribution equipment, as shown and described.

DESCRIPTION

FIG. 1 is a front perspective view of a fluid distribution equipment showing my new design;
FIG. 2 is a front elevation view thereof;
FIG. 3 is a rear elevation view thereof;
FIG. 4 is a right side elevation view thereof;
FIG. 5 is a left side elevation view thereof;
FIG. 6 is a top plan view thereof; and,
FIG. 7 is a bottom plan view thereof.
The broken lines shown in the figures are for the purpose of illustrating portions of the fluid distribution equipment which form no part of the claimed design.

1 Claim, 7 Drawing Sheets



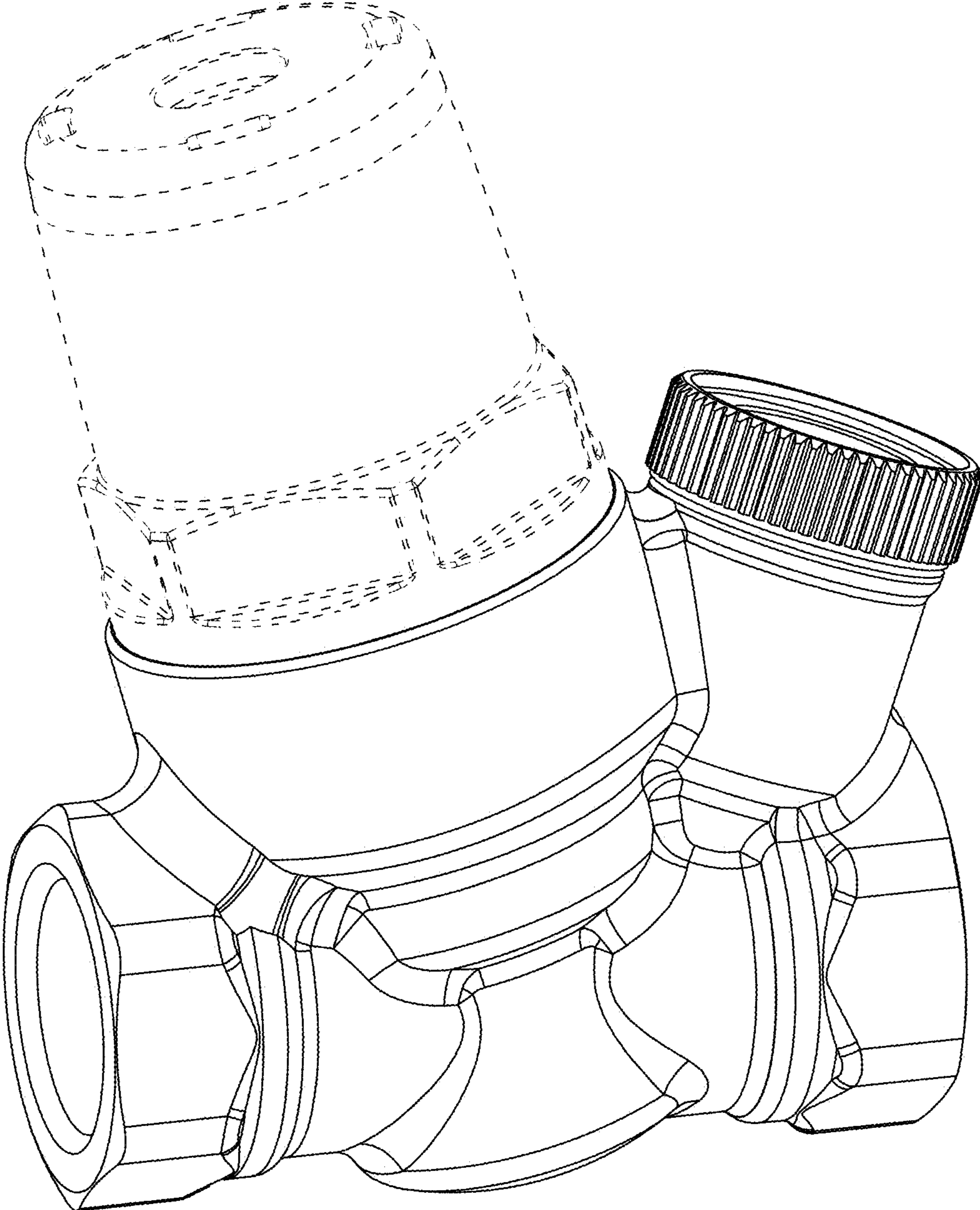


FIG. 1

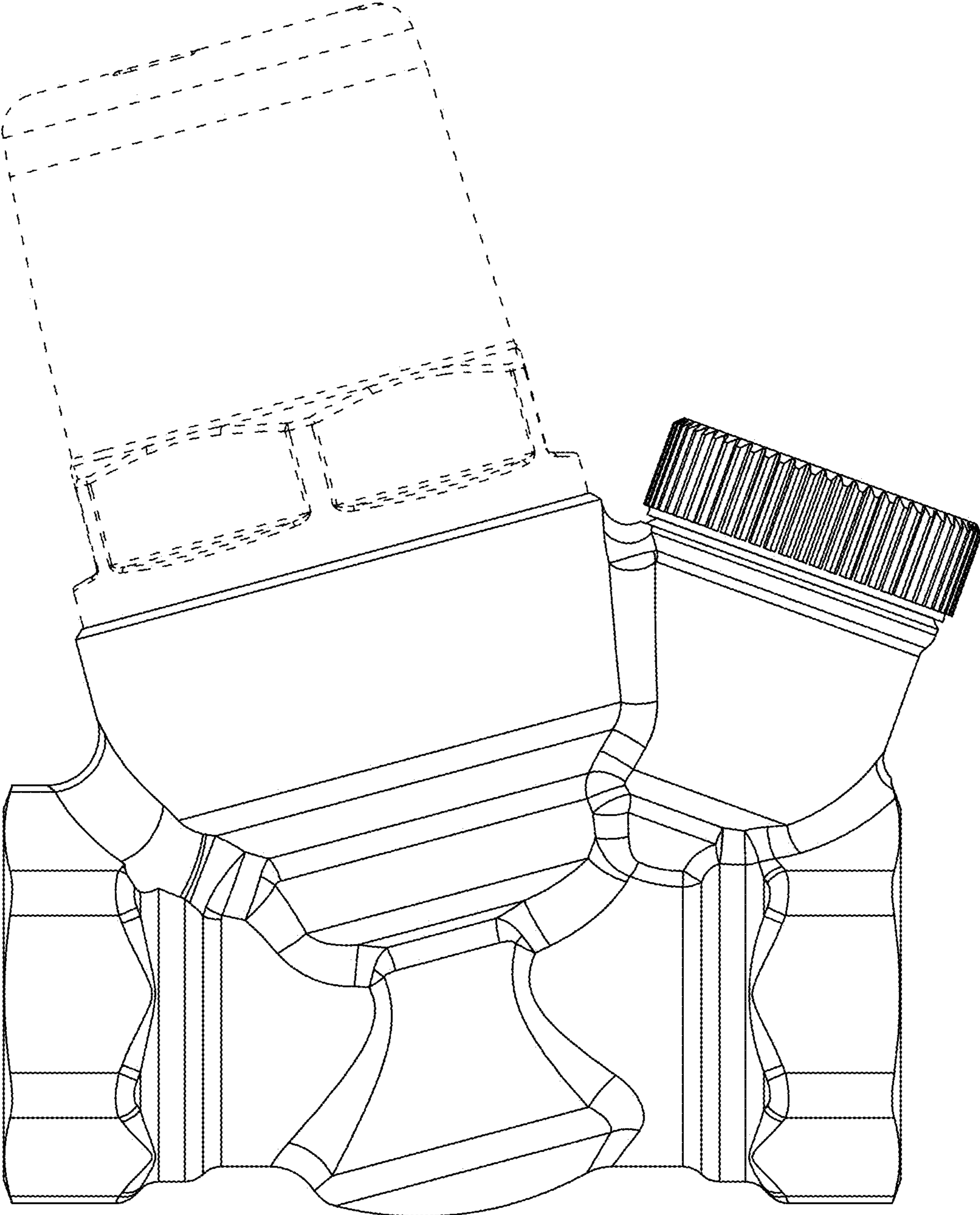


FIG. 2

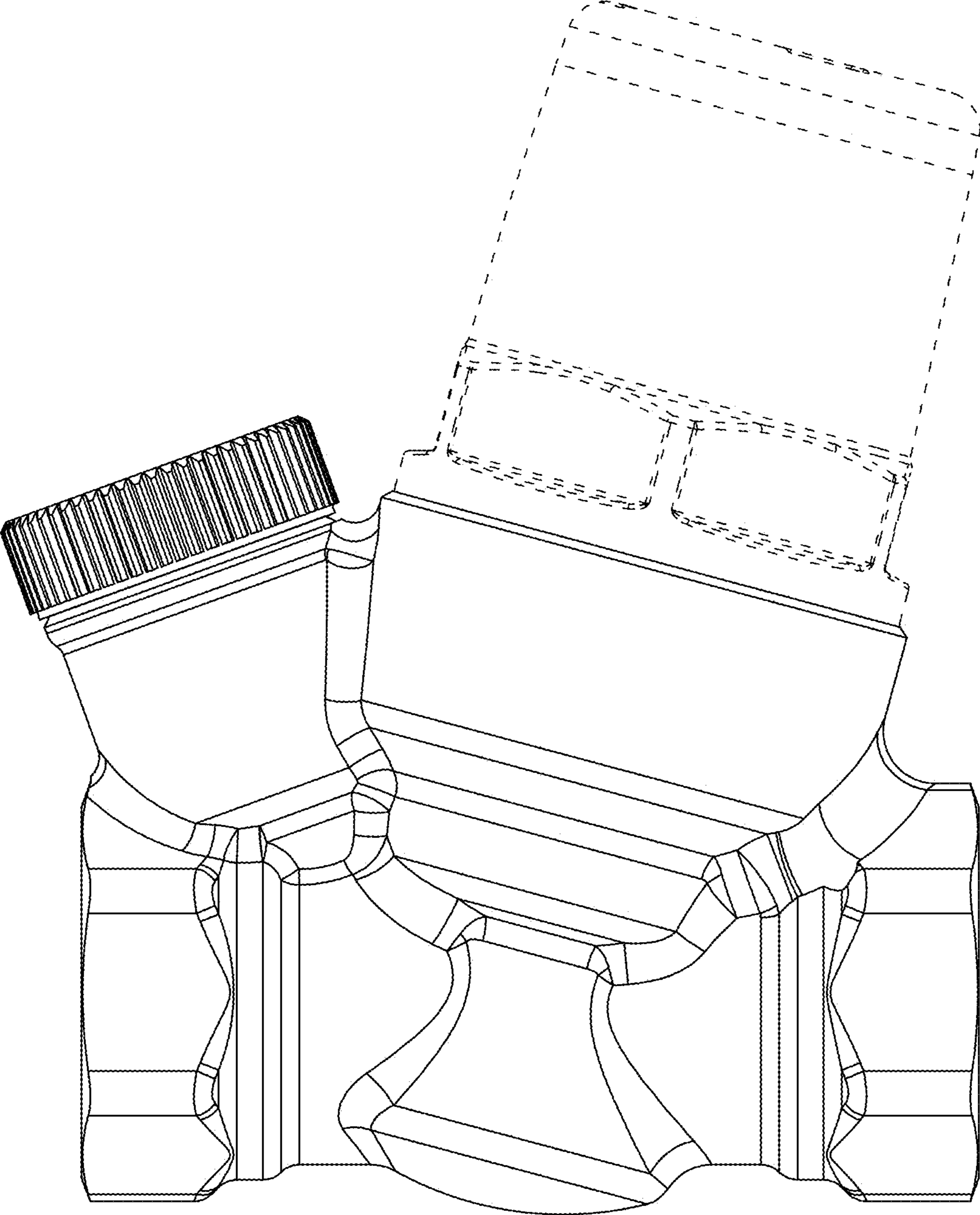


FIG. 3

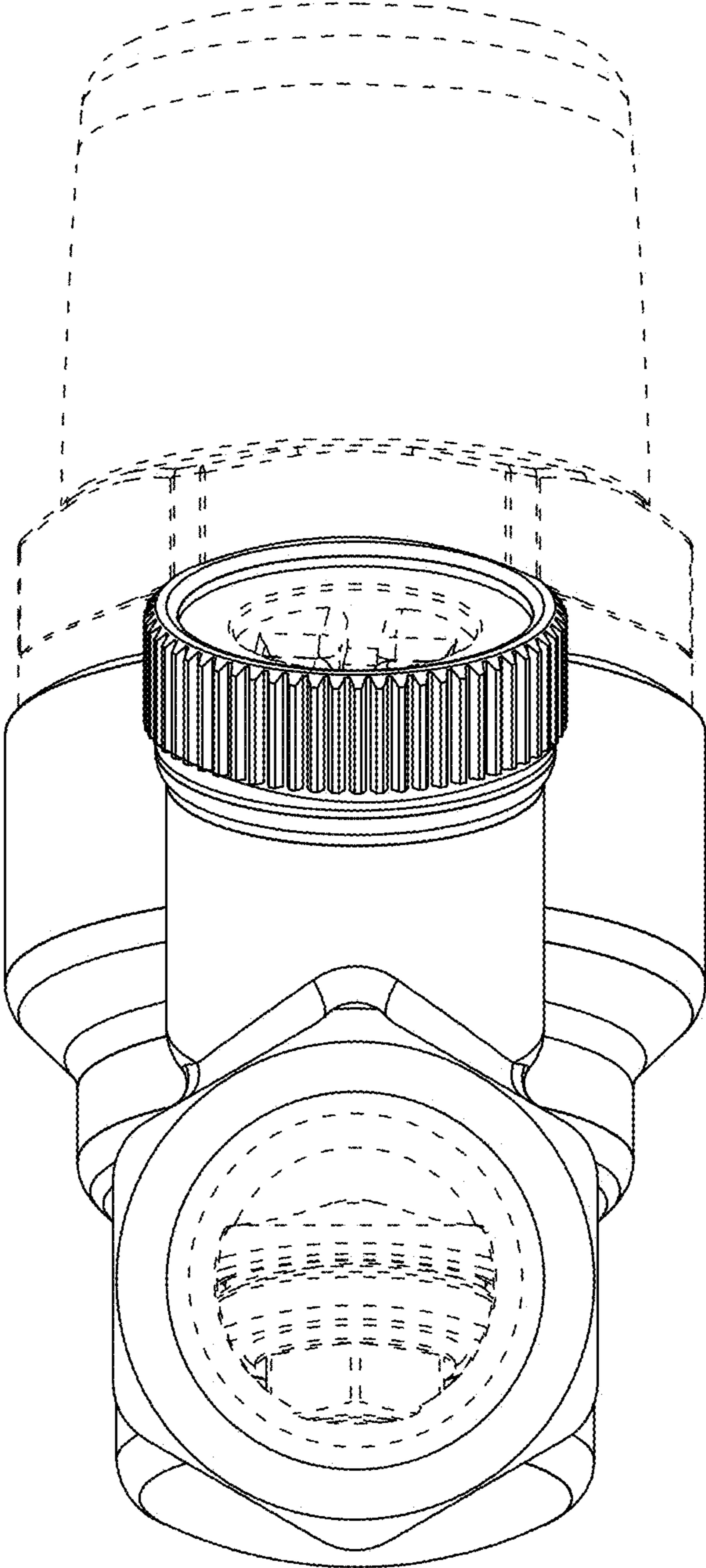


FIG. 4

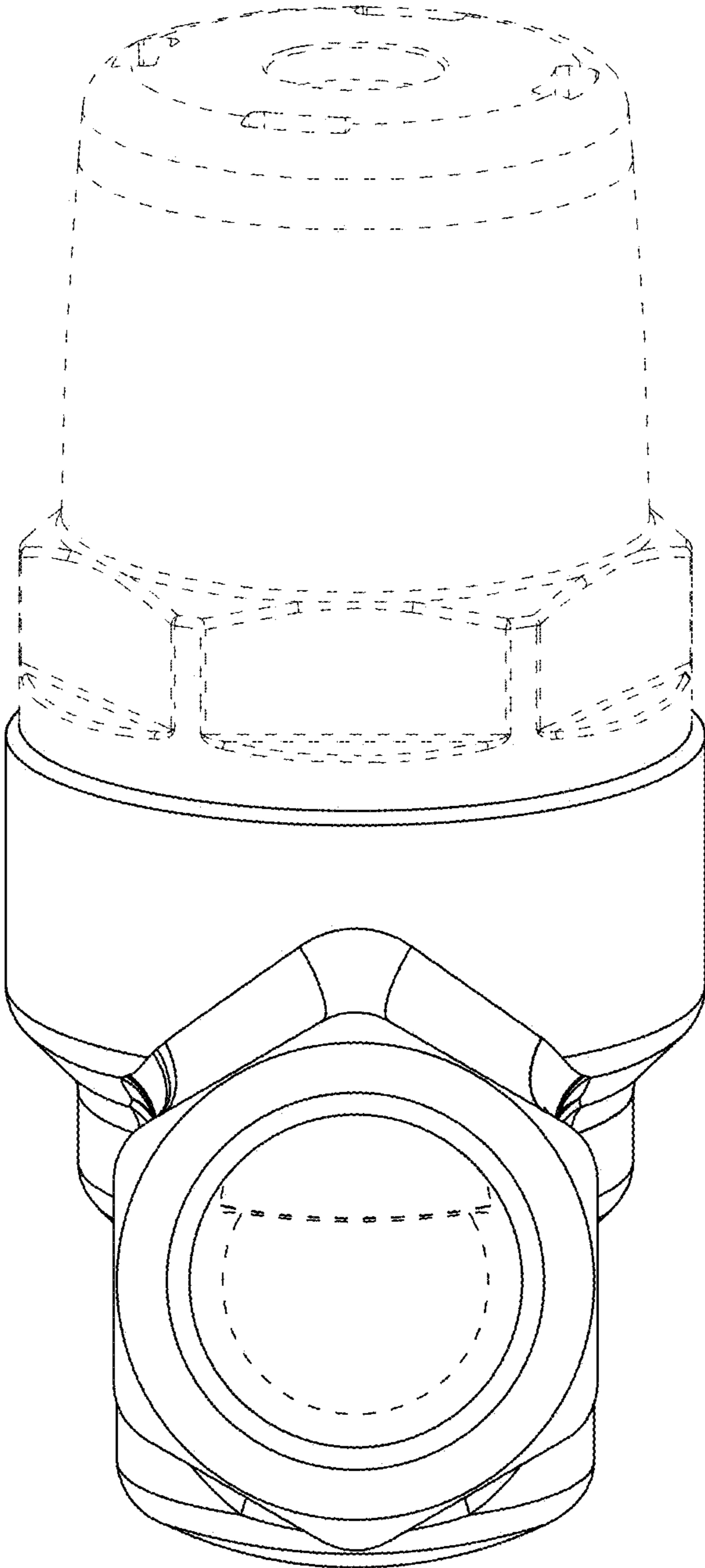


FIG. 5

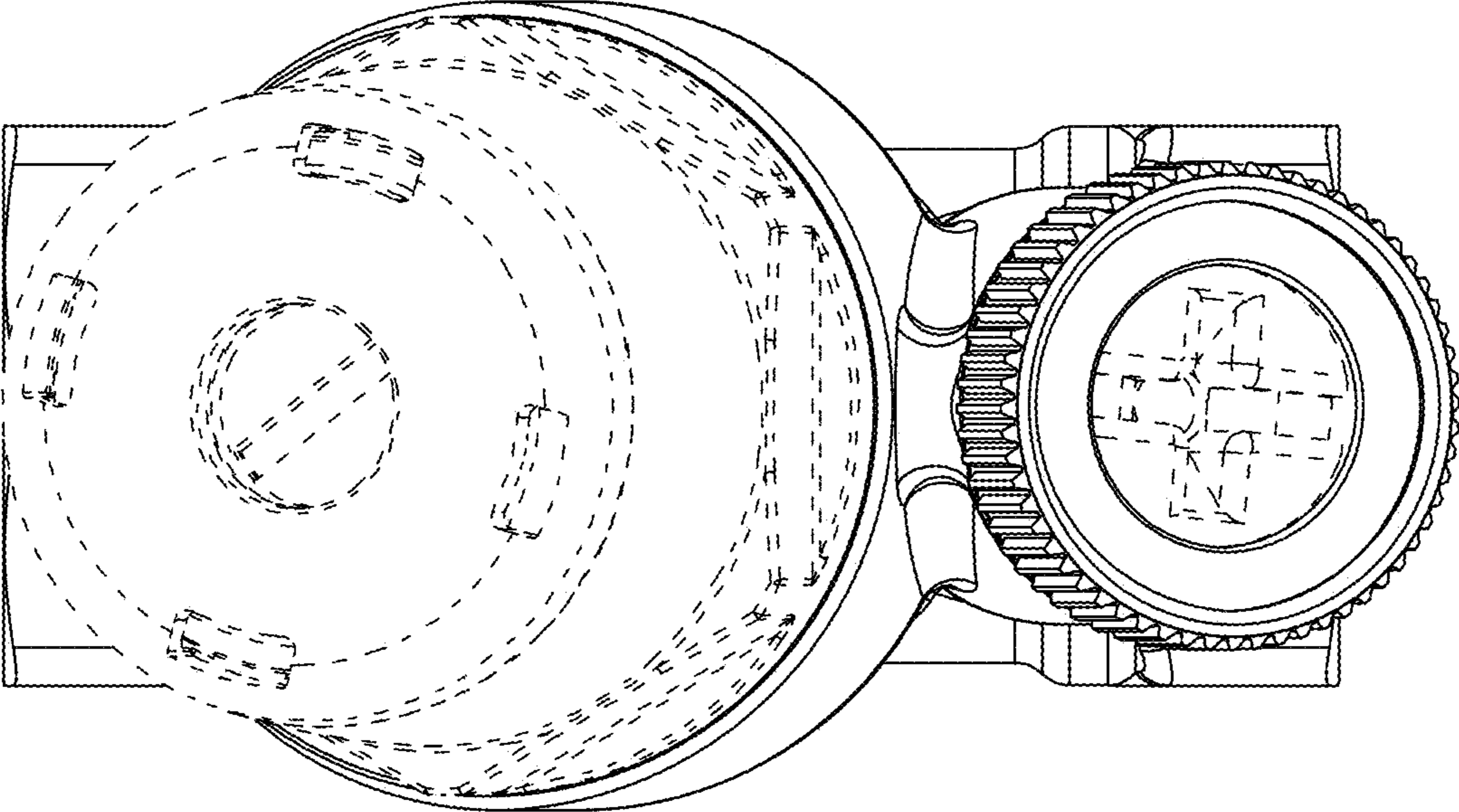


FIG. 6

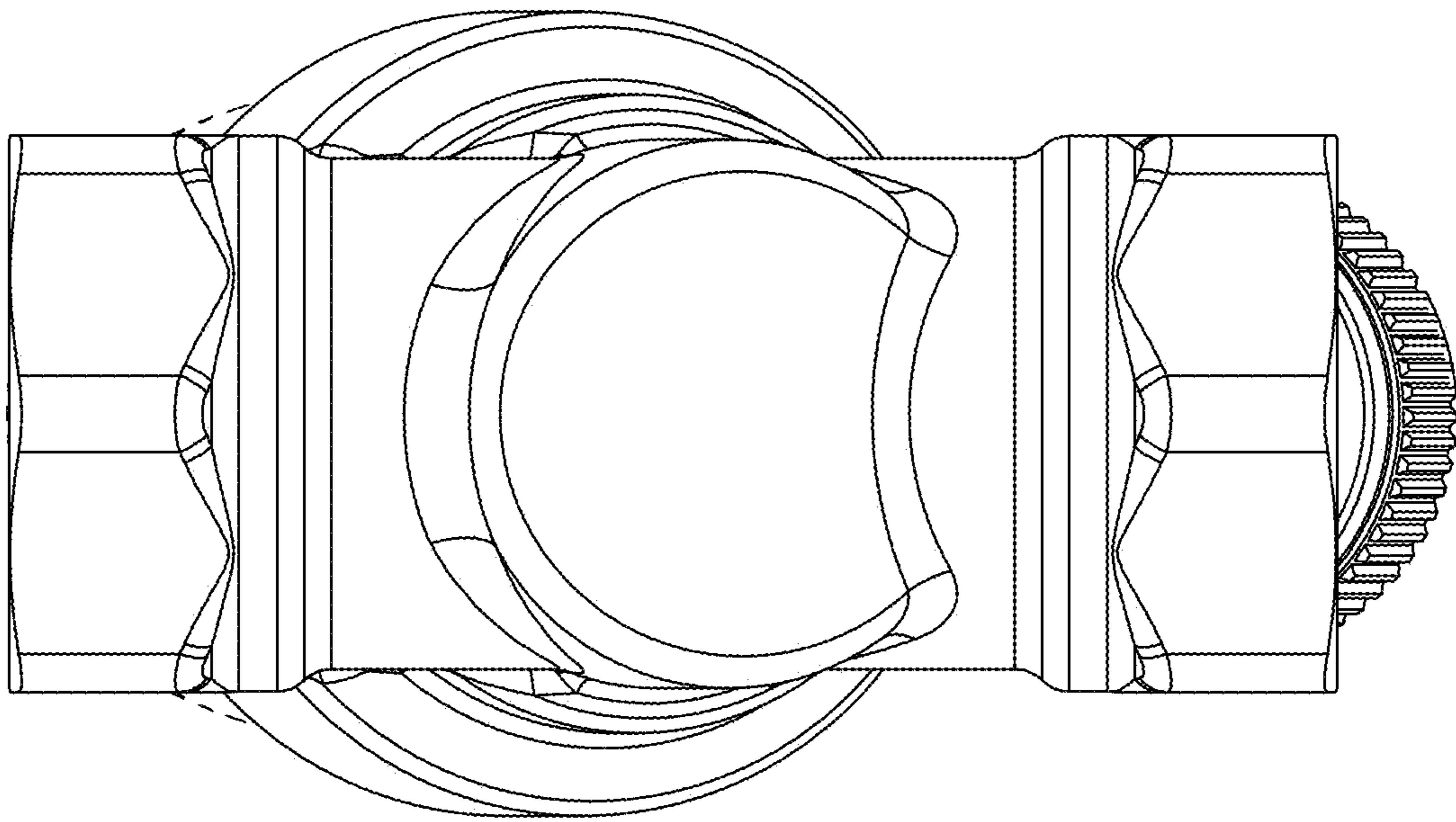


FIG. 7