



US00D888198S

(12) **United States Design Patent** (10) **Patent No.:** **US D888,198 S**
Mo (45) **Date of Patent:** **** Jun. 23, 2020**

(54) **HANDHELD SHOWER**

FOREIGN PATENT DOCUMENTS

(71) Applicant: **Runjian Mo**, Guangdong (CN)

CN 201821734594.9 * 10/2018 B05B 1/18

(72) Inventor: **Runjian Mo**, Guangdong (CN)

OTHER PUBLICATIONS

(**) Term: **15 Years**

https://www.amazon.com/16-Inch-Extension-Rainfall-Stainless/dp/B00HWKP2EA/ref=sr_1_96?keywords=rectangular%2Bshower%2Bhead&qid=1580329716&sr=8-96&th=1 (Year: 2014).*

(21) Appl. No.: **29/683,922**

* cited by examiner

(22) Filed: **Mar. 17, 2019**

(51) **LOC (12) Cl.** **23-01**

Primary Examiner — Manpreet S Matharu

(52) **U.S. Cl.**

Assistant Examiner — Keith J Wilson

USPC **D23/223**; D23/213

(58) **Field of Classification Search**

USPC D23/213, 214, 215, 223, 224, 226, 229,
D23/230

(57) **CLAIM**

CPC A61H 9/0021; A61H 33/00; B05B 1/00;
B05B 1/14; B05B 1/185; B05B 1/08;
B05B 1/02; B05B 1/26; B05B 12/002;
B05B 1/18; B05B 9/01

The ornamental design for a handheld shower, as shown and described.

See application file for complete search history.

DESCRIPTION

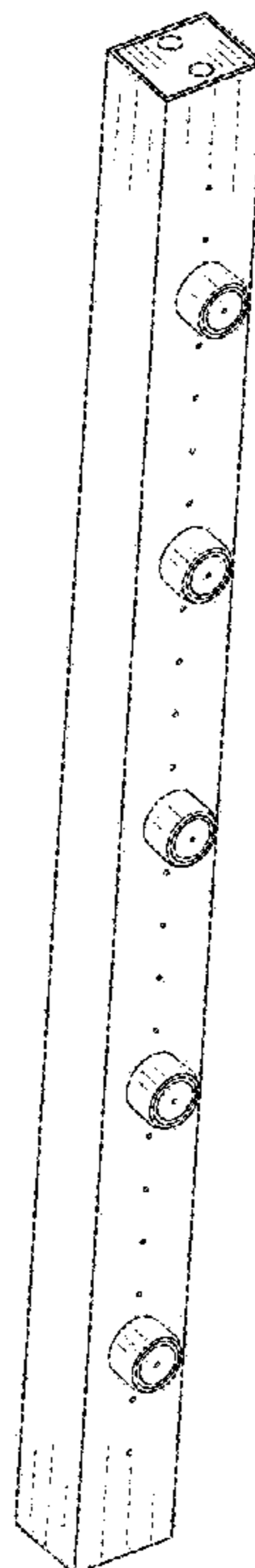
(56) **References Cited**

U.S. PATENT DOCUMENTS

D228,908 S	*	10/1973	Juhlin	D23/223
D243,609 S	*	3/1977	Mono	D23/223
D270,559 S	*	9/1983	Clivio	D23/213
D283,832 S	*	5/1986	Weinstein	222/108
D310,860 S	*	9/1990	Delepine	D23/213
D495,028 S	*	8/2004	Jorgensen	D23/223
D793,529 S	*	8/2017	Garland	D23/223
D832,975 S	*	11/2018	Garuti	D23/213
D849,194 S	*	5/2019	Lu	D23/223
D853,525 S	*	7/2019	Lu	D23/223
D855,761 S	*	8/2019	Quinn	B05B 1/185 D23/223

FIG. 1 is a top perspective view of a handheld shower showing my new design;
FIG. 2 is a front elevation view thereof;
FIG. 3 is a rear elevation view thereof;
FIG. 4 is a left side elevation view thereof;
FIG. 5 is a right side elevation view thereof;
FIG. 6 is top plan view thereof, shown enlarged in scale;
FIG. 7 is a bottom plan view thereof, shown enlarged in scale; and,
FIG. 8 is is an enlarged view of the handheld shower taken from the circled portion in FIG. 2.

1 Claim, 8 Drawing Sheets



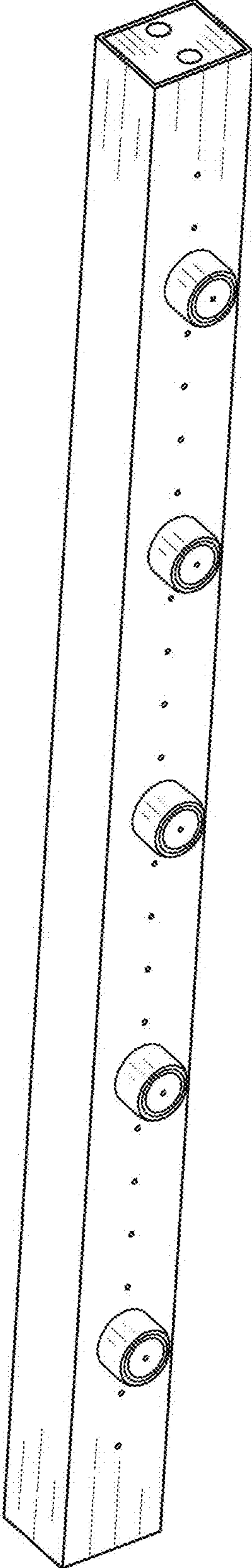


FIG.1

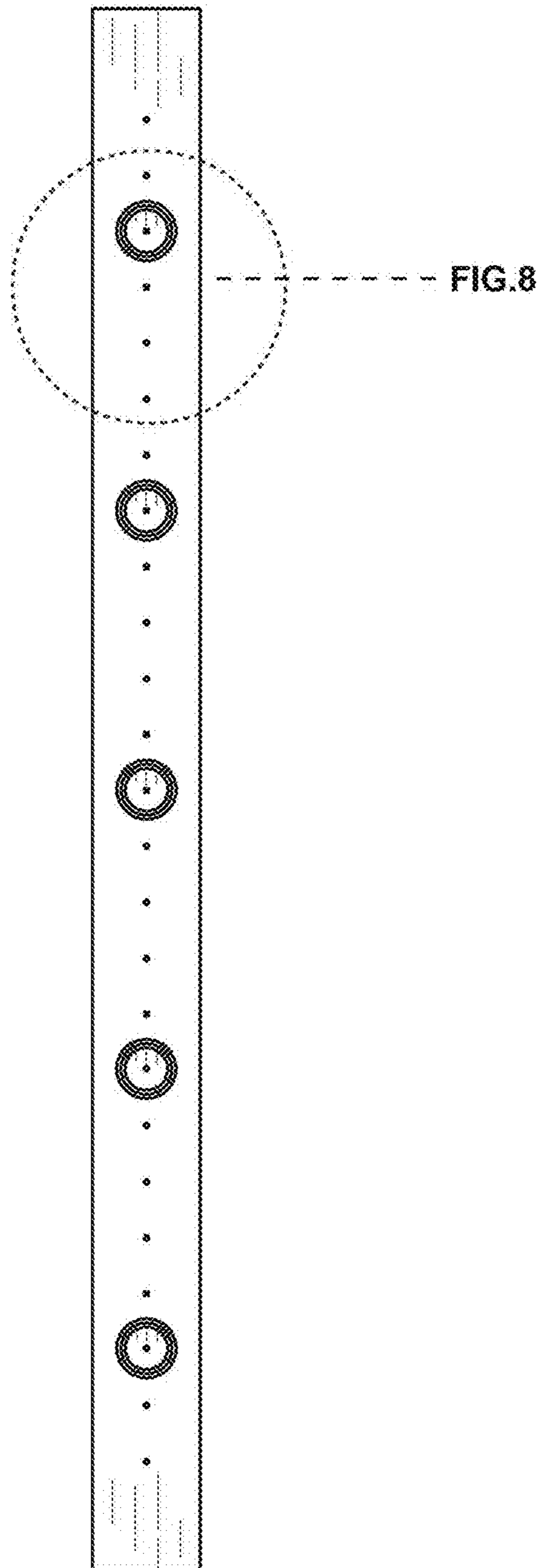


FIG. 2

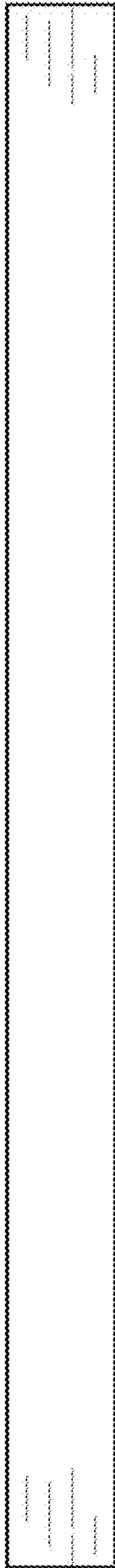


FIG.3

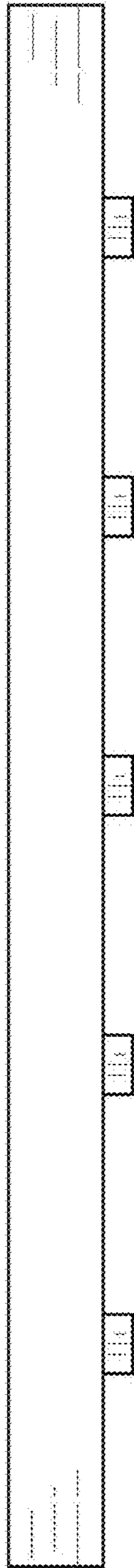


FIG.4

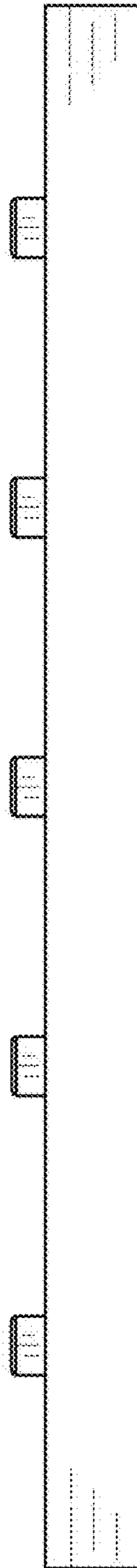


FIG.5

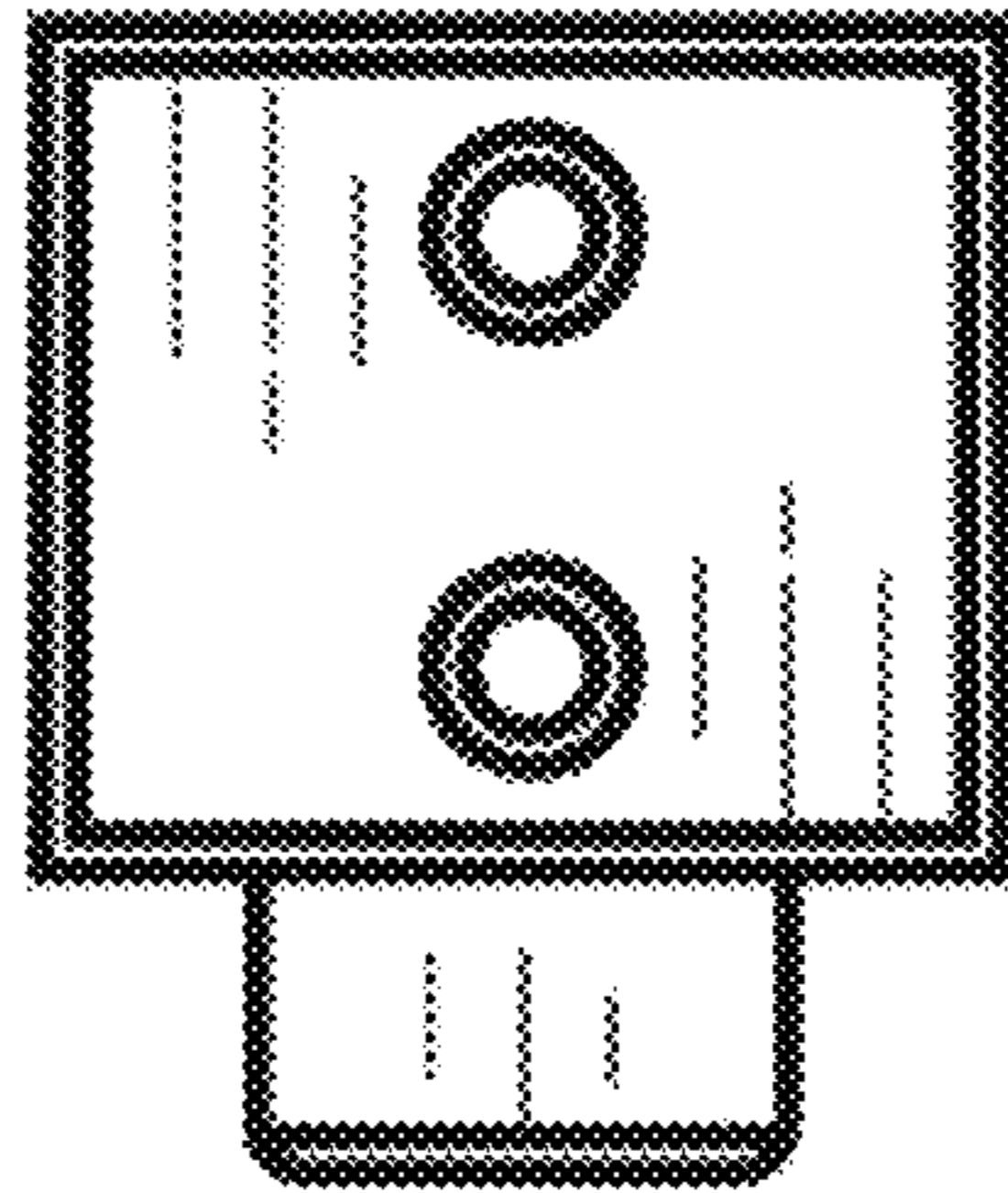


FIG.6

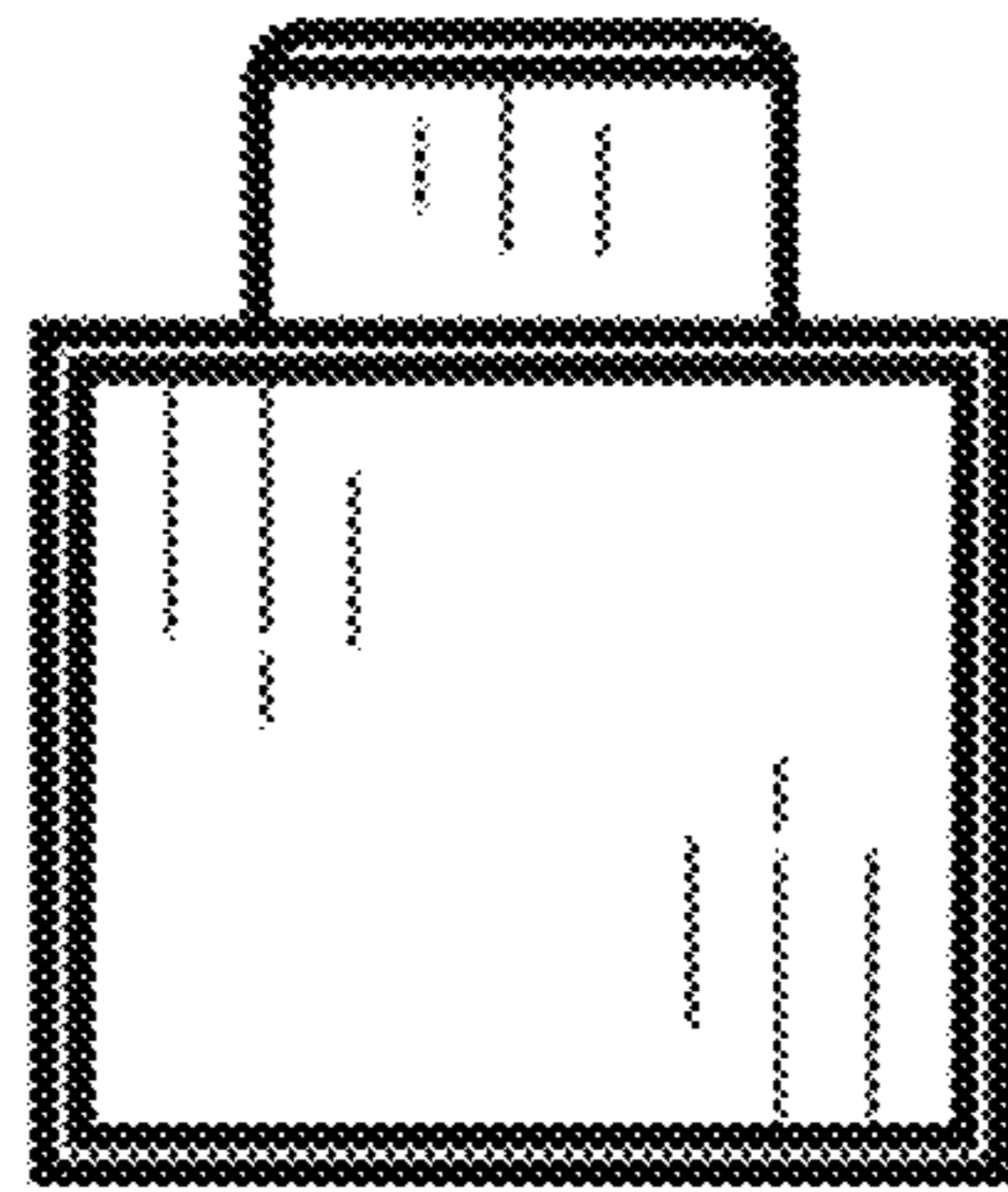


FIG. 7

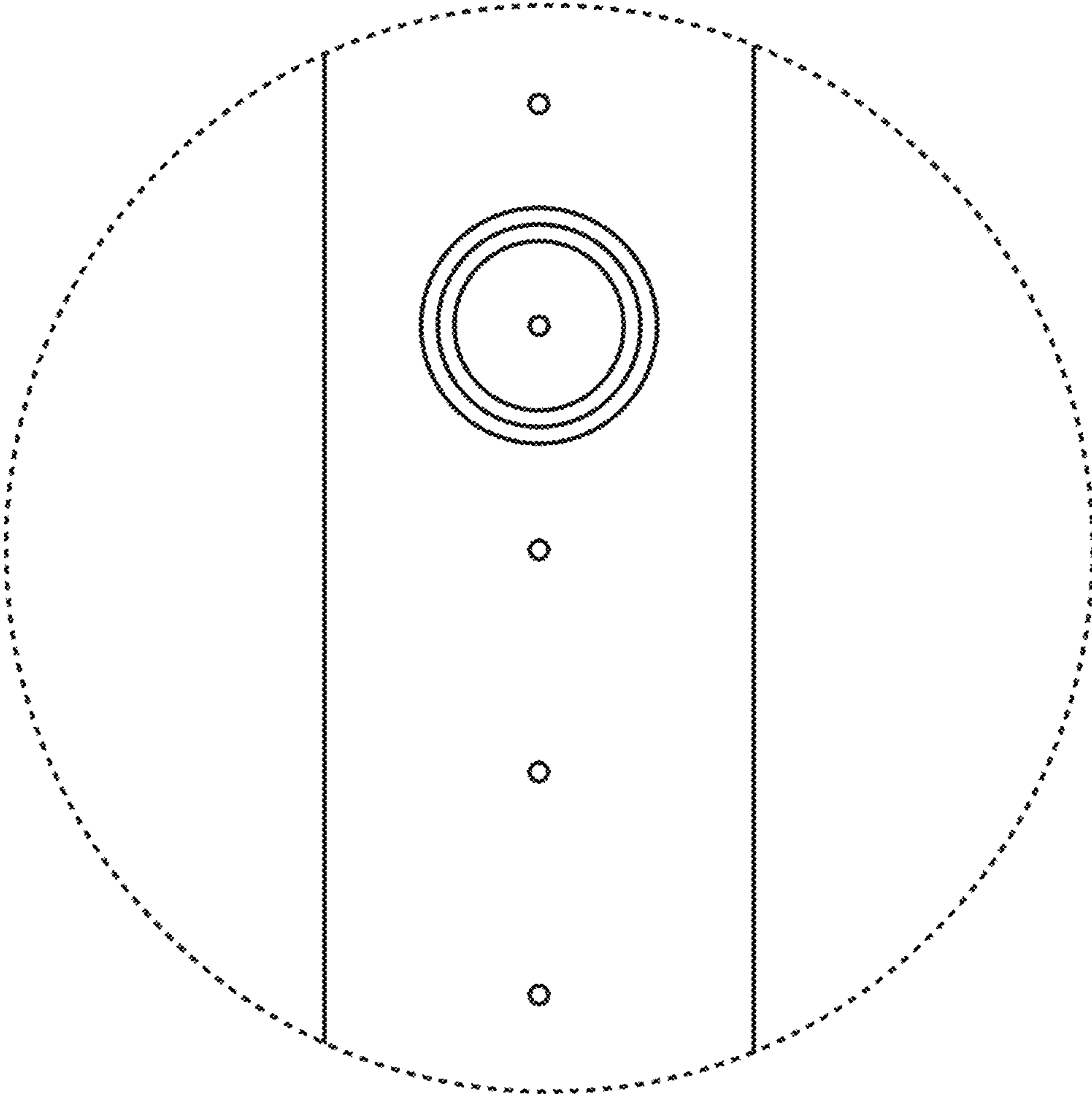


FIG. 8