



US00D888197S

(12) **United States Design Patent**
McDonnell

(10) **Patent No.:** **US D888,197 S**

(45) **Date of Patent:** **** Jun. 23, 2020**

(54) **ACCORDION NOZZLE**

(71) Applicant: **For Life Products, LLC**, Miramar, FL
(US)

(72) Inventor: **Joseph A. McDonnell**, Weston, FL
(US)

(73) Assignee: **FOR LIFE PRODUCTS, LLC**,
Miramar, FL (US)

(**) Term: **15 Years**

(21) Appl. No.: **29/663,809**

(22) Filed: **Sep. 19, 2018**

(51) **LOC (12) Cl.** **23-01**

(52) **U.S. Cl.**
USPC **D23/213; D9/442**

(58) **Field of Classification Search**
USPC D7/300.2, 398, 700; D9/446, 447, 449;
D15/1-6, 150, 151, 152; D23/200, 213,
D23/232, 266, 321; D24/121-123
CPC Y10S 138/08; B67D 7/00; B67D 7/007;
B67D 7/02; B67D 7/04
See application file for complete search history.

(56) **References Cited**

U.S. PATENT DOCUMENTS

- 4,426,027 A * 1/1984 Maynard, Jr. B65D 47/063
222/529
- 4,600,125 A * 7/1986 Maynard, Jr. B67B 7/28
141/330
- D298,015 S * 10/1988 Gendron D9/447
- 4,832,238 A * 5/1989 Taylor B65D 25/48
141/337
- 4,921,147 A * 5/1990 Poirier B65D 25/44
138/121
- 5,311,753 A * 5/1994 Kanao D06F 39/08
138/103

- 5,551,583 A * 9/1996 Sachathamakul A61J 9/00
215/11.1
- 5,722,570 A * 3/1998 Sultzer, III B65D 47/063
222/529
- 6,398,266 B1 * 6/2002 Crump F16L 11/15
138/121

(Continued)

OTHER PUBLICATIONS

<https://www.montavit.com/en/products/catheterization/cathejell-c> (Year:
2014).*

Primary Examiner — Manpreet S Matharu

Assistant Examiner — Keith J Wilson

(74) *Attorney, Agent, or Firm* — Bass, Berry & Sims,
PLC

(57) **CLAIM**

The ornamental design for an accordion nozzle, as shown
and described.

DESCRIPTION

FIG. 1 is a perspective view of an accordion nozzle showing
my new design, wherein the accordion nozzle is in a
compressed state;

FIG. 2 is a side view thereof;

FIG. 3 is a top view thereof;

FIG. 4 is a bottom view thereof;

FIG. 5 is a perspective view of an accordion nozzle showing
my new design, wherein the accordion nozzle is in an
extended state;

FIG. 6 is a side view thereof;

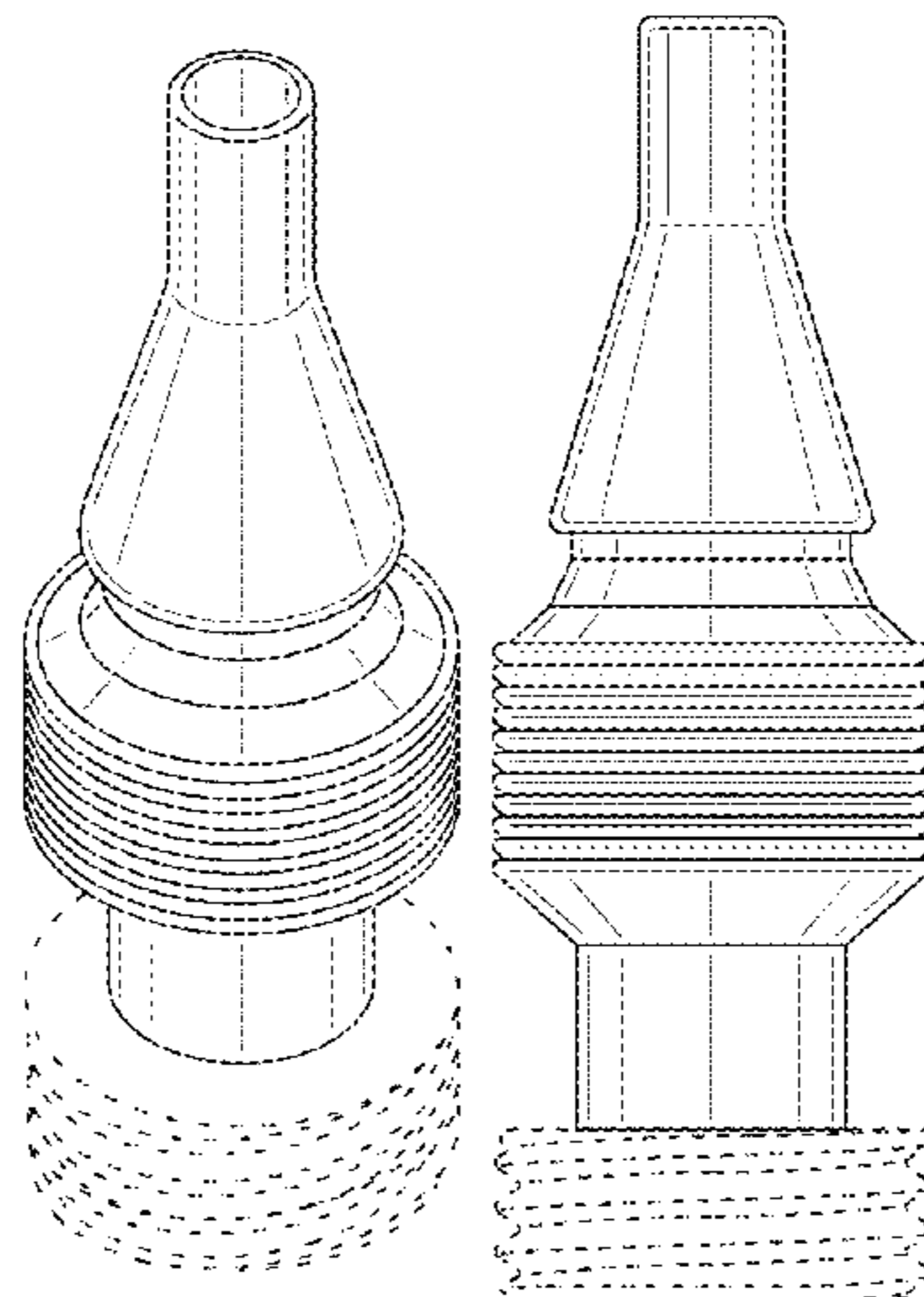
FIG. 7 is a top view thereof;

FIG. 8 is a bottom view thereof; and,

FIG. 9 is an environmental view of the accordion nozzle in
an extended state when the accordion nozzle is in use with
a bottle container.

The broken lines used in FIGS. 1, 2, 4-6 and 8 represent
portions of the accordion nozzle and form no part of the
claimed design. The broken lines used in FIG. 9 are directed

(Continued)



to environment in addition to portions of the accordion nozzle; all broken lines shown form no part of the claimed design.

1 Claim, 9 Drawing Sheets

(56)

References Cited

U.S. PATENT DOCUMENTS

7,044,342	B2 *	5/2006	Carlton	B67D 7/005 222/481.5
D667,530	S *	9/2012	Wyne	D23/213
D698,415	S *	1/2014	Wyne	D23/213
D766,719	S *	9/2016	Magley	D9/442
9,434,601	B2 *	9/2016	Baker	B67D 7/42
D776,532	S *	1/2017	Magley	D9/442
D776,534	S *	1/2017	Stratton	D7/300.2
D808,431	S *	1/2018	Tseng	D15/5

* cited by examiner

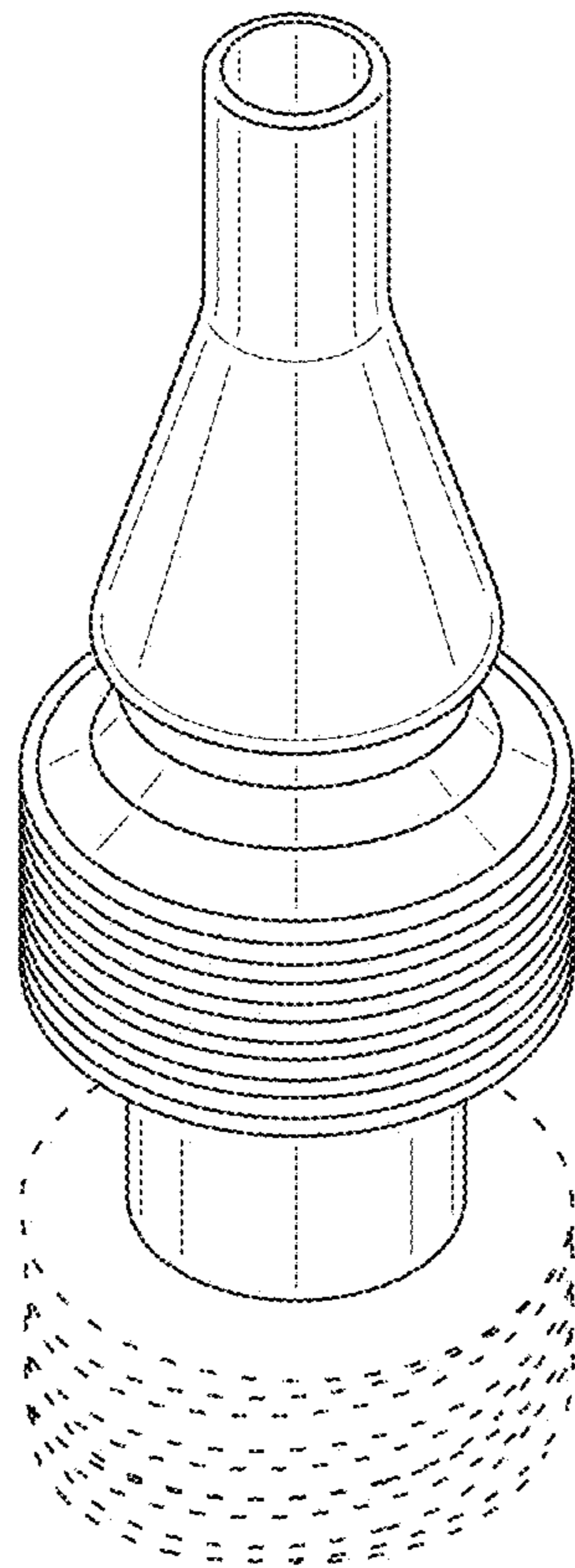


FIG. 1

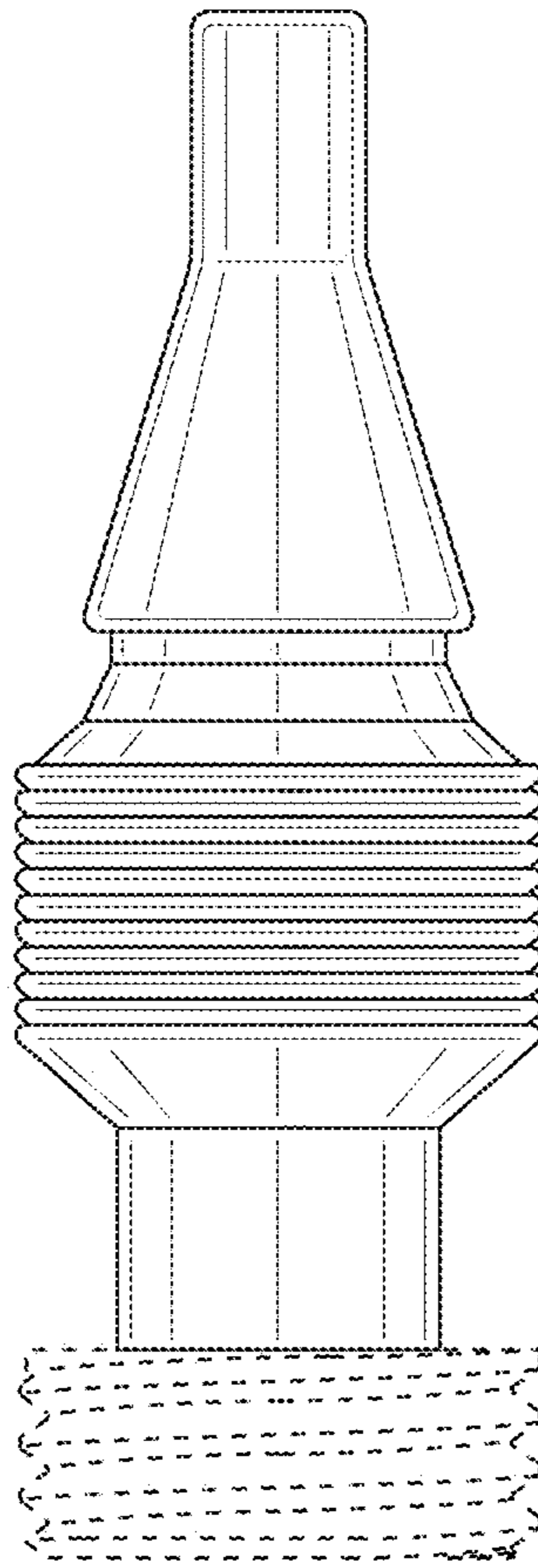


FIG. 2

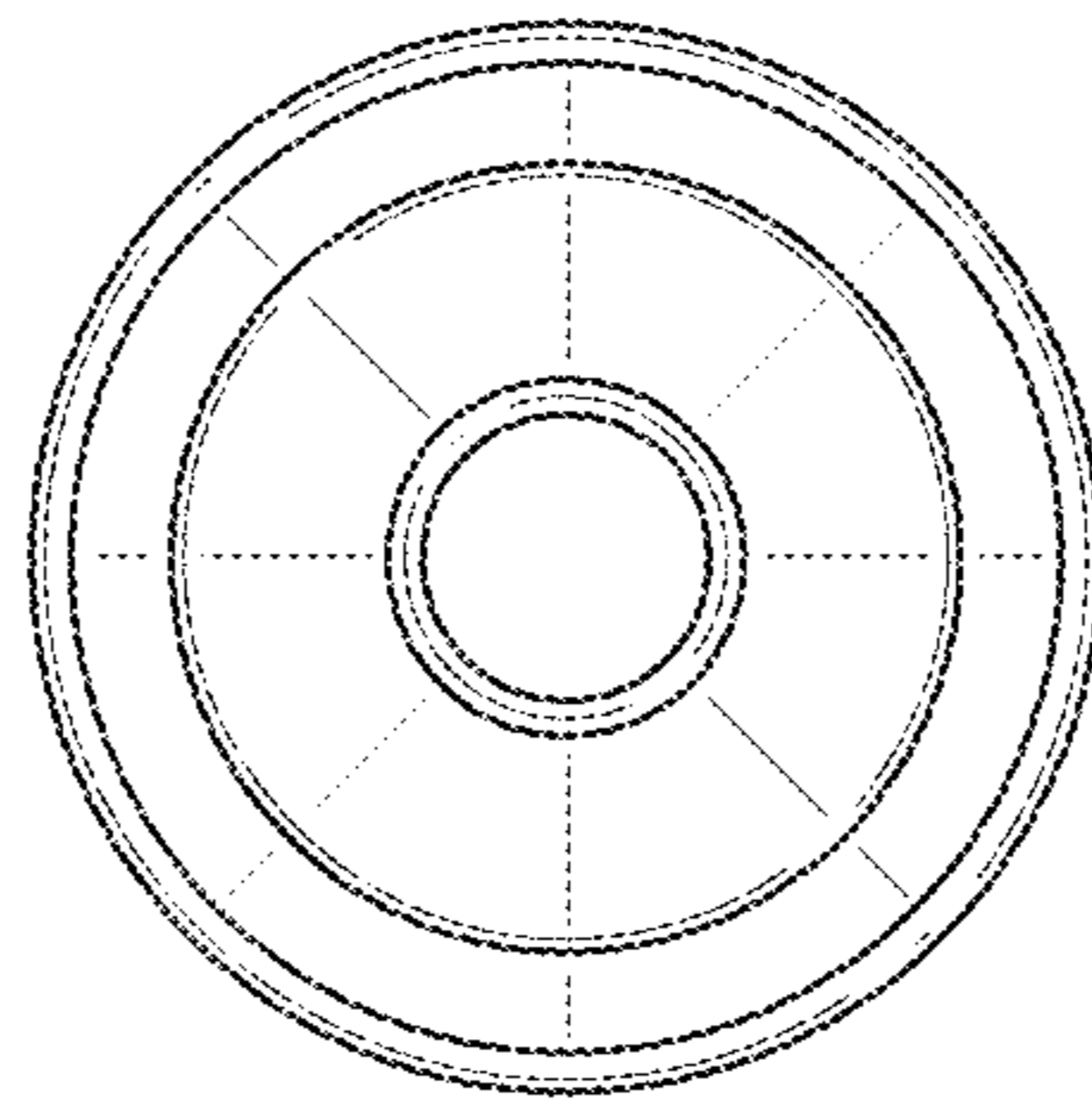


FIG. 3

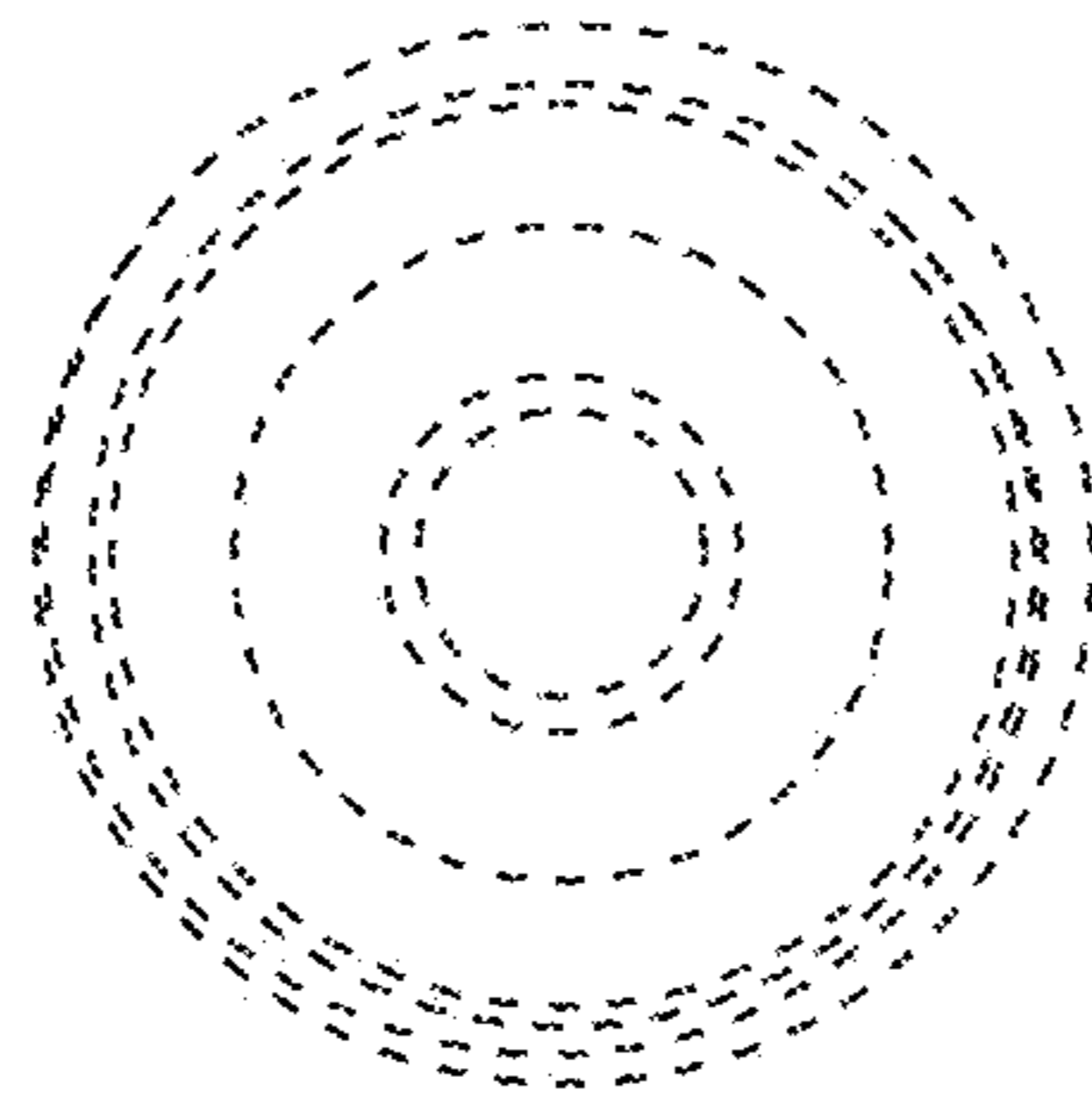


FIG. 4

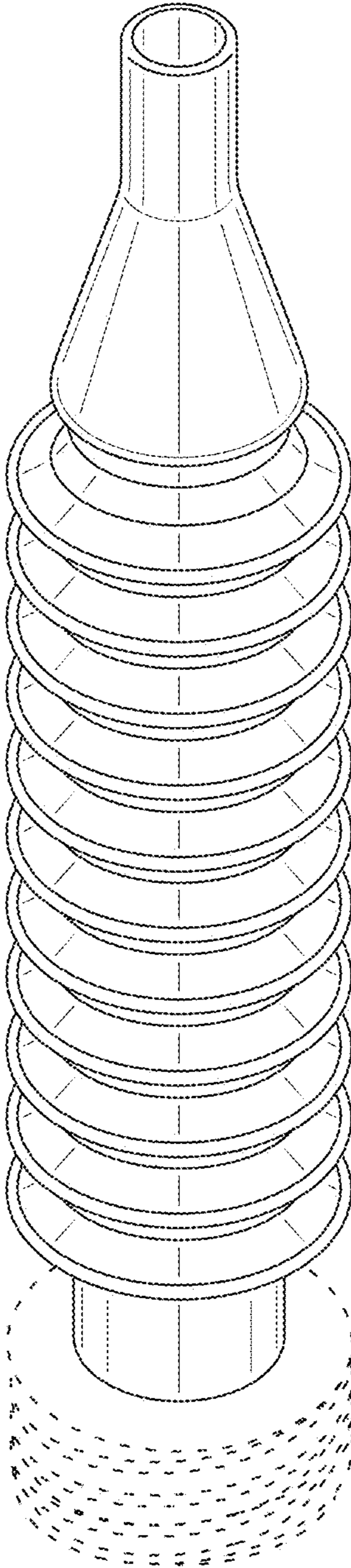


FIG. 5

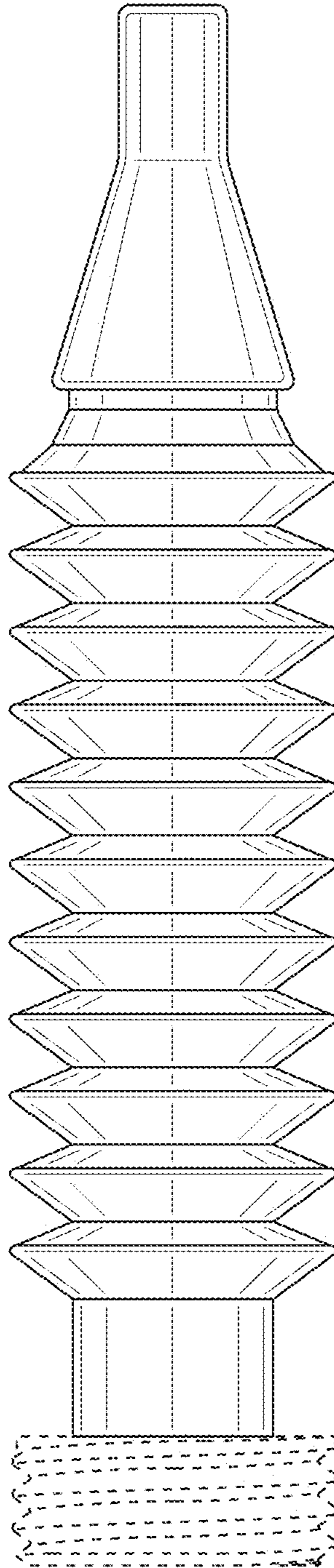


FIG. 6

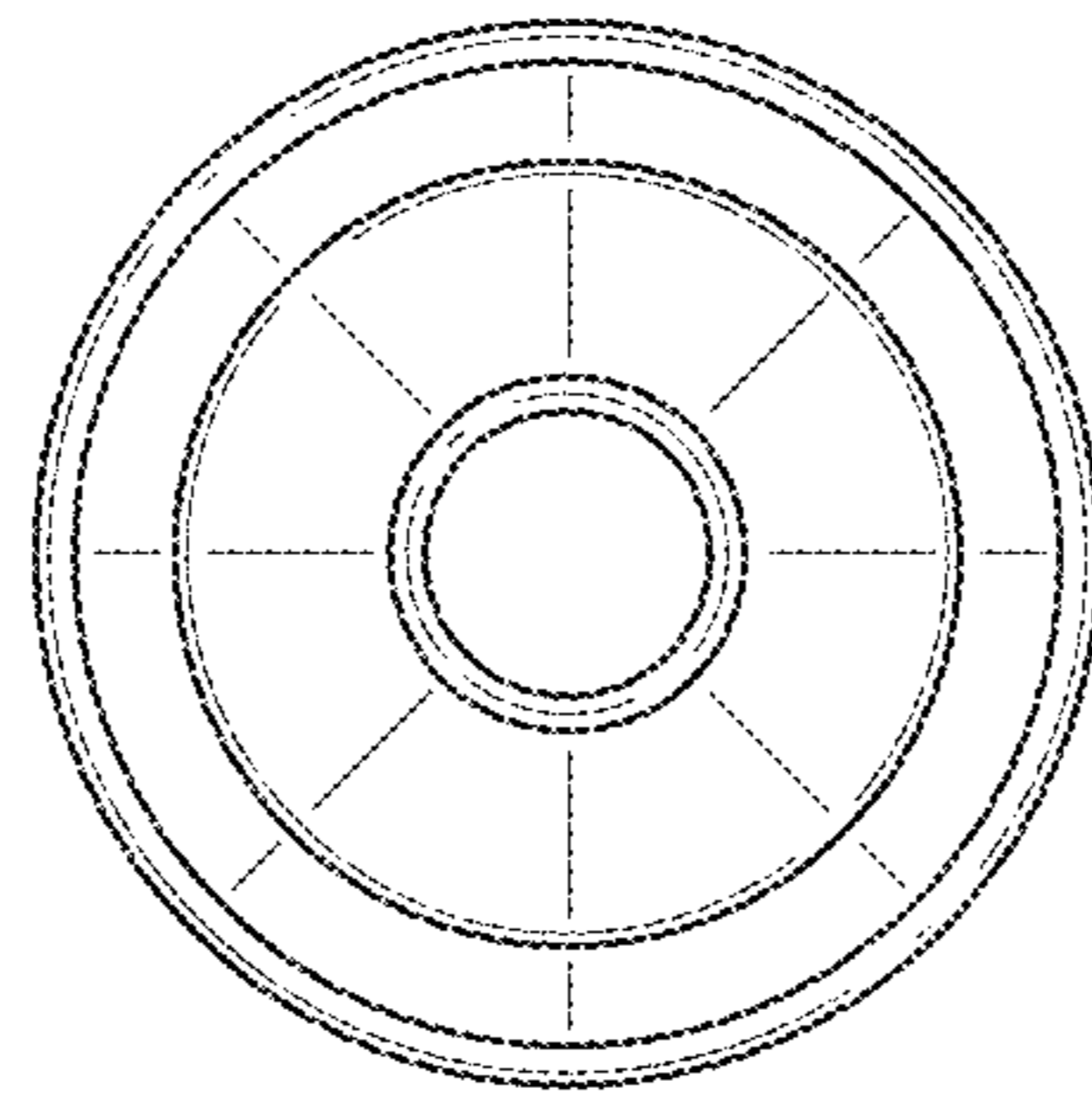


FIG. 7

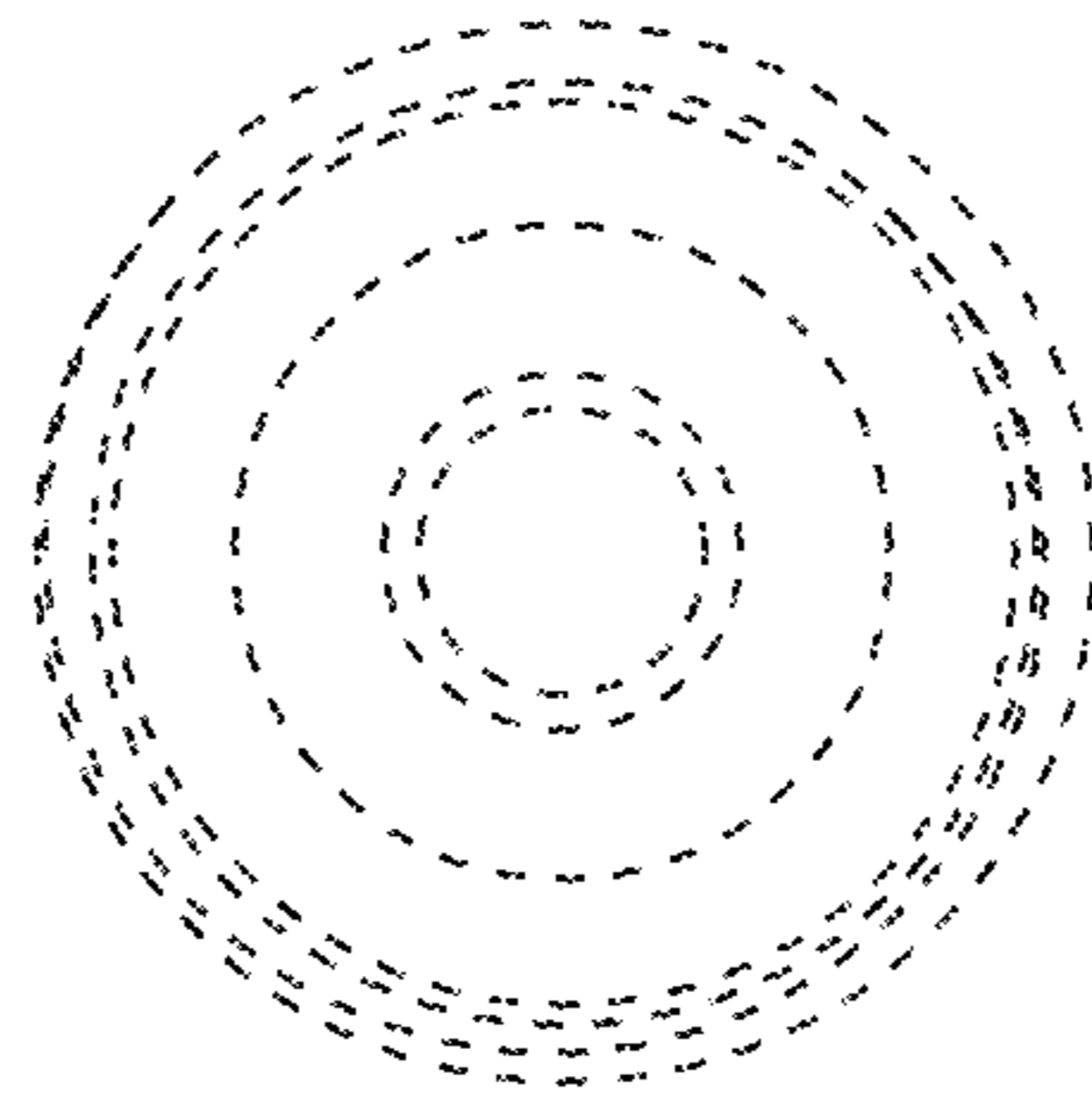


FIG. 8

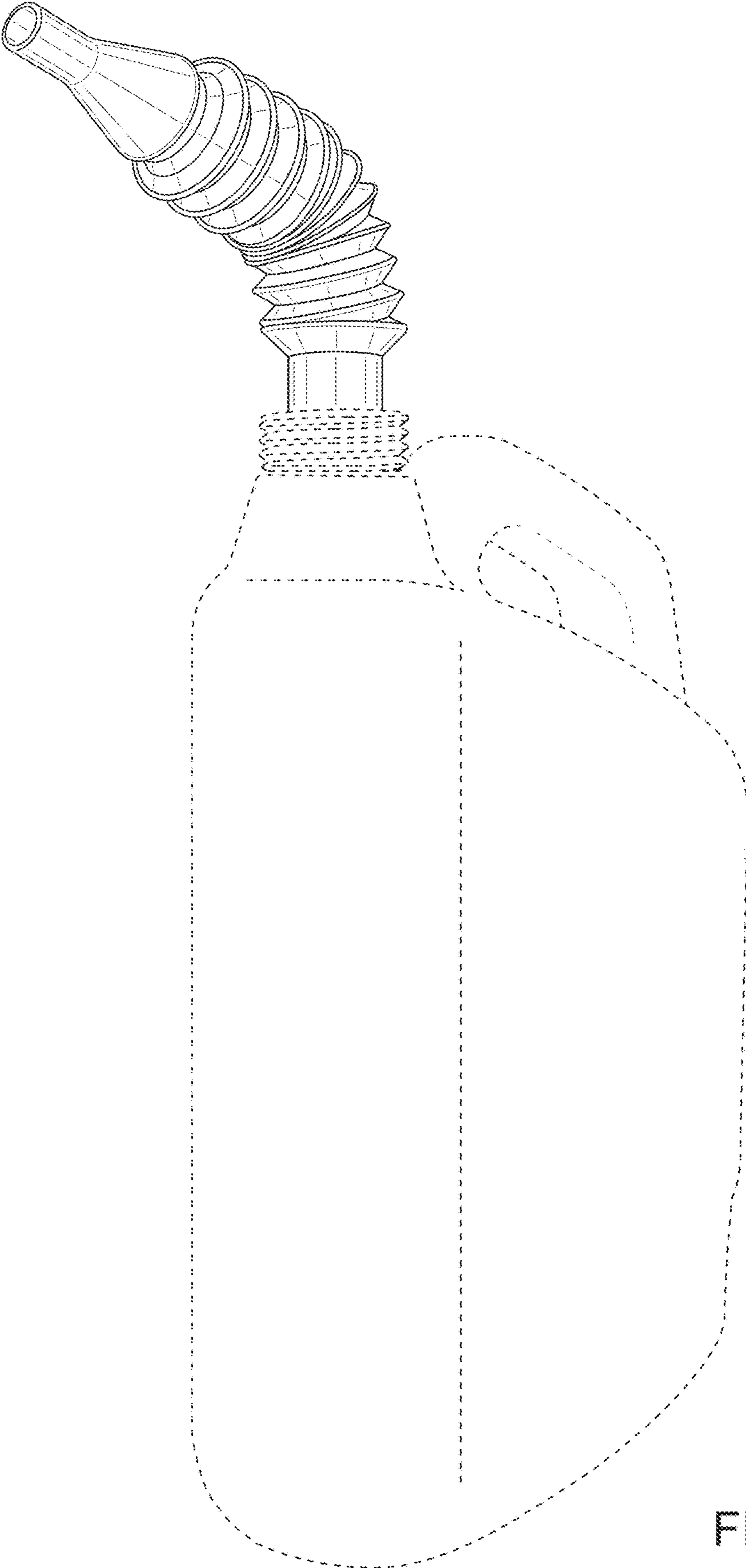


FIG. 9