



US00D888195S

(12) **United States Design Patent**
Cocks et al.

(10) **Patent No.:** **US D888,195 S**
(45) **Date of Patent:** **** Jun. 23, 2020**

- (54) **SHOWER ROSE**
- (71) Applicant: **Phoenix Industries Pty Ltd,**
Bayswater, Victoria (AU)
- (72) Inventors: **Andrew John Cocks,** Bayswater (AU);
Ban Hsi Liu, Bayswater (AU)
- (73) Assignee: **Phoenix Industries Pty Ltd.,**
Bayswater (AU)
- (**) Term: **15 Years**
- (21) Appl. No.: **29/630,825**

D659,794 S	5/2012	Flowers	
D669,156 S	10/2012	Schoenherr	
D672,010 S *	12/2012	Verdeflor	D23/213
D681,781 S *	5/2013	Cutler	D23/229
D694,357 S *	11/2013	Brodey	D23/213
D694,359 S *	11/2013	Schoenherr	D23/213
D694,361 S	11/2013	Schoenherr	
D694,856 S *	12/2013	Madsen	D23/229
D697,177 S	1/2014	Schoenherr	
D707,328 S *	6/2014	Schoenherr	D23/213
D710,973 S *	8/2014	Madsen	D23/229
D713,004 S	9/2014	Schoenherr	
D713,498 S	9/2014	Schoenherr	
D714,421 S	9/2014	Flowers	
8,991,432 B2 *	3/2015	Zhou	B05B 1/18 137/883

(Continued)

- (22) Filed: **Dec. 22, 2017**
- (30) **Foreign Application Priority Data**
Jun. 28, 2017 (AU) 201713954
- (51) **LOC (12) Cl.** **23-01**
- (52) **U.S. Cl.**
USPC **D23/213**
- (58) **Field of Classification Search**
USPC D23/213, 223, 226, 228, 229, 230
CPC .. B05B 1/00; B05B 1/02; B05B 1/005; B05B
1/14; B05B 1/18; B05B 1/185
See application file for complete search history.

(56) **References Cited**

U.S. PATENT DOCUMENTS

D512,120 S *	11/2005	Haug	D23/213
D524,406 S *	7/2006	Hoernig	D23/213
D556,855 S *	12/2007	Mullenmeister	D23/213
D562,937 S *	2/2008	Schoenherr	D23/213
D566,228 S *	4/2008	Neagoe	D23/213
D590,917 S	4/2009	Schoenherr	
D593,640 S *	6/2009	Schoenherr	D23/213
D613,370 S *	4/2010	Allard	D23/213
D654,983 S	2/2012	Schoenherr	
D655,386 S	3/2012	Schoenherr	
D655,783 S	3/2012	Schoenherr	

OTHER PUBLICATIONS

8 Inch Rainfall Shower Head by WaterPoint. Available date Feb. 12, 2017 [site visited Aug. 22, 2019]. Available: <https://www.amazon.com/Inch-Rainfall-Shower-Head-WaterPoint/dp/B07R62JT94/ref=sr_1_75?keywords=showerhead&qid=1566490142&s=gateway&sr=8-75> (Year: 2017).*

Primary Examiner — Kevin K Rudzinski
(74) *Attorney, Agent, or Firm* — Womble Bond Dickinson (US) LLP

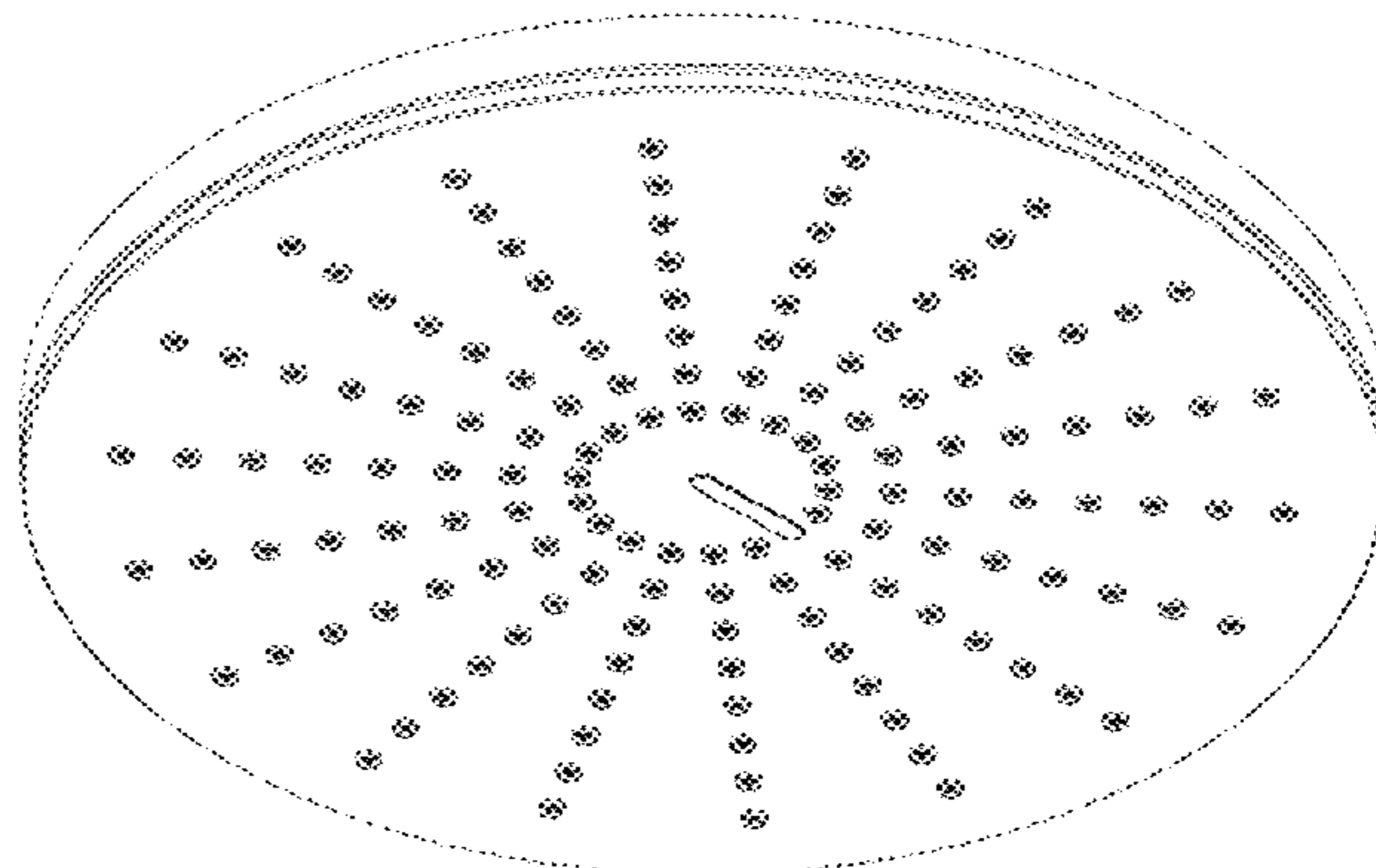
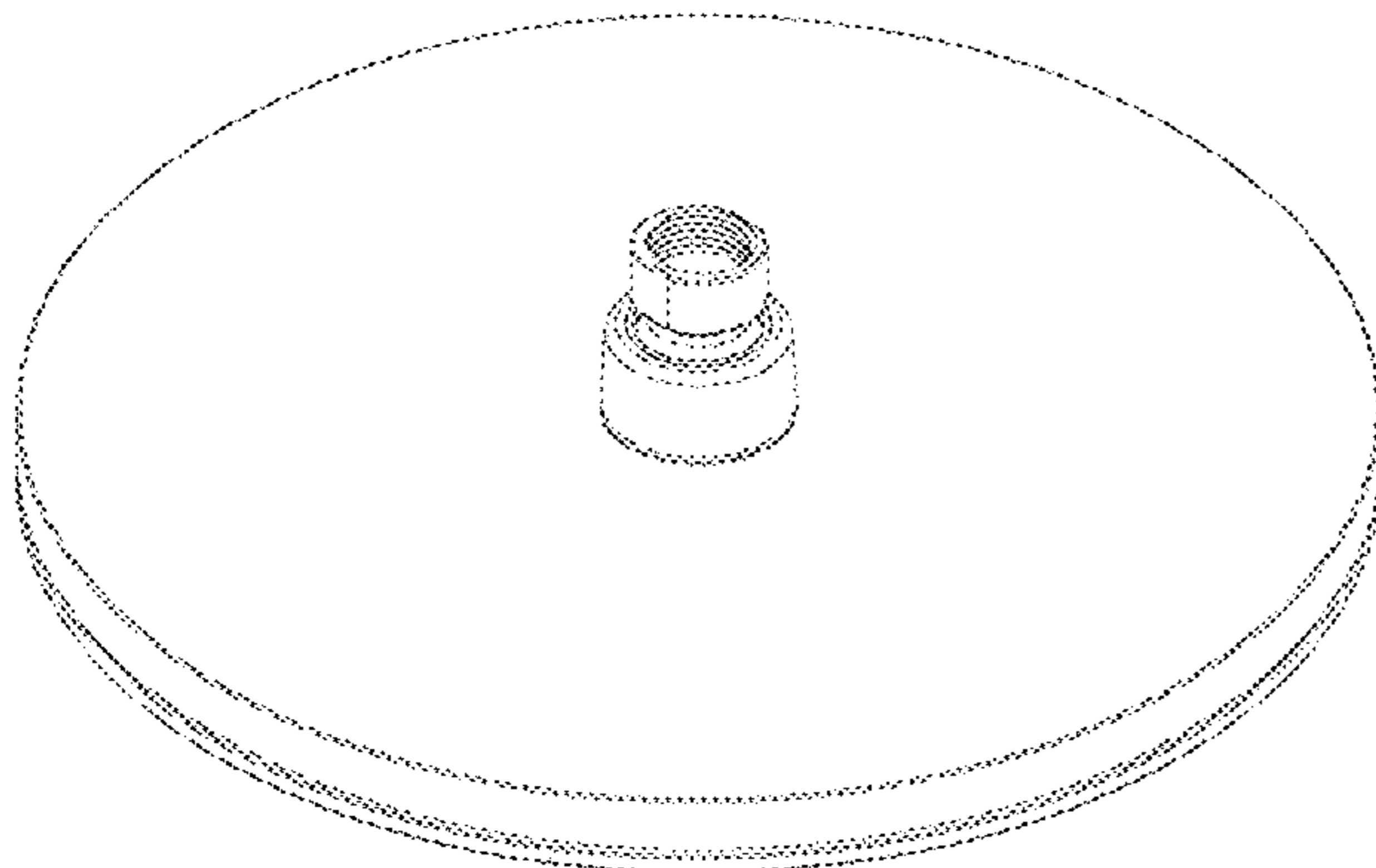
(57) **CLAIM**

We claim the ornamental design for a shower rose, as shown and described.

DESCRIPTION

FIG. 1 is a top perspective view of a shower rose incorporating our new design;
FIG. 2 is a bottom perspective view thereof;
FIG. 3 is a side view thereof;
FIG. 4 is a top view thereof; and,
FIG. 5 is a bottom view thereof.

1 Claim, 3 Drawing Sheets



(56)

References Cited

U.S. PATENT DOCUMENTS

9,027,857 B2 *	5/2015	Kull	B05B 1/1609 239/569
D733,258 S	6/2015	Sandee	
9,046,261 B2	6/2015	Zhang	
D736,348 S *	8/2015	Tan	D23/213
D737,932 S *	9/2015	Nikles	D23/223
D738,991 S *	9/2015	Brodey	D23/213
D749,694 S *	2/2016	Madsen	D23/213
D751,175 S *	3/2016	Schoenherr	D23/213
D751,176 S *	3/2016	Schoenherr	D23/213
D778,402 S	2/2017	Schoenherr	
D778,404 S	2/2017	Schoenherr	
D787,458 S *	5/2017	Kim	D13/182
D820,388 S *	6/2018	Seum	D23/213
D822,157 S *	7/2018	L'Henaff	D23/213
D851,207 S *	6/2019	Cocks	D23/213
D856,475 S *	8/2019	Gessi	D23/213

* cited by examiner

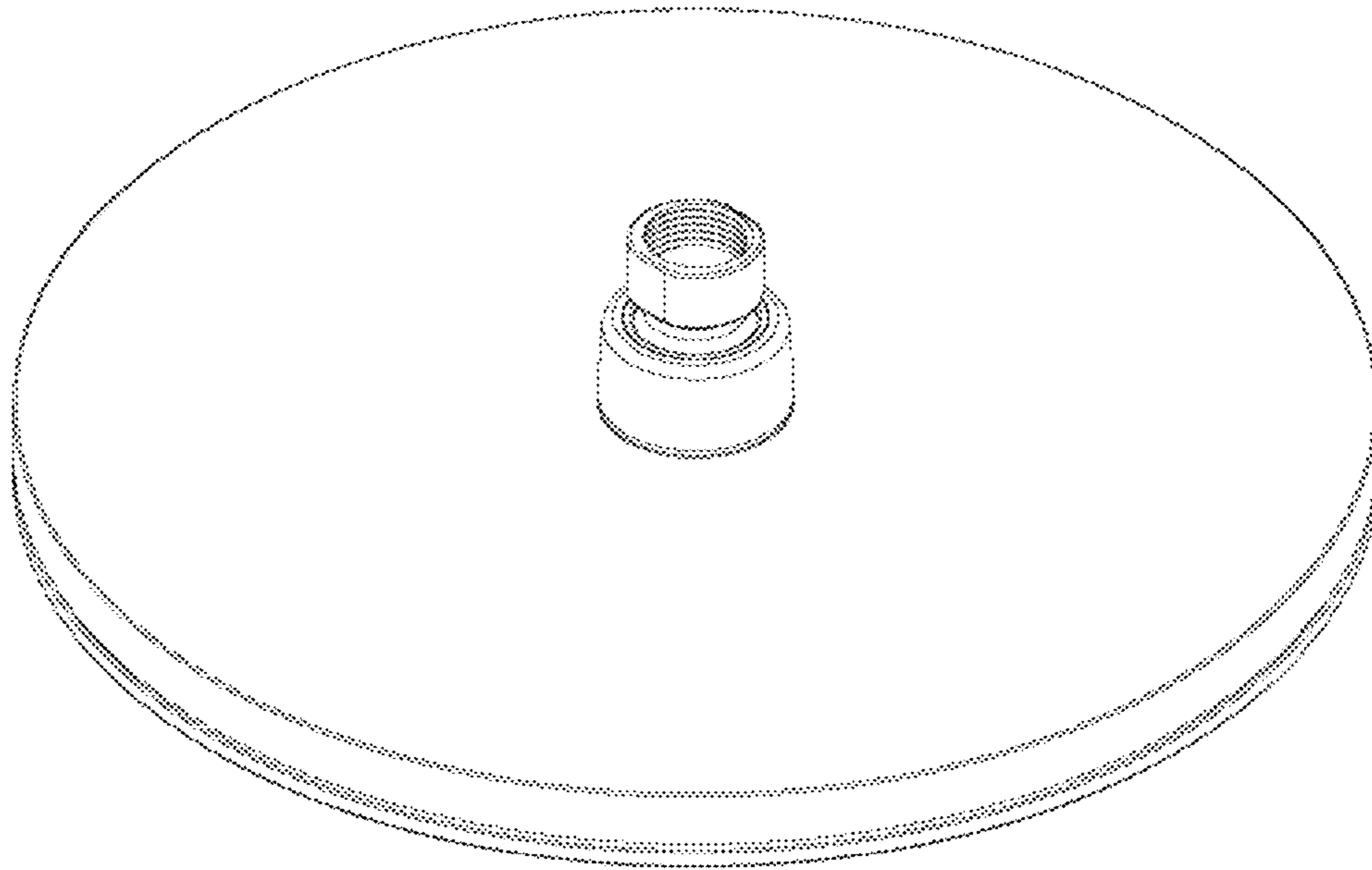


FIG. 1

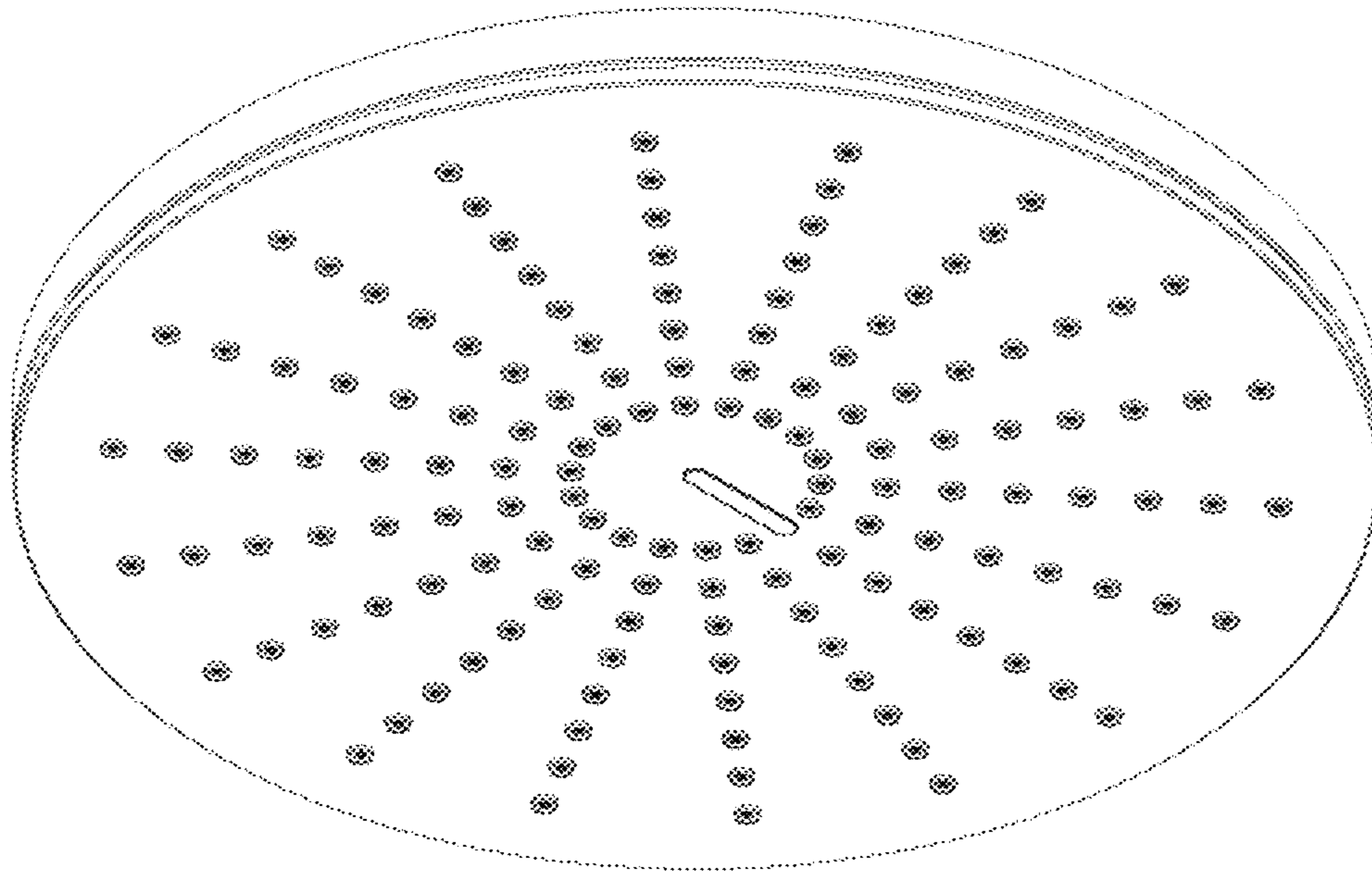


FIG. 2

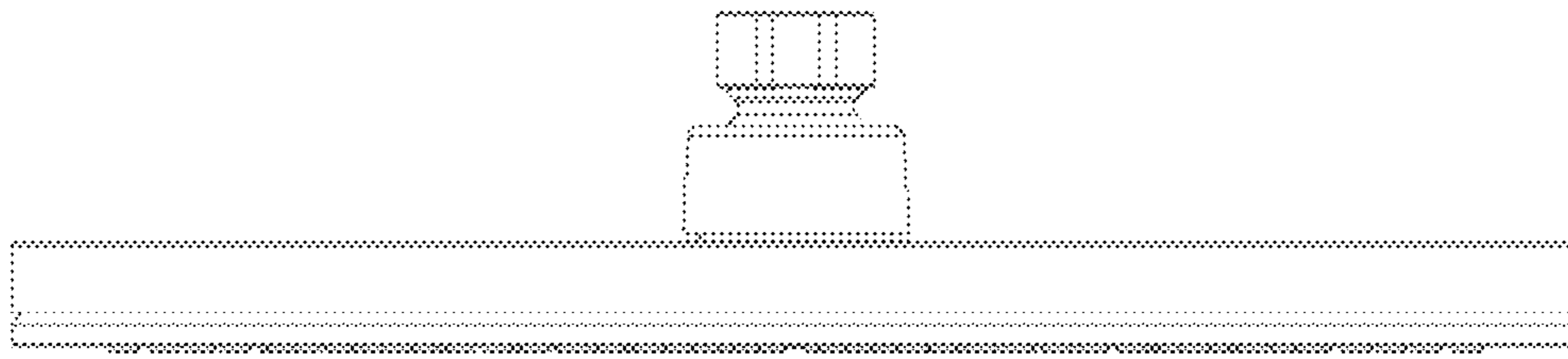


FIG. 3

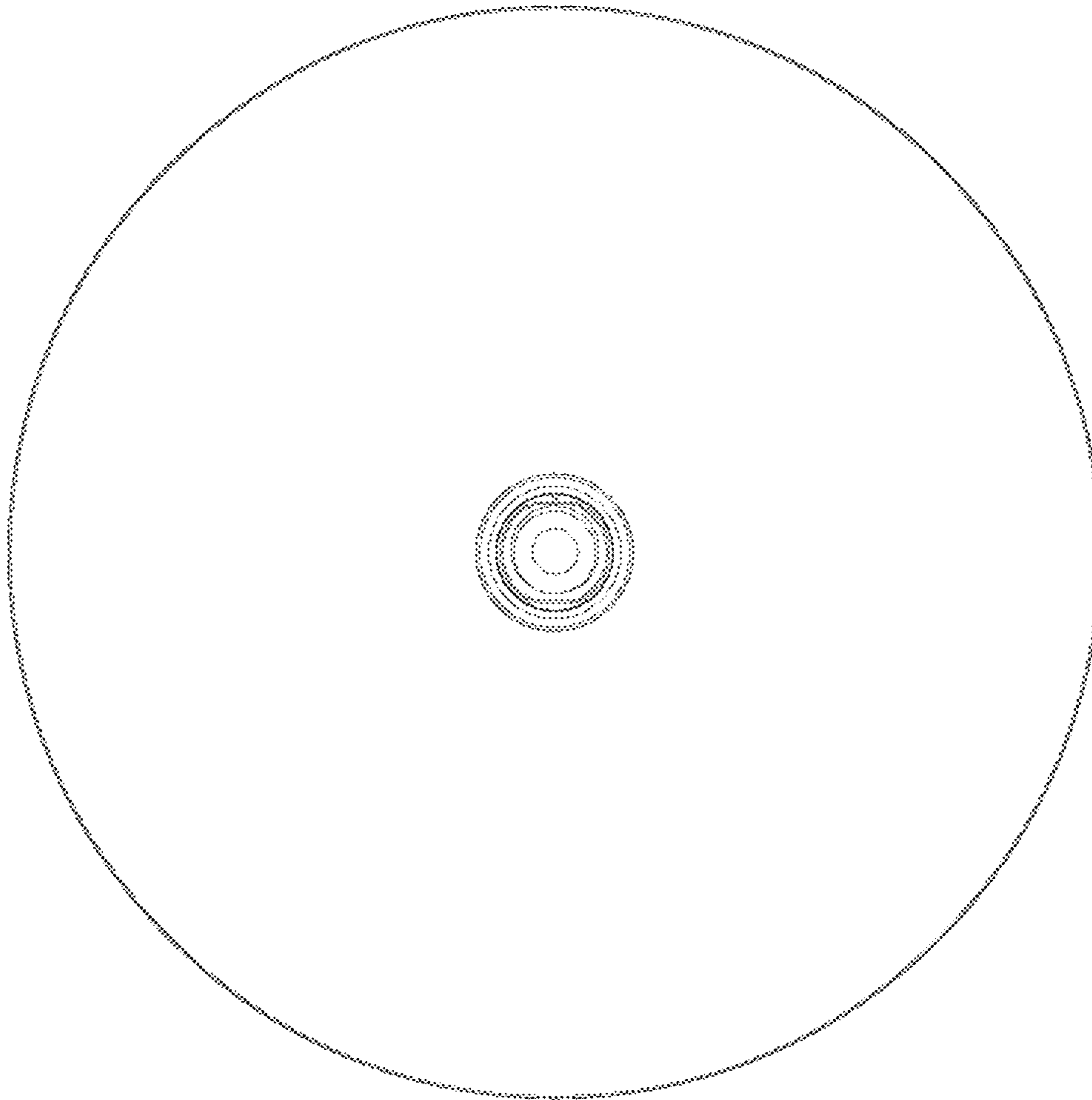


FIG. 4

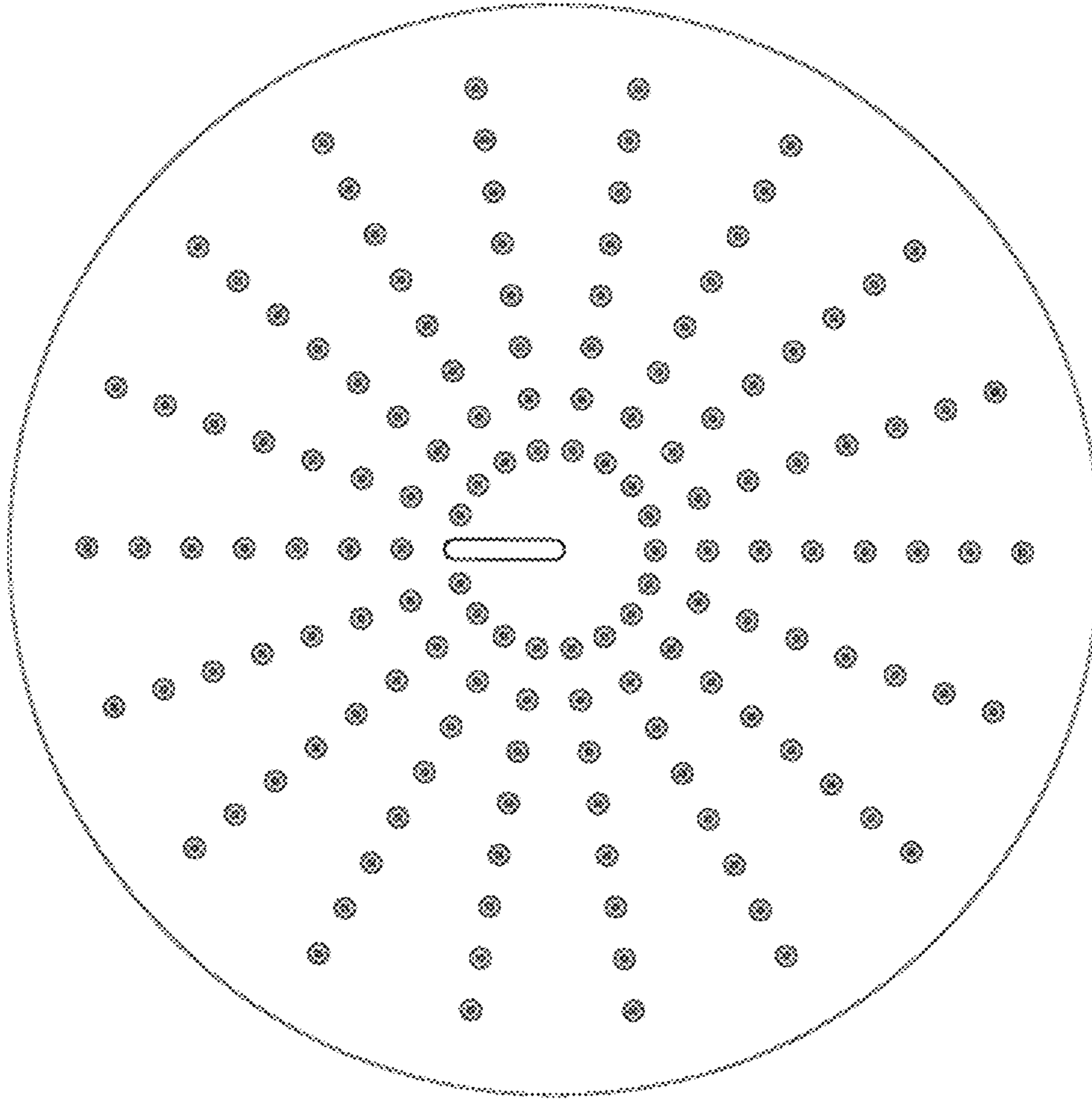


FIG. 5