



US00D888194S

(12) **United States Design Patent**
Cordova et al.

(10) **Patent No.:** **US D888,194 S**
(45) **Date of Patent:** **** Jun. 23, 2020**

(54) **WATER FILTER**

(71) Applicant: **FairCap CIC**, London (GB)

(72) Inventors: **Mauricio Cordova**, Barcelona (ES);
Guillian Graves, Paris (FR); **Cintia Cernadas Piñeiro**, Santa Cruz de Tenerife (ES)

(73) Assignee: **FairCap CIC**, London (GB)

(**) Term: **15 Years**

(21) Appl. No.: **29/673,209**

(22) Filed: **Dec. 12, 2018**

(30) **Foreign Application Priority Data**

Apr. 12, 2018 (GB) 6033074

(51) **LOC (12) Cl.** **23-01**

(52) **U.S. Cl.**
USPC **D23/209**

(58) **Field of Classification Search**
USPC D23/202, 205, 207, 259, 260, 262
CPC B01D 2201/29; B01D 2201/30; B01D 2201/301; B01D 2201/302; B01D 2201/306; B01D 2201/309; B01D 35/30; C02F 1/002; C02F 1/003

See application file for complete search history.

(56) **References Cited**

U.S. PATENT DOCUMENTS

H1157 H * 4/1993 Yanou D23/209
D385,946 S * 11/1997 Harrison C02F 1/002
D23/209
D404,113 S * 1/1999 Denkewicz, Jr. D23/209
6,165,362 A * 12/2000 Nohren, Jr. C02F 1/003
210/266
D448,448 S * 9/2001 Hughes D23/209
6,395,170 B1 5/2002 Hughes et al.
6,569,329 B1 5/2003 Nohren, Jr.

D536,205 S * 2/2007 Jensen D7/300
D551,318 S * 9/2007 MacNeil D23/209
D571,433 S * 6/2008 Koteskey D23/209
D596,703 S * 7/2009 McKinney D23/209
D621,660 S * 8/2010 Smiedt D7/510
D631,286 S * 1/2011 Smiedt D7/392.1
D643,090 S * 8/2011 Cumberland C02F 1/003
D23/209

(Continued)

OTHER PUBLICATIONS

Challenge.whatdesigncando.com, Climate Change Challenge, Faircap: The open water filter, online publication by designer, Oct. 19, 2017, retrieved Dec. 29, 2019 from <URL:https://web.archive.org/web/20171019082520/https://challenge.whatdesigncando.com/projects/faircap-the-open-water-filtered> (Year: 2017).*

(Continued)

Primary Examiner — Sheryl Lane

Assistant Examiner — Calvin E Vansant

(74) *Attorney, Agent, or Firm* — Morrison & Foerster LLP

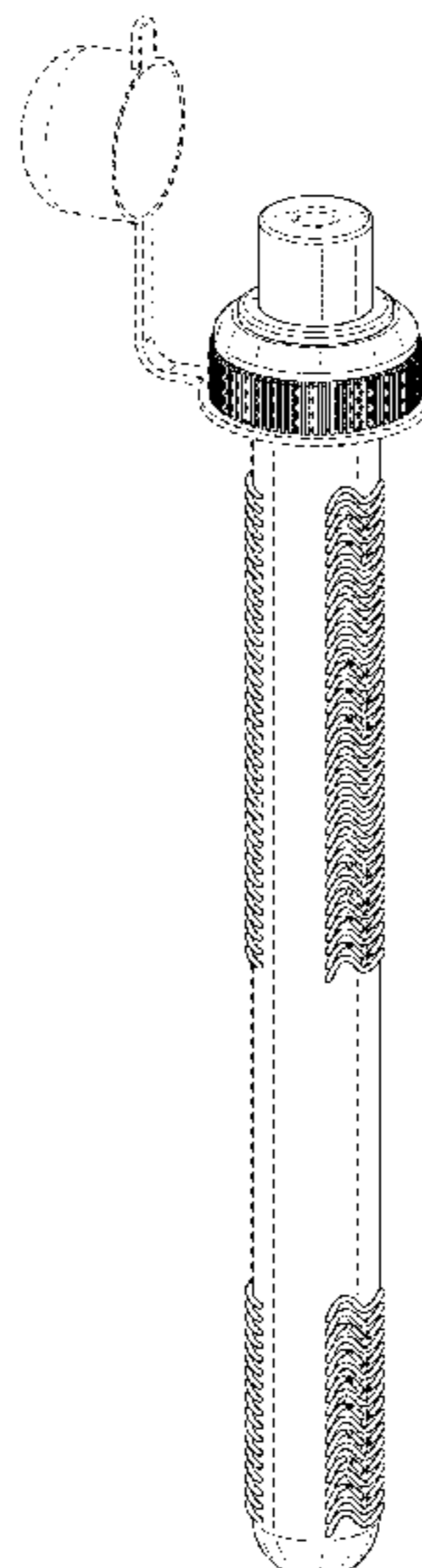
(57) **CLAIM**

We claim the ornamental design for a water filter, as shown and described.

DESCRIPTION

FIG. 1 is a perspective view of a water filter showing our new design;
FIG. 2 is a front view thereof;
FIG. 3 is a rear view thereof;
FIG. 4 is a side view thereof;
FIG. 5 is a side view of the opposite side of FIG. 4;
FIG. 6 is a top view thereof;
FIG. 7 is a bottom view thereof; and,
FIG. 8 is a perspective view thereof showing environment. The broken lines shown in the drawings illustrate portions of the water filter that form no part of the claimed design.

1 Claim, 5 Drawing Sheets



(56)

References Cited

U.S. PATENT DOCUMENTS

8,852,439 B2 10/2014 Frauchiger et al.
D753,790 S * 4/2016 Torgerud D23/209
D753,791 S * 4/2016 Rashid D23/209
9,469,550 B2 * 10/2016 Closi, Jr. C02F 1/002
D773,014 S * 11/2016 Pale D23/209
D776,239 S * 1/2017 Westrick D23/209
D815,247 S * 4/2018 Homer D23/209
D815,714 S * 4/2018 Bell D23/209
2005/0035041 A1 2/2005 Nohren, Jr. et al.
2013/0199989 A1 8/2013 Carter et al.

OTHER PUBLICATIONS

Faircap.org, Cordova, M. How it all started, blog posted dated April 13, 2016, retrieved Dec. 29, 2019 from <URL:http://faircap.org/how-it-all-started-2/> (Year: 2015).*

"LifeStraw Choose Your Product," located at <https://web.archive.org/web/20180105052937/https://lifestraw.eartheasy.com/> visited on Jan. 5, 2018. (7 pages).

"LifeStraw Universal," located at <https://web.archive.org/web/20170822114011/http://lifestraw.com/products/lifestraw-universal/> visited on Aug. 22, 2017. (3 pages).

"Polysulfone Hollow Fiber Membrane," located at http://www.filcore.co.kr/neweng/images/data/filcore_product_descriptions.pdf visited on Dec. 6, 2018. (33 pages).

"Water Purifier," located at <http://www.filcore.co.kr/neweng/html/products/products01.html> visited on Dec. 18, 2018. (3 pages).

* cited by examiner

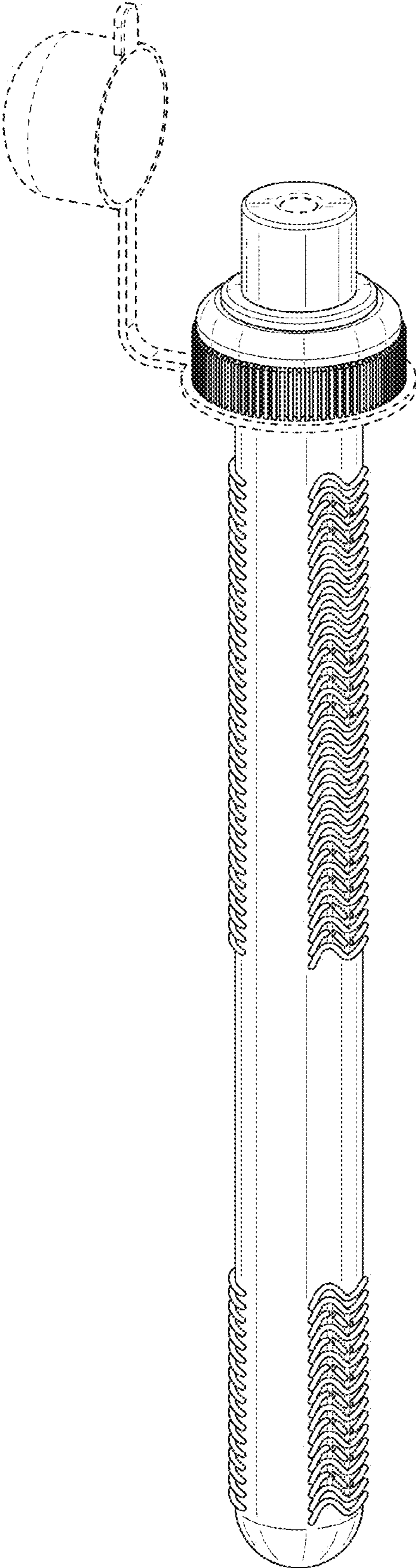


FIG. 1

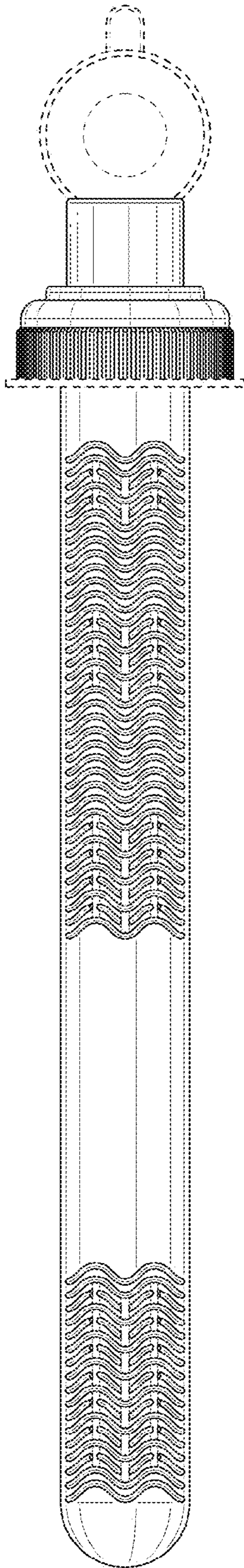


FIG. 2

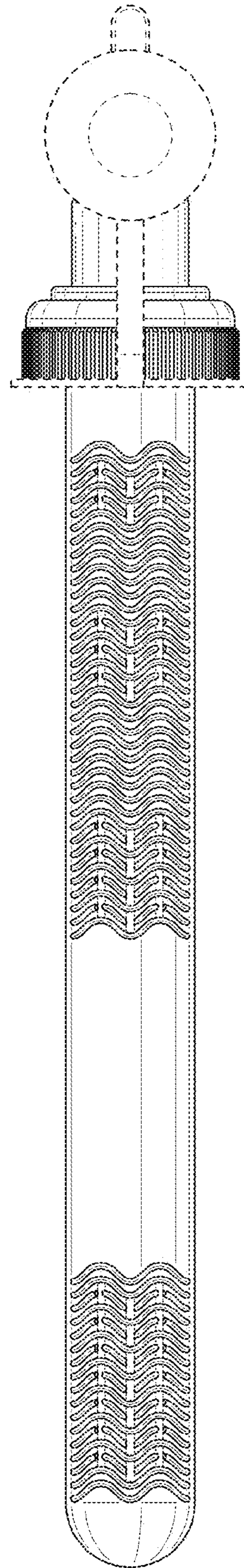


FIG. 3

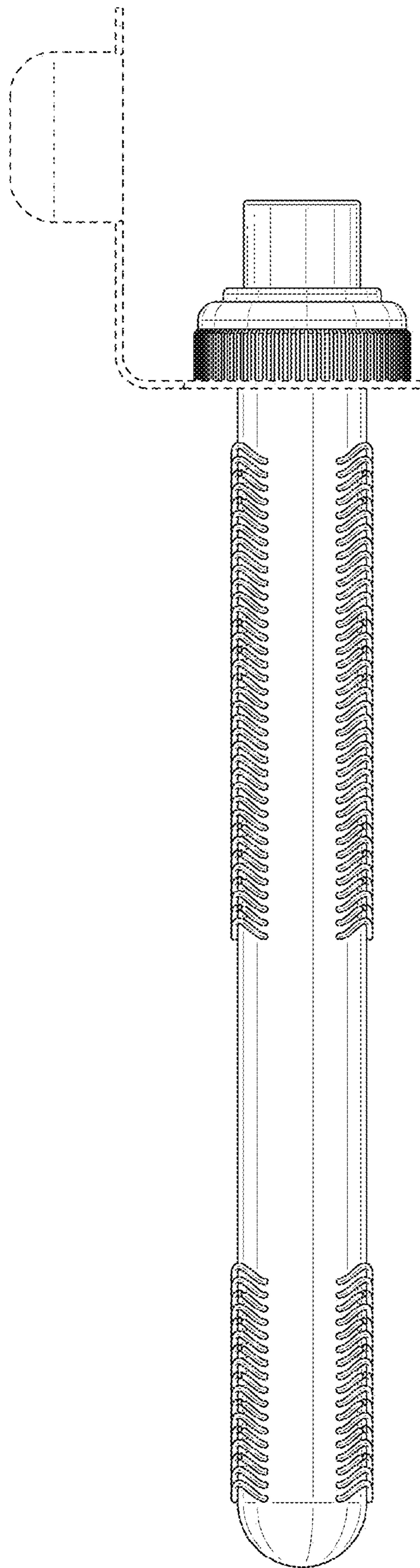


FIG. 4

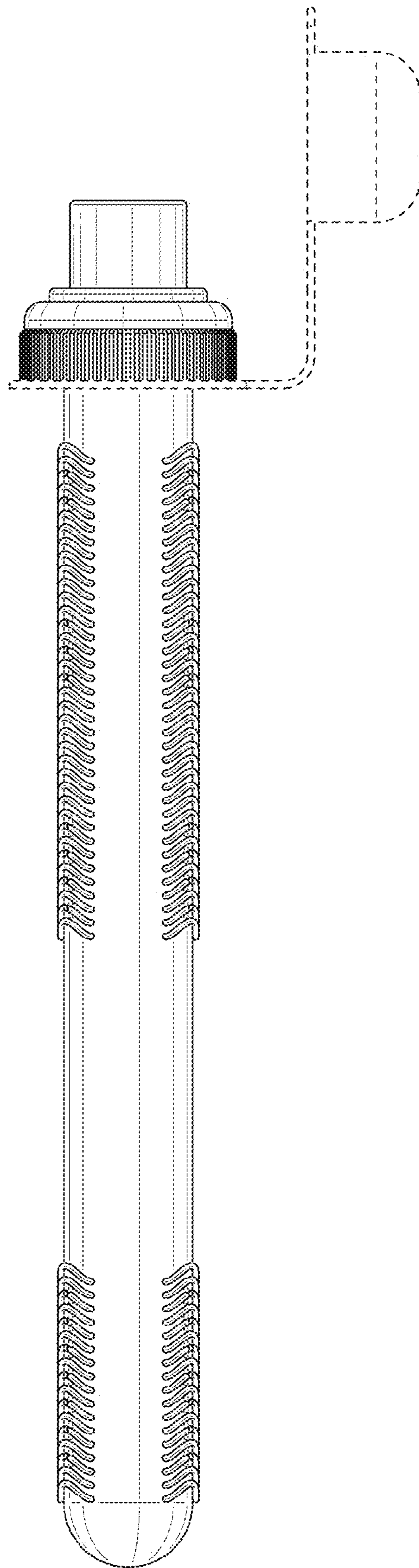


FIG. 5

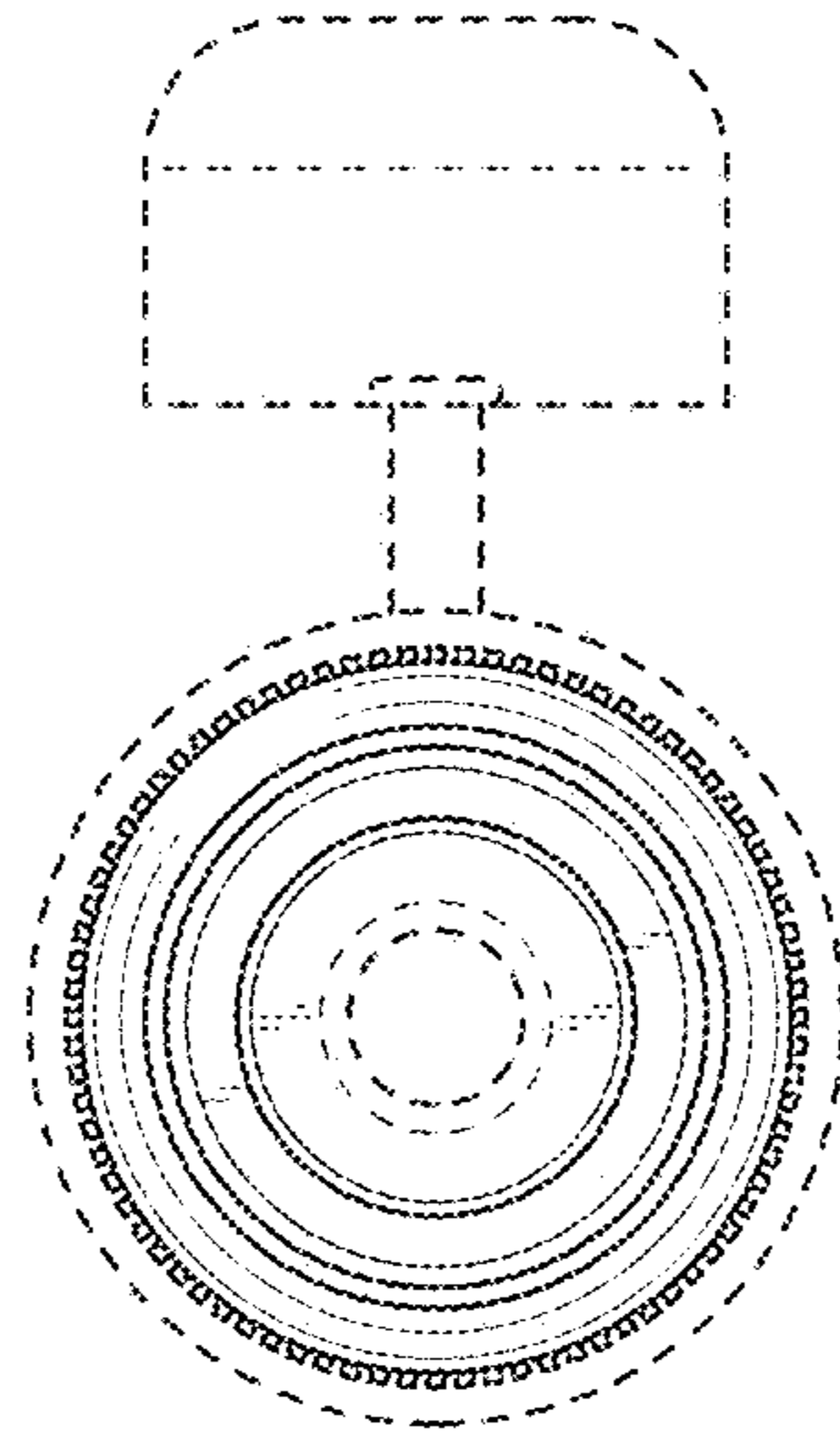


FIG. 6

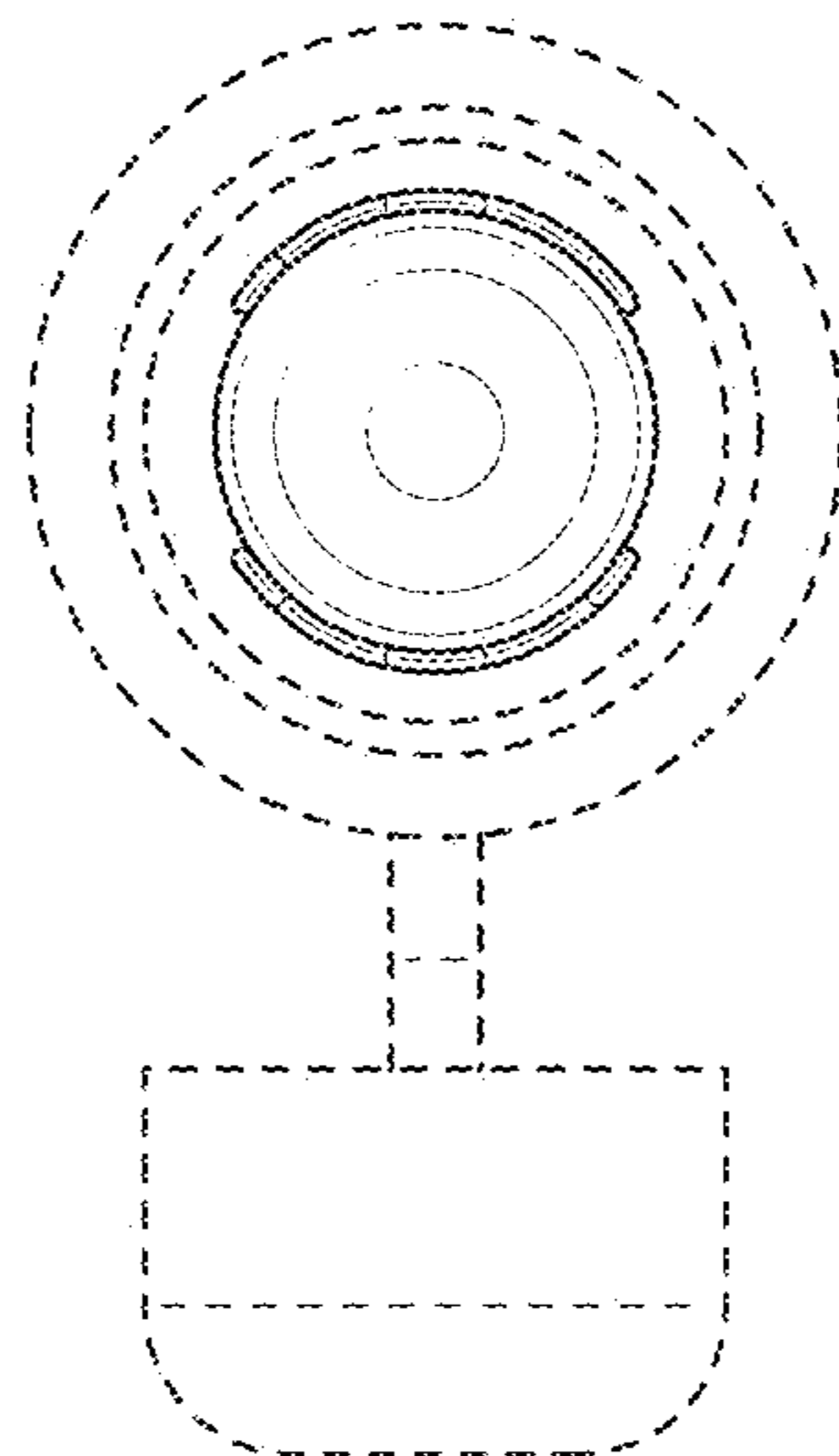


FIG. 7

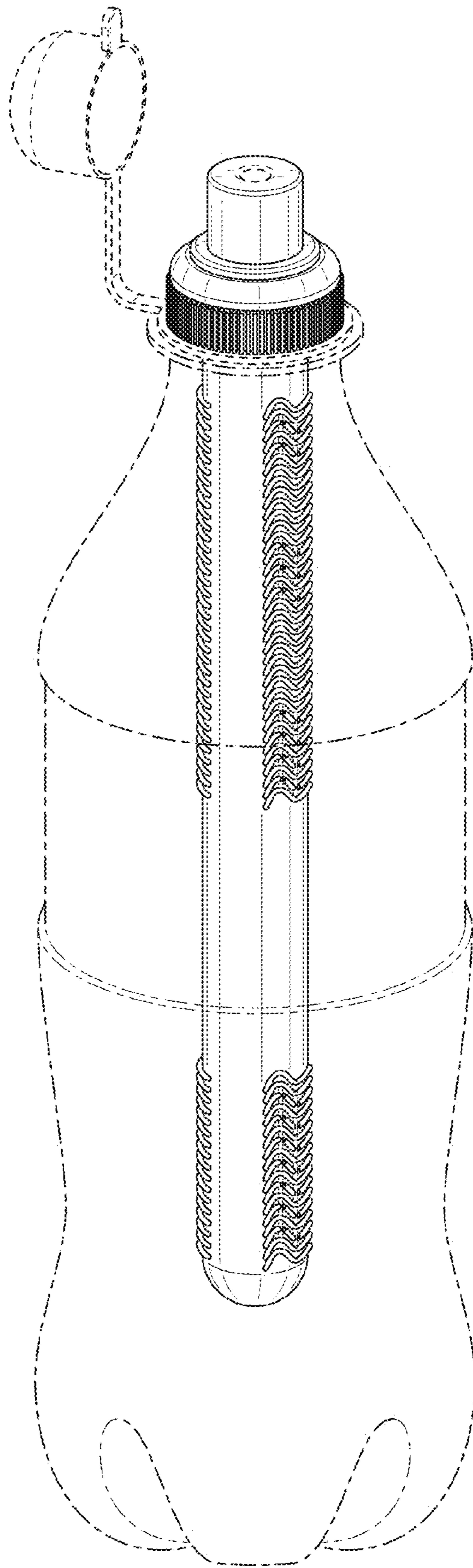


FIG. 8