



US00D888193S

(12) **United States Design Patent**
Jenzeh

(10) **Patent No.:** **US D888,193 S**
(45) **Date of Patent:** **** Jun. 23, 2020**

(54) **APPARATUS FOR TREATMENT OF SHOWER WATER**

(71) Applicant: **Michael Jenzeh**, Oakland, CA (US)

(72) Inventor: **Michael Jenzeh**, Oakland, CA (US)

(**) Term: **15 Years**

(21) Appl. No.: **29/655,616**

(22) Filed: **Jul. 5, 2018**

(51) **LOC (12) Cl.** **23-01**

(52) **U.S. Cl.**
USPC **D23/209**

(58) **Field of Classification Search**
USPC D23/200, 207, 208, 209; 210/87, 232, 210/238, 244, 282, 747.3, 767; D7/700; D32/53; D24/162, 132; 4/223, 225.1, 4/227.1, 231

CPC .. B01D 35/143; B01D 35/30; B01D 19/0031; B01D 29/90; B01D 29/27; B01D 29/56; C02F 1/003; C02F 1/283; C02F 1/60
See application file for complete search history.

(56) **References Cited**

U.S. PATENT DOCUMENTS

D361,622 S *	8/1995	Farley	D23/209
D364,446 S *	11/1995	Farley	D23/209
5,549,822 A *	8/1996	Ferguson	B01D 29/055
				210/238
D378,850 S *	4/1997	Howe	D23/209
D416,072 S *	11/1999	Douglas	D23/209
D441,048 S *	4/2001	Archer	D23/209
D462,108 S *	8/2002	Farley	D23/209
D487,497 S *	3/2004	Ti	D23/209
D791,276 S *	7/2017	Sharratt	D23/209
9,902,629 B2	2/2018	Jenzeh		
D848,584 S *	5/2019	Jenzeh	D23/259

D852,320 S *	6/2019	Farley	D23/209
2004/0245179 A1 *	12/2004	Elsegood	B01D 27/00
				210/695
2015/0096928 A1 *	4/2015	Adey	B03C 1/286
				210/222

OTHER PUBLICATIONS

Sprite Chlorgon 2.5-GPM Shower Head Filter [Aug. 26, 2019] found online [Aug. 26, 2019]—<https://www.lowes.com/pd/Sprite-Chlorgon-2-5-GPM-Shower-Head-Filter/1000604057>.*

* cited by examiner

Primary Examiner — Brandon M Rosati
Assistant Examiner — John A Voytek
(74) *Attorney, Agent, or Firm* — Brian Beverly; Beeson Skinner Beverly, LLP

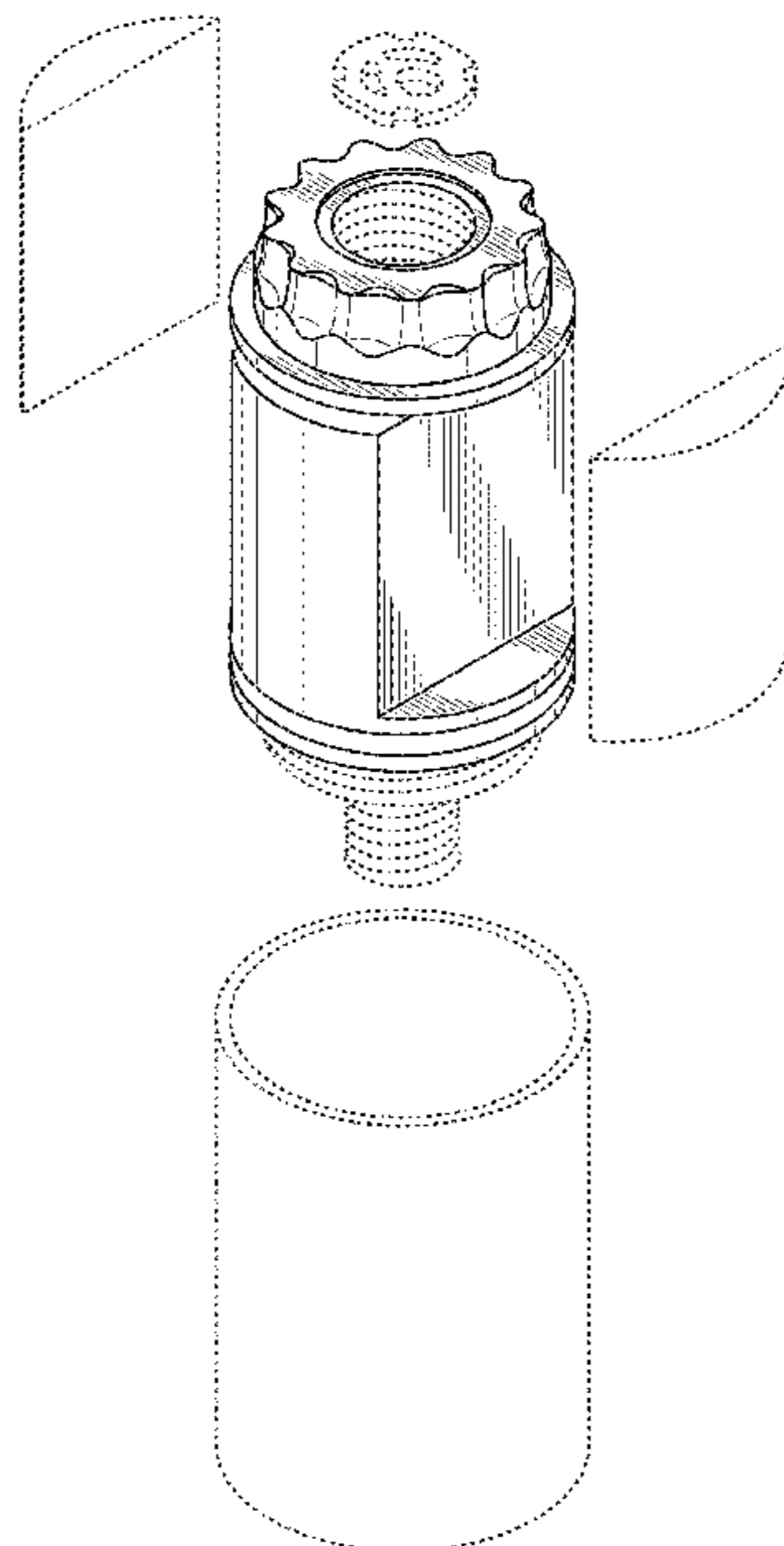
(57) **CLAIM**

The ornamental design for an apparatus for treatment of shower water, as shown and described.

DESCRIPTION

FIG. 1 is an upper left front perspective view showing my new design;
FIG. 2 is an exploded upper left front perspective view thereof;
FIG. 3 is a front elevational view thereof;
FIG. 4 is a right side elevational view thereof, the left side being a mirror image thereof;
FIG. 5 is a rear elevational view thereof;
FIG. 6 is a top plan view thereof; and,
FIG. 7 is a bottom plan view thereof.
The broken lines shown in FIGS. 1-7 show magnets, a sleeve that covers the apparatus, internal rifling, a disk, a large diameter set of threads onto which the sleeve is attached, and a smaller diameter set of threads for attachment of the device to a shower head, all of which form no part of the claimed design.

1 Claim, 4 Drawing Sheets



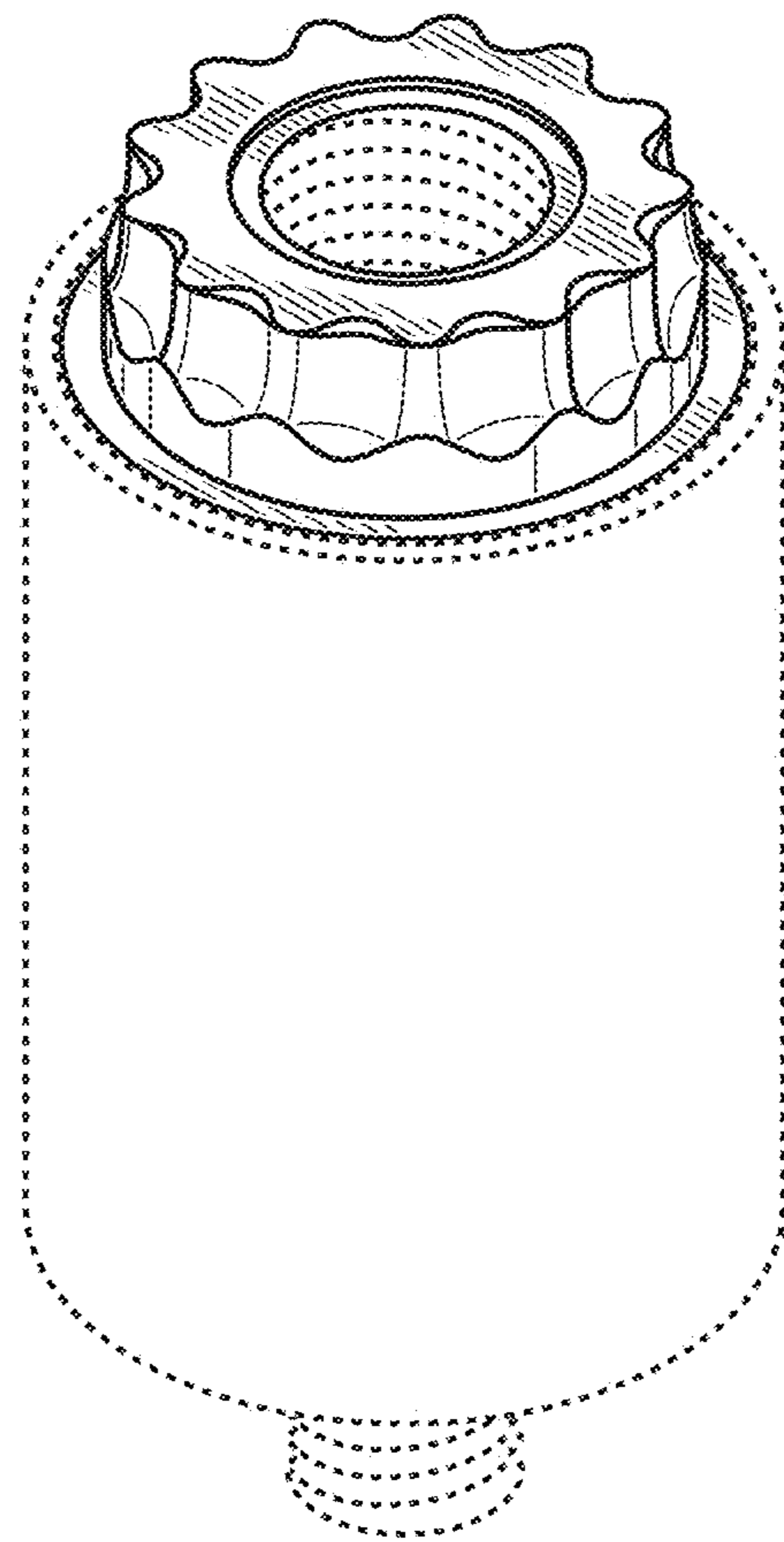
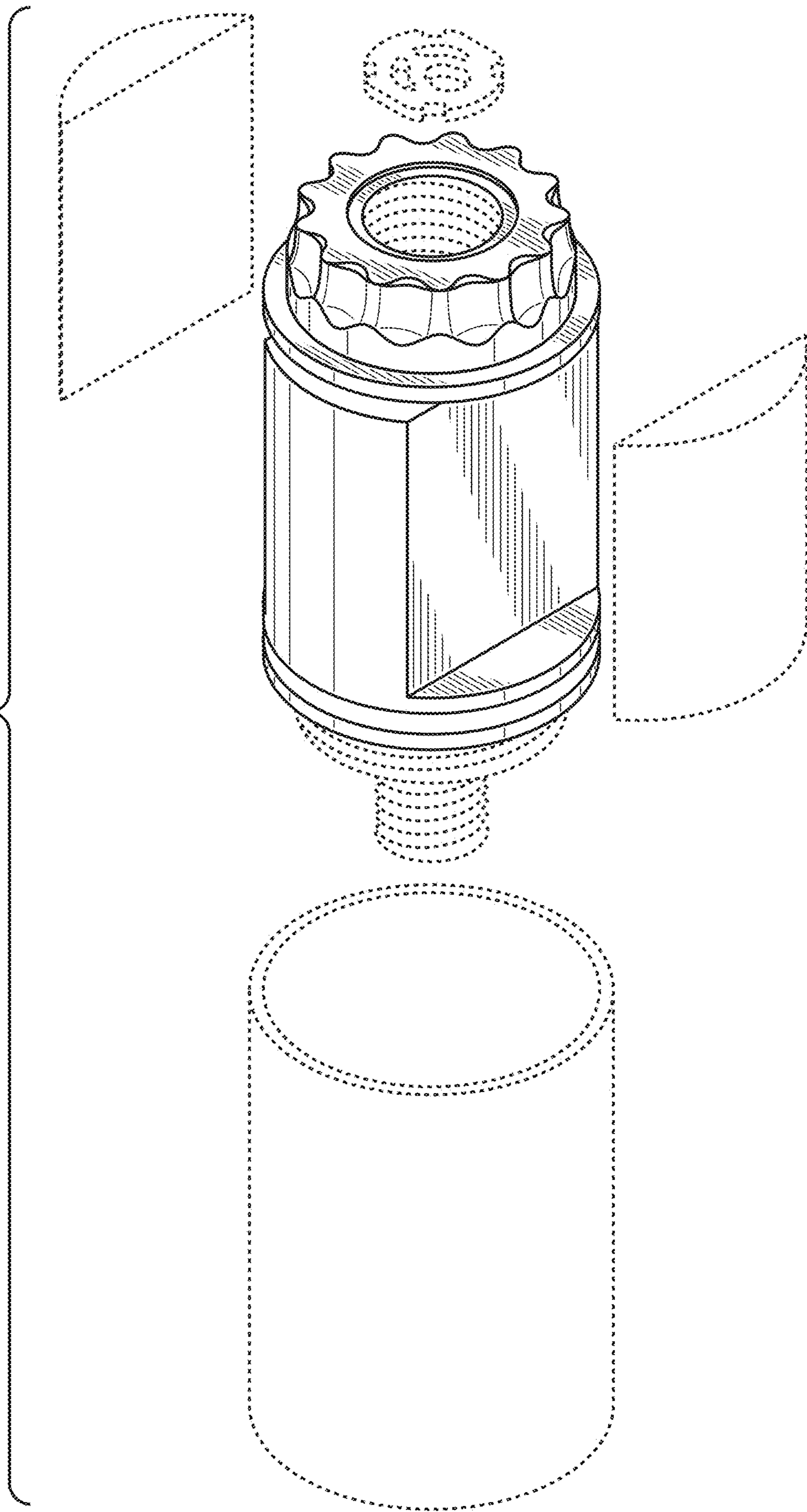


FIG. 1

FIG. 2



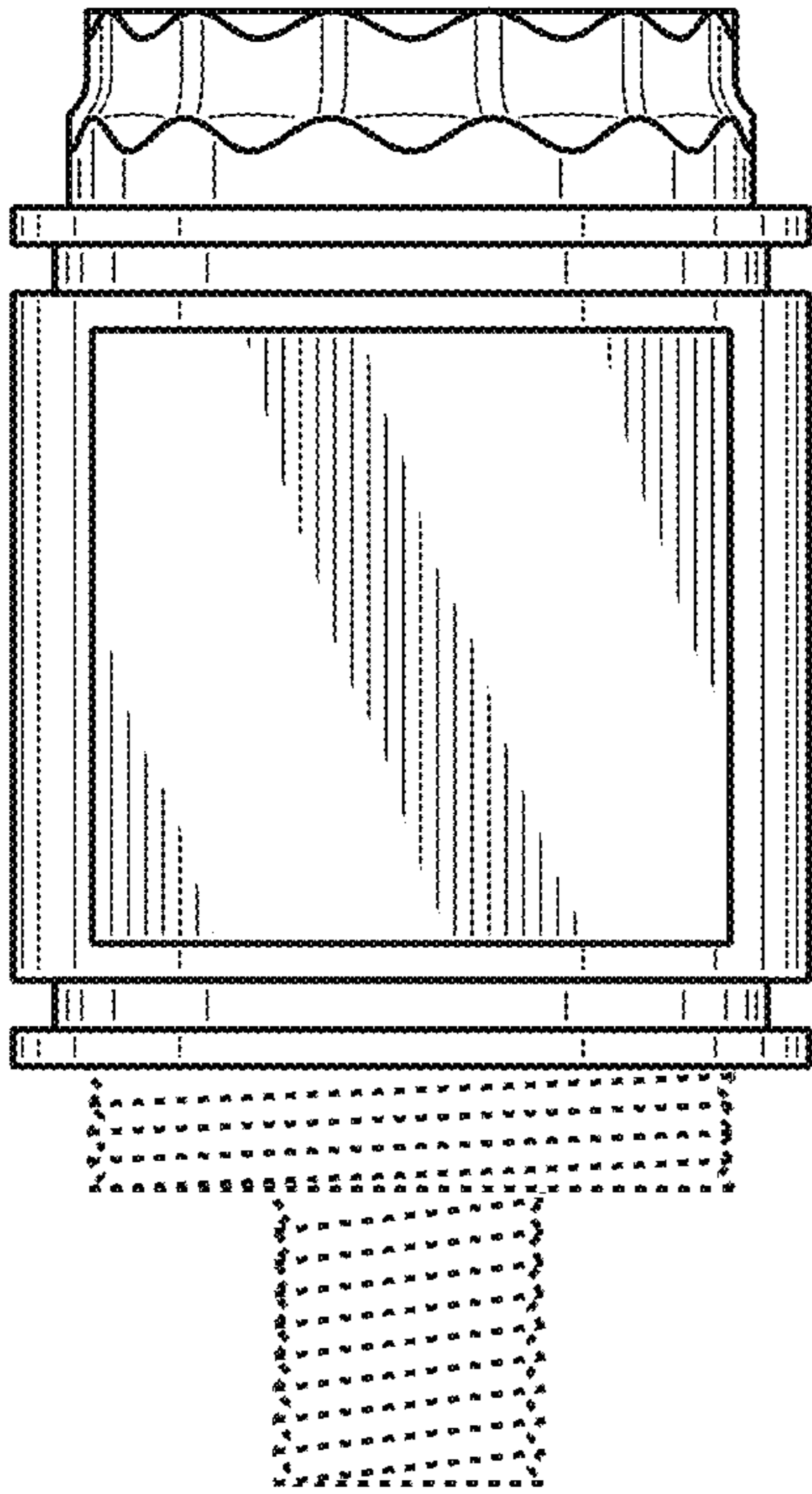


FIG. 3

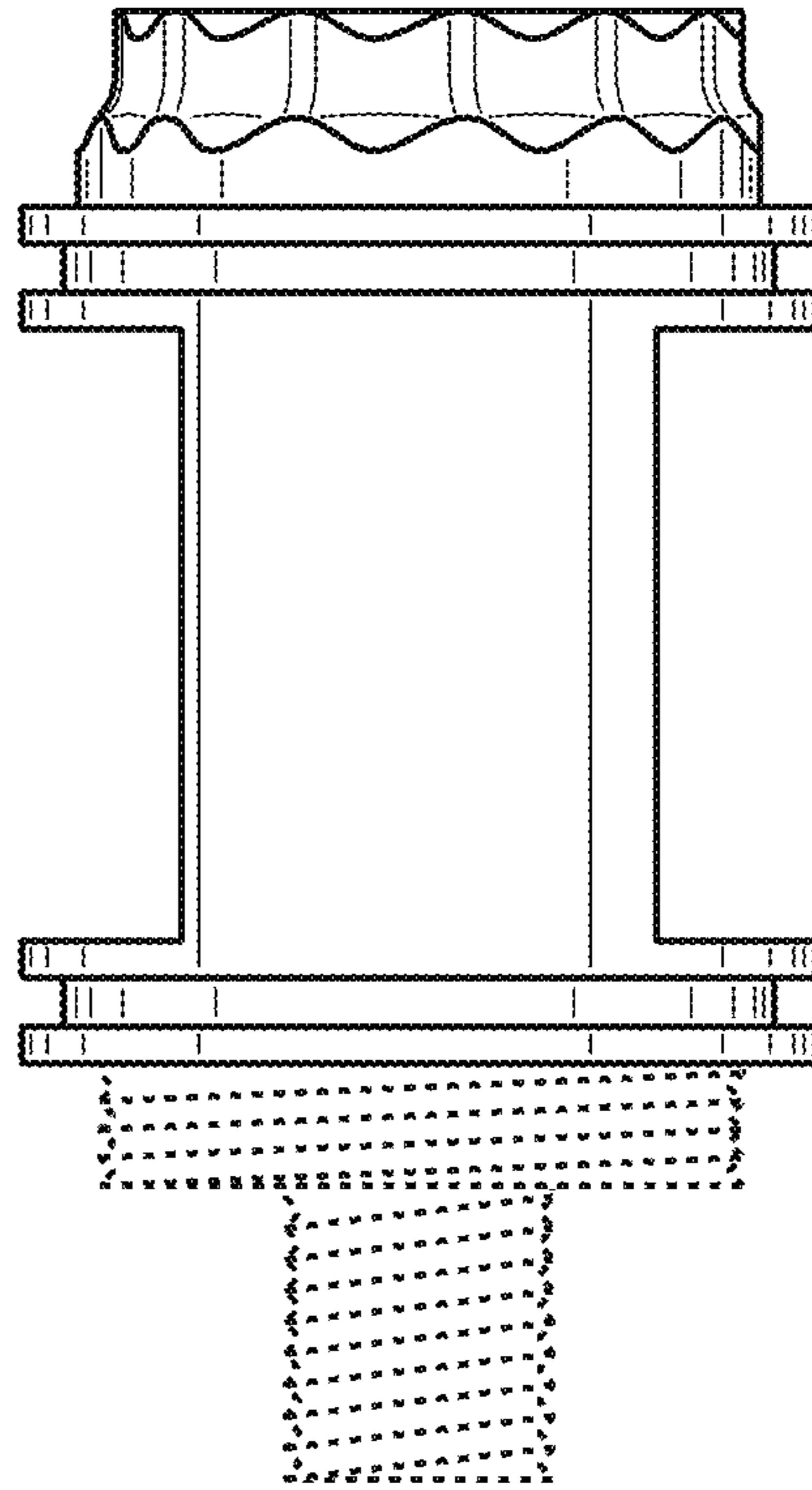


FIG. 4

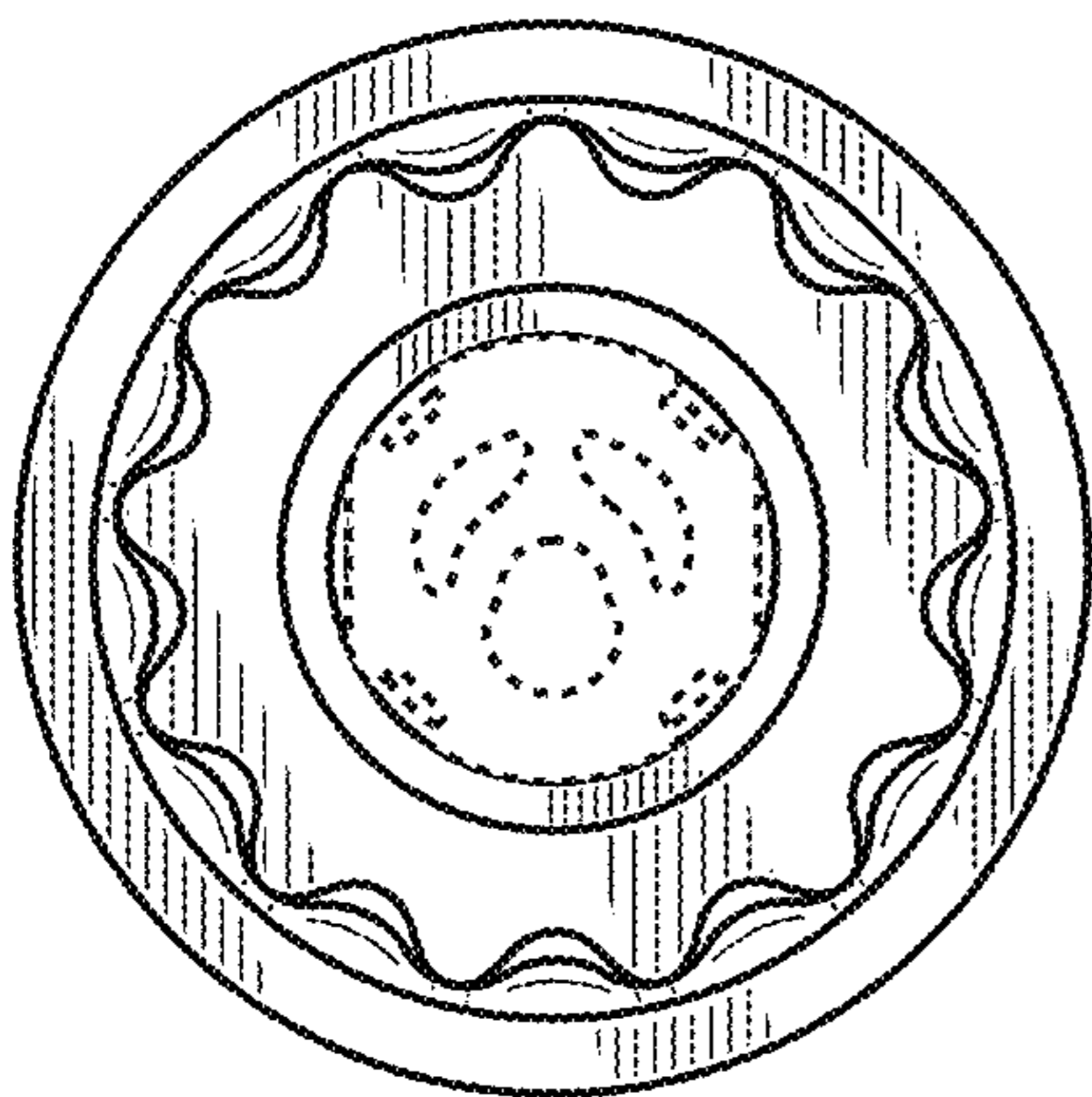


FIG. 6

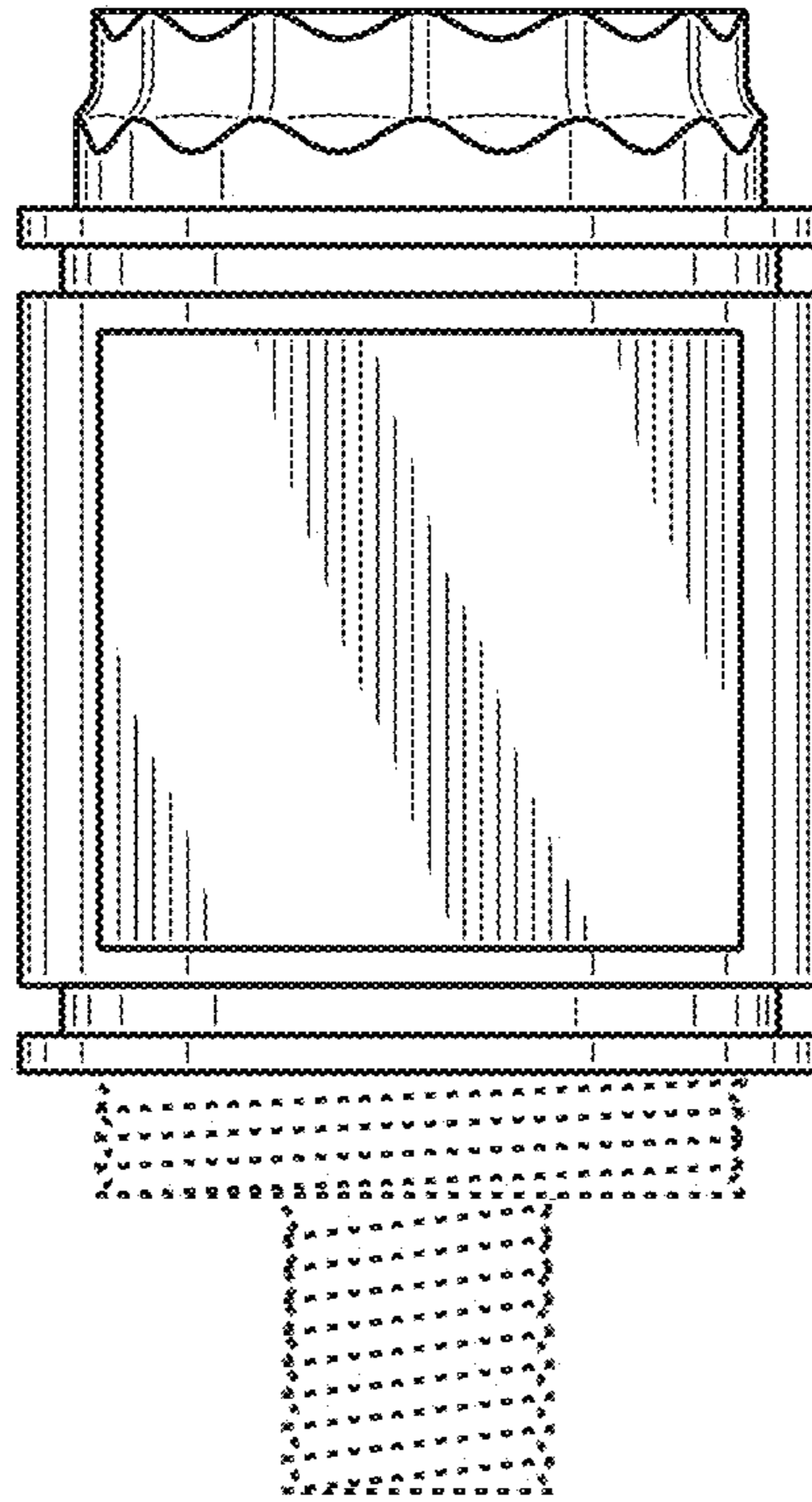


FIG. 5

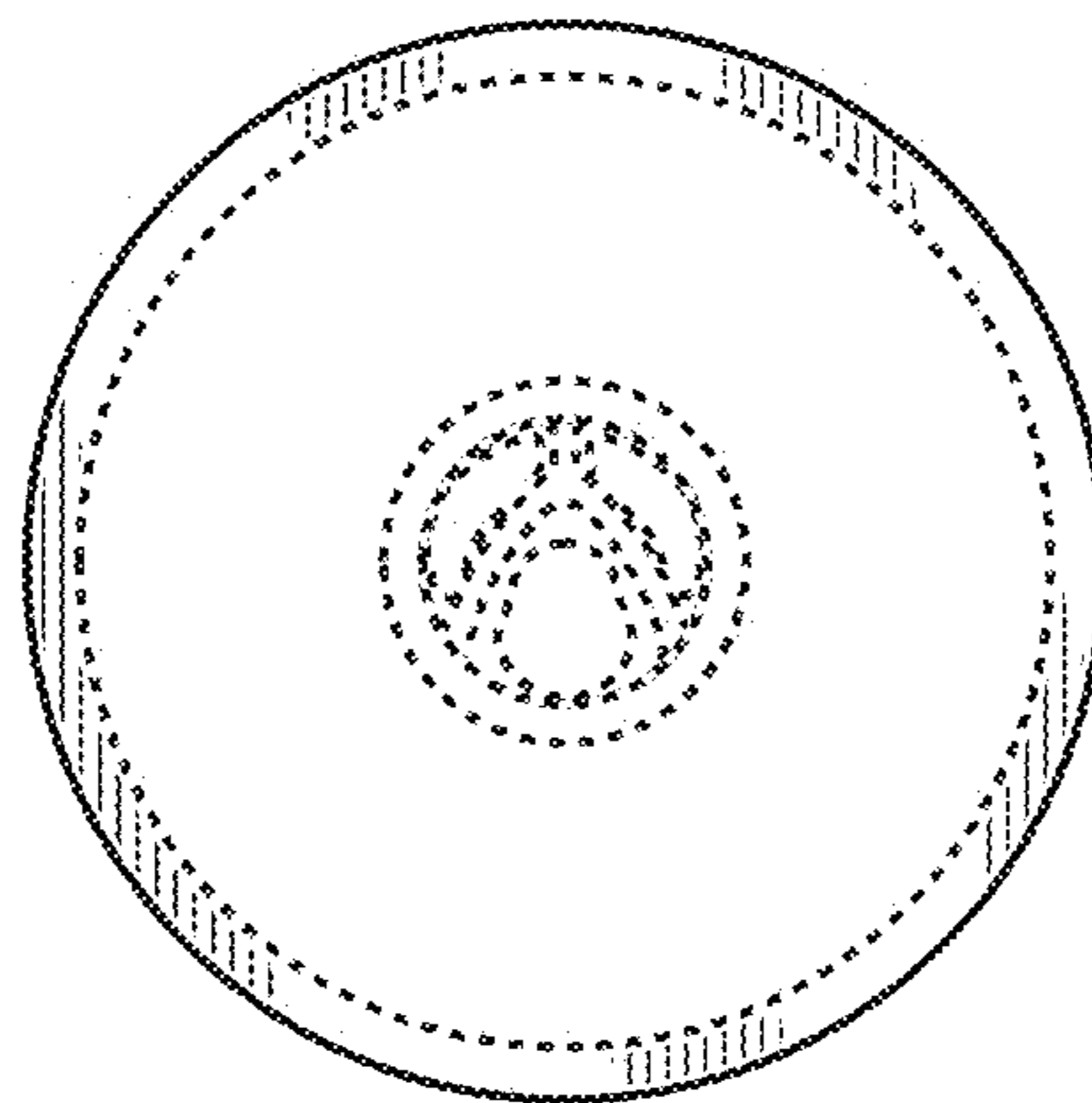


FIG. 7