



US00D888187S

(12) **United States Design Patent** (10) **Patent No.:** **US D888,187 S**  
**Zhang et al.** (45) **Date of Patent:** **\*\* Jun. 23, 2020**

(54) **INSECT TRAP**

(71) Applicant: **BEIJING XIAOMI MOBILE SOFTWARE CO., LTD.**, Beijing (CN)

(72) Inventors: **Lei Zhang**, Beijing (CN); **Ningning Li**, Beijing (CN); **Xiaokang Ma**, Beijing (CN)

(73) Assignee: **BEIJING XIAOMI MOBILE SOFTWARE CO., LTD.**, Beijing (CN)

(\*\*) Term: **15 Years**

(21) Appl. No.: **35/507,271**

(22) Filed: **Sep. 28, 2018**

(80) **Hague Agreement Data**

Int. Filing Date: **Sep. 28, 2018**  
Int. Reg. No.: **DM/202222**  
Int. Reg. Date: **Sep. 28, 2018**  
Int. Reg. Pub. Date: **Aug. 16, 2019**

(30) **Foreign Application Priority Data**

Mar. 28, 2018 (CN) ..... 2018 3 0118821

(51) **LOC (12) Cl.** ..... **22-06**

(52) **U.S. Cl.**  
USPC ..... **D22/122**

(58) **Field of Classification Search**  
USPC ..... D22/119-124; 43/107, 109, 112, 114, 43/124, 131, 132.1, 139; D9/443, 445, D9/435, 454, 449, 451, 453, 447; D30/130  
CPC ..... A01M 1/04; A01M 1/103; A01M 1/106; A01M 1/14; A01M 1/026; A01M 1/2011; A01M 1/10; A01M 29/12; A01M 29/34  
See application file for complete search history.

(56) **References Cited**

U.S. PATENT DOCUMENTS

4,850,305 A \* 7/1989 Georgi ..... A01K 67/033  
119/6.6  
5,849,262 A \* 12/1998 Thomas ..... A01K 27/007  
424/9.1  
D673,641 S \* 1/2013 Robinson ..... D22/122  
D877,850 S \* 3/2020 Sanford ..... D22/122  
2013/0111801 A1 \* 5/2013 White ..... A01M 1/103  
43/109  
2014/0237892 A1 \* 8/2014 Peden ..... A01M 1/10  
43/109  
2018/0288994 A1 \* 10/2018 Crisp ..... A01M 1/2011

\* cited by examiner

*Primary Examiner* — Melanie Pellegrini

(74) *Attorney, Agent, or Firm* — Dickinson Wright PLLC

(57) **CLAIM**

The ornamental design for an insect trap, as shown and described.

**DESCRIPTION**

1. Insect trap

1.1 : Front

1.2 : Back

1.3 : Left

1.4 : Right

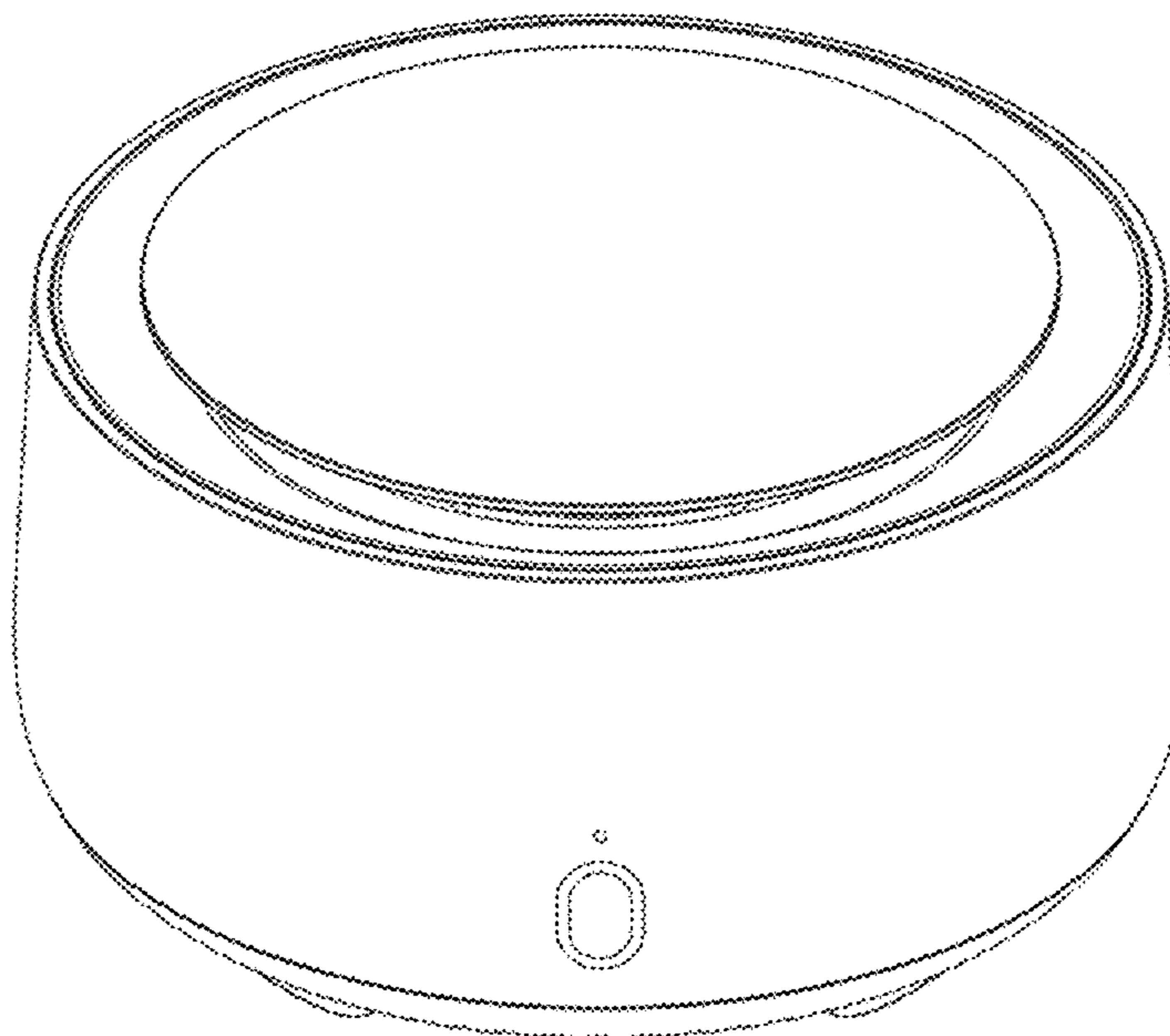
1.5 : Top

1.6 : Bottom

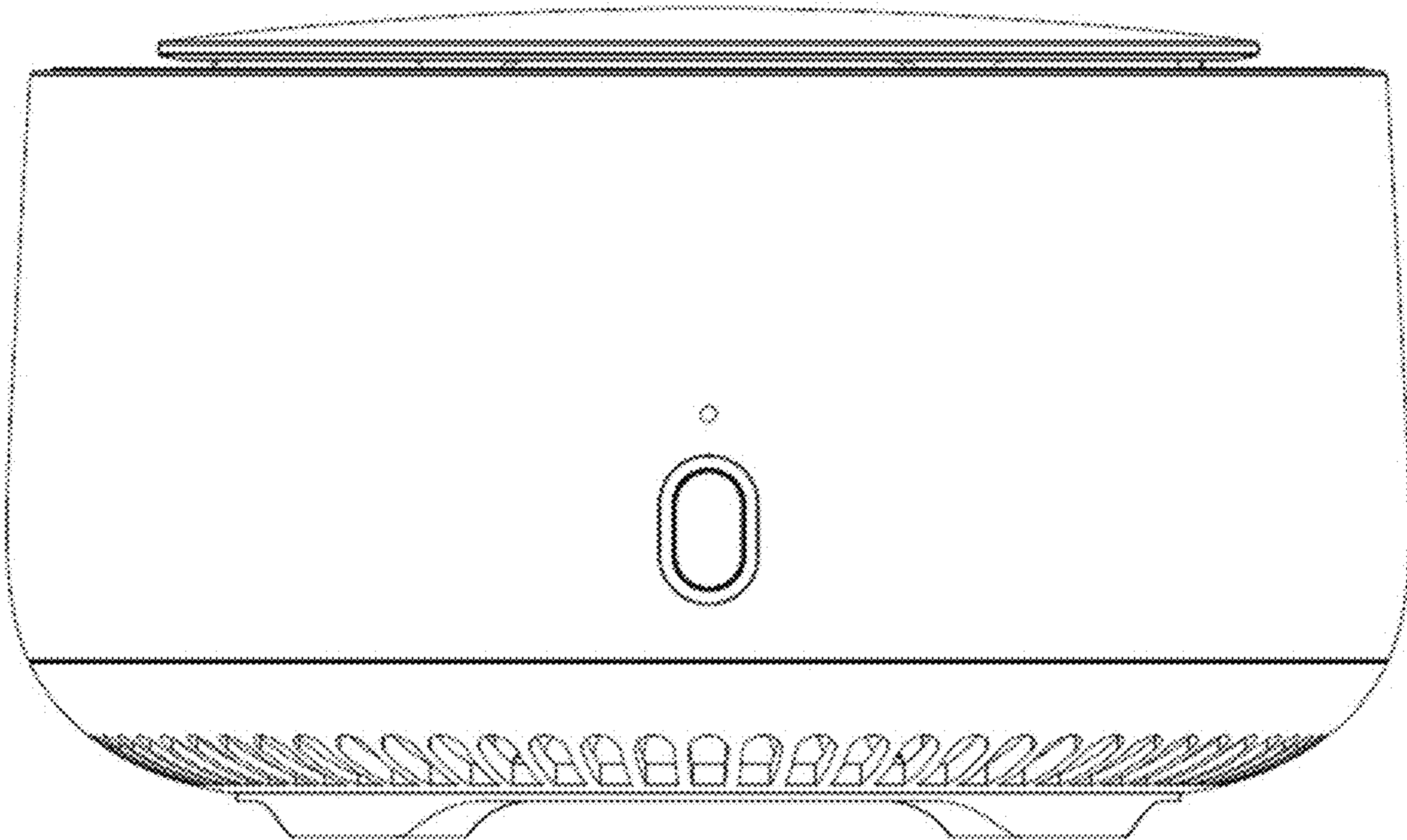
1.7 : Perspective

1.1 is a front elevation view of an insect trap showing our new design; 1.2 is a rear elevation view thereof; 1.3 is a left side elevation view thereof; 1.4 is a right side elevation view thereof; 1.5 is a top plan view thereof; 1.6 is a bottom plan view thereof; and 1.7 is a perspective view thereof.

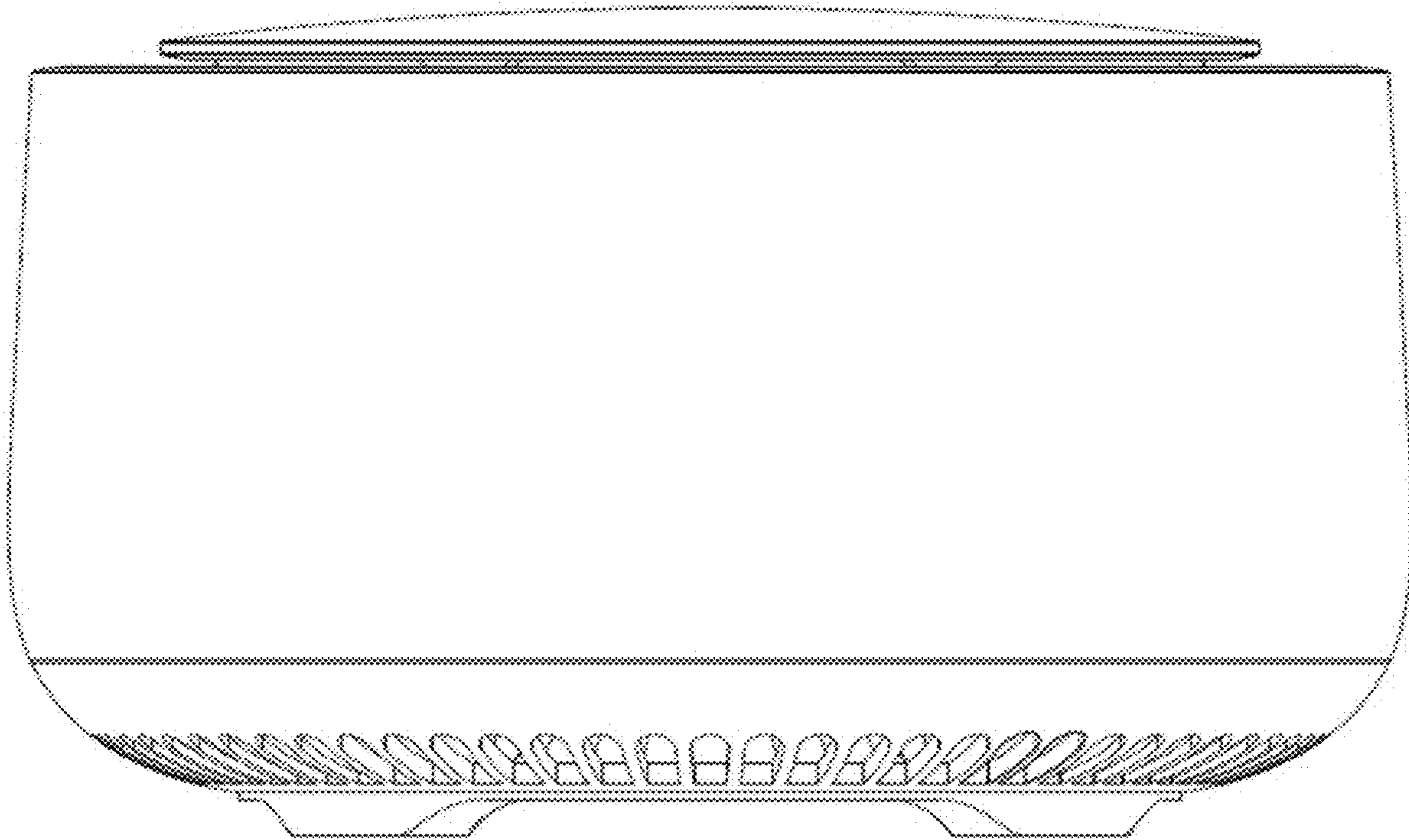
**1 Claim, 7 Drawing Sheets**



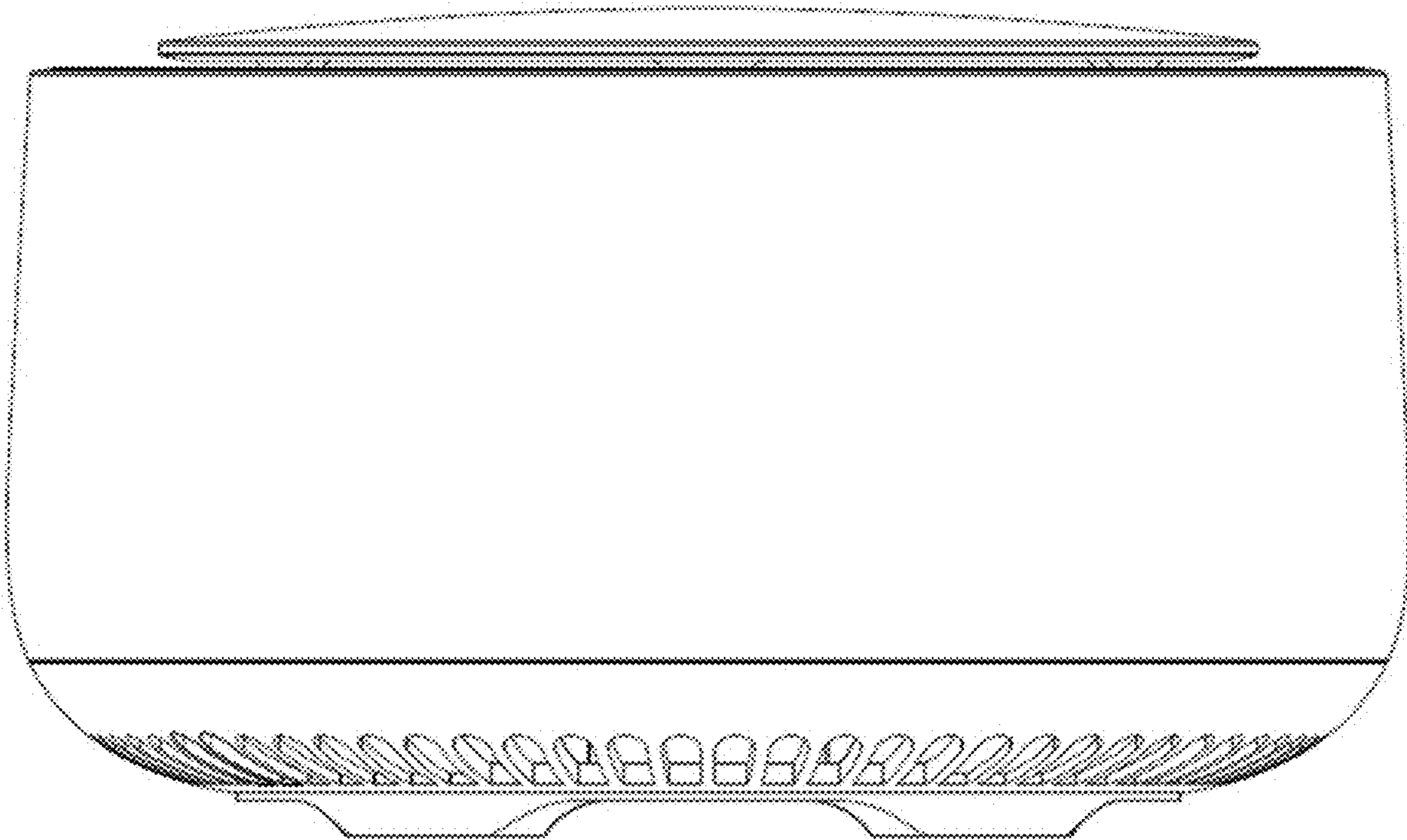
1.1



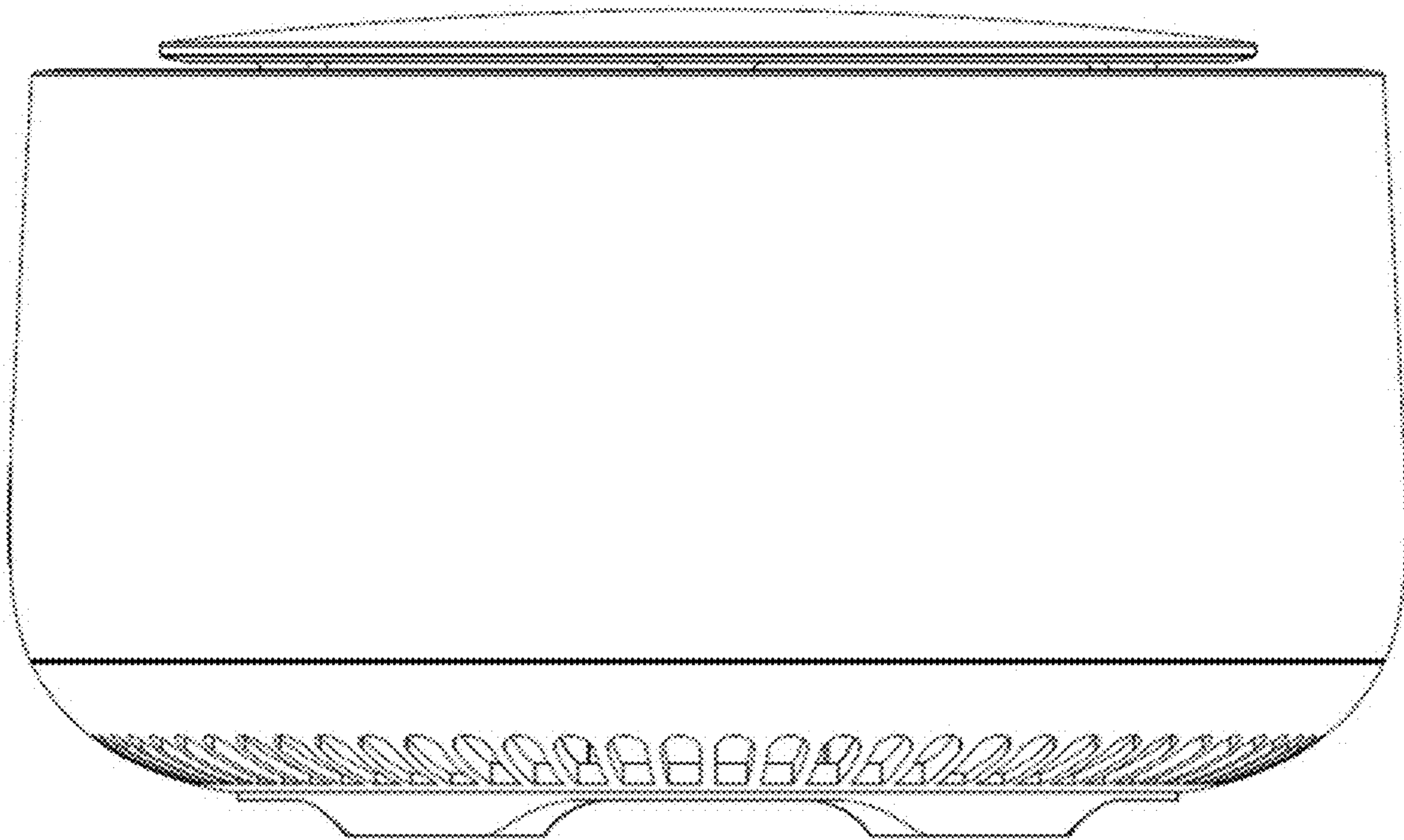
1.2



1.3

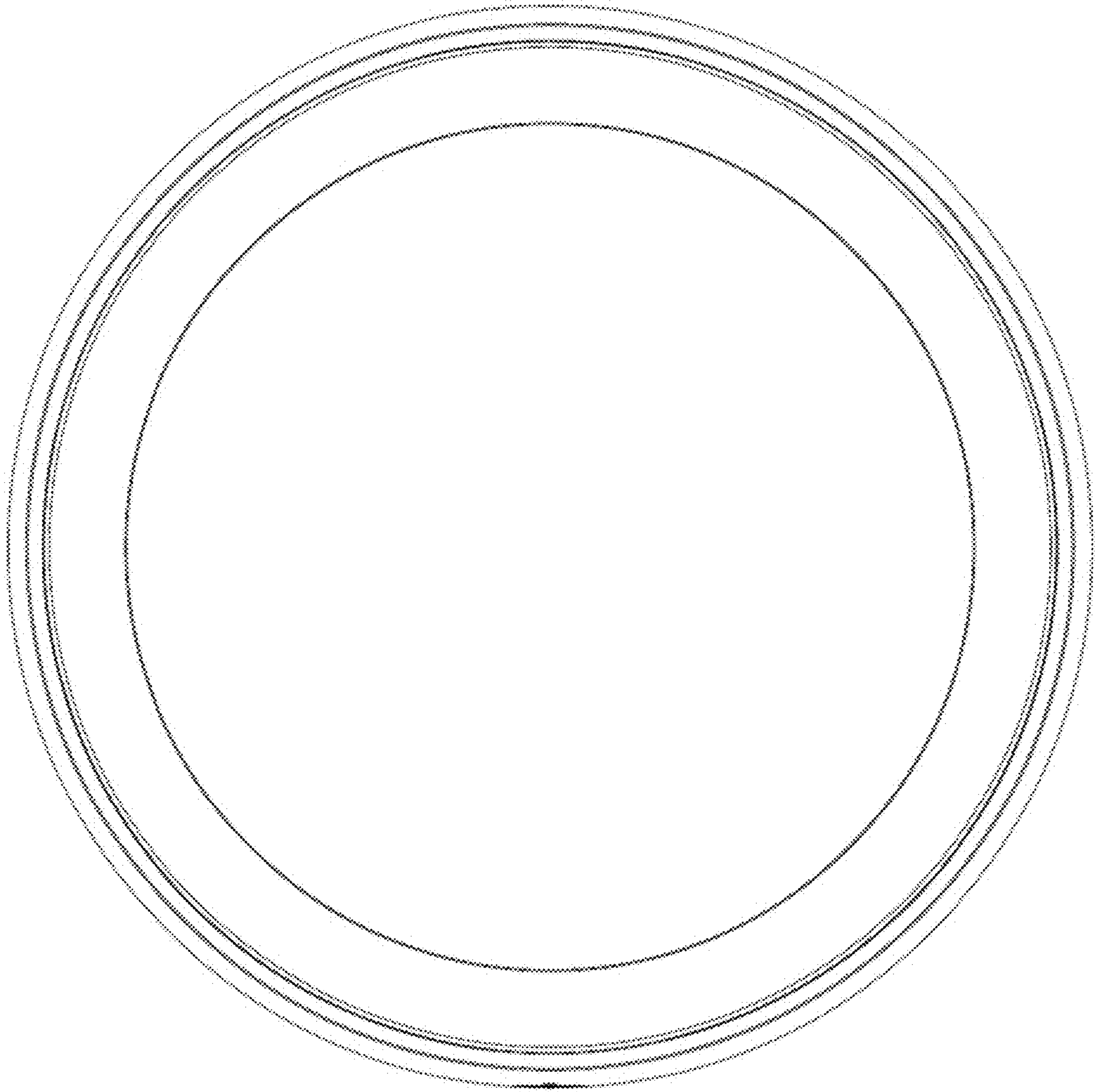


1.4

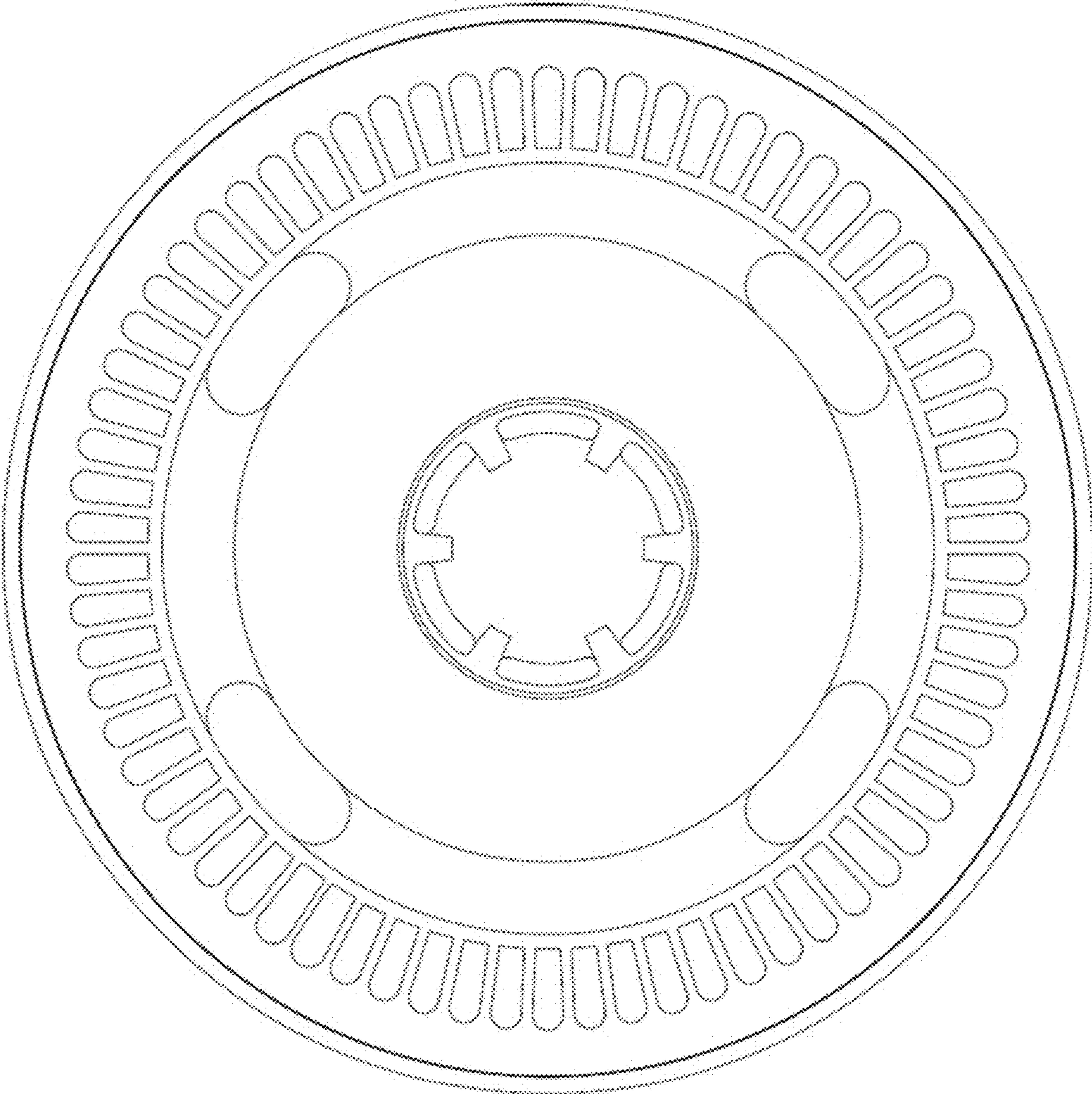




1.5



1.6



1.7

