



US00D888184S

(12) **United States Design Patent**
Bietsch et al.

(10) **Patent No.:** **US D888,184 S**

(45) **Date of Patent:** **** Jun. 23, 2020**

(54) **RIFLE HANDGUARD**

(71) Applicant: **Kaiser Shooting Products, LLC,**
Tucson, AZ (US)

(72) Inventors: **Michael Bietsch,** Tucson, AZ (US);
Veronica Bietsch, Tucson, AZ (US)

(73) Assignee: **Kaiser Shooting Products, LLC,**
Tucson, AZ (US)

(**) Term: **15 Years**

(21) Appl. No.: **29/668,262**

(22) Filed: **Oct. 29, 2018**

(51) **LOC (12) Cl.** **22-01**

(52) **U.S. Cl.**
USPC **D22/108**

(58) **Field of Classification Search**
USPC D22/103, 108; D21/572-575
CPC F41A 5/18; F41A 5/24; F41A 21/28; F41C
23/00; F41C 27/00; F41C 27/06; F41C
23/10; F41C 23/14; F41C 23/16; F41C
23/18

See application file for complete search history.

(56) **References Cited**

U.S. PATENT DOCUMENTS

D783,761 S * 4/2017 Pavlick D22/108
D785,743 S * 5/2017 Pavlick D22/108

D818,073 S * 5/2018 Dubois D22/108
D827,082 S * 8/2018 Dubois D22/108
D828,898 S * 9/2018 McKillips D22/108
D871,537 S * 12/2019 McKillips D22/108
2018/0245866 A1* 8/2018 Geissele F41A 3/84

* cited by examiner

Primary Examiner — Michael A. Pratt

(74) *Attorney, Agent, or Firm* — Barlow, Josephs &
Holmes, Ltd.

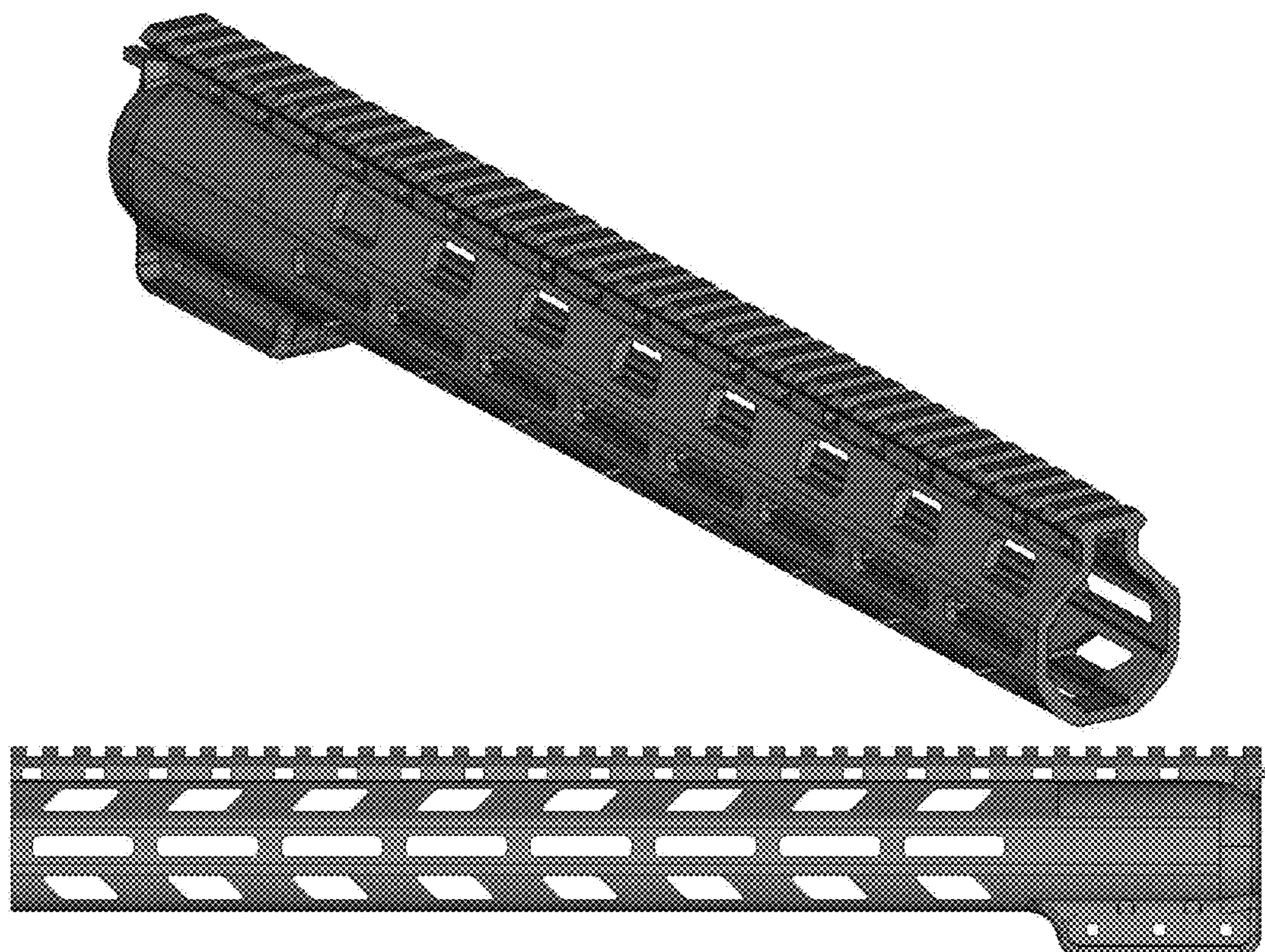
(57) **CLAIM**

The ornamental design for a rifle handguard, as shown and described.

DESCRIPTION

FIG. 1 is a perspective view of a rifle handguard in accordance with the present design;
FIG. 2 is another perspective view thereof;
FIG. 3 is a left side view thereof;
FIG. 4 is a right side view thereof;
FIG. 5 is a front view thereof;
FIG. 6 is a rear view thereof;
FIG. 7 is a top view thereof;
FIG. 8 is a bottom view thereof; and,
FIG. 9 is another perspective view thereof.

1 Claim, 3 Drawing Sheets



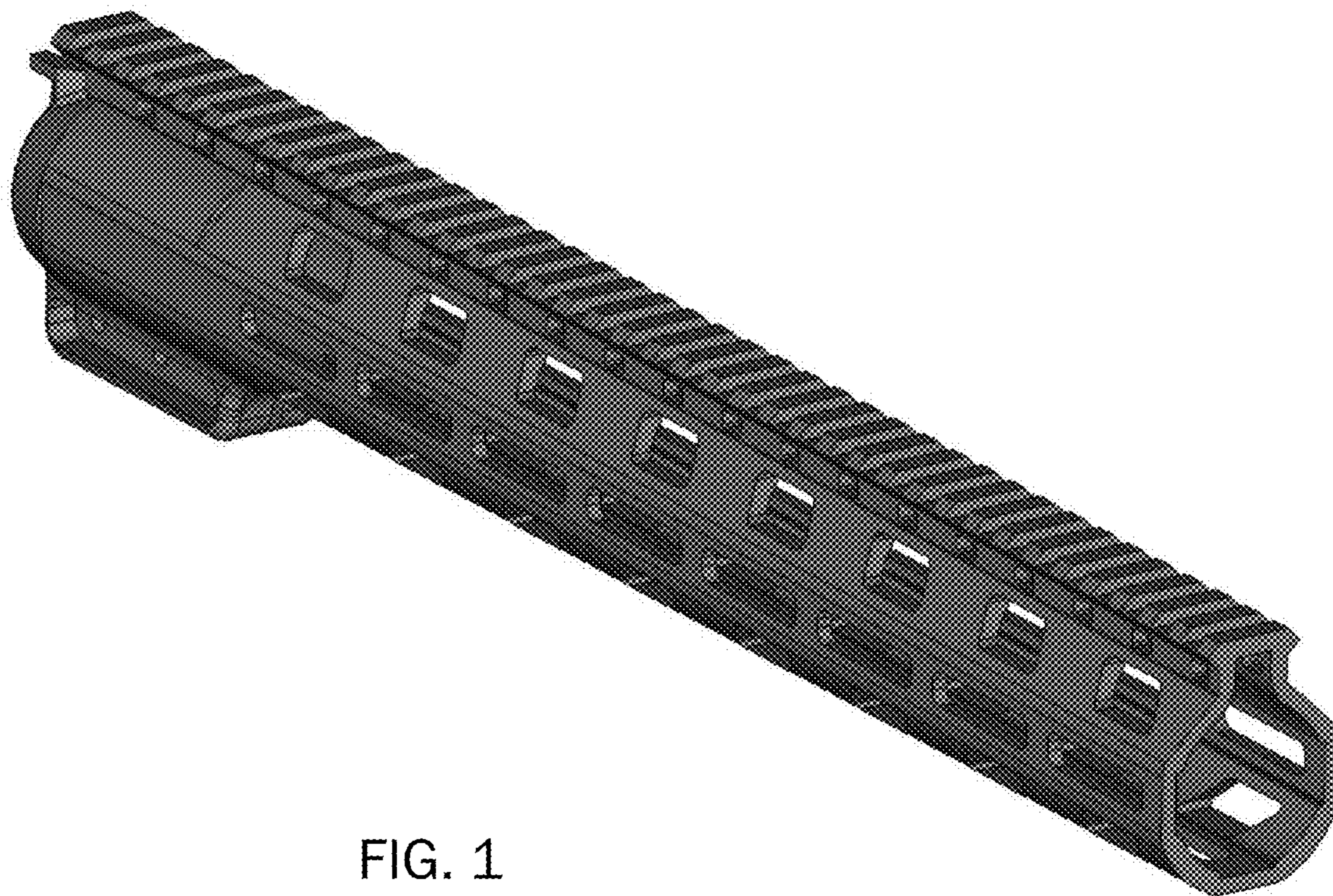


FIG. 1

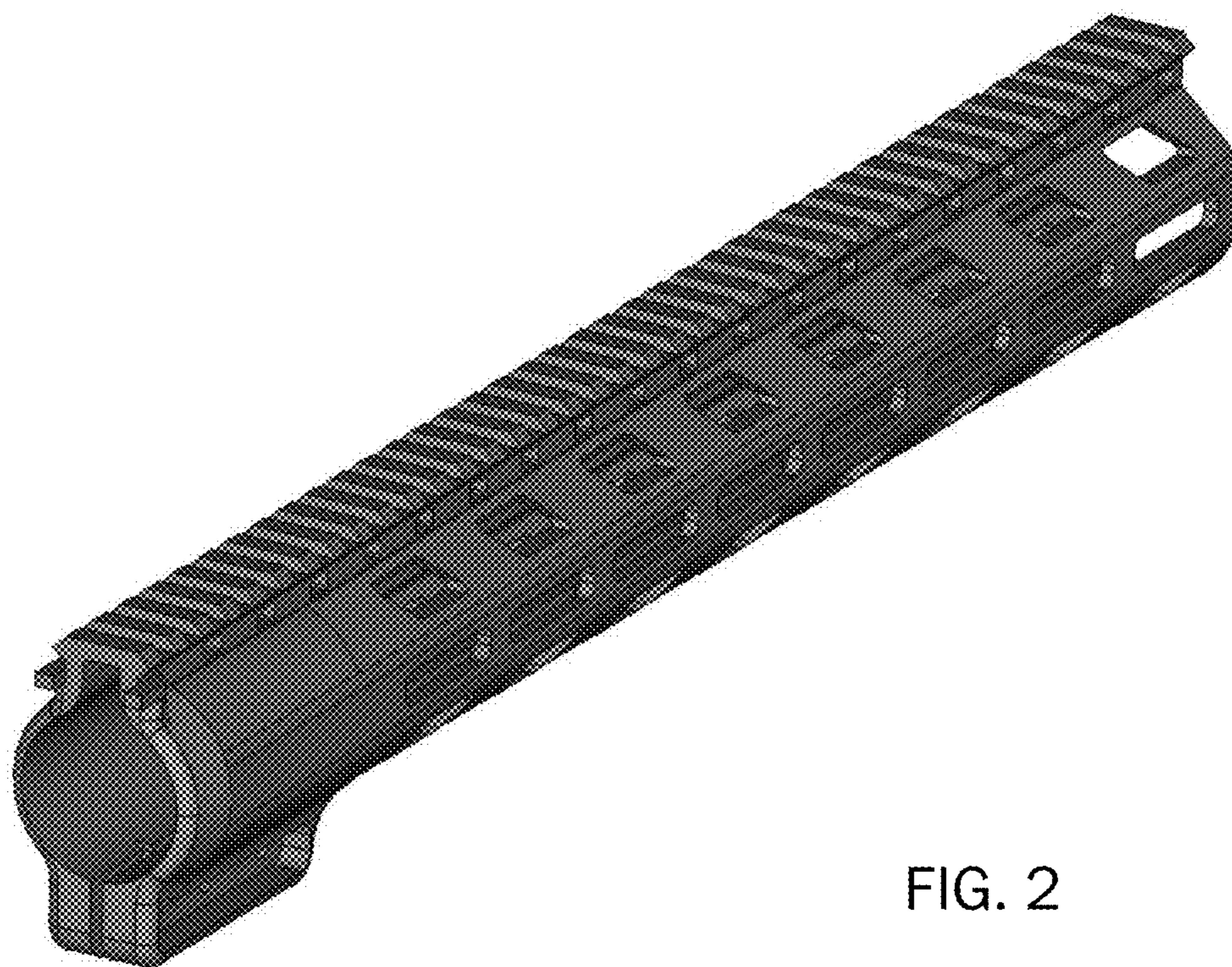


FIG. 2

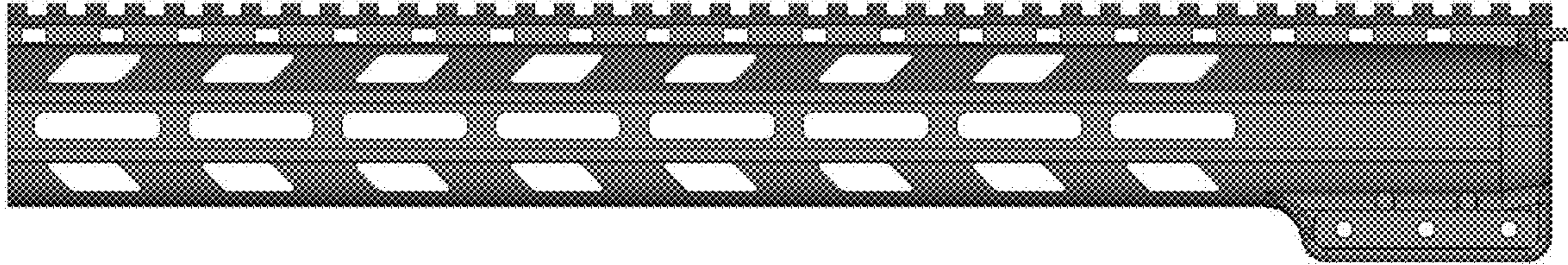


FIG. 3

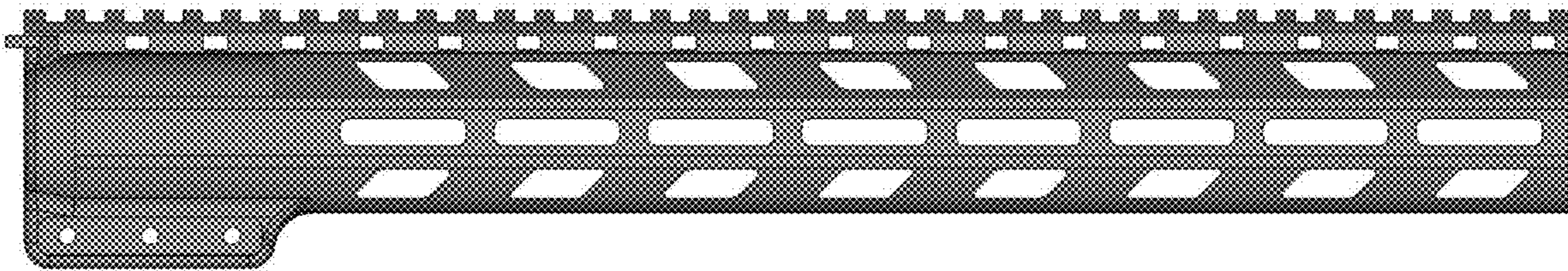


FIG. 4

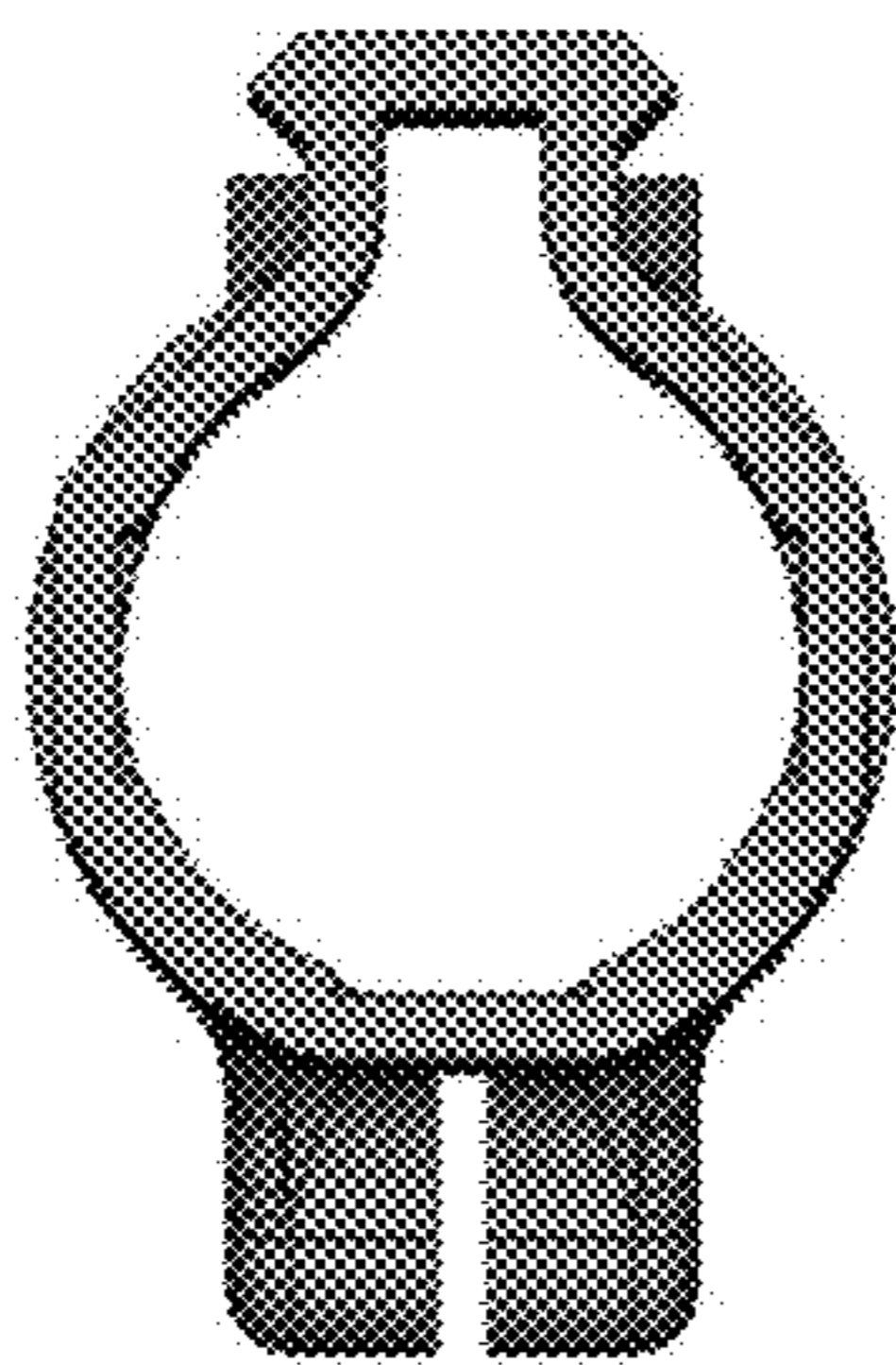


FIG. 5

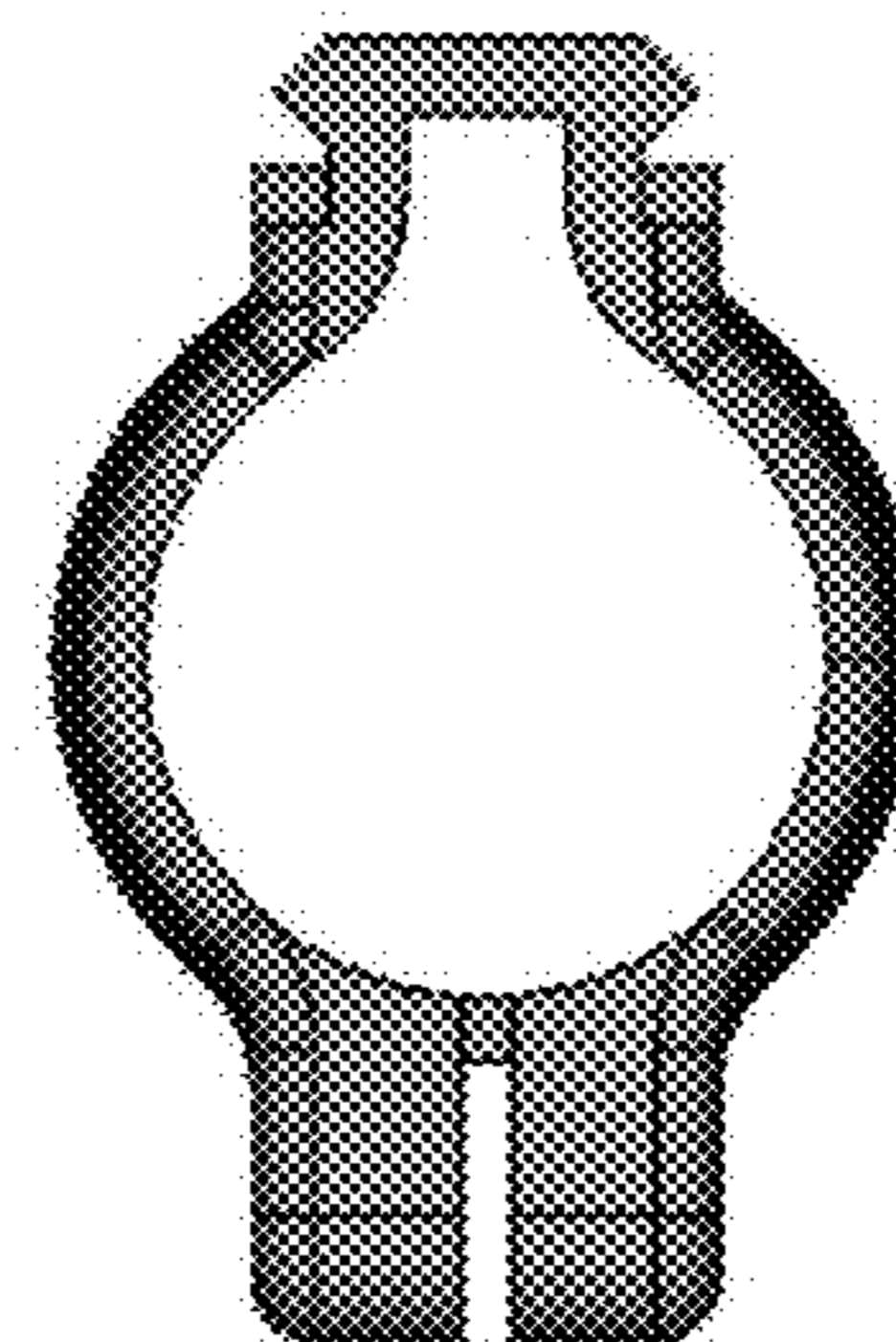


FIG. 6

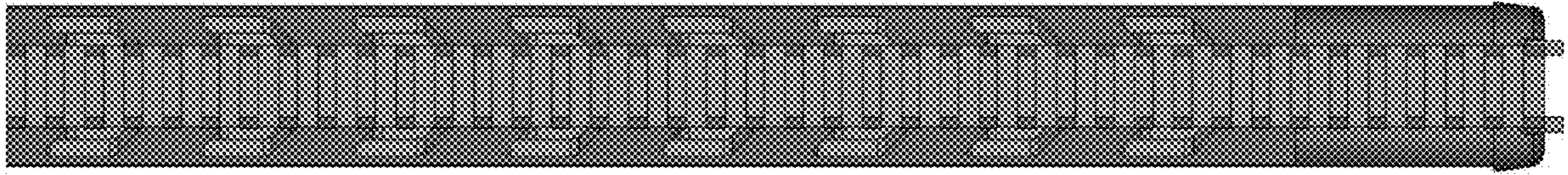


FIG. 7

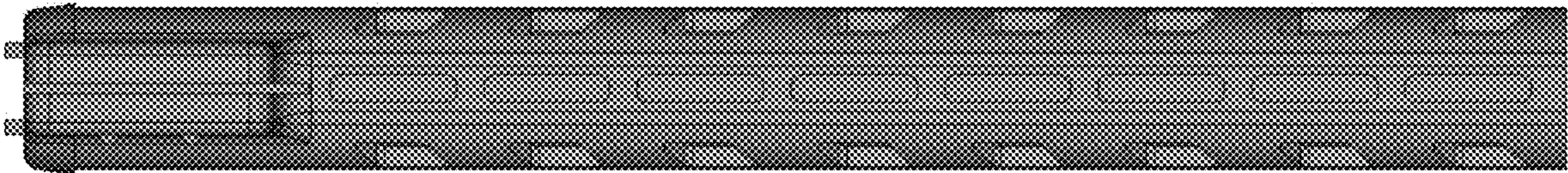


FIG. 8

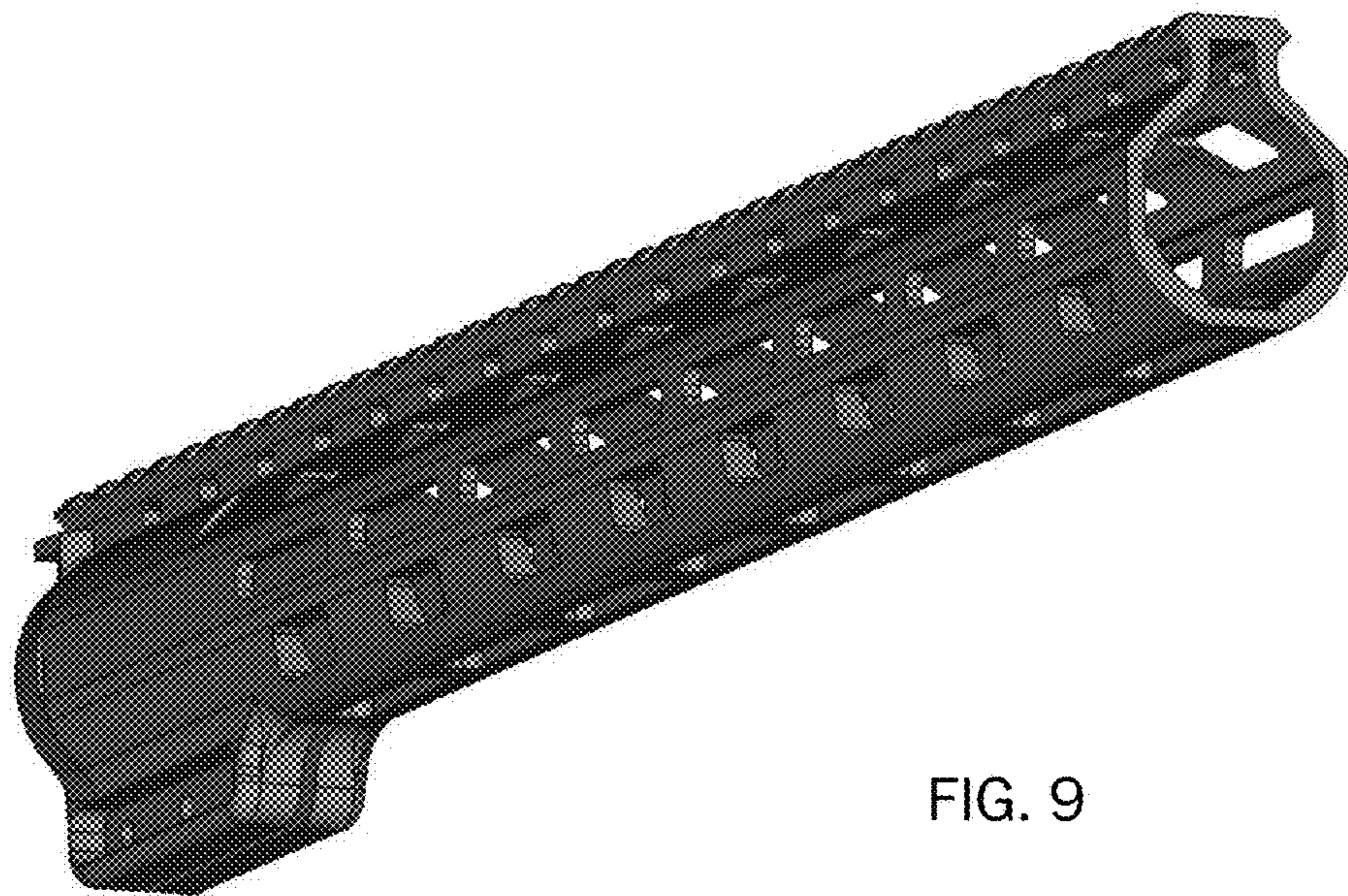


FIG. 9