



US00D888183S

(12) **United States Design Patent**
Griswold et al.

(10) **Patent No.:** **US D888,183 S**
(45) **Date of Patent:** **** Jun. 23, 2020**

(54) **MANUAL MAGAZINE AMMUNITION
LOADER**

(71) Applicants: **Thomas Allen Griswold**, Kiln, MS
(US); **Bjorn Stephen Griswold**, Ocean
Springs, MS (US)

(72) Inventors: **Thomas Allen Griswold**, Kiln, MS
(US); **Bjorn Stephen Griswold**, Ocean
Springs, MS (US)

(**) Term: **15 Years**

(21) Appl. No.: **29/667,340**

(22) Filed: **Oct. 19, 2018**

(51) **LOC (12) Cl.** **22-01**

(52) **U.S. Cl.**
USPC **D22/108**

(58) **Field of Classification Search**
USPC D22/108
CPC F41A 9/83; F41A 9/82
See application file for complete search history.

(56) **References Cited**

U.S. PATENT DOCUMENTS

- 5,402,594 A * 4/1995 Switzer F41A 9/83
42/87
- D370,518 S * 6/1996 Haywood D22/108
- 8,915,007 B1 * 12/2014 Williams F41A 9/83
42/87
- 9,459,063 B1 * 10/2016 Gattorna F41A 9/67

- D790,030 S * 6/2017 Ulbrich D22/108
- D836,178 S * 12/2018 Hefer D22/108
- D861,822 S * 10/2019 Hellyar D22/108
- 2015/0377573 A1 * 12/2015 Niccum F41A 9/83
42/87
- 2017/0176121 A1 * 6/2017 Plate F41A 9/83

* cited by examiner

Primary Examiner — Michael A. Pratt

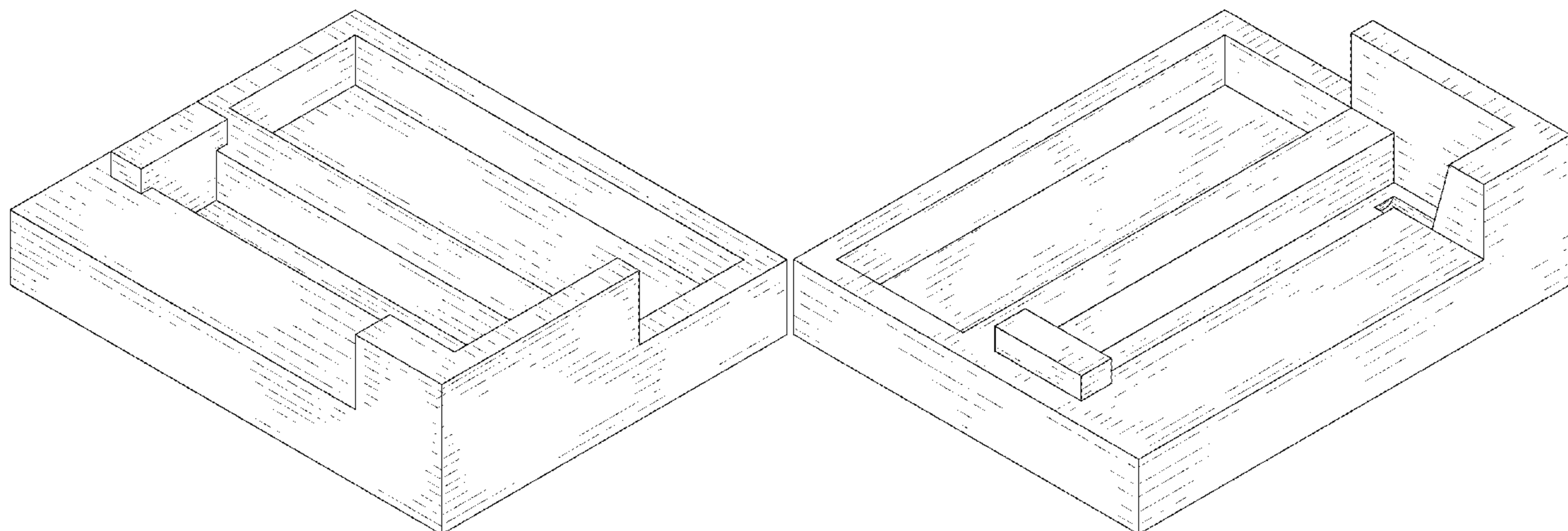
(57) **CLAIM**

The ornamental design for a manual magazine ammunition loader, as shown and described.

DESCRIPTION

FIG. 1 is a top-front-right perspective view of a manual magazine ammunition loader showing my new design; FIG. 2 is a top-front-left perspective view thereof; FIG. 3 is a top-rear-left perspective view thereof; FIG. 4 is a bottom-front-right perspective view thereof; FIG. 5 is a front view thereof; FIG. 6 is a rear view thereof; FIG. 7 is a left view thereof; FIG. 8 is a right view thereof; FIG. 9 is bottom view thereof; FIG. 10 is top view thereof; and, FIG. 11 is top view thereof in which the handle is an alternate position.

1 Claim, 11 Drawing Sheets



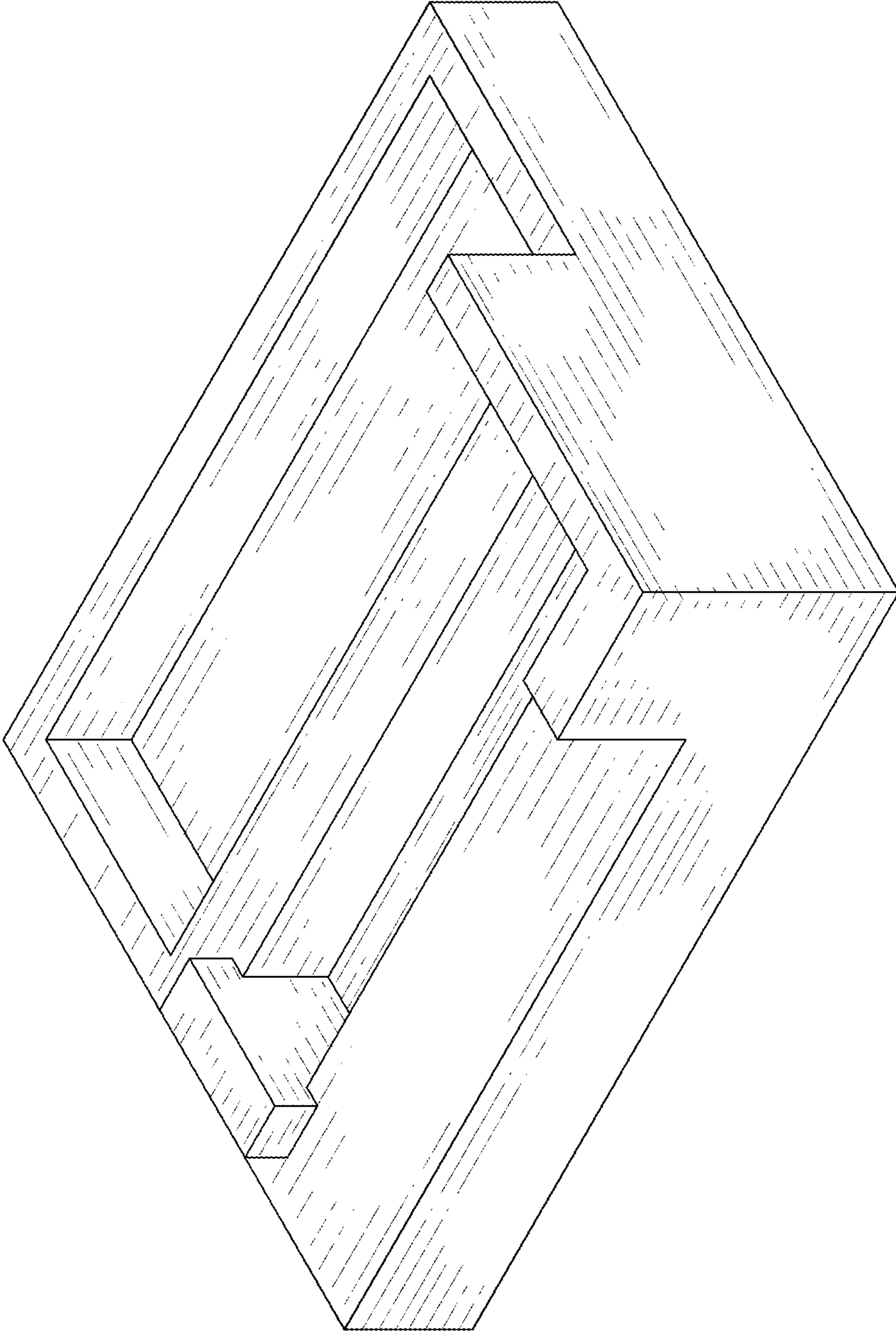


FIG 1

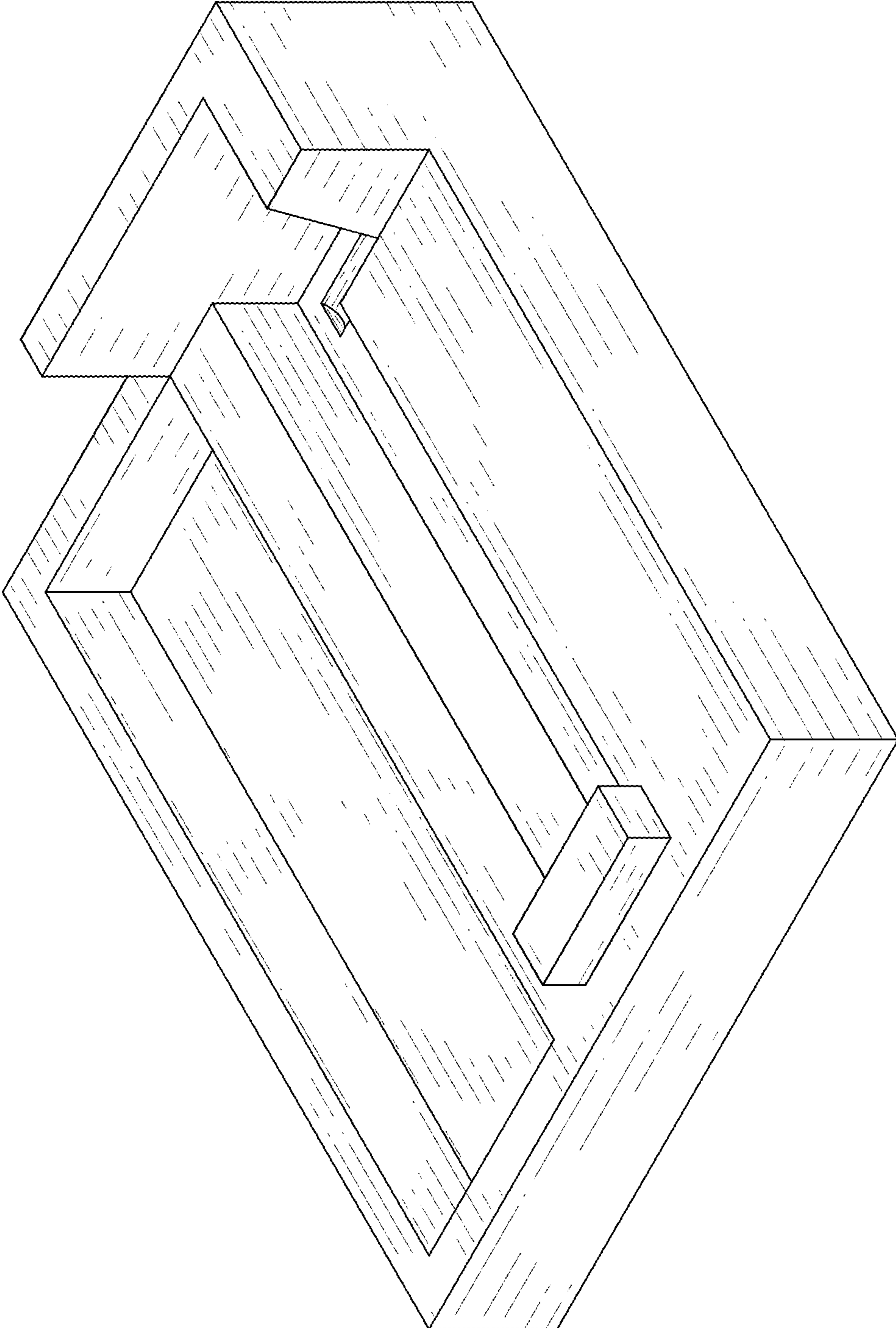


FIG 2

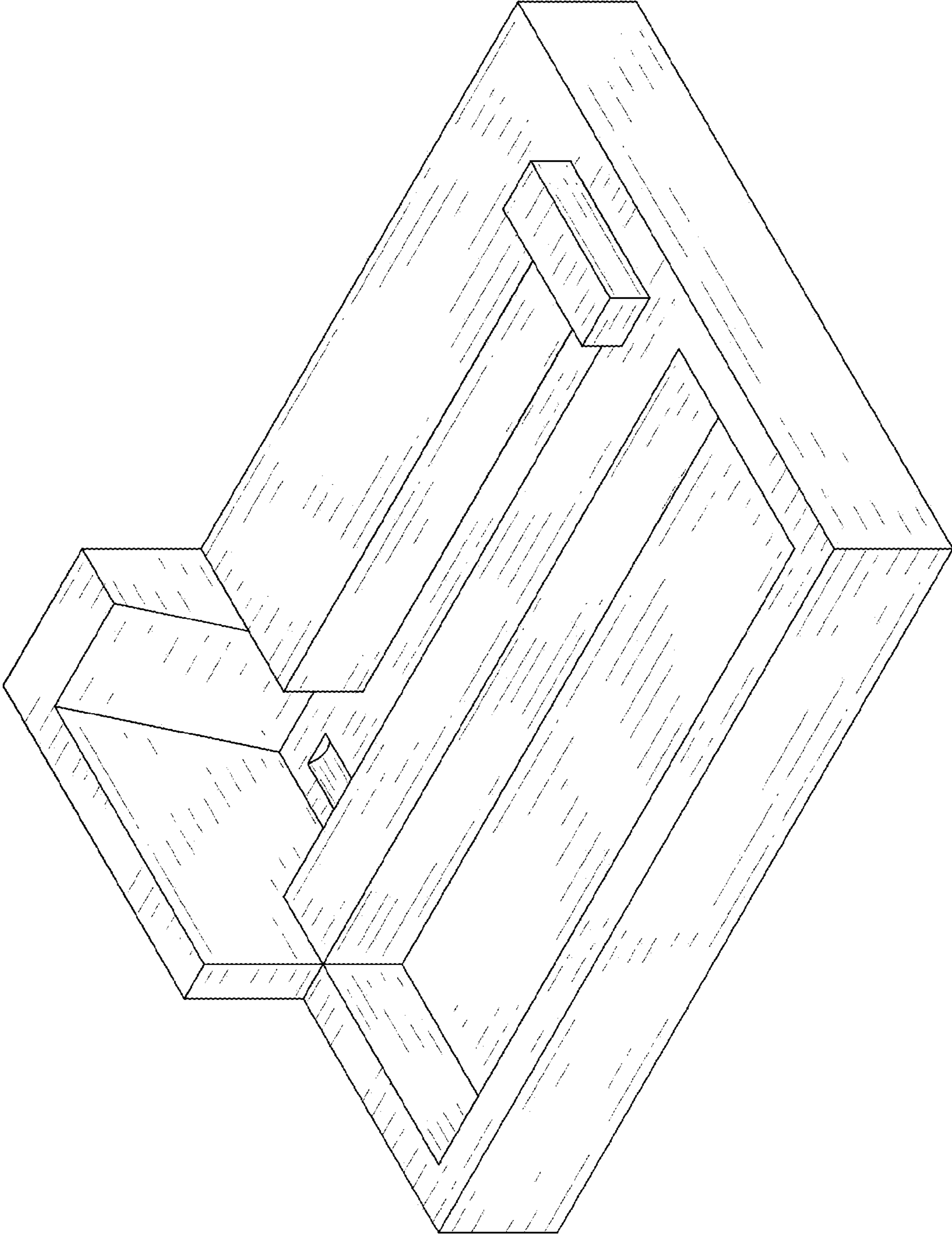


FIG 3

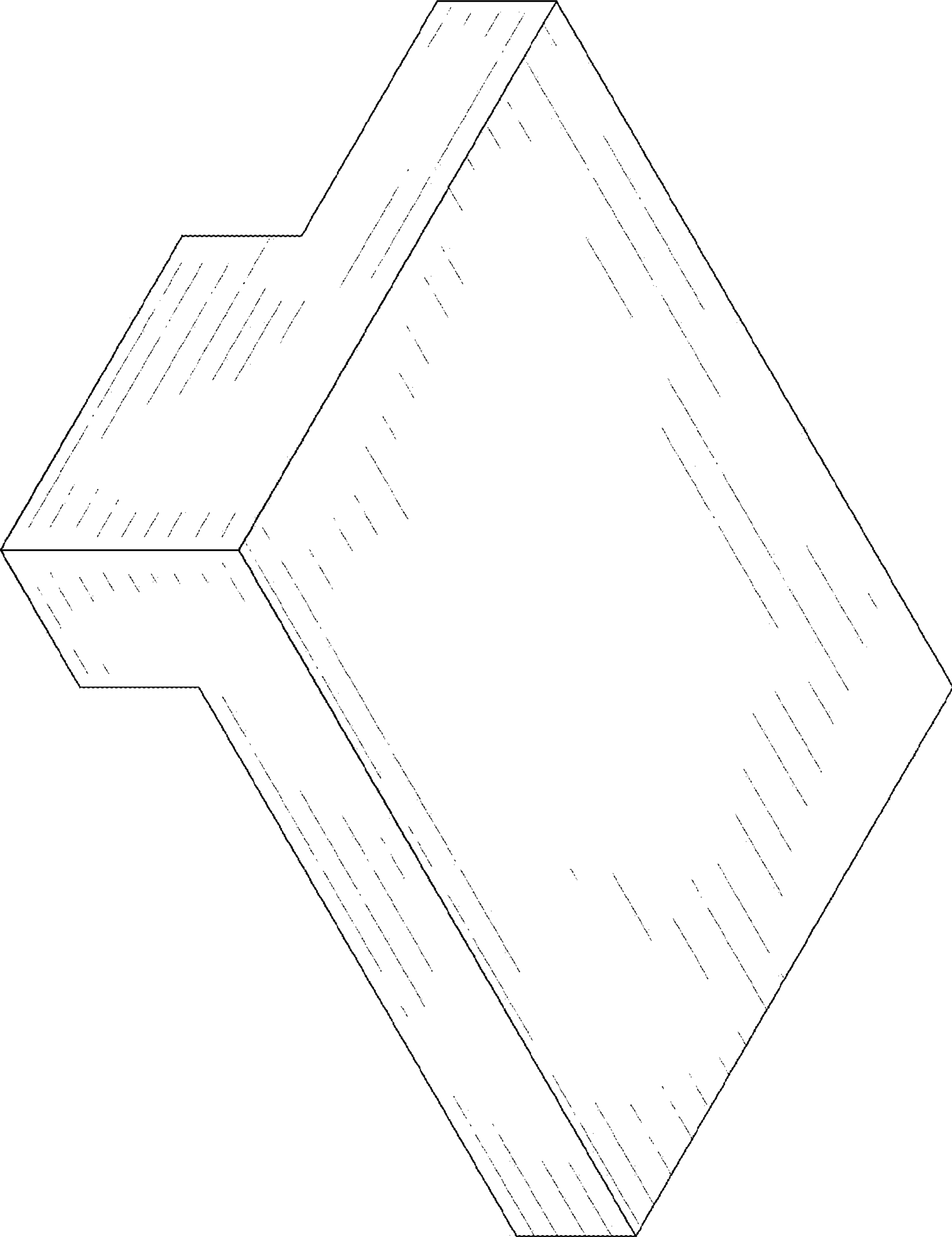


FIG 4

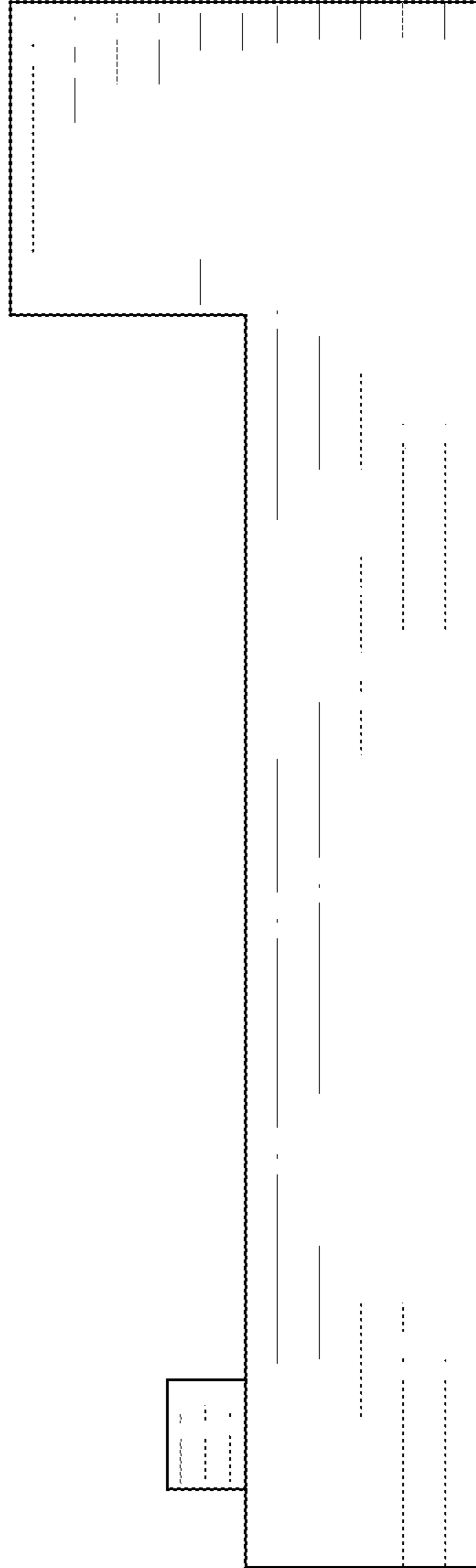


FIG 5

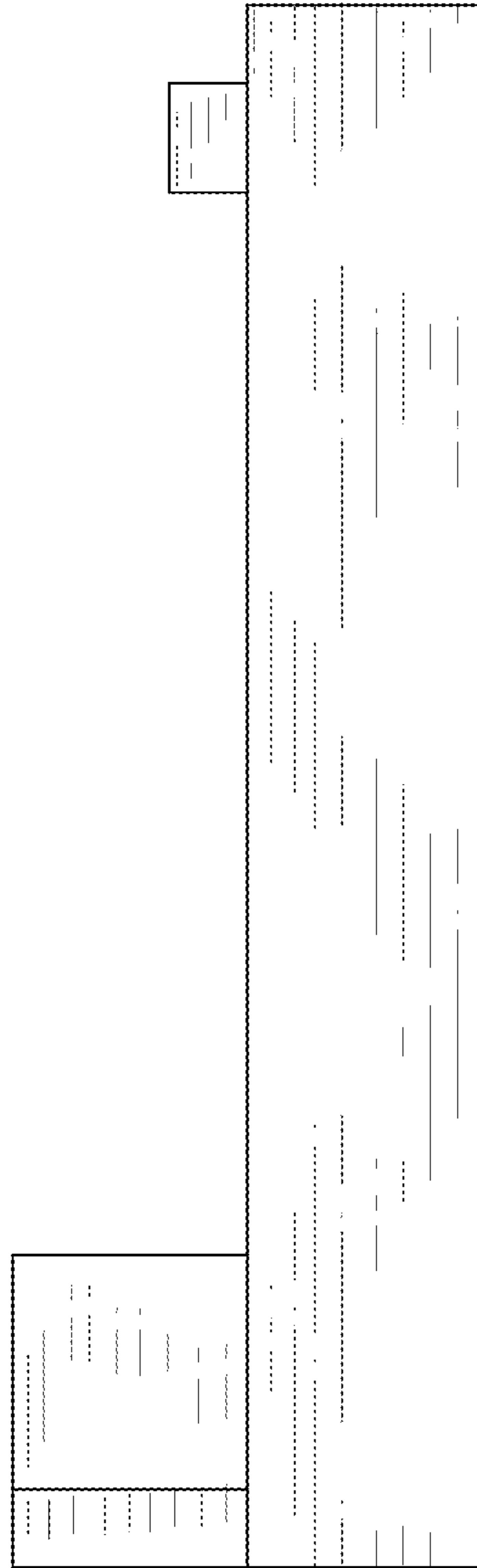


FIG 6

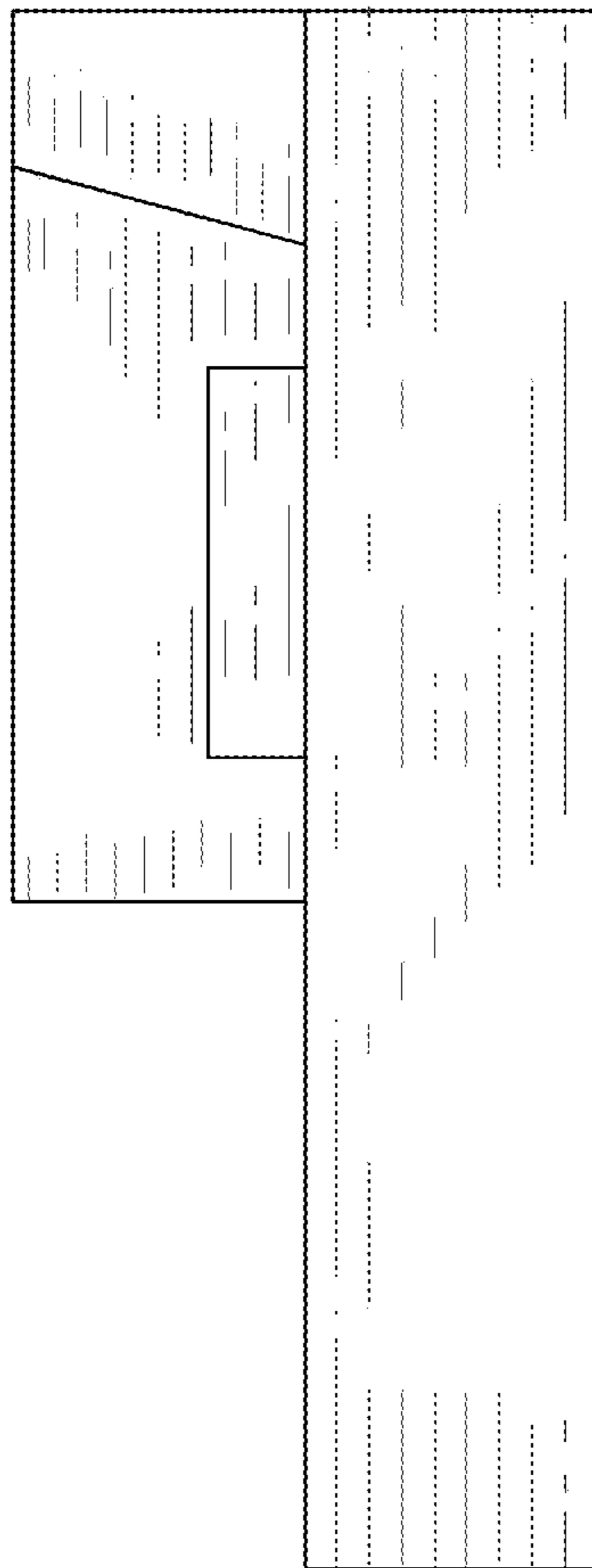


FIG 7

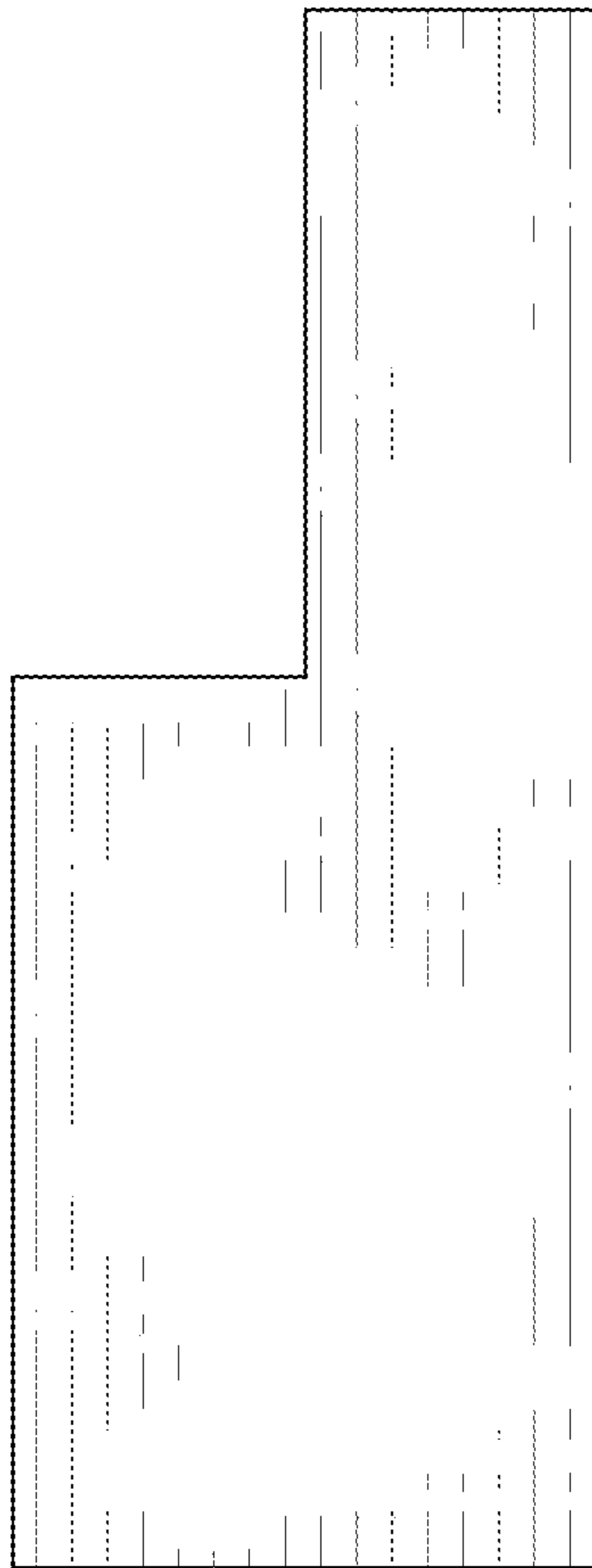


FIG 8

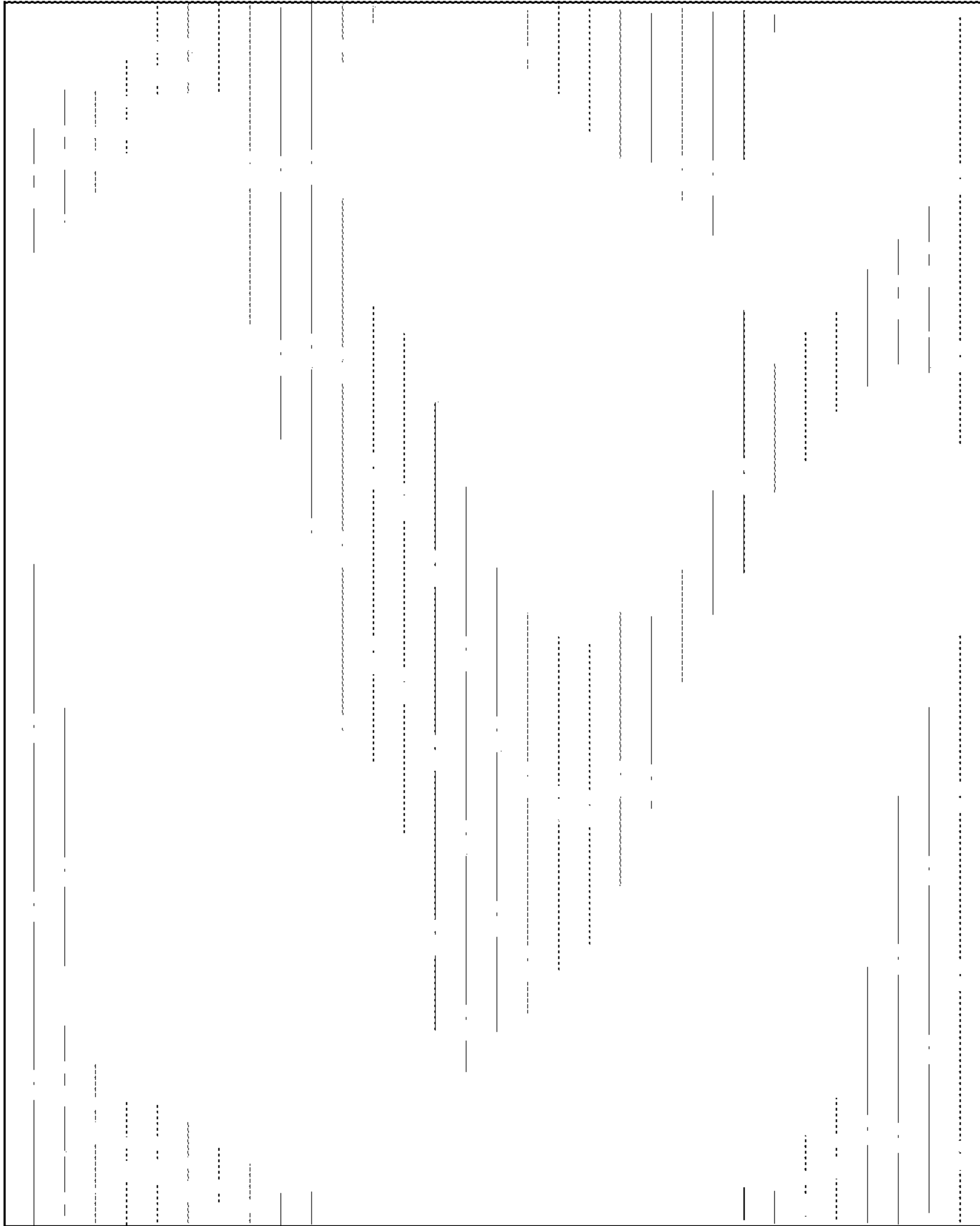


FIG 9

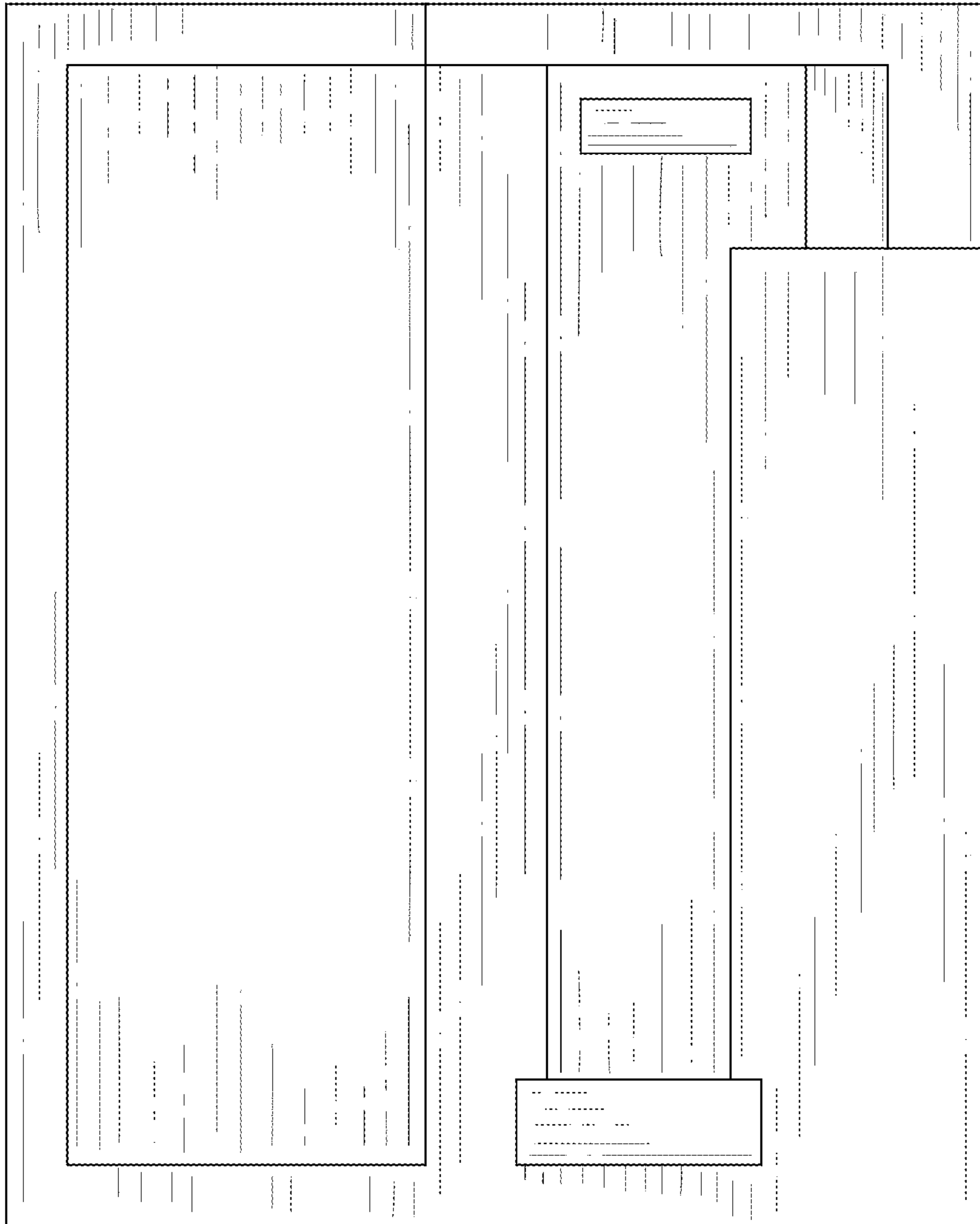


FIG 10

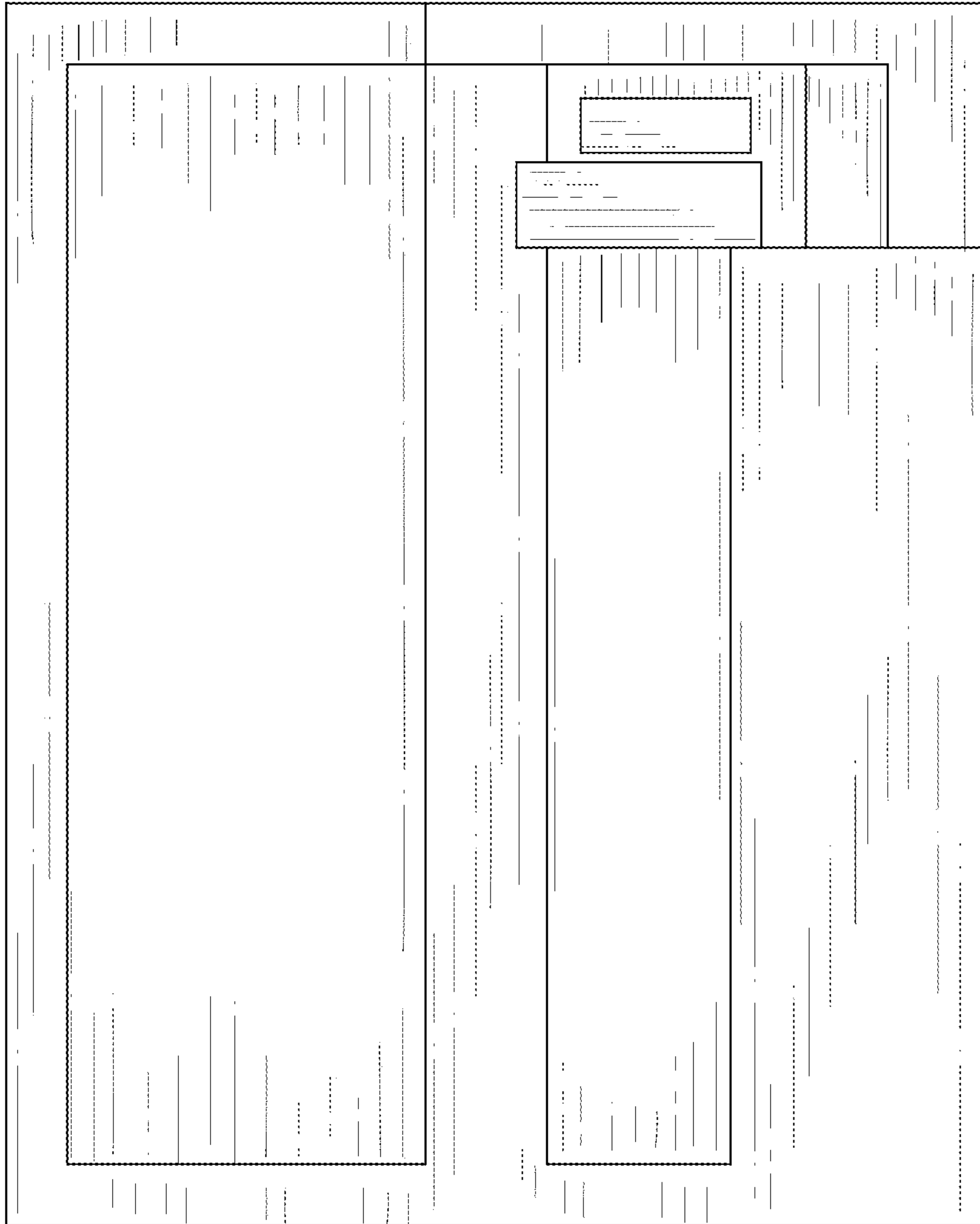


FIG 11