



US00D888182S

(12) **United States Design Patent**
Kincel et al.

(10) **Patent No.:** **US D888,182 S**
(45) **Date of Patent:** **** Jun. 23, 2020**

- (54) **FIREARM UPPER RECEIVER**
- (71) Applicant: **BRAVO COMPANY MFG, INC.**,
Hartland, WI (US)
- (72) Inventors: **Eric Stephen Kincel**, Coeur d'Alene,
ID (US); **Jeffrey James O'Brien**,
Coeur d'Alene, ID (US)
- (73) Assignee: **BRAVO COMPANY MFG, INC.**,
Hartland, WI (US)
- (**) Term: **15 Years**
- (21) Appl. No.: **29/666,039**
- (22) Filed: **Oct. 9, 2018**
- (51) **LOC (12) Cl.** **22-01**
- (52) **U.S. Cl.**
USPC **D22/108**
- (58) **Field of Classification Search**
USPC D22/103, 108; D21/571-575
CPC F41C 23/00; F41C 27/00; F41C 27/06;
F41C 23/10; F41C 23/14; F41C 23/16;
F41C 23/18; F41A 5/18; F41A 5/24;
F41A 21/28
See application file for complete search history.

D827,760 S * 9/2018 Hiler, Jr. D22/108
 10,132,580 B1 11/2018 Kincel et al.
 2011/0252957 A1 10/2011 Overstreet et al.
 2012/0174451 A1 7/2012 Overstreet et al.

* cited by examiner

Primary Examiner — Michael A. Pratt
 (74) *Attorney, Agent, or Firm* — Michael Best &
 Friedrich LLP

(57) **CLAIM**

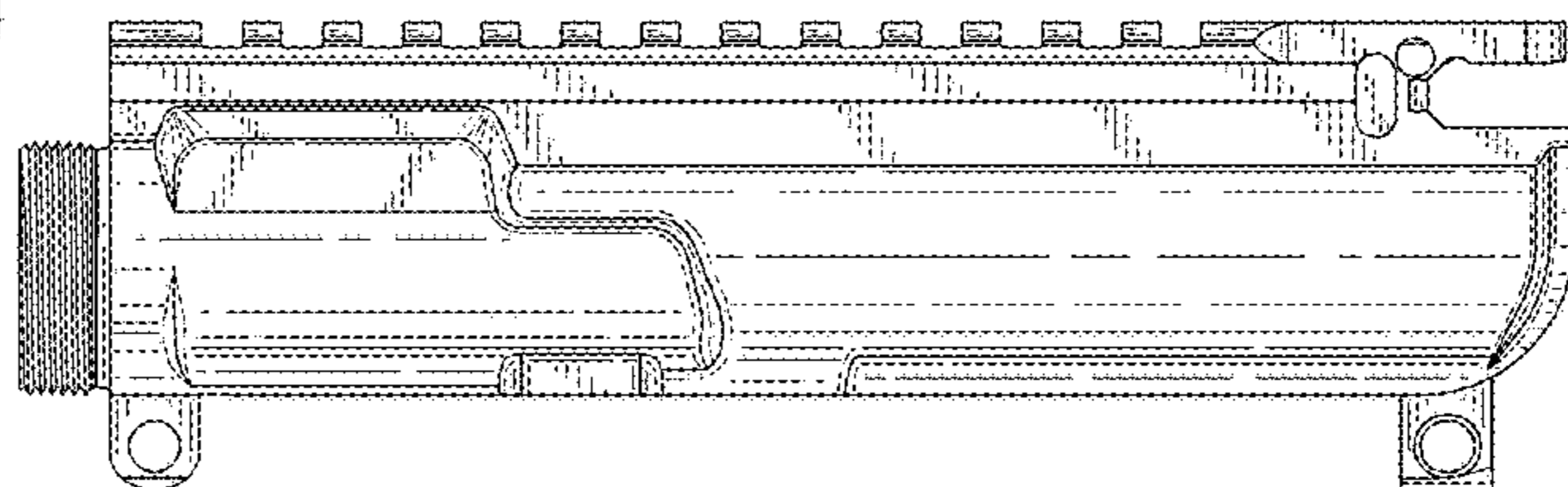
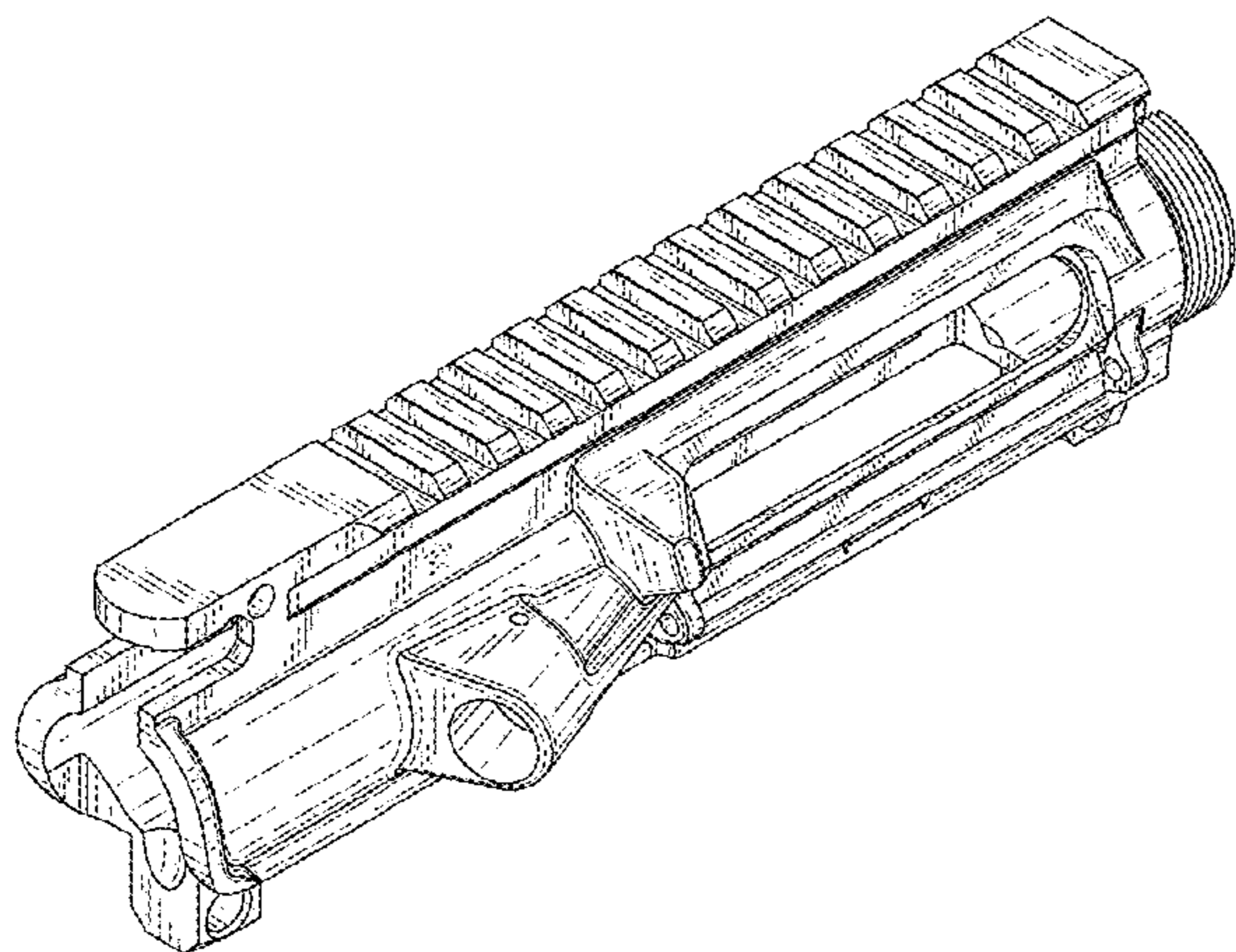
We claim the ornamental design for a firearm upper receiver, as shown and described.

DESCRIPTION

FIG. 1 is a rear perspective view of a firearm upper receiver according to one embodiment of the present invention. FIG. 2 is a front perspective view of the firearm upper receiver of FIG. 1. FIG. 3 is a right-side view of the firearm upper receiver of FIG. 1. FIG. 4 is a left-side view of the firearm upper receiver of FIG. 1. FIG. 5 is a top view of the firearm upper receiver of FIG. 1. FIG. 6 is a bottom view of the firearm upper receiver of FIG. 1. FIG. 7 is a rear view of the firearm upper receiver of FIG. 1; and, FIG. 8 is a front view of the firearm upper receiver of FIG. 1. The portions of the firearm upper receiver shown in broken lines are included for the purpose of illustrating environment and form no part of the claimed design.

1 Claim, 7 Drawing Sheets

- (56) **References Cited**
U.S. PATENT DOCUMENTS
8,590,199 B2 11/2013 Overstreet et al.
8,826,797 B2 9/2014 Overstreet et al.
D717,904 S * 11/2014 Oglesby D22/108
8,910,406 B1 12/2014 Huang et al.
D745,621 S * 12/2015 Huang D22/108
D787,005 S * 5/2017 Capps D22/108



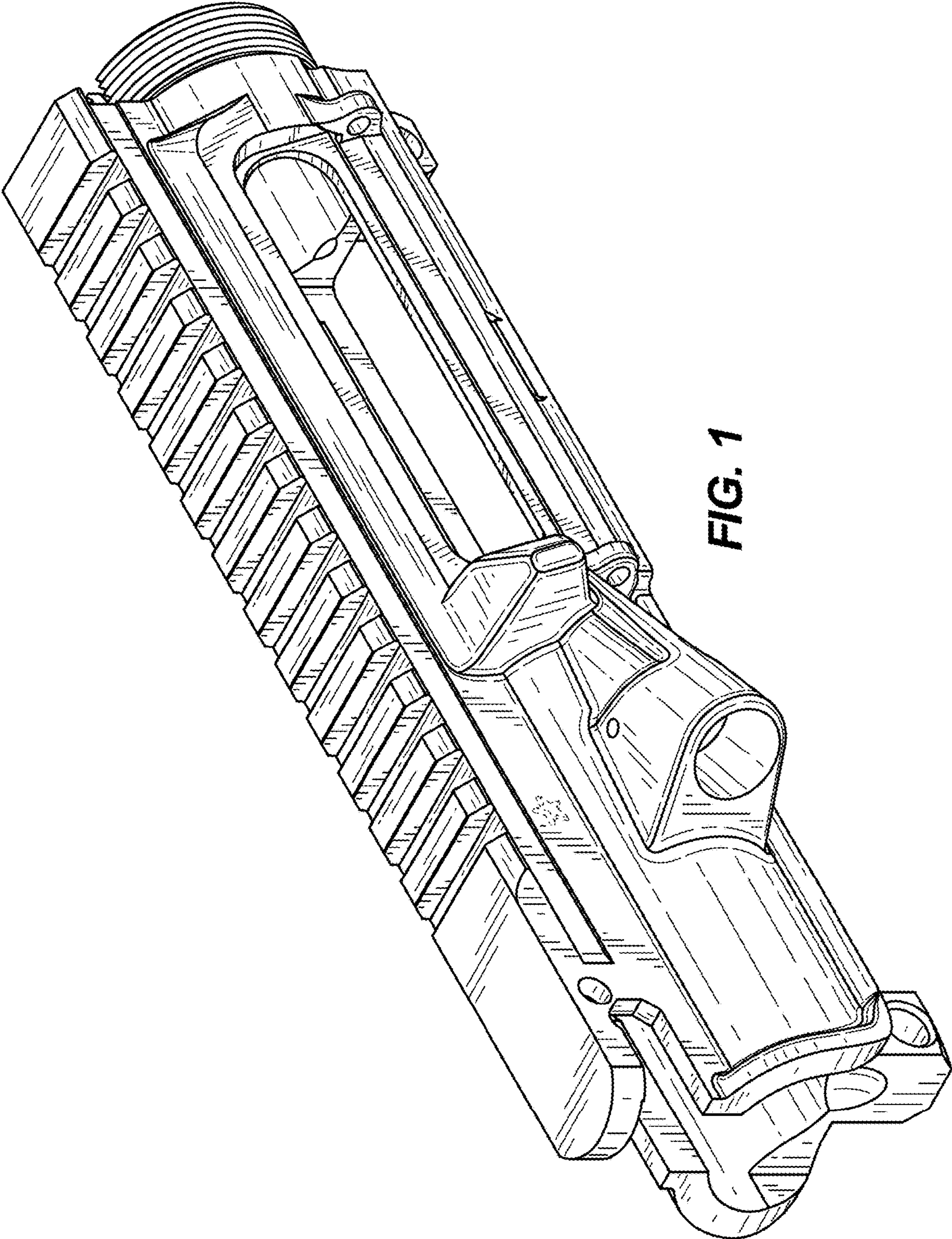


FIG. 1

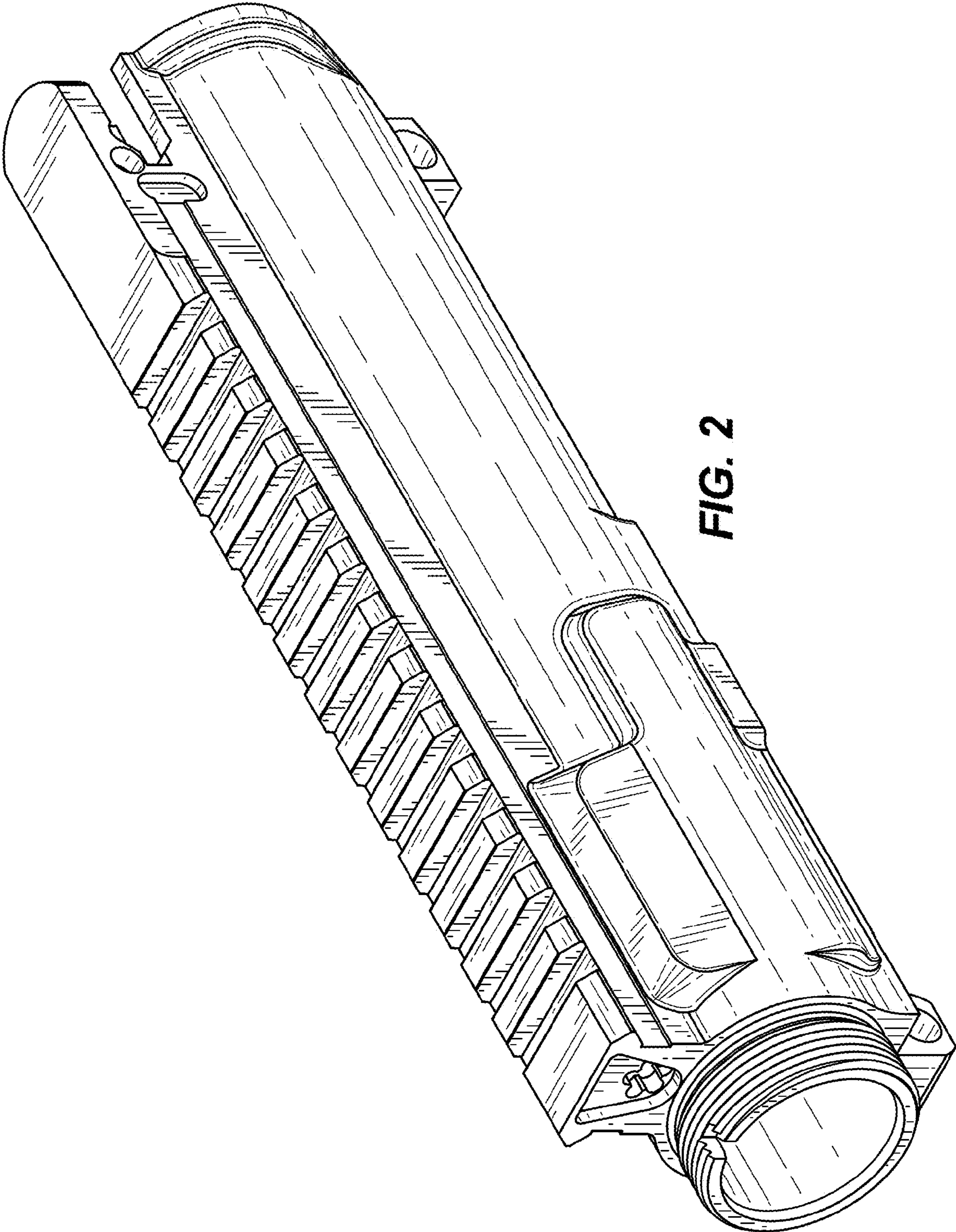


FIG. 2

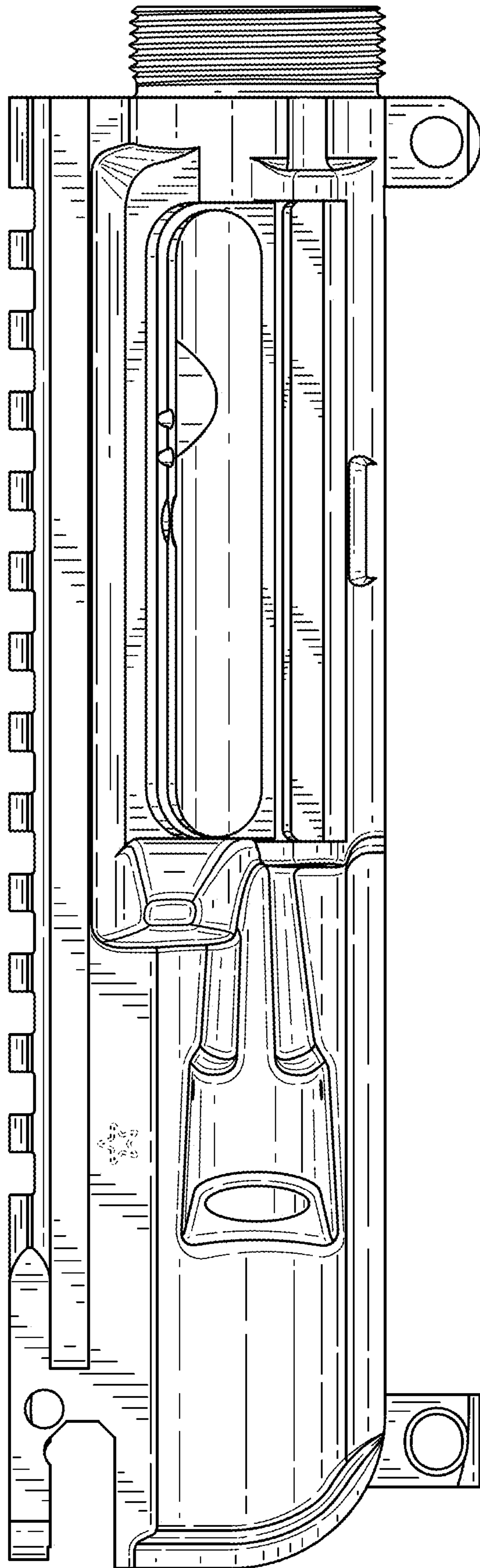


FIG. 3

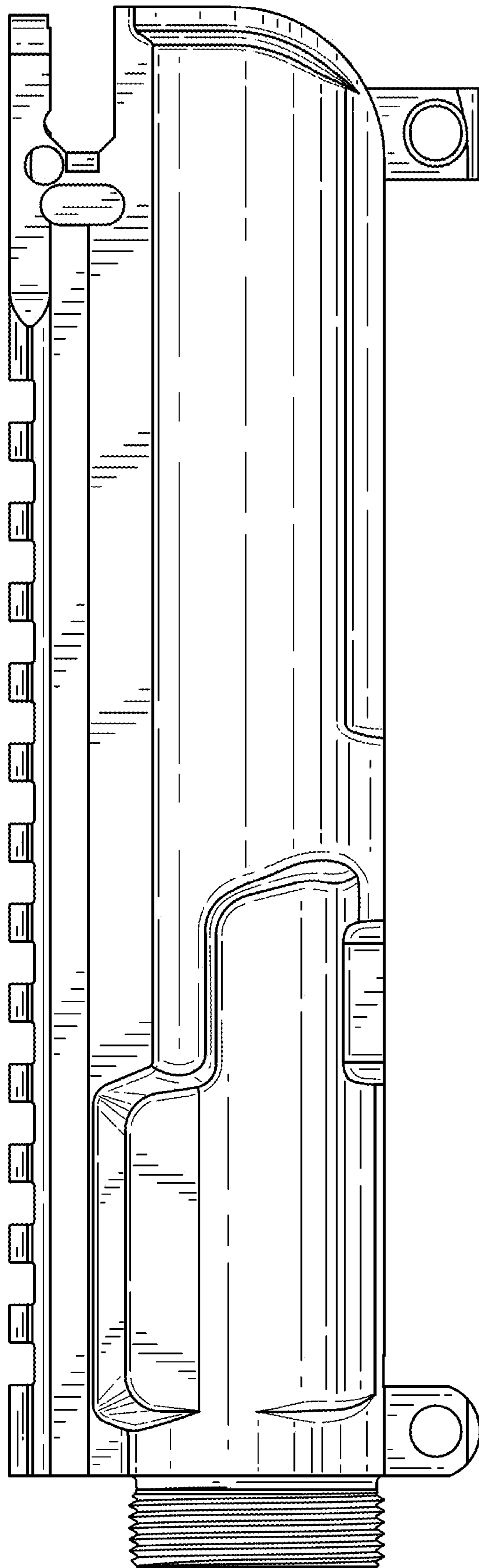


FIG. 4

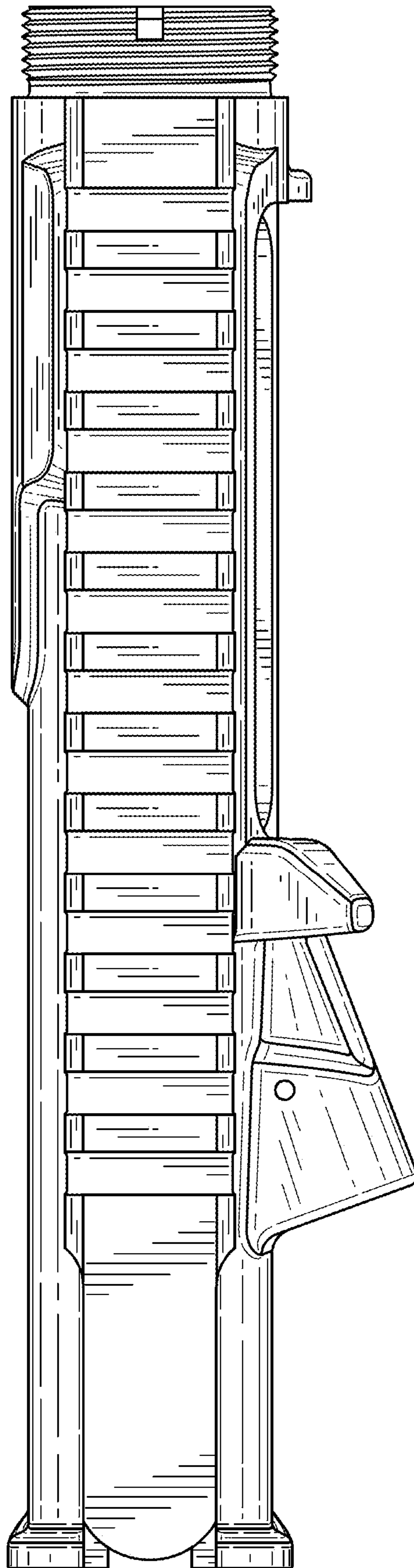


FIG. 5

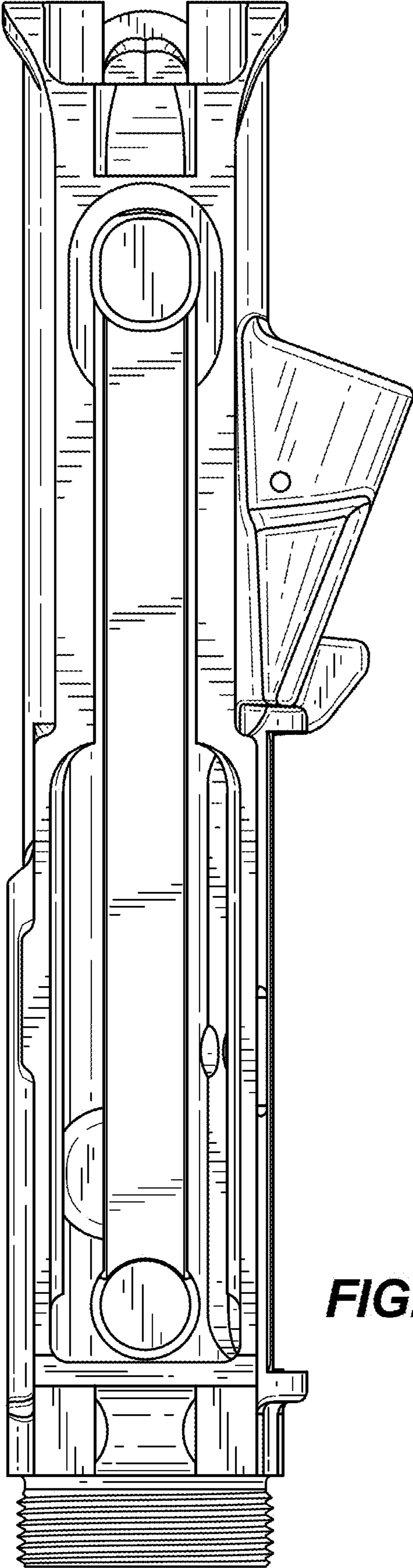


FIG. 6

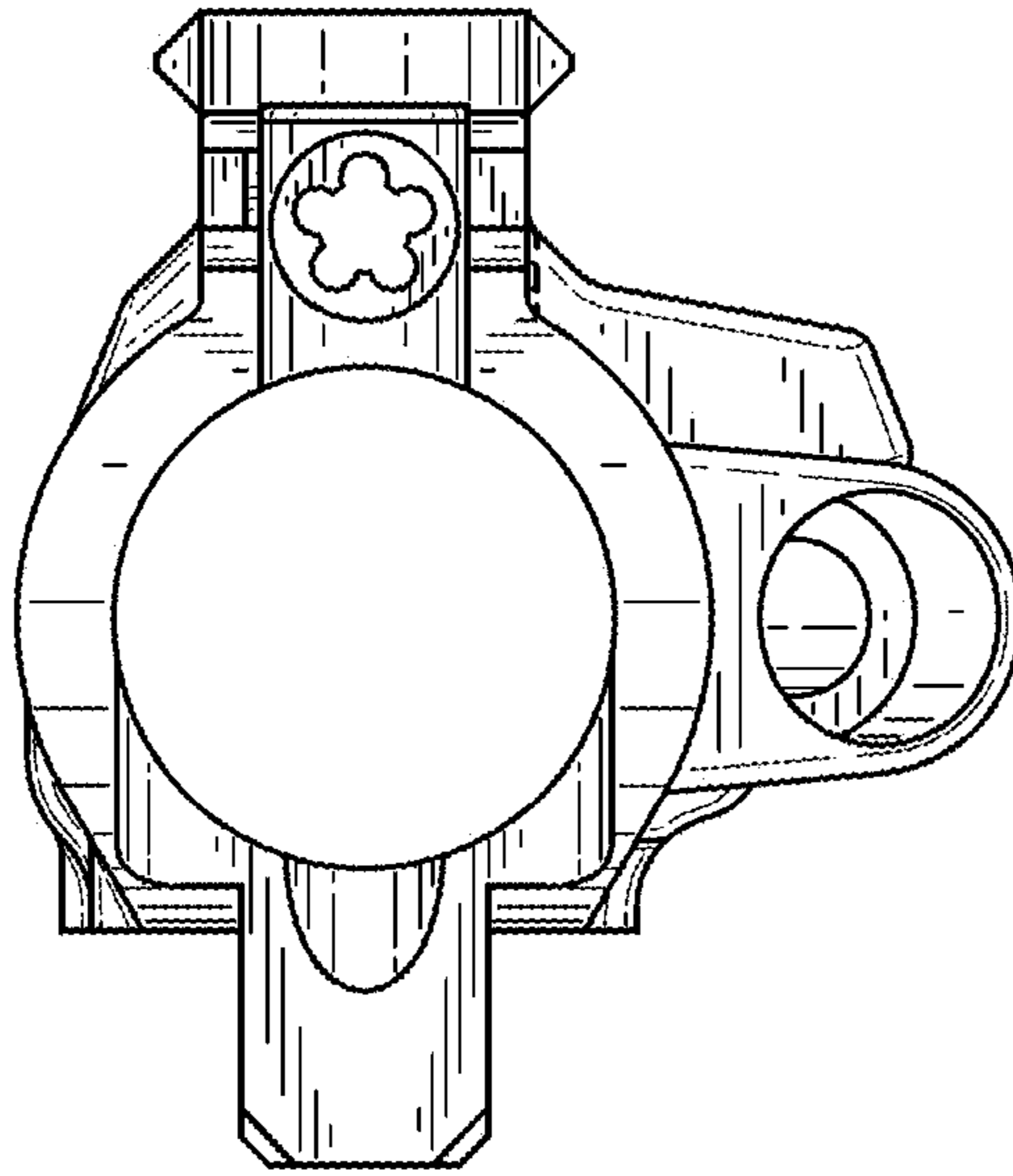


FIG. 7

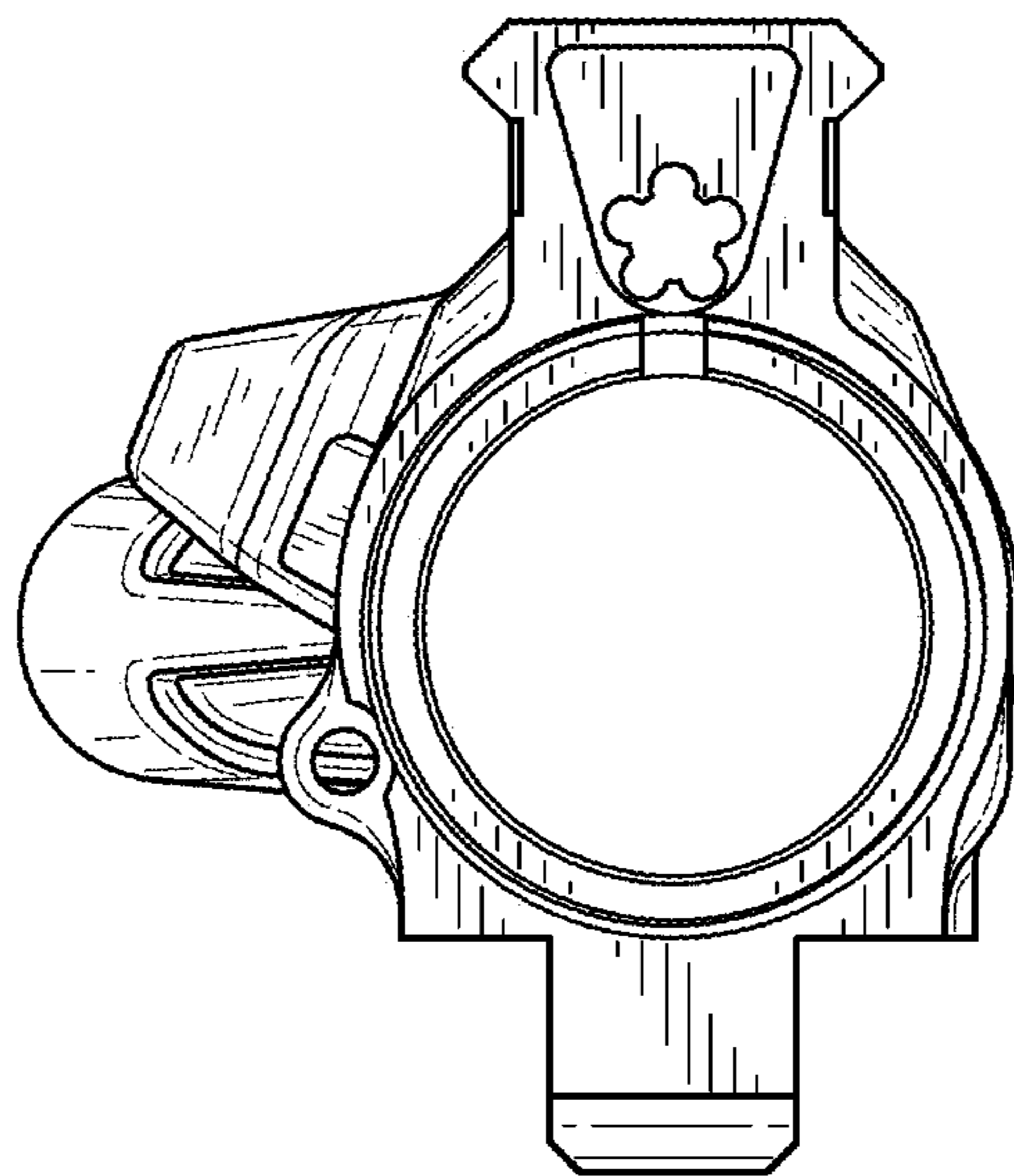


FIG. 8