



US00D888181S

(12) **United States Design Patent** (10) **Patent No.:** **US D888,181 S**
Chin (45) **Date of Patent:** **** Jun. 23, 2020**

(54) **MAGAZINE EXTENSION**
(71) Applicant: **David Chin**, Irvine, CA (US)
(72) Inventor: **David Chin**, Irvine, CA (US)
(**) Term: **15 Years**
(21) Appl. No.: **29/657,952**
(22) Filed: **Jul. 26, 2018**
(51) **LOC (12) Cl.** **22-01**
(52) **U.S. Cl.**
USPC **D22/108**
(58) **Field of Classification Search**
USPC D22/100, 101, 103, 104, 105, 108, 109,
D22/110, 111, 199; D21/567, 573, 574,
D21/575
CPC F41A 23/02; F41A 35/00; F41C 23/04;
F41C 23/12; F41C 27/22
See application file for complete search history.

(56) **References Cited**
U.S. PATENT DOCUMENTS
D344,780 S * 3/1994 Jenkins D22/108
5,584,136 A * 12/1996 Boland F41A 9/71
42/50
7,743,542 B1 * 6/2010 Novak F41C 23/10
42/49.02
7,950,179 B2 * 5/2011 Confrey F41C 23/10
42/49.01
9,354,011 B2 * 5/2016 Cooke F41A 17/063
D767,705 S * 9/2016 Freed D22/108
D783,111 S * 4/2017 Hillis D22/108
D792,546 S * 7/2017 Geissele D22/108
D792,548 S * 7/2017 Daniel D22/108
D795,988 S * 8/2017 Geissele D22/108
D808,492 S * 1/2018 Chen D22/108
D812,176 S * 3/2018 Kielsmeier D22/108
D815,233 S * 4/2018 Toner D22/104
D823,975 S * 7/2018 Anderson D22/108
10,101,105 B1 * 10/2018 Novak F41A 35/00

D838,333 S * 1/2019 Kielsmeier D22/108
D849,178 S * 5/2019 Ding D22/108
D849,868 S * 5/2019 Sroufe D22/104
2002/0029506 A1 * 3/2002 Wollmann F41A 9/65
42/50
2004/0031181 A1 * 2/2004 Freed F41A 9/65
42/71.02
2005/0011097 A1 * 1/2005 Freed F41A 9/65
42/49.02

OTHER PUBLICATIONS

“Magazine Extensions for Glock, S&W, CZ and Sig From Shield Arms” [online]. Doug E. [Published on Mar. 29, 2019]. Retrieved from the Internet: <https://www.thefirearmblog.com/blog/2019/03/29/magazine-extensions-for-glock-sw-cz-and-sig-from-shield-arms/>.*

(Continued)

Primary Examiner — Khawaja Anwar
Assistant Examiner — Mojtaba Tehrani
(74) *Attorney, Agent, or Firm* — Kafantaris Law Offices;
Theo Kafantaris

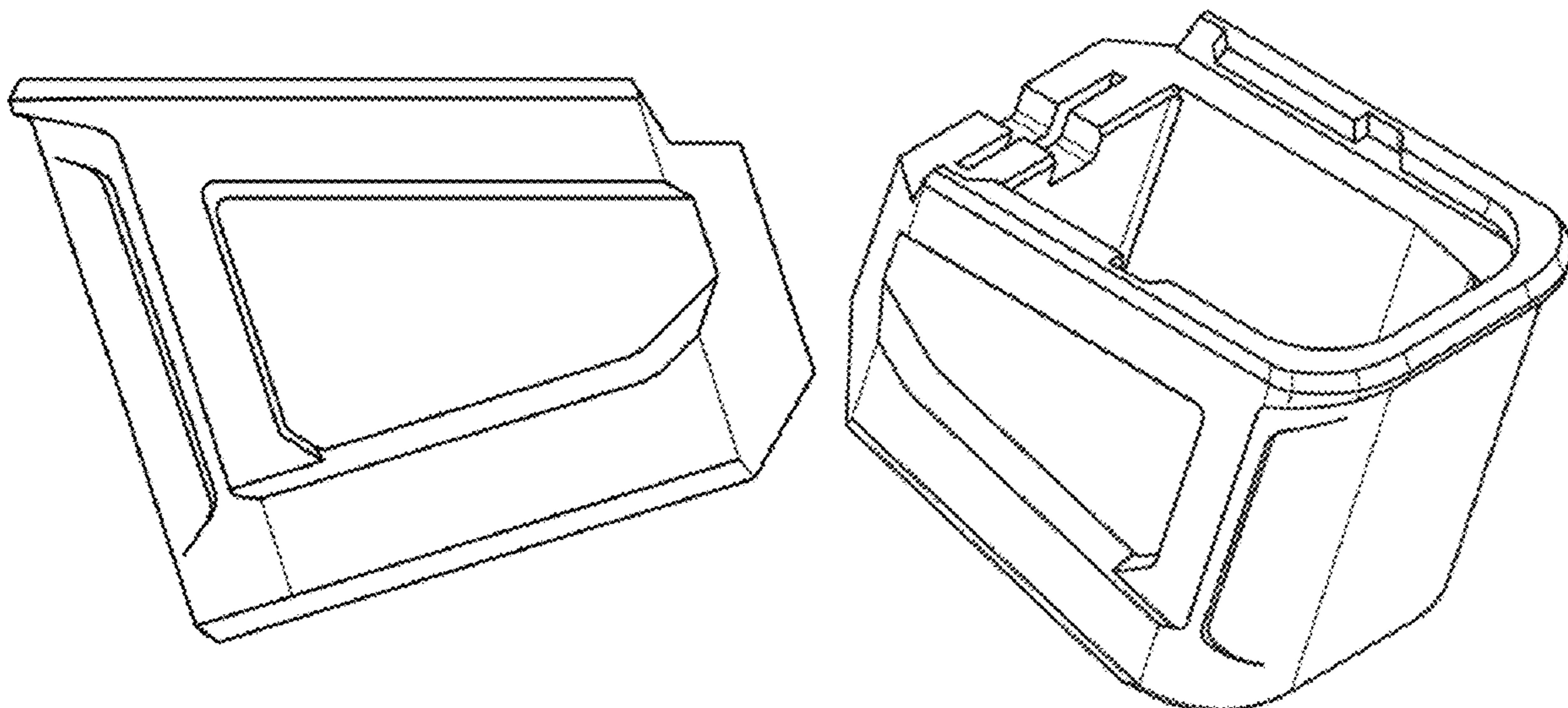
(57) **CLAIM**

The ornamental design for a magazine extension, as shown and described.

DESCRIPTION

FIG. 1 is a front elevation view of a magazine extension, showing my new design;
FIG. 2 is a left side view thereof; the right side view being the mirror image thereof;
FIG. 3 is a top plan view thereof;
FIG. 4 is a bottom plan view thereof;
FIG. 5 is a rear elevation view thereof;
FIG. 6 is a top-front perspective view thereof; and,
FIG. 7 is a bottom-rear perspective view thereof.

1 Claim, 3 Drawing Sheets



(56)

References Cited

OTHER PUBLICATIONS

“TFB Review: Taran Tactical Glock G17L Combat Master” [online]. Pete. [Published on Jun. 29, 2018]. Retrieved from the Internet: <https://www.thefirearmblog.com/blog/2018/06/29/taran-tactical-combat-master/>.*

“Glock 19 Mag Extension—California Legal” [online]. slrrifleworks.com. [Retrieved on Jun. 18, 2019]. Retrieved from the Internet: https://slrrifleworks.com/index.php?route=product/product&product_id=1441.*

“Tyrant Designs Glock 43 +3 Magazine Extension” [online]. wingtactical.com. [Retrieved on Jun. 18, 2019]. Retrieved from the Internet: <https://www.wingtactical.com/firearm-parts/handgun/handgun-magazine-accessories/tyrant-designs-glock-43-3-magazine-extension/>.*

* cited by examiner

FIG. 1

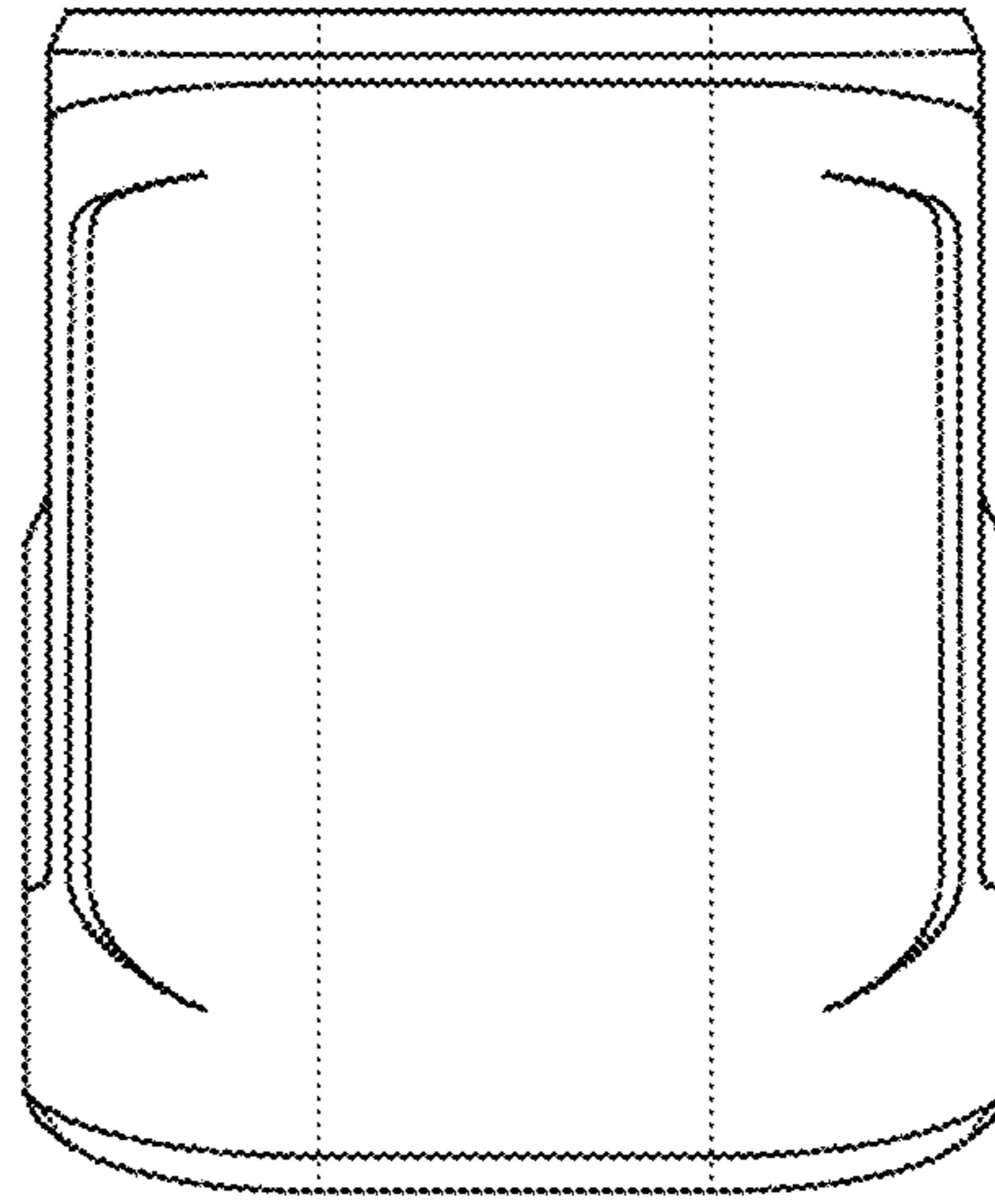


FIG. 2

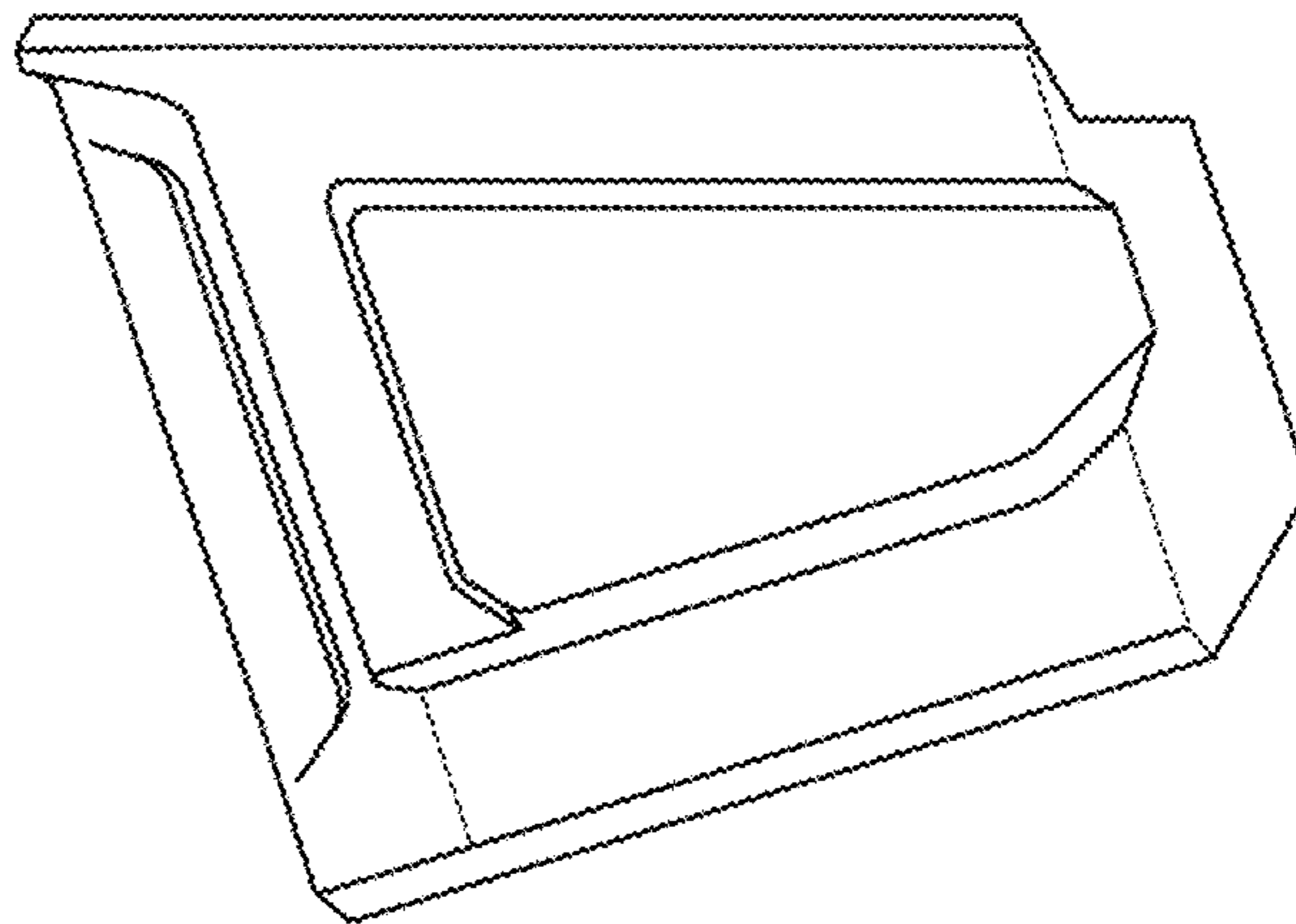


FIG. 3

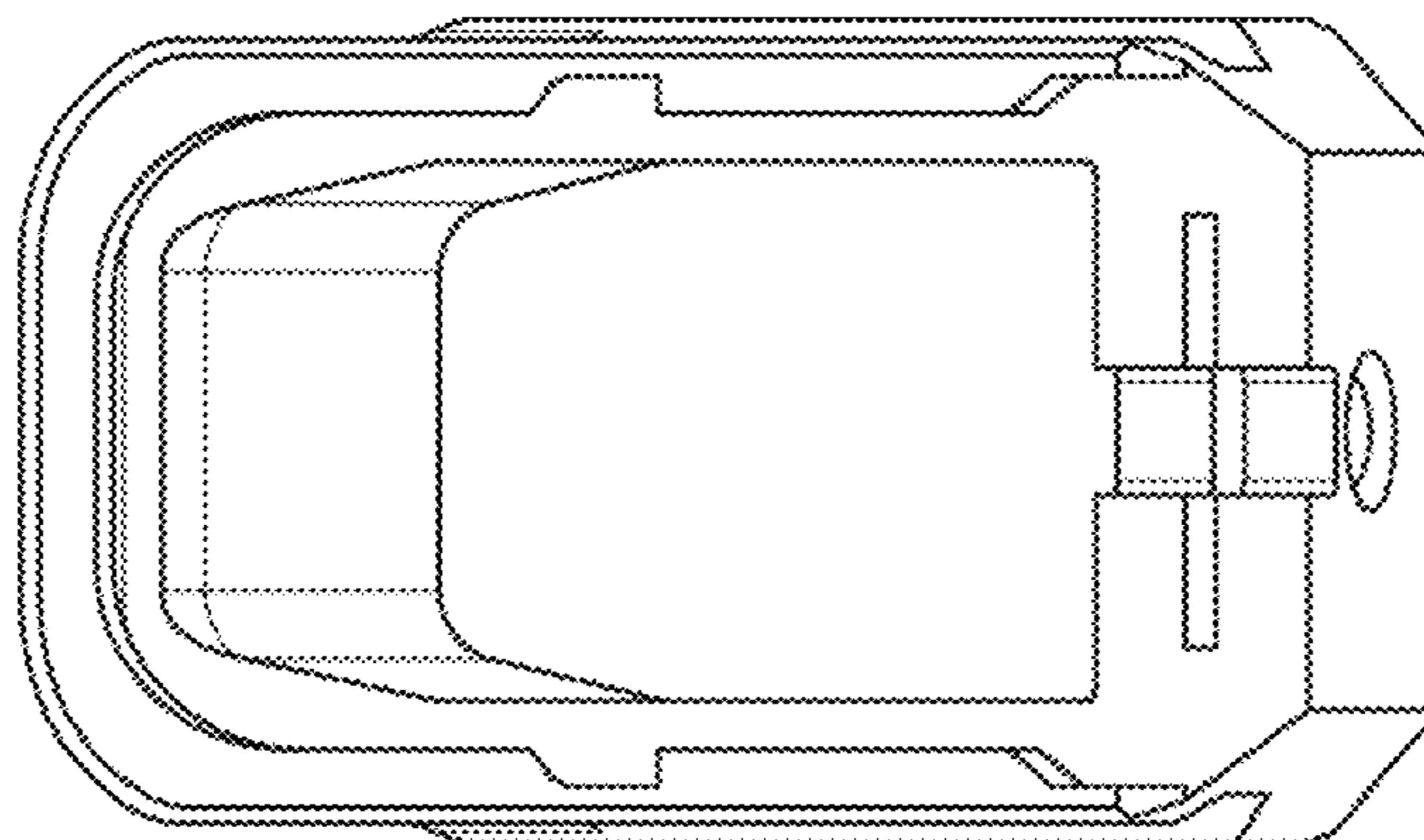


FIG. 4

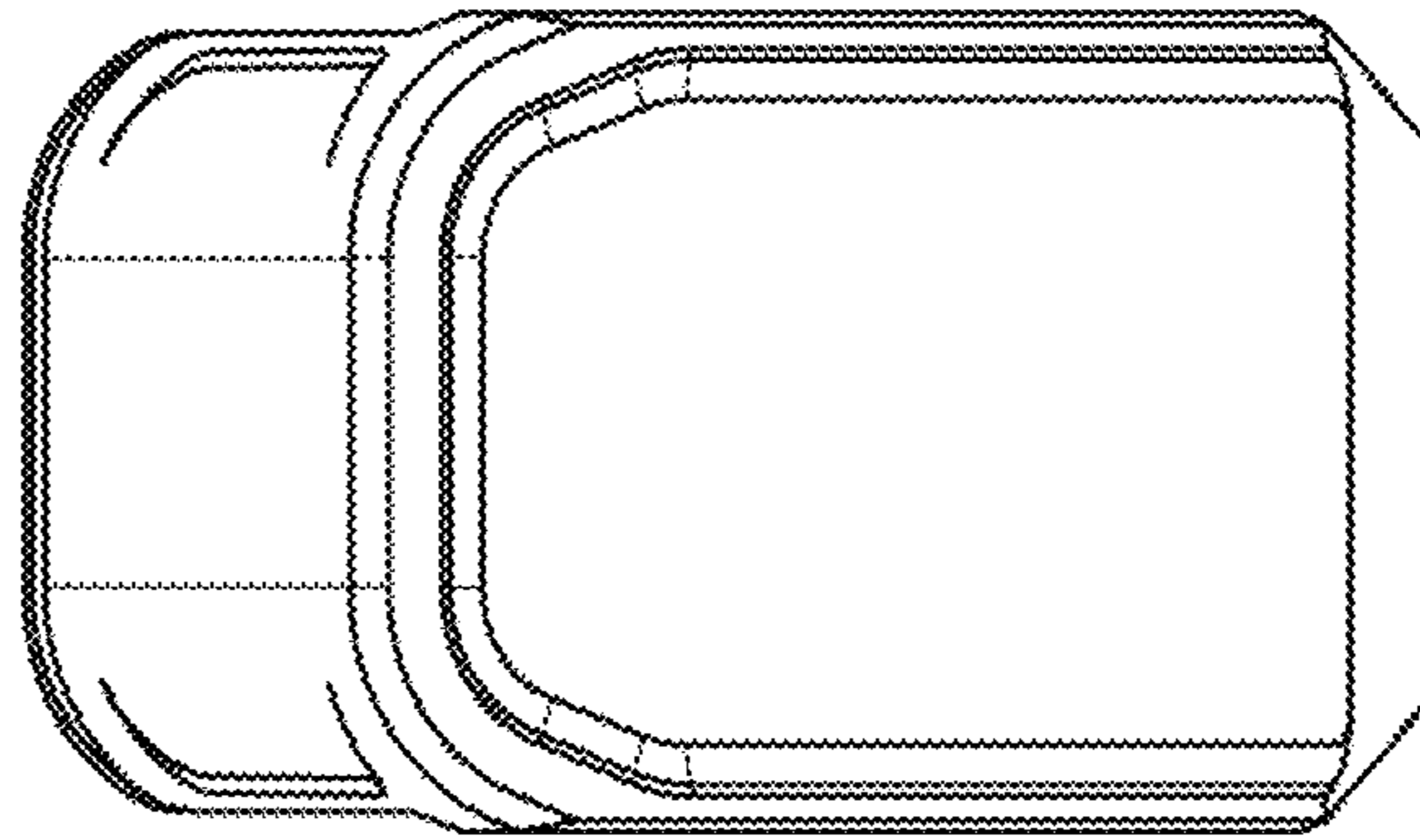


FIG. 5

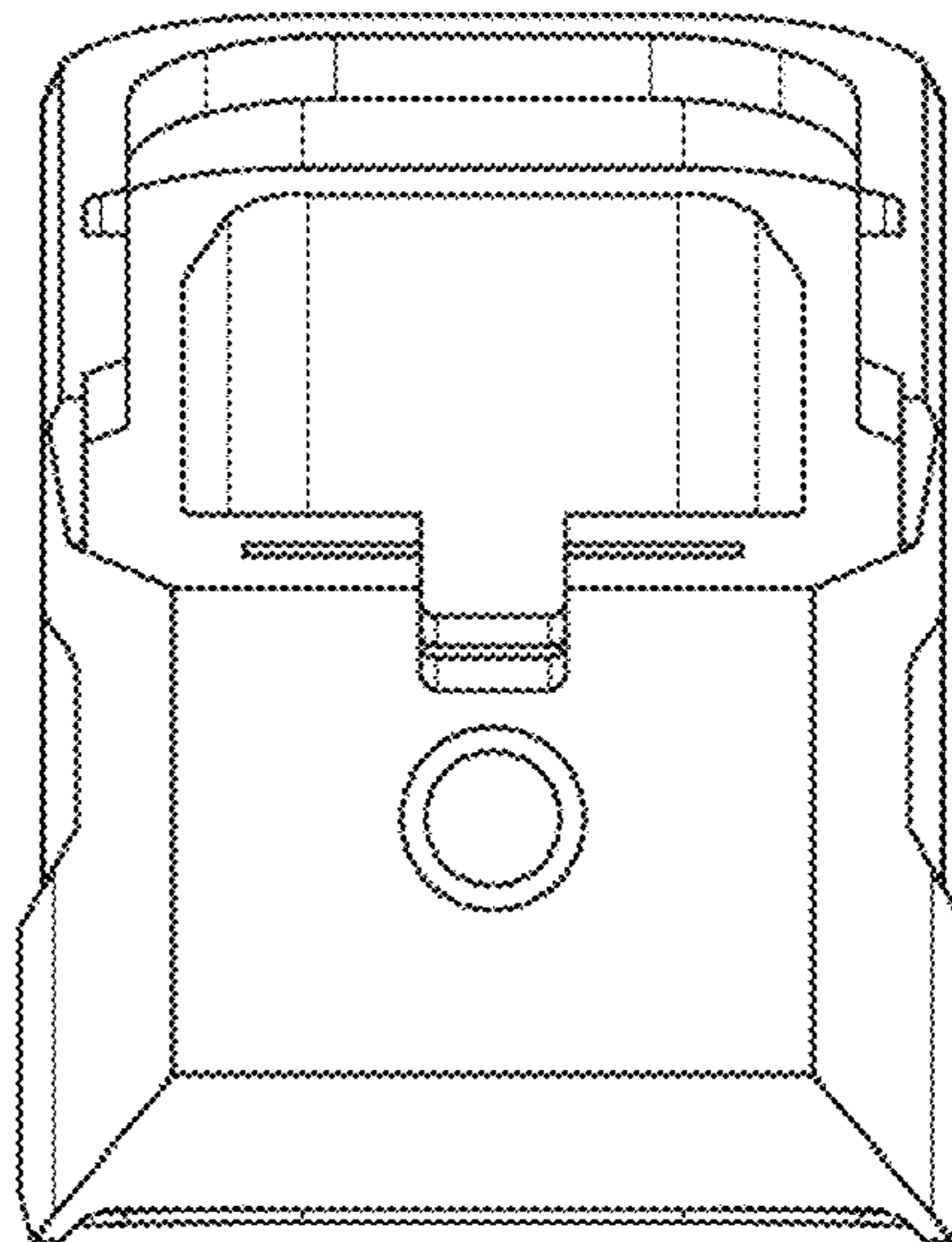


FIG. 6

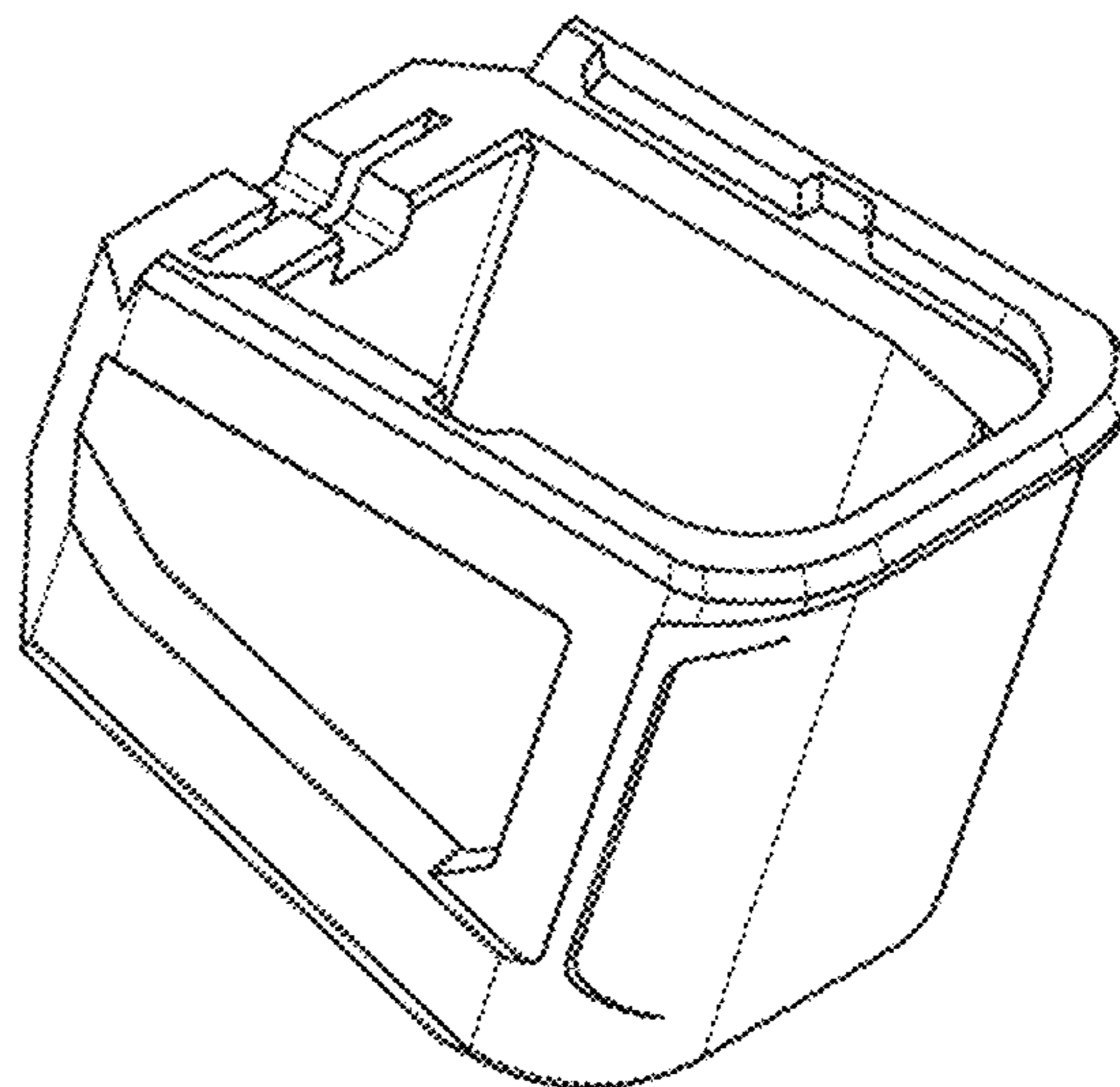


FIG. 7

