



US00D888179S

(12) **United States Design Patent**
Jurado Navarro

(10) **Patent No.:** **US D888,179 S**
(45) **Date of Patent:** **** Jun. 23, 2020**

(54) **FLOTATION DEVICE**

(71) Applicant: **Daniel Jurado Navarro**, Seville (ES)

(72) Inventor: **Daniel Jurado Navarro**, Seville (ES)

(**) Term: **15 Years**

(21) Appl. No.: **29/647,384**

(22) Filed: **May 11, 2018**

(30) **Foreign Application Priority Data**

Nov. 13, 2017 (ES) 0526325

(51) **LOC (12) Cl.** **21-02**

(52) **U.S. Cl.**

USPC **D21/804**; D29/124

(58) **Field of Classification Search**

USPC D21/803-807, 760, 761, 765, 766,
D21/769-770, 801, 809; D28/7, 8,
D28/56-61; D29/124; D6/392, 596, 601,
D6/604; D12/5, 6, 316; D24/123, 183,
D24/189

CPC A47C 7/62; A63B 69/12

See application file for complete search history.

(56) **References Cited**

U.S. PATENT DOCUMENTS

- 4,894,034 A * 1/1990 Brown, III B63B 35/7906
280/18.1
- D318,203 S * 7/1991 Zaghini 5/636
- D344,120 S * 2/1994 Helt D21/804
- D346,194 S * 4/1994 Ferris D12/11
- D349,541 S * 8/1994 Bertolucci D21/686
- 5,530,980 A * 7/1996 Sommerhalter, Jr.
A47C 20/021
5/624
- 5,628,714 A * 5/1997 Philipson A63B 21/0552
482/102
- D387,838 S * 12/1997 Canela D21/803
- D394,977 S * 6/1998 Frydman D6/596
- 5,921,898 A * 7/1999 McDonald A61H 37/005
441/108

- D436,175 S * 1/2001 Tumey D24/183
- 6,179,756 B1 * 1/2001 Bertolucci A63B 21/0023
482/131
- D457,241 S * 5/2002 Dunshee D24/145
- 6,578,218 B2 * 6/2003 Wassilefsky A47C 20/021
5/630

(Continued)

OTHER PUBLICATIONS

Float for Your Relax: Published May 18, 2018 [online], site visited Jan. 27, 2020. Available from Internet URL: <https://es.ulule.com/acuaflat/> (Year: 2018).*

(Continued)

Primary Examiner — Jack Reickel

Assistant Examiner — Melvin L Davis

(74) *Attorney, Agent, or Firm* — Lucas & Mercanti, LLP

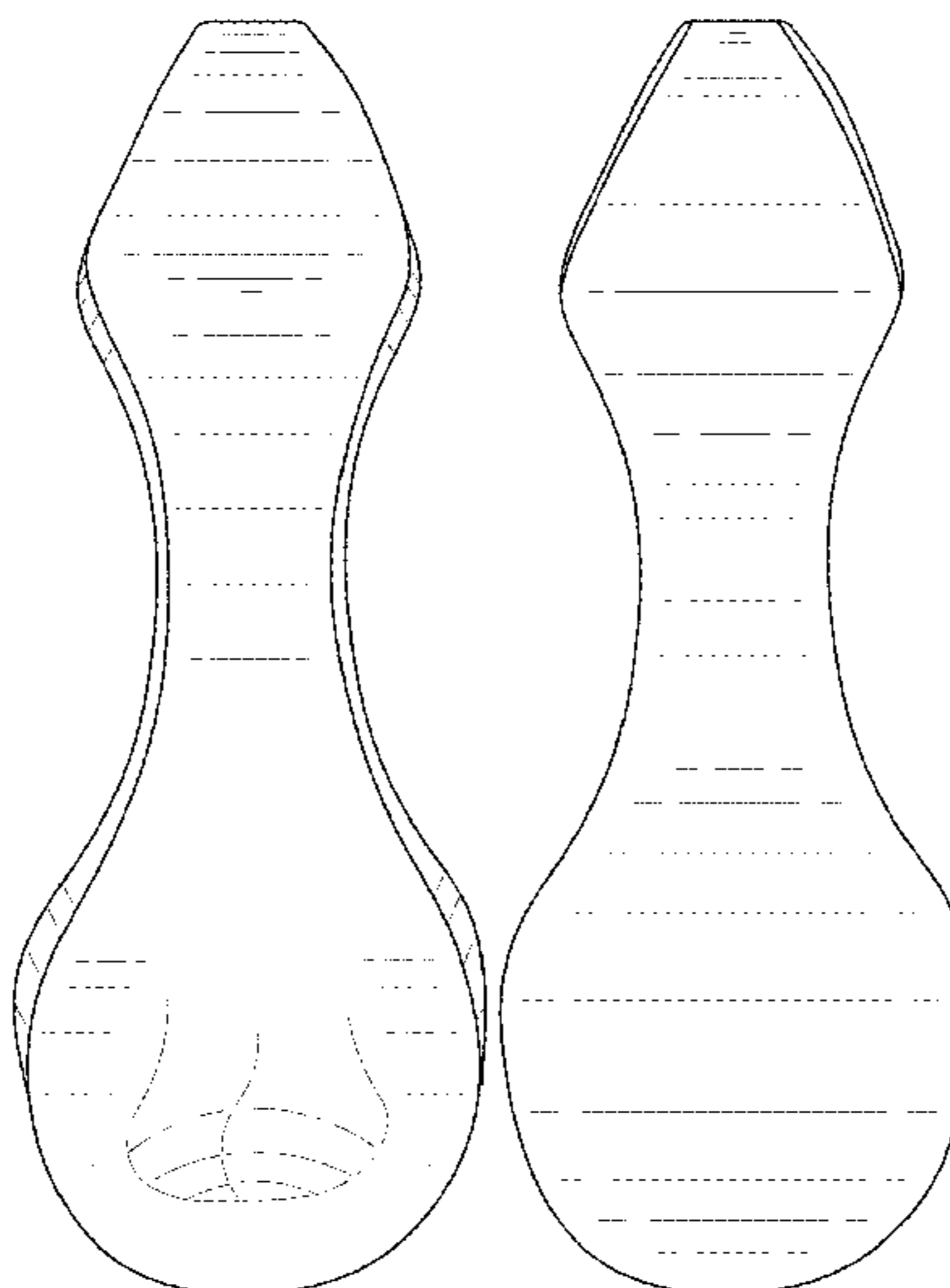
(57) **CLAIM**

The ornamental design for a flotation device, as shown and described.

DESCRIPTION

- FIG. 1 is a front view of a first embodiment of a flotation device;
- FIG. 2 is a side view thereof;
- FIG. 3 is a side perspective view thereof;
- FIG. 4 is a bottom view thereof;
- FIG. 5 is a front view of a second embodiment of a flotation device;
- FIG. 6 is a side view thereof;
- FIG. 7 is a side perspective view thereof;
- FIG. 8 is a bottom view thereof;
- FIG. 9 is a front view of a third embodiment of a flotation device;
- FIG. 10 is a side view thereof;
- FIG. 11 is a side perspective view thereof; and,
- FIG. 12 is a bottom view thereof.

1 Claim, 12 Drawing Sheets



(56)

References Cited

U.S. PATENT DOCUMENTS

6,692,322 B1 * 2/2004 Heatherly A47C 15/006
441/120
D561,863 S * 2/2008 Moyal D21/804
D574,917 S * 8/2008 Parham D21/803
D583,006 S * 12/2008 Hennings, III D21/801
D591,548 S * 5/2009 LaFratta D6/601
D607,525 S * 1/2010 Marciano D21/769
D639,101 S * 6/2011 Kalatsky D6/601
D663,988 S * 7/2012 Bannister D6/601
D686,683 S * 7/2013 Sanchez D21/769
9,220,345 B2 * 12/2015 Davis A47C 7/62
D786,369 S * 5/2017 Choi D21/688
2015/0258386 A1 * 9/2015 Kim A63B 31/12
441/60
2015/0283447 A1 * 10/2015 DiLorenzo A63B 69/12
482/55

OTHER PUBLICATIONS

Finis Axis Buoy: Published Oct. 9, 2015[online], site visited Jan. 27, 2020. Available from Internet URL: https://www.amazon.co.uk/dp/B00RZNE3OO/ref=cm_sw_r_tw_dp_U_x_Zj6IEbVB2GTAZ (Year: 2015).*

Airhead Sun Comfort Saddle Airhead: Published Jul. 14, 2016 [online], site visited Feb. 3, 2020. Available from Internet URL: https://www.amazon.com/dp/B0767H5TNL/ref=cm_sw_r_tw_dp_U_x_PSeoEbNEZ3F61 (Year: 2016).*

* cited by examiner

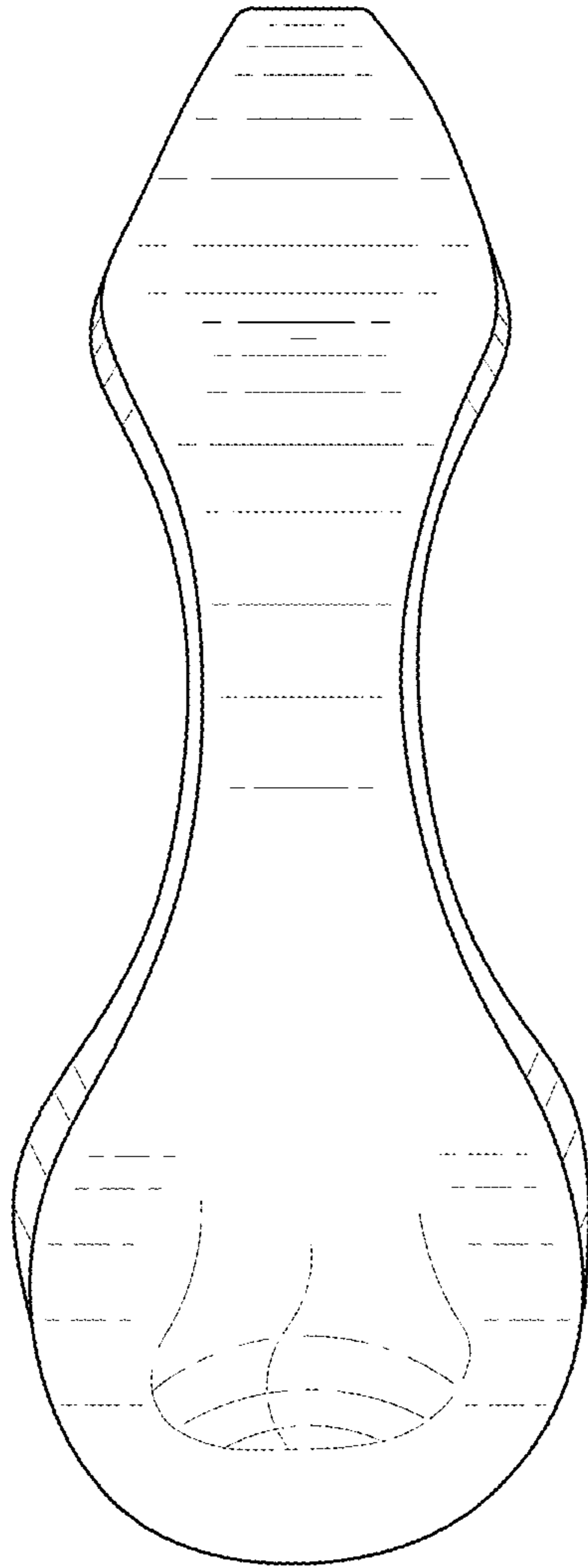


FIG. 1

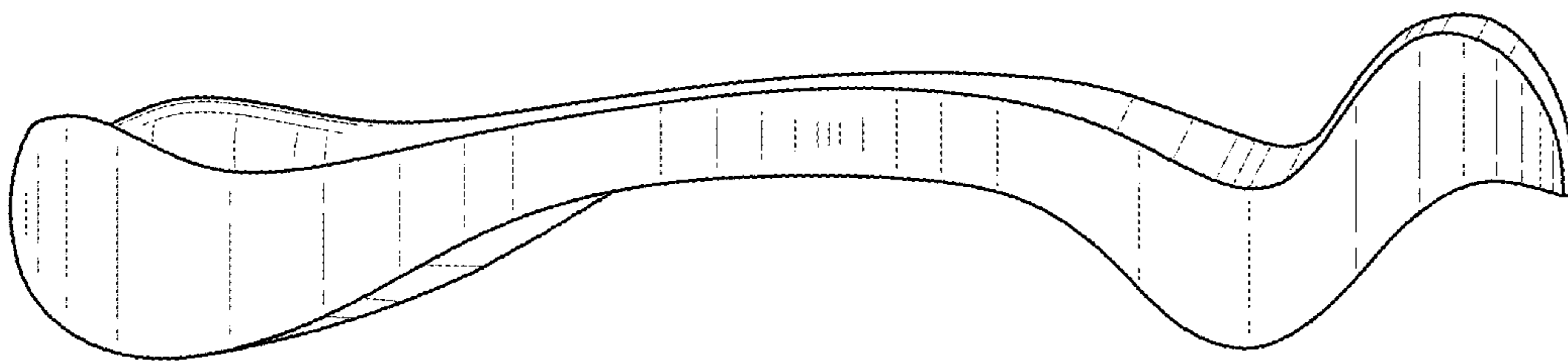


FIG. 2

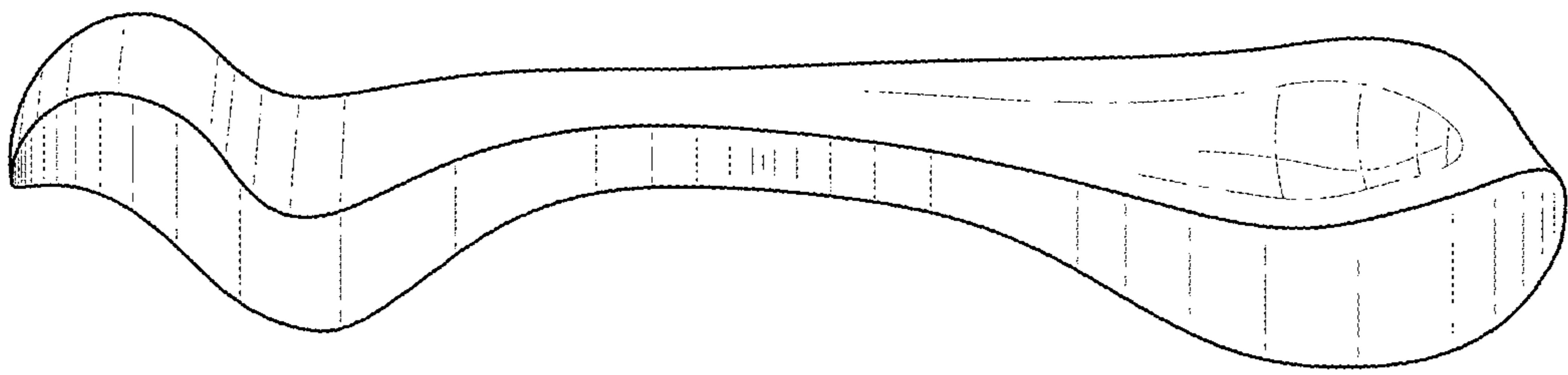


FIG. 3

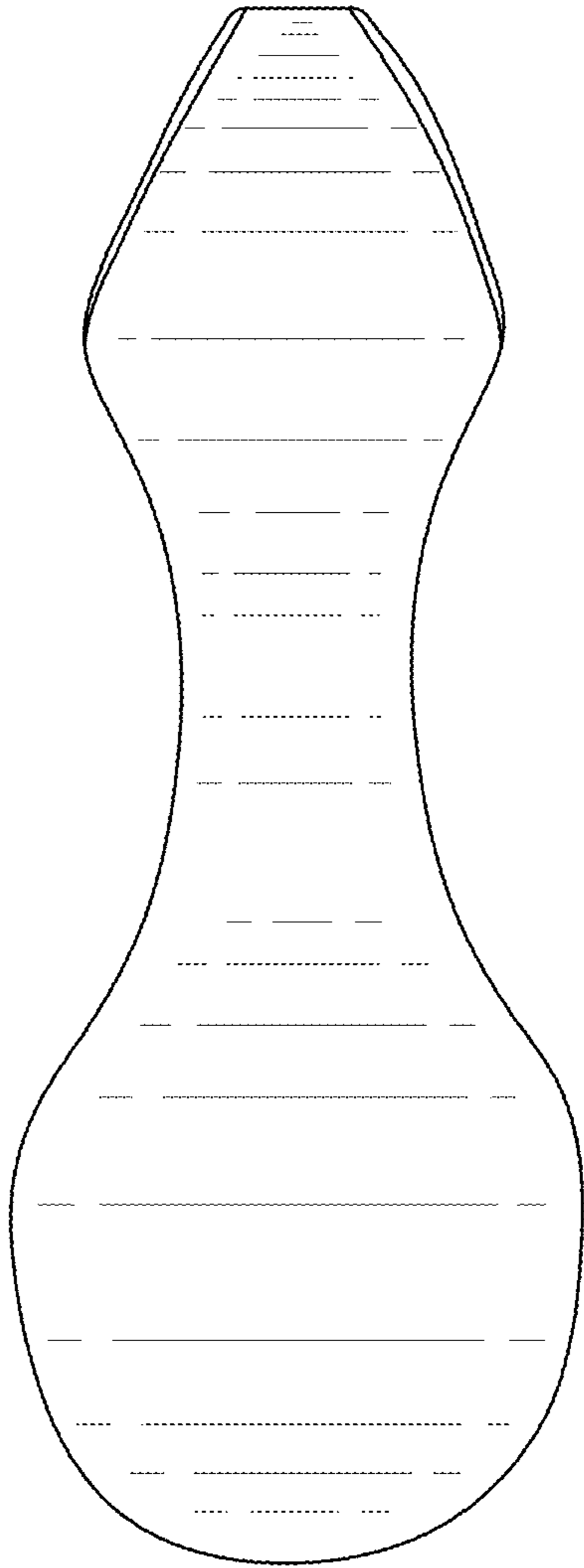


FIG. 4

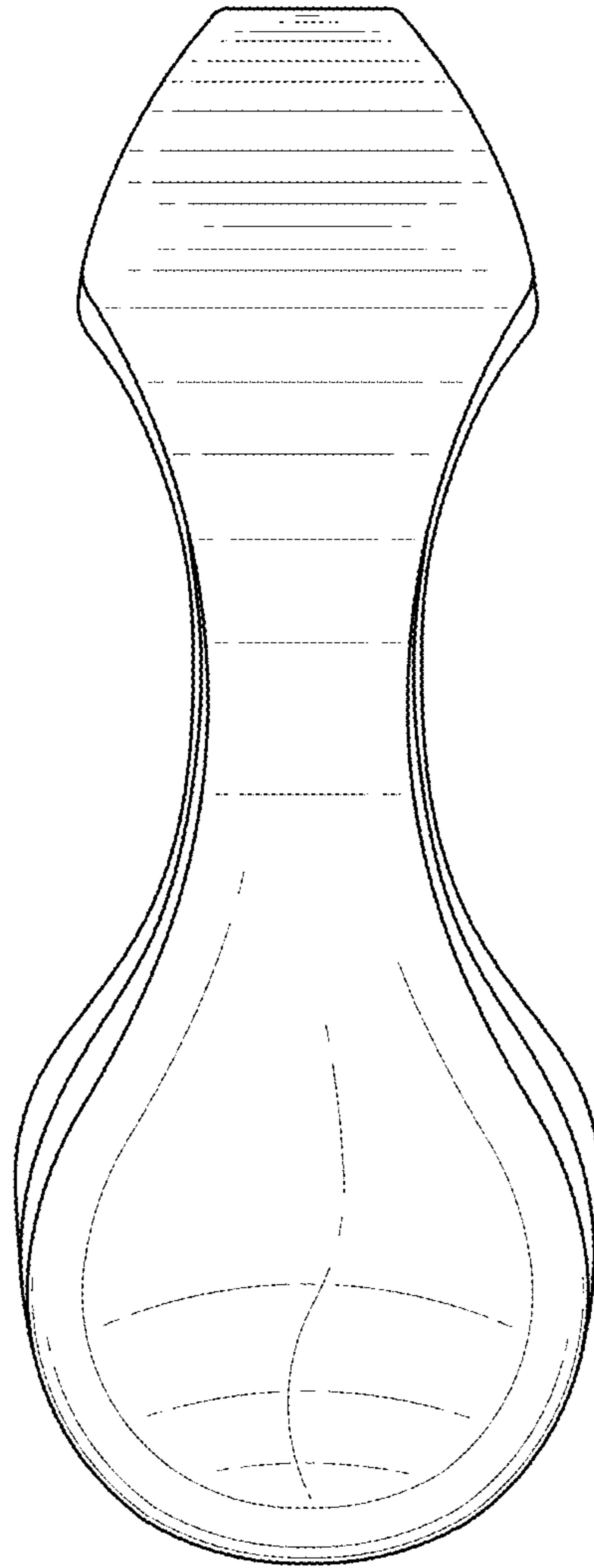


FIG. 5

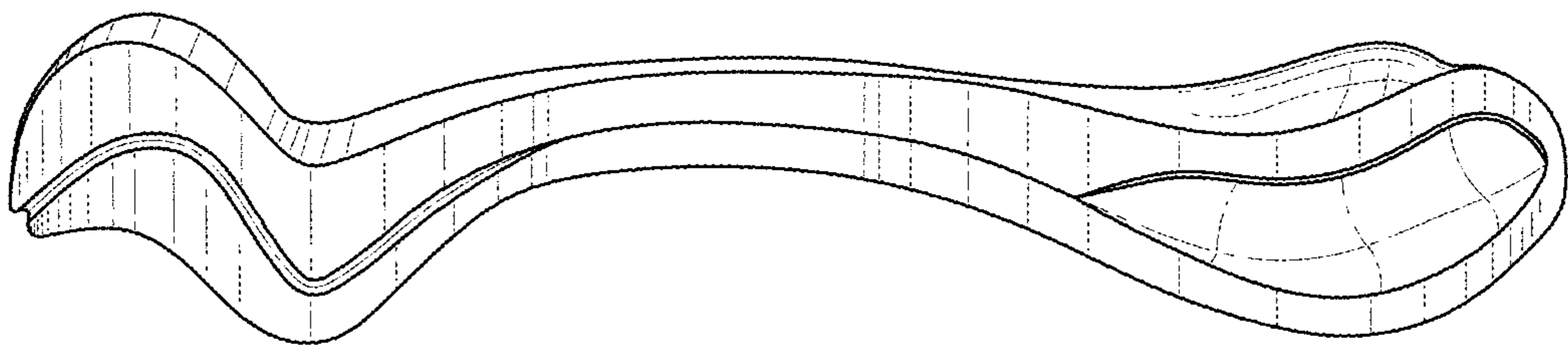


FIG. 6

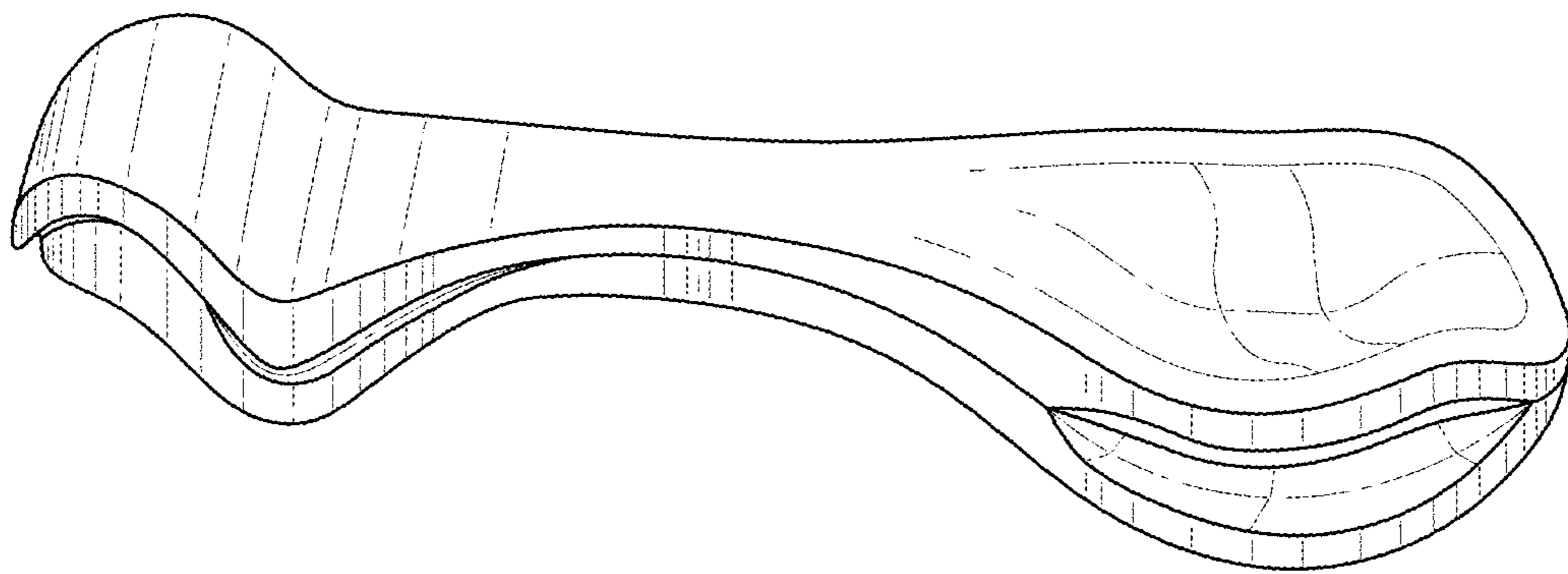


FIG. 7

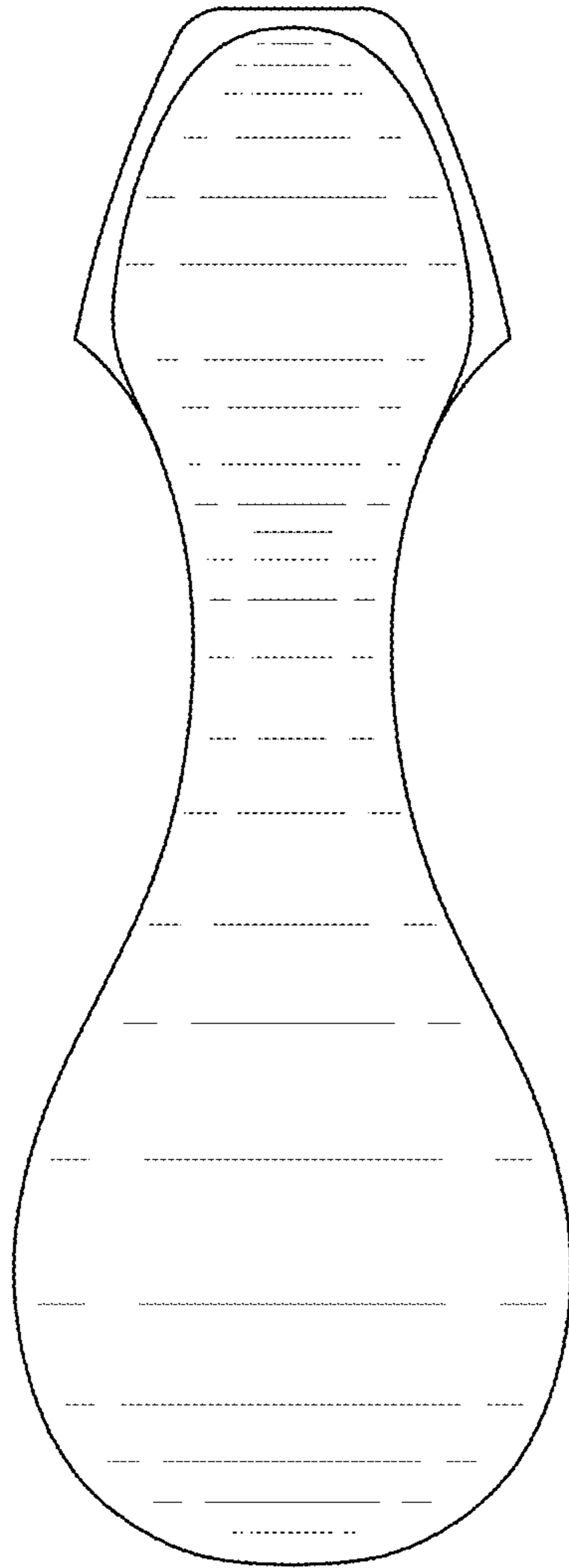


FIG. 8

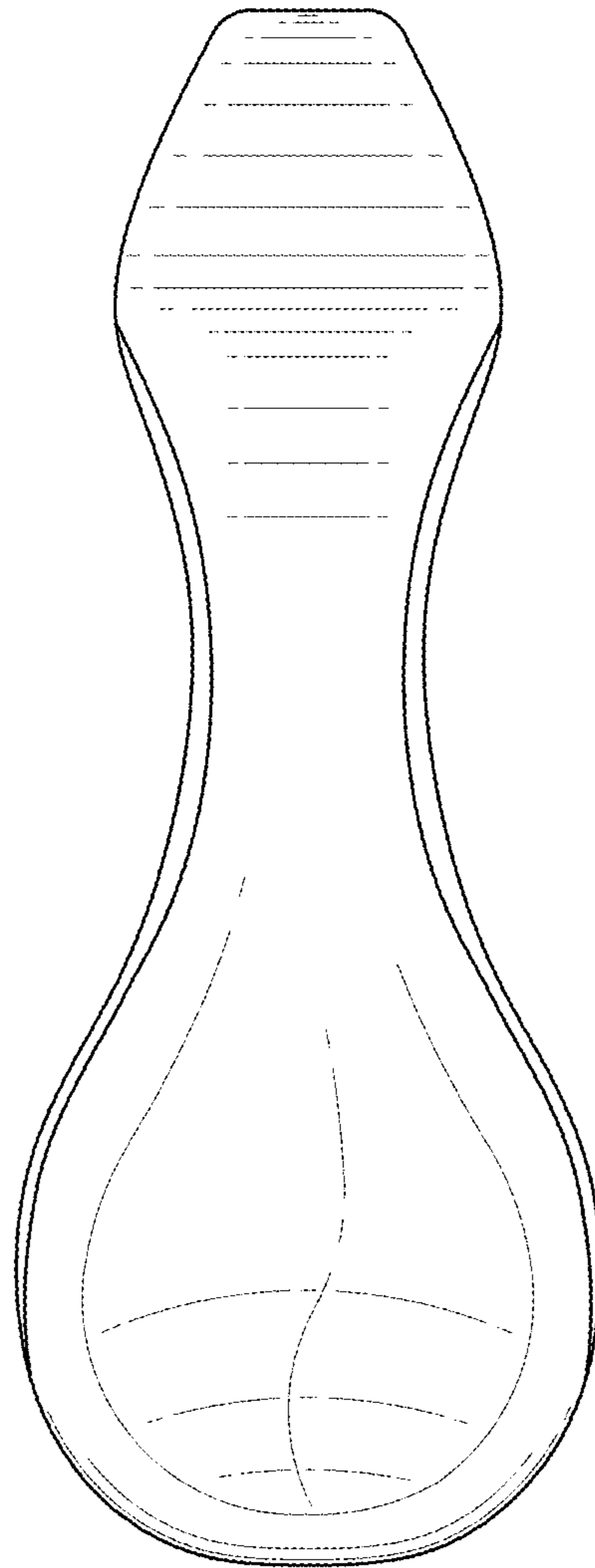


FIG. 9

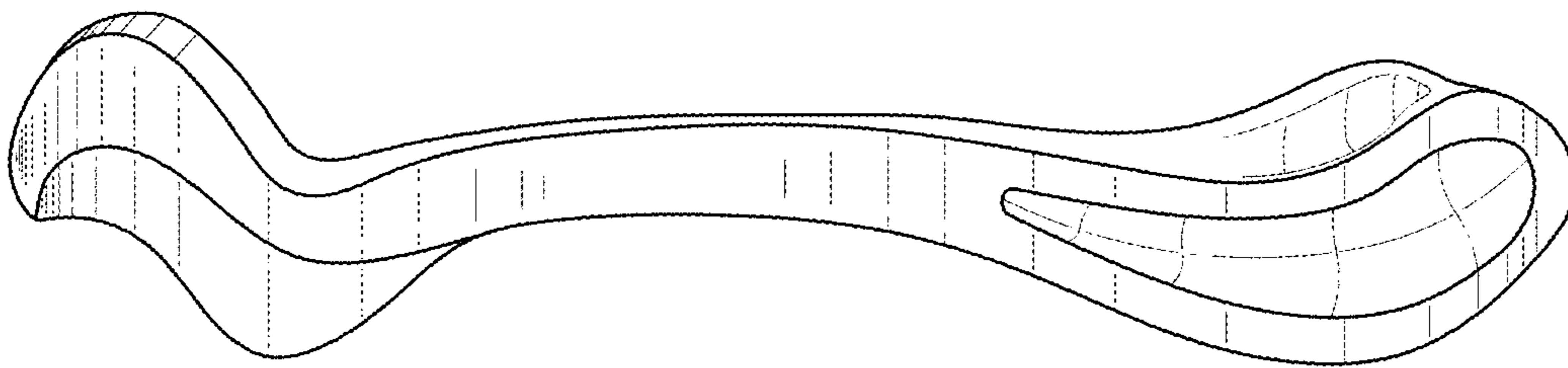


FIG. 10

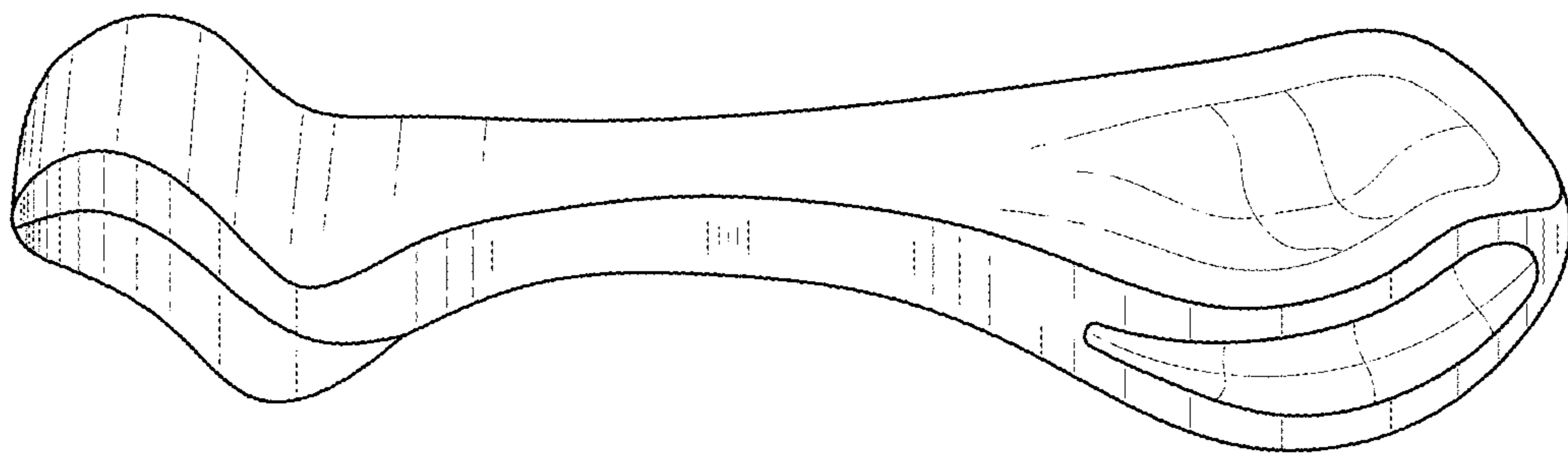


FIG. 11

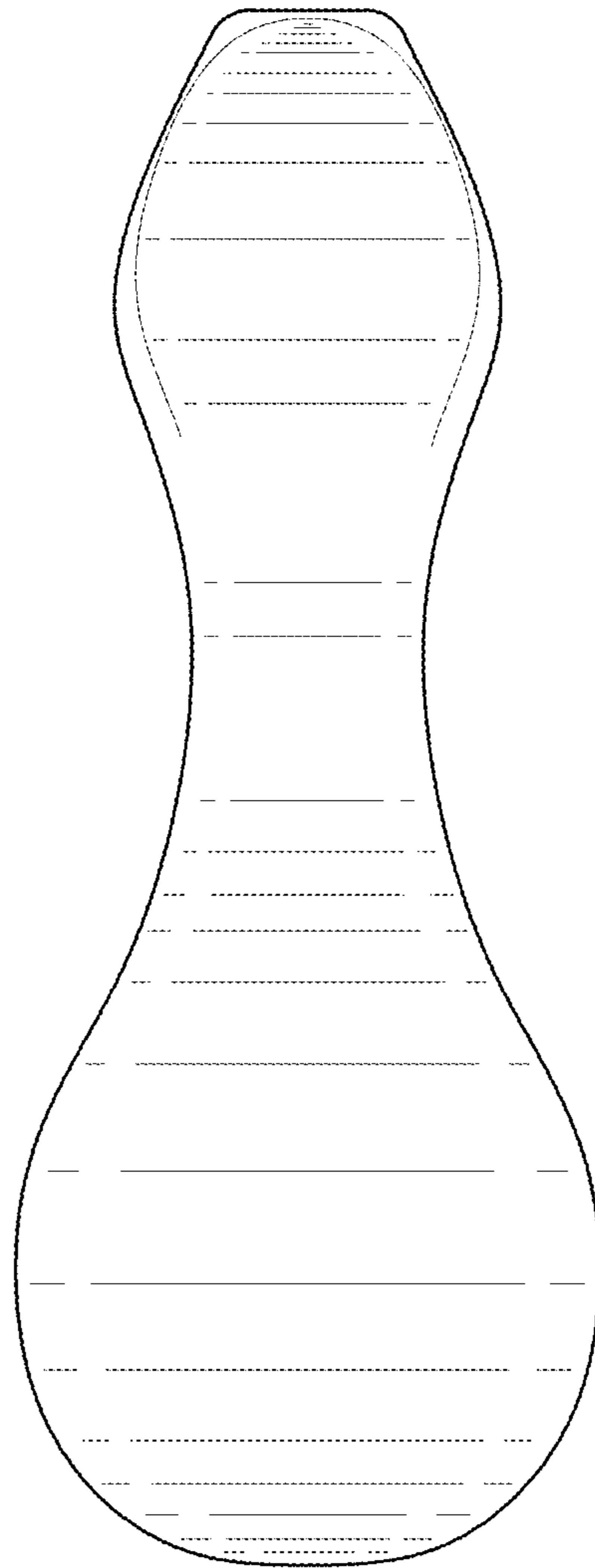


FIG. 12