



US00D888178S

(12) **United States Design Patent**
Peterson

(10) **Patent No.:** **US D888,178 S**
(45) **Date of Patent:** **** Jun. 23, 2020**

(54) **INFLATABLE TOWABLE VEHICLE**

D427,656 S *	7/2000	Peterson	D21/801
D428,269 S *	7/2000	Peterson	D6/349
D634,384 S *	3/2011	Song	D21/769
D777,281 S *	1/2017	Peterson	D21/803
D846,678 S *	4/2019	Arias	D21/803

(71) Applicant: **SDS Asia Limited, BVI #1748971,**
Hong Kong (CN)

(72) Inventor: **Leroy L. Peterson,** Omaha, NE (US)

* cited by examiner

(73) Assignee: **SDS Asia Limited, BVI #1748971,**
Hong Kong (CN)

Primary Examiner — Zenia I Bennett

(74) *Attorney, Agent, or Firm* — Suiter Swantz pc llo

(**) Term: **15 Years**

(21) Appl. No.: **29/662,523**

(22) Filed: **Sep. 6, 2018**

(51) **LOC (12) Cl.** **21-02**

(52) **U.S. Cl.**
USPC **D21/803**

(58) **Field of Classification Search**
USPC D21/769–770, 801, 803, 809; D12/5, 6,
D12/316; D6/392, 595, 596, 601, 604,
D6/605
CPC B63B 35/00; B63B 35/001; B63B 35/58;
B63B 35/73; B63B 35/78
See application file for complete search history.

(56) **References Cited**

U.S. PATENT DOCUMENTS

D332,125 S *	12/1992	Gagnon	D21/808
D383,504 S *	9/1997	Millington	D21/803

(57) **CLAIM**

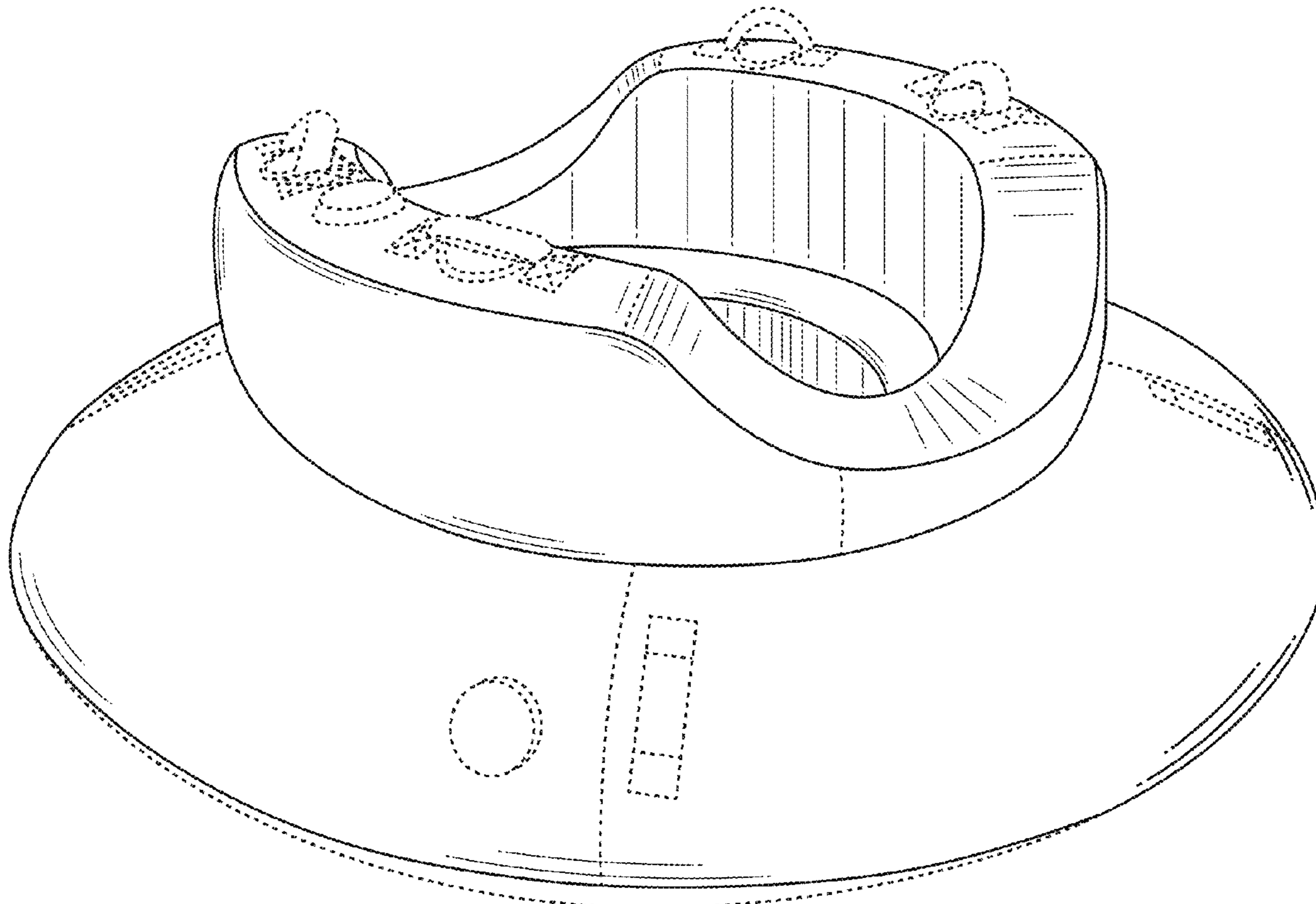
The ornamental design for an inflatable towable vehicle, as shown and described.

DESCRIPTION

FIG. 1 is a perspective view showing our new design;
FIG. 2 is a top plan view thereof;
FIG. 3 is a bottom plan view thereof;
FIG. 4 is a front elevation view thereof;
FIG. 5 is a rear elevation view thereof;
FIG. 6 is a right side elevation view thereof; and,
FIG. 7 is a left side elevation view thereof.

The broken lines showing stitching, a bottom portion, valves, straps, and handles of FIGS. 1-7 form no part of the claimed design. The broken lines in the drawing depicting the circular inside surface shown in FIG. 2 are for illustrative purposes only and form no part of the claimed design.

1 Claim, 7 Drawing Sheets



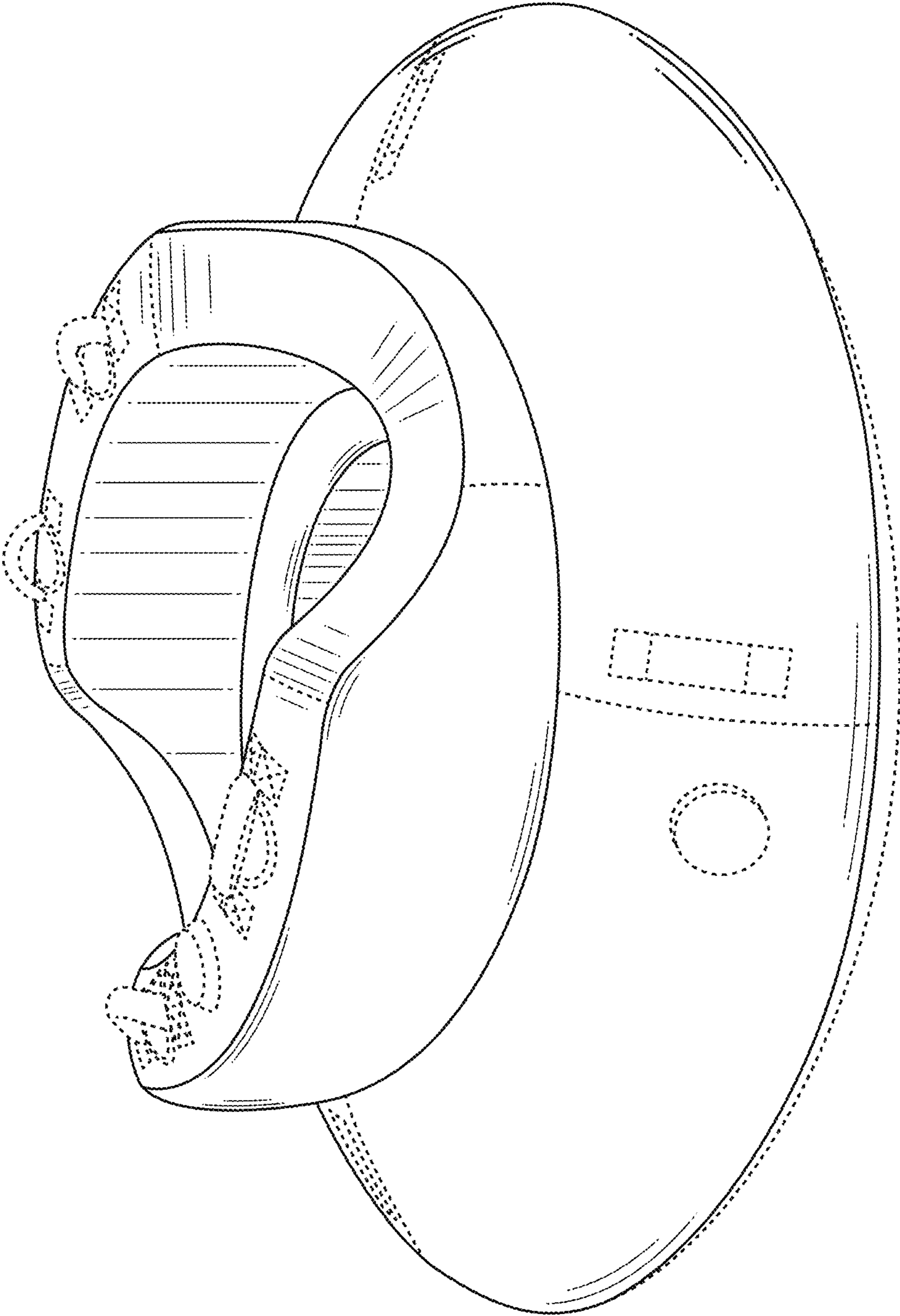


FIG. 1

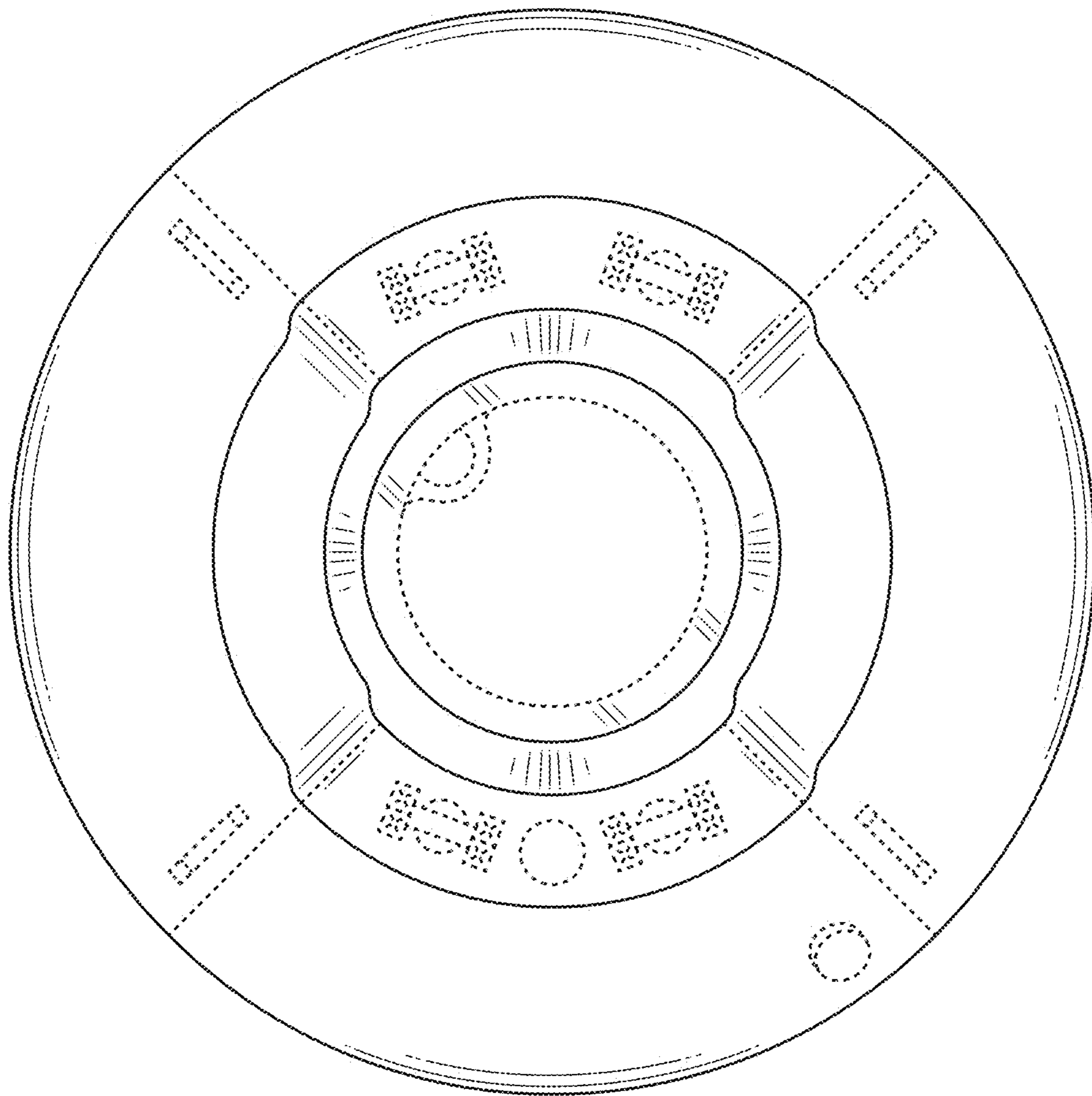


FIG. 2

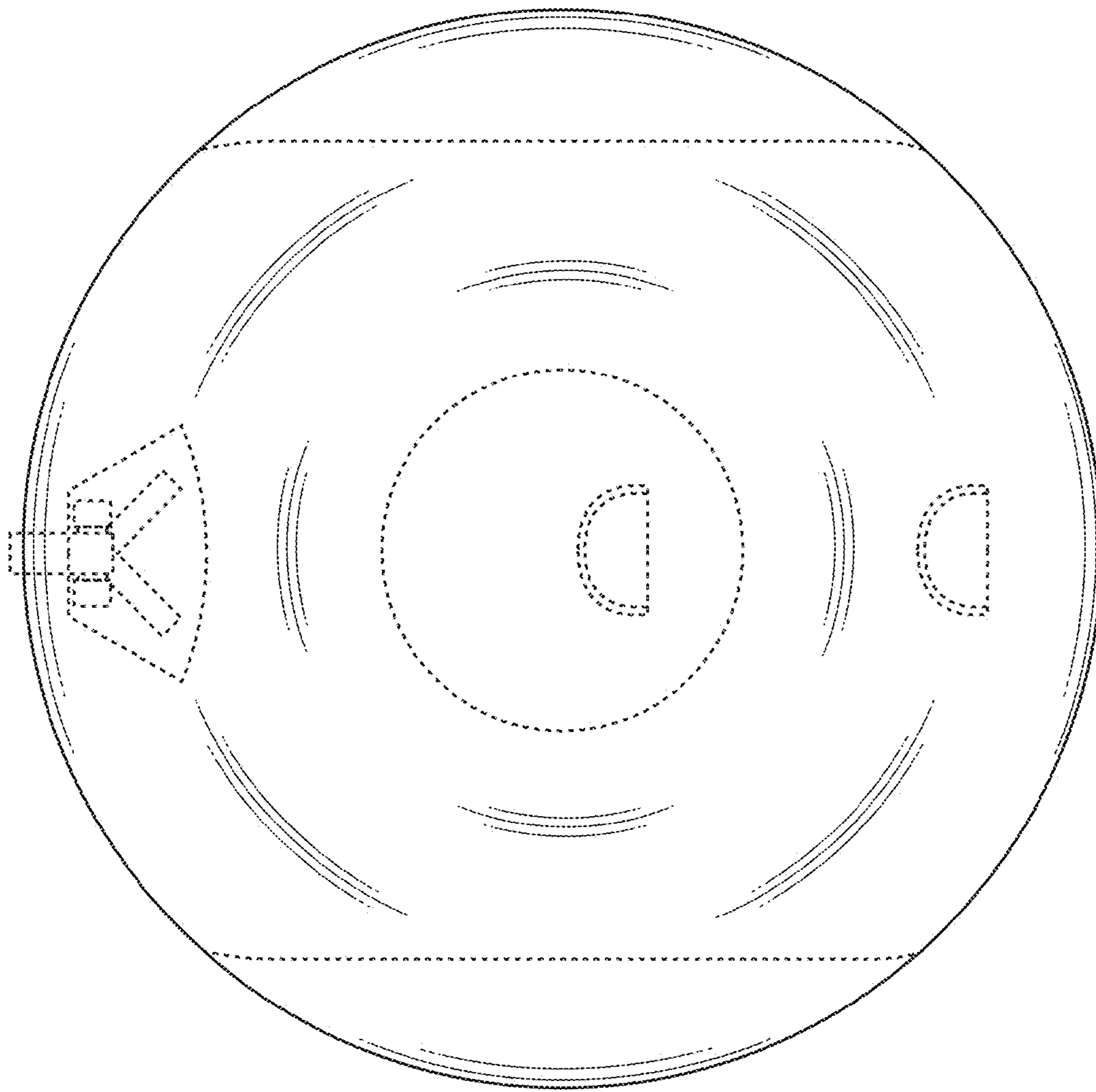


FIG. 3

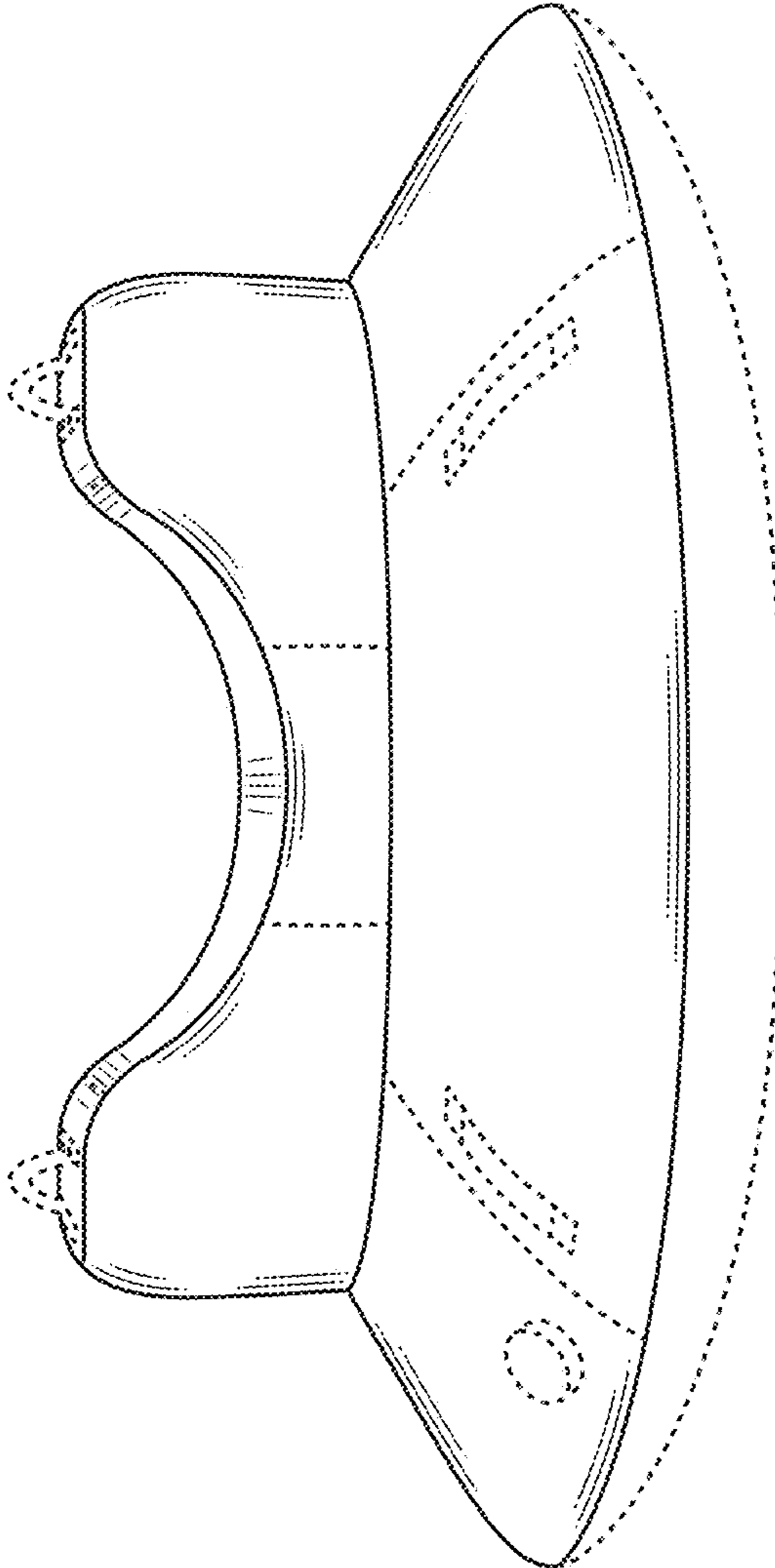


FIG.4

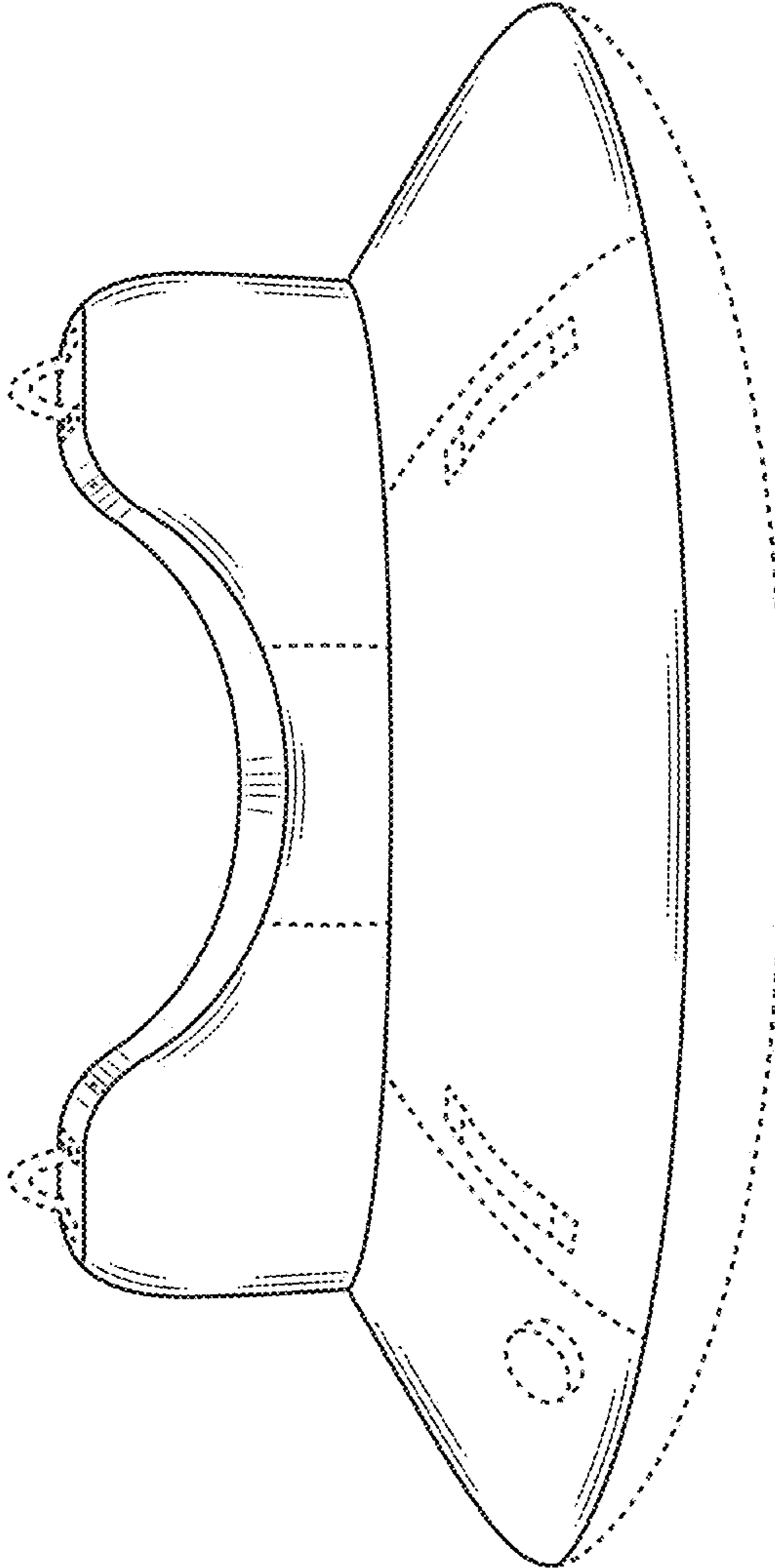


FIG. 5

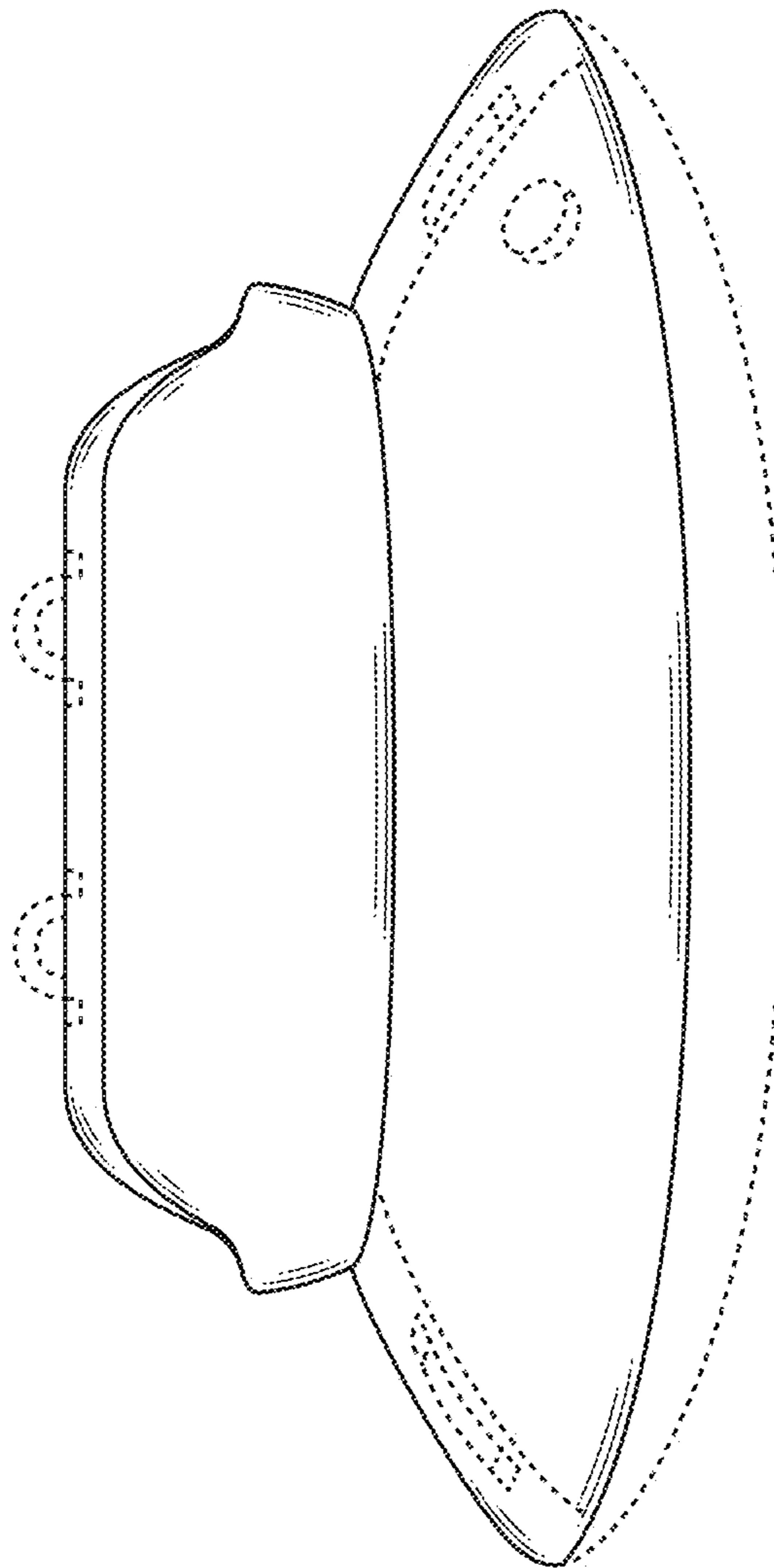


FIG.6

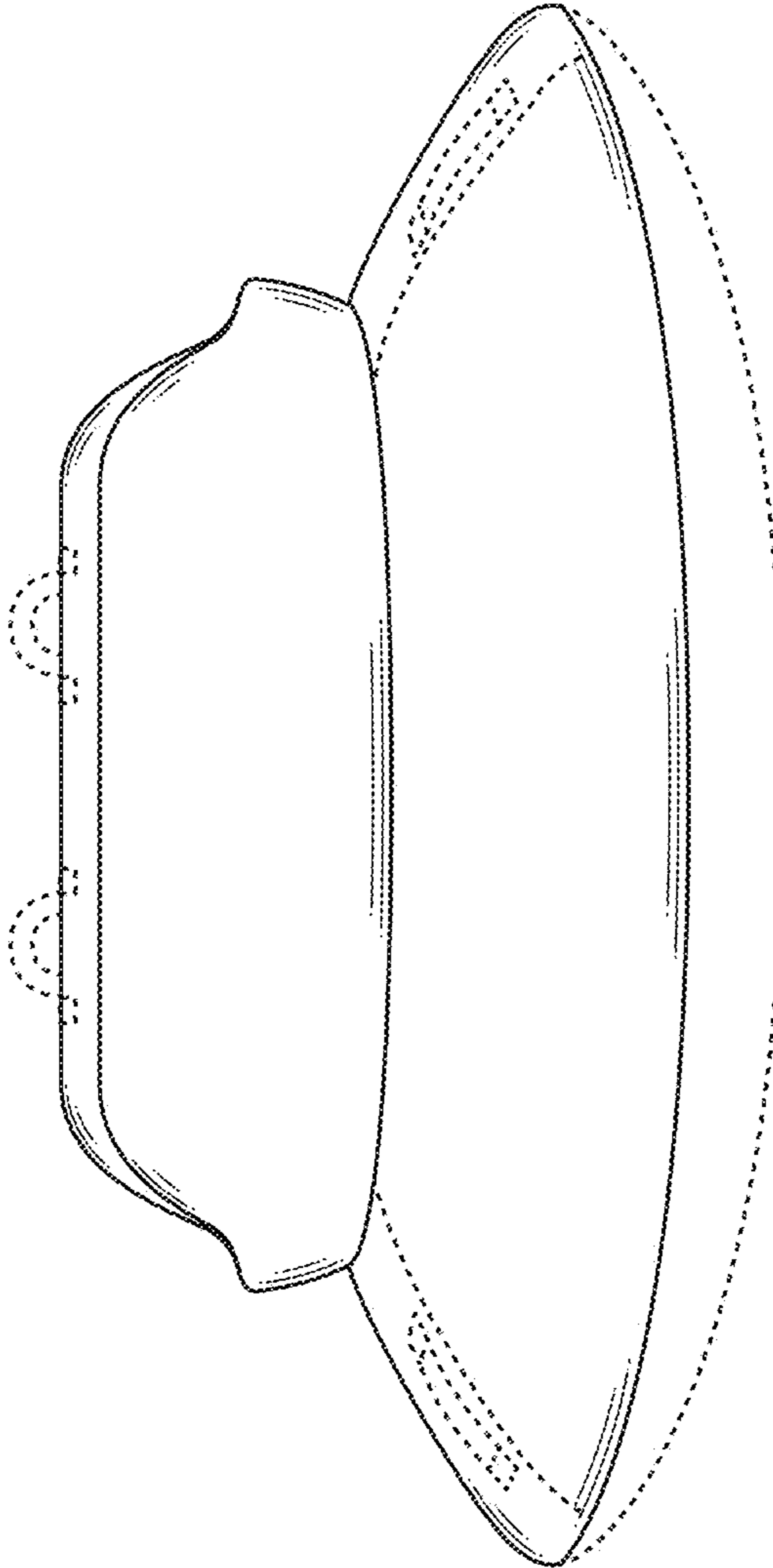


FIG. 7