



US00D888177S

(12) **United States Design Patent**
Peterson

(10) **Patent No.:** **US D888,177 S**
(45) **Date of Patent:** **** Jun. 23, 2020**

(54) **INFLATABLE TOWABLE VEHICLE**

(71) Applicant: **SDS Asia Limited, BVI #1748971,**
Hong Kong (CN)

(72) Inventor: **Leroy L. Peterson,** Omaha, NE (US)

(73) Assignee: **SDS Asia Unlimited, BVI #1748971,**
Hong Kong (CN)

(**) Term: **15 Years**

(21) Appl. No.: **29/662,520**

(22) Filed: **Sep. 6, 2018**

(51) **LOC (12) Cl.** **21-02**

(52) **U.S. Cl.**
USPC **D21/803**

(58) **Field of Classification Search**
USPC D21/769-770, 801, 803, 808, 809;
D12/5, 6, 316; D6/392, 595, 596, 601,
D6/604, 605
CPC B63B 35/00; B63B 35/001; B63B 35/58;
B63B 35/73; B63B 35/78
See application file for complete search history.

(56) **References Cited**

U.S. PATENT DOCUMENTS

D759,182 S * 6/2016 Wampold D21/808
D785,119 S * 4/2017 Hempton D21/808

D827,751 S * 9/2018 Ligeri D21/808
D836,741 S * 12/2018 Denney, Jr. D21/808
D842,413 S * 3/2019 Ligeri D21/808
D846,679 S * 4/2019 Ligeri D21/808

* cited by examiner

Primary Examiner — Zenia I Bennett

(74) *Attorney, Agent, or Firm* — Suiter Swantz pc llo

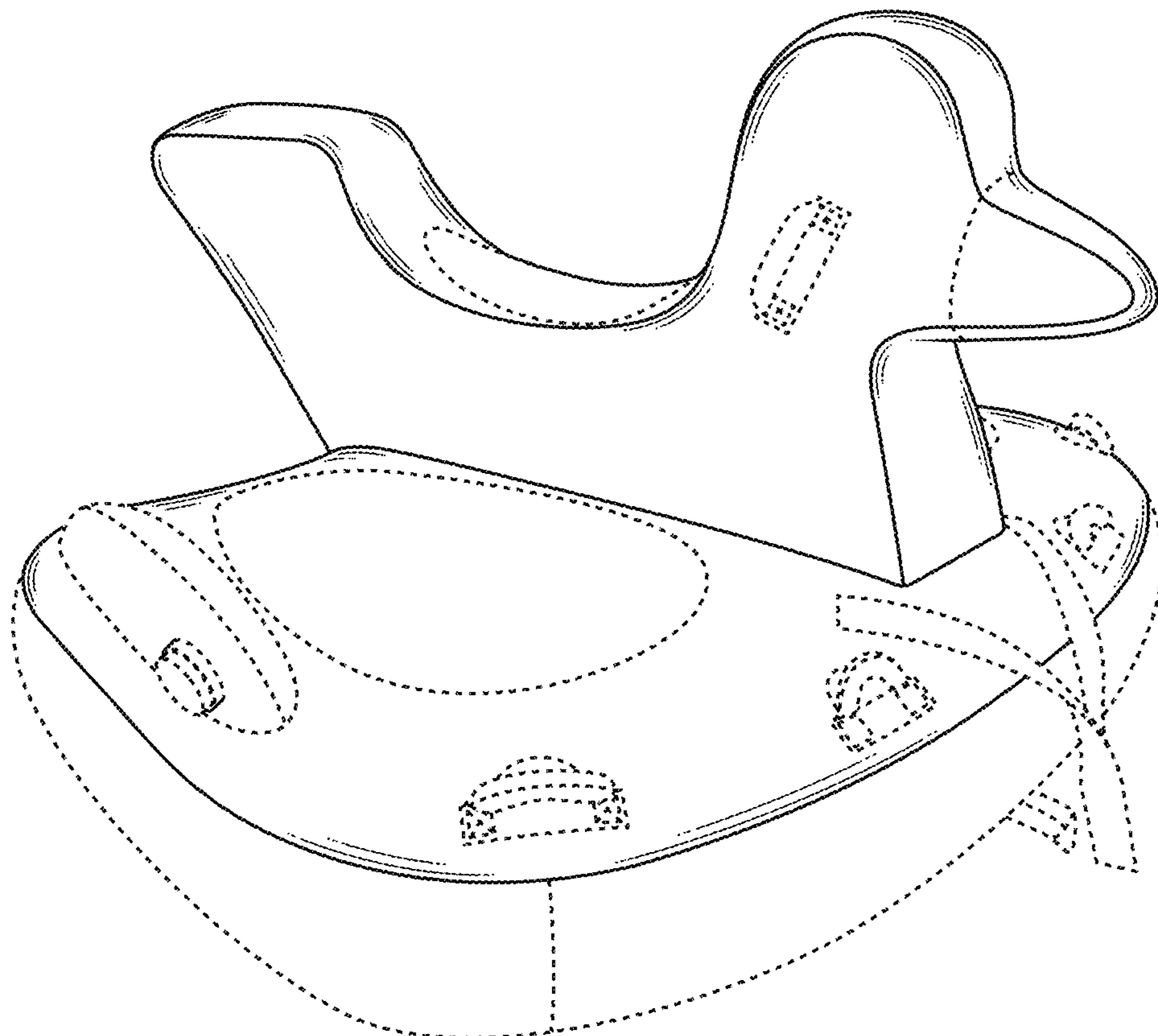
(57) **CLAIM**

The ornamental design for an inflatable towable vehicle, as shown and described.

DESCRIPTION

FIG. 1 is a perspective view showing our new design;
FIG. 2 is a top plan view thereof;
FIG. 3 is a bottom plan view thereof;
FIG. 4 is a front elevation view thereof;
FIG. 5 is a rear elevation view thereof;
FIG. 6 is a right side elevation view thereof; and,
FIG. 7 is a left side elevation view thereof.
The broken lines showing stitching, a bottom portion, side lobes, valves, straps, and handles of FIGS. 1-7 form no part of the claimed design.

1 Claim, 7 Drawing Sheets



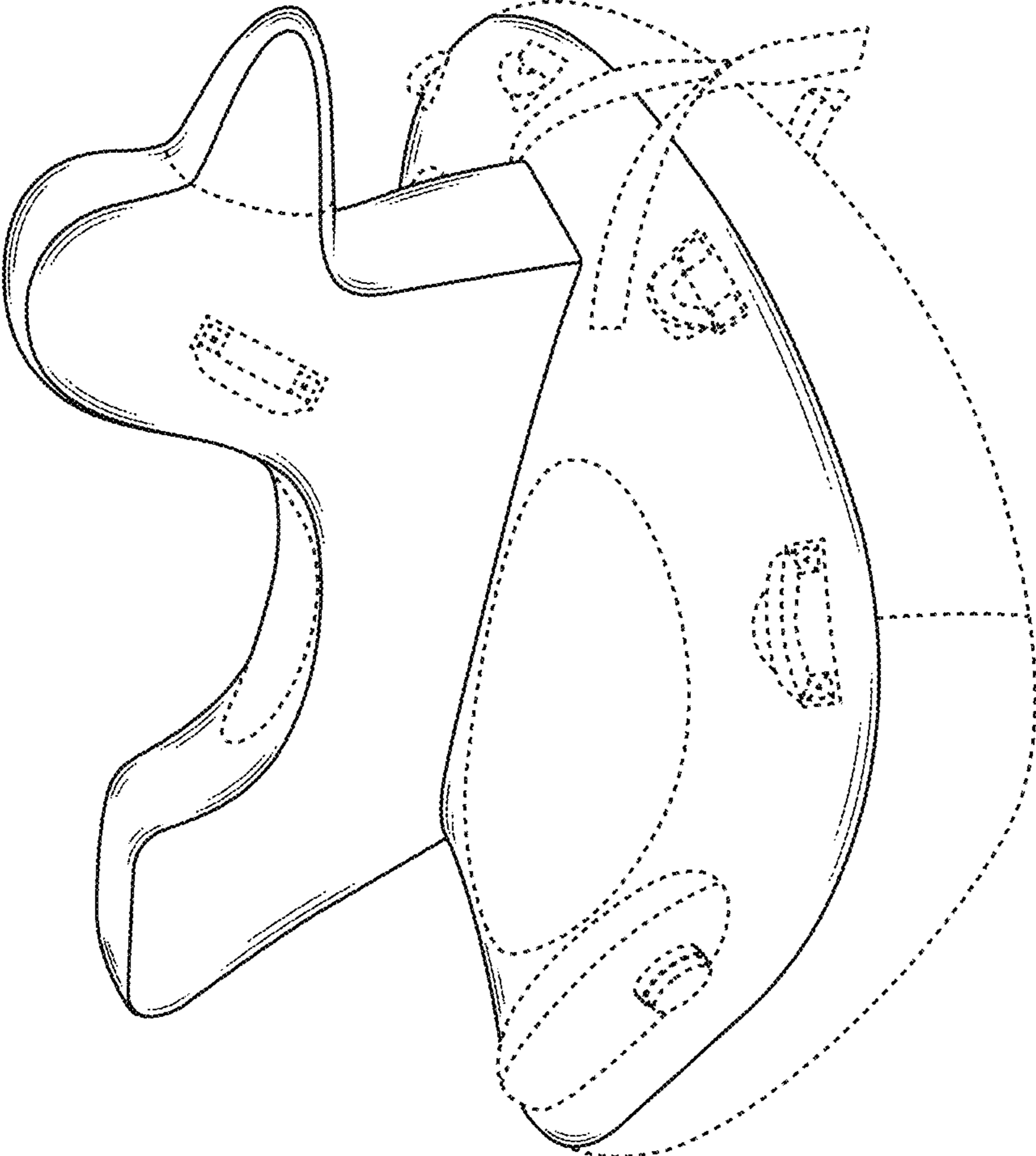


FIG.1

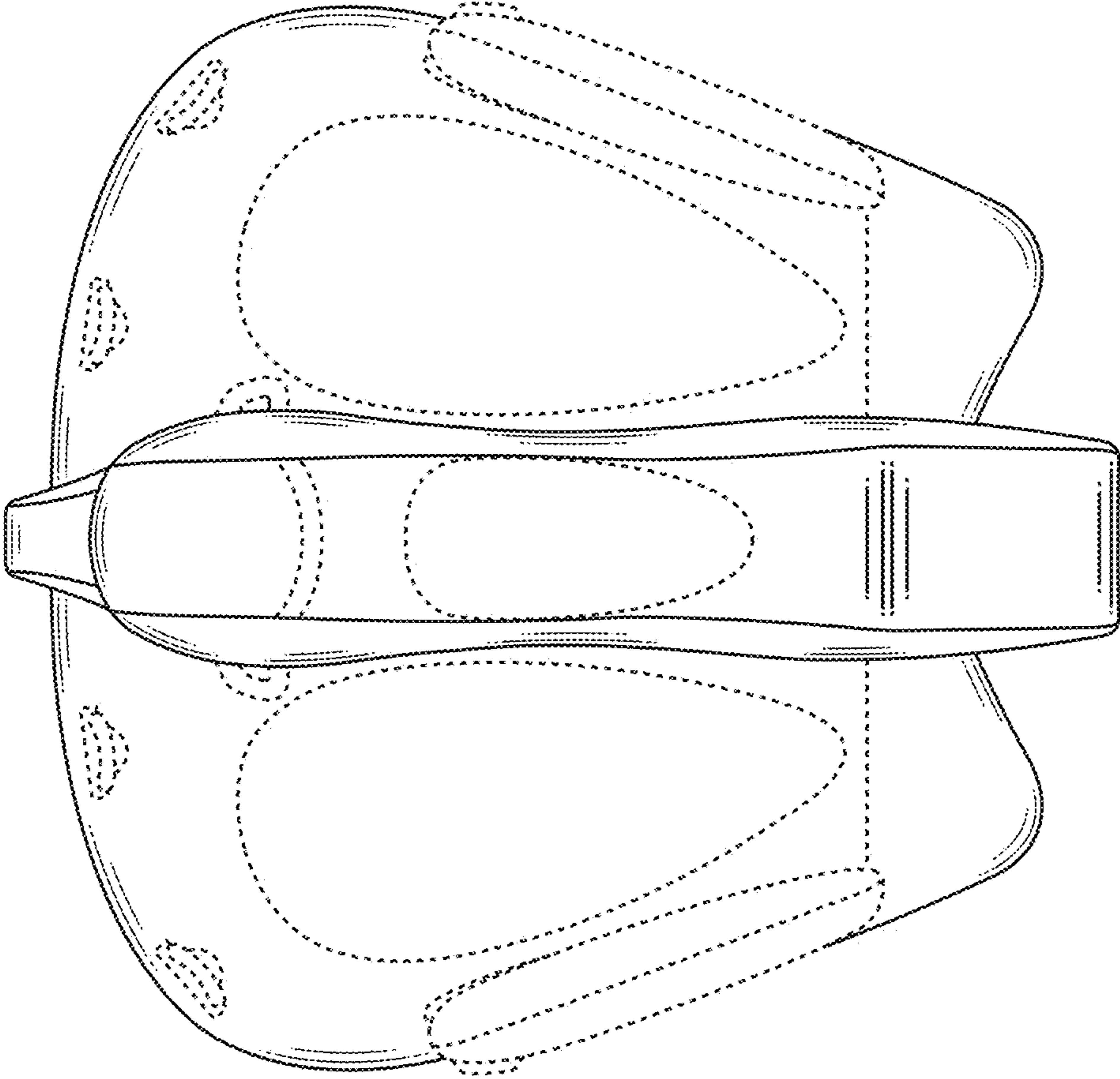


FIG.2

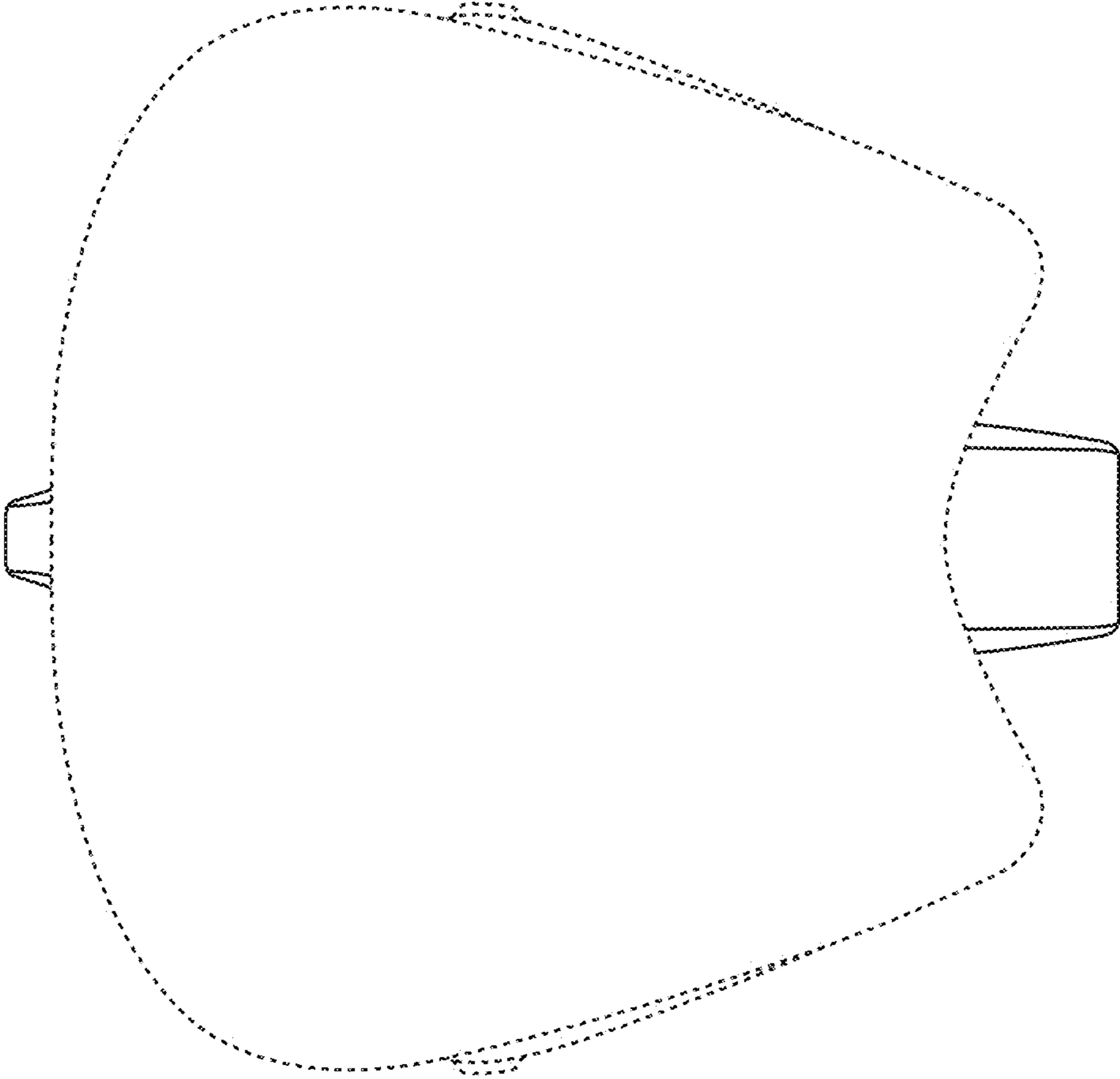


FIG.3

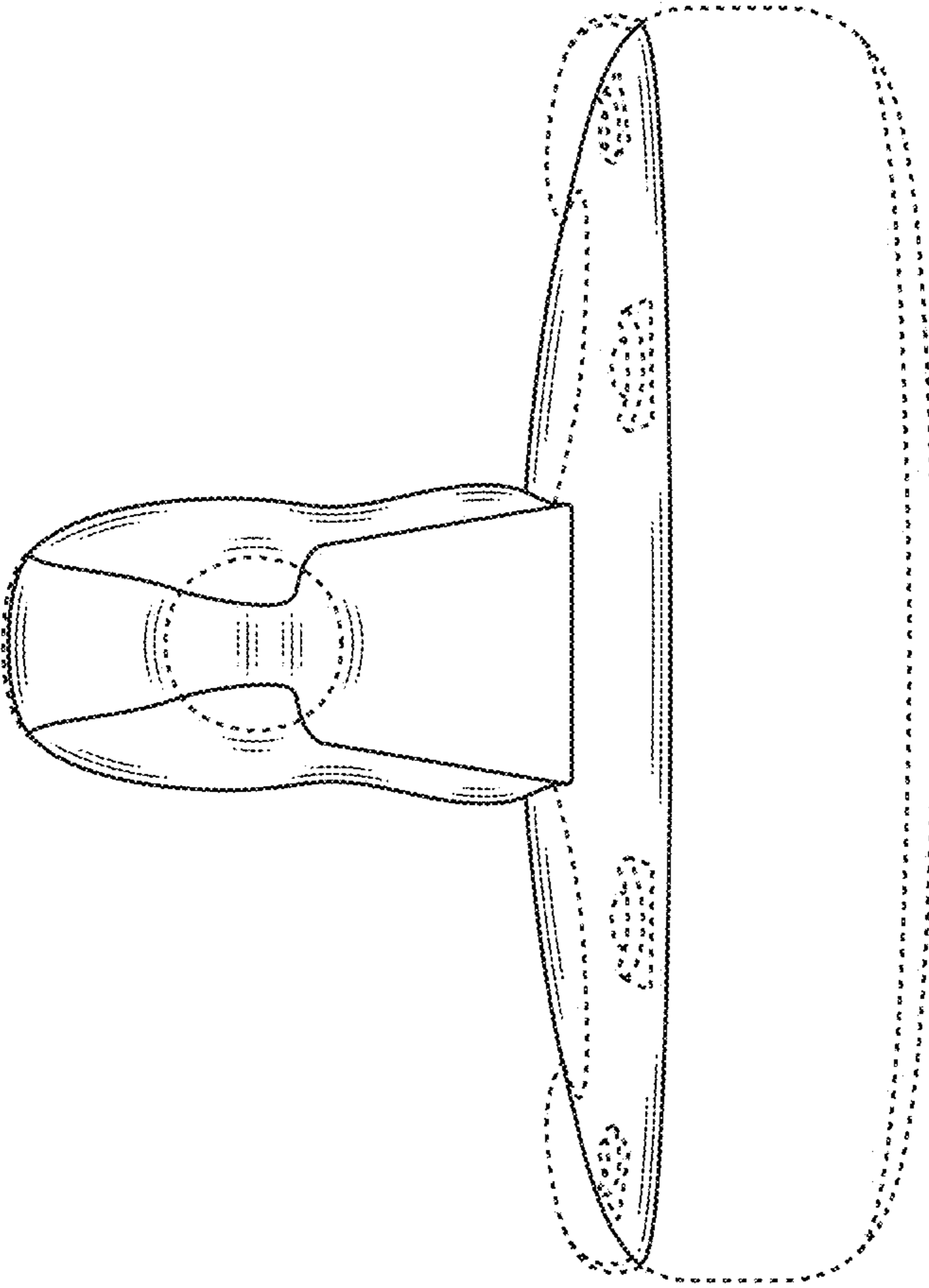


FIG.4

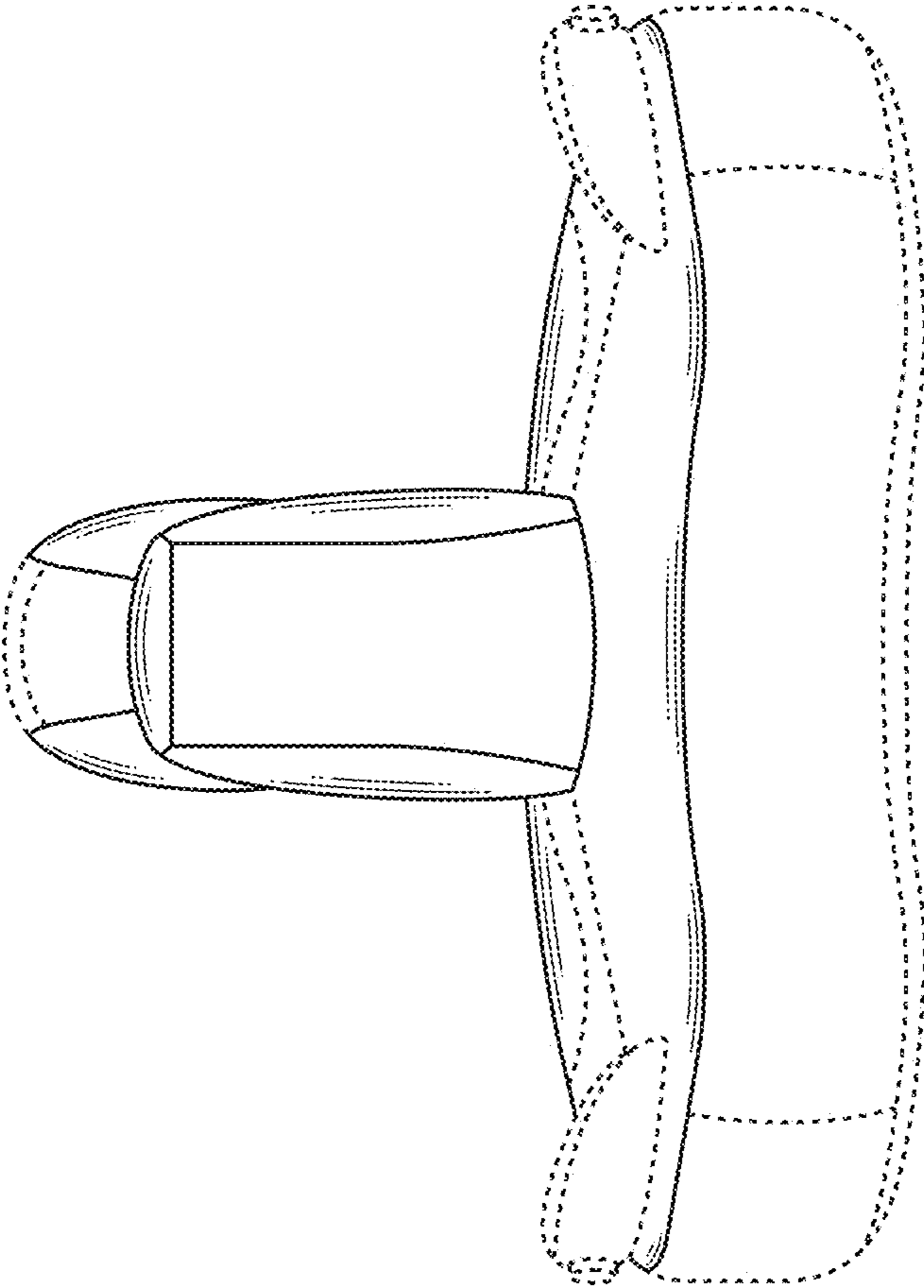


FIG. 5

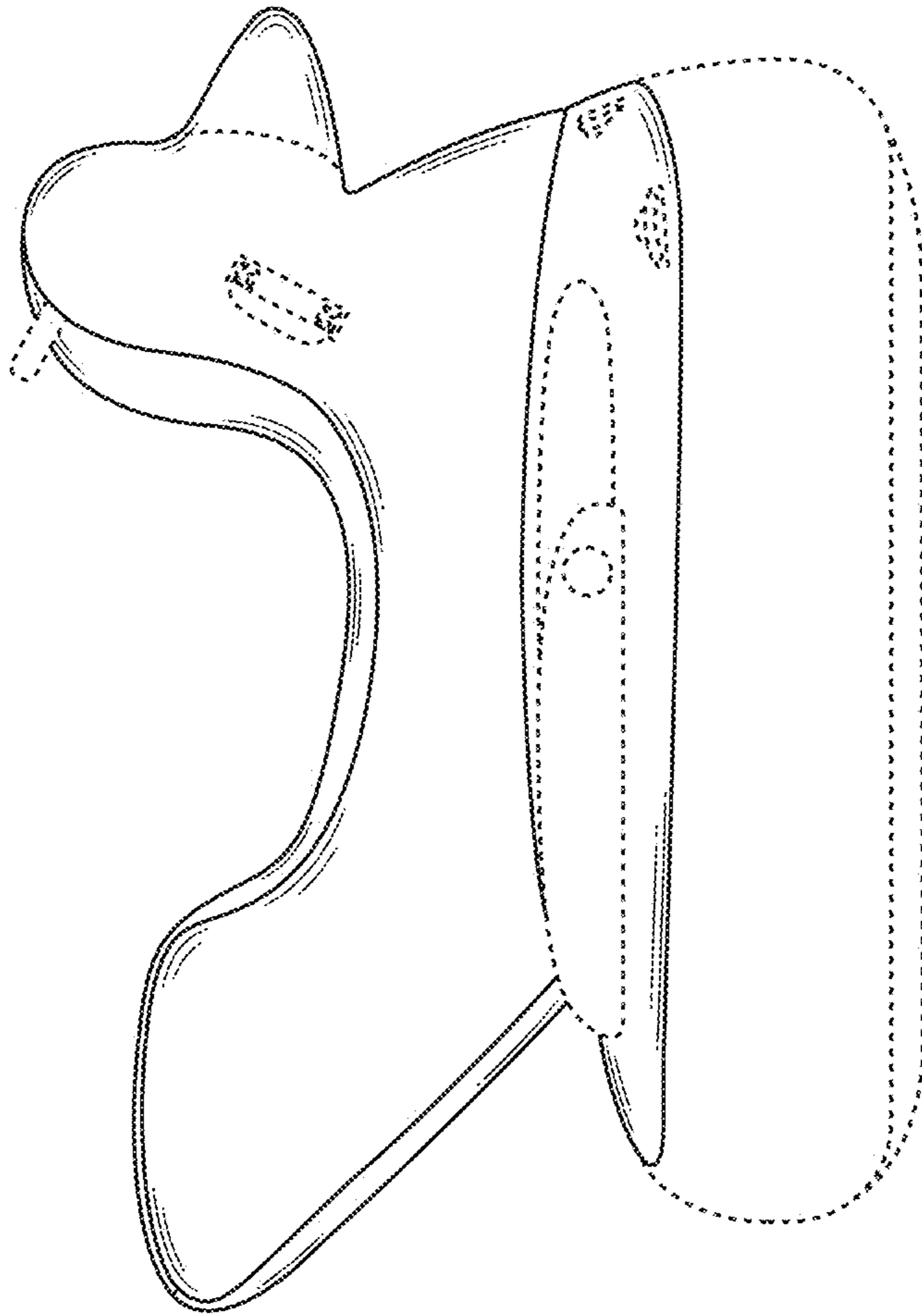


FIG. 6

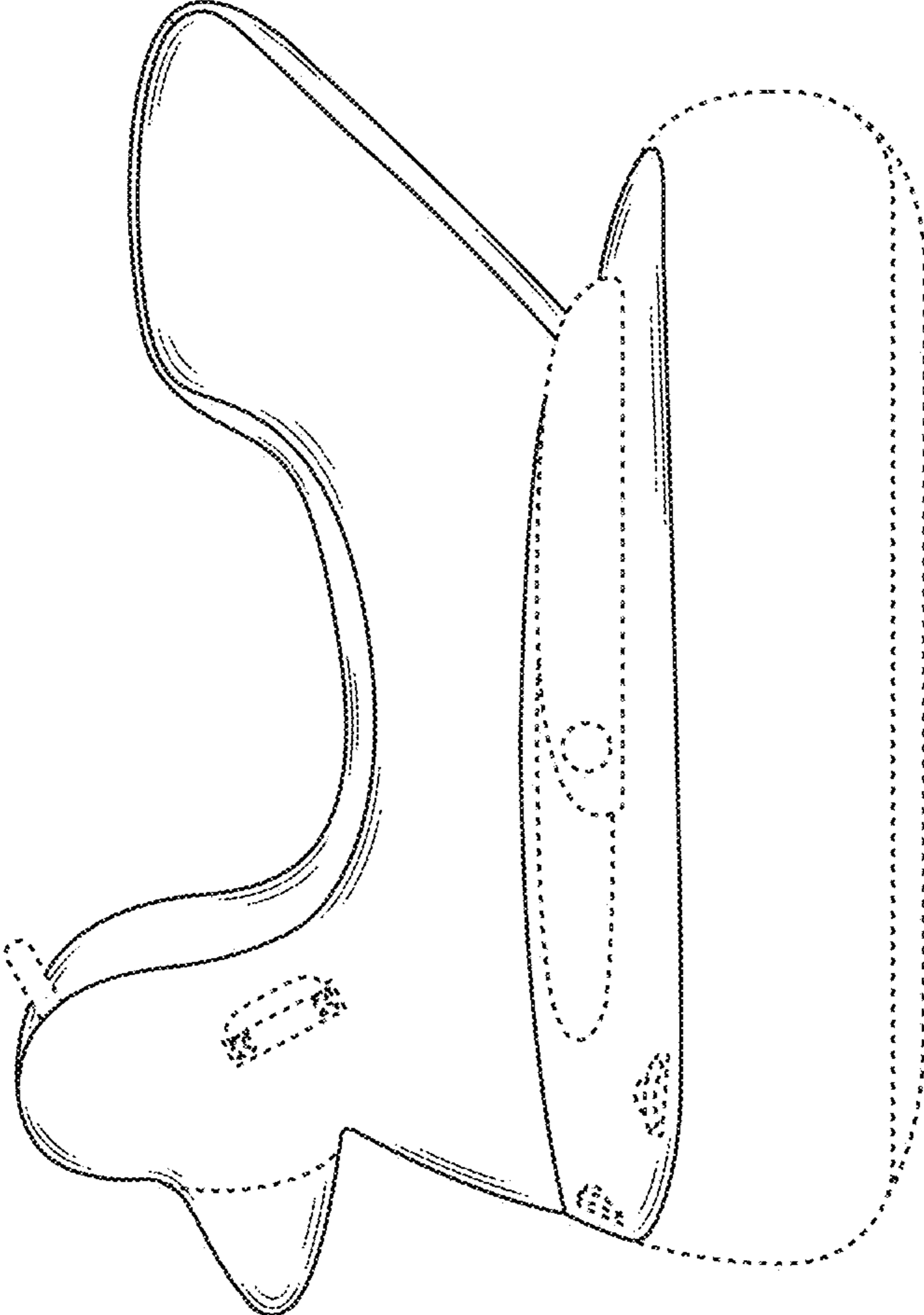


FIG. 7