



US00D888170S

(12) **United States Design Patent** (10) **Patent No.:** **US D888,170 S**
Fu (45) **Date of Patent:** **** Jun. 23, 2020**

(54) **EXERCISE DEVICE**
(71) Applicant: **Yanping Fu**, Yongkang (CN)
(72) Inventor: **Yanping Fu**, Yongkang (CN)
(**) Term: **15 Years**
(21) Appl. No.: **29/666,941**

7,749,144 B2 * 7/2010 Hammer A63B 21/0552
482/121
D641,434 S * 7/2011 Khubani D21/676
8,052,583 B1 * 11/2011 Tsai A63B 21/4047
D21/662

(Continued)

(22) Filed: **Oct. 17, 2018**
(51) **LOC (12) Cl.** **21-02**
(52) **U.S. Cl.**
USPC **D21/690**
(58) **Field of Classification Search**
USPC D21/662, 667, 668, 670, 673, 674, 676,
D21/697, 686, 687, 689, 690, 694;
482/51, 72, 92, 110, 111, 124, 129, 140,
482/142, 146
CPC A63B 21/0004; A63B 21/00043; A63B
21/00047; A63B 22/0076; A63B 24/00;
A63B 23/03575

See application file for complete search history.

(56) **References Cited**

U.S. PATENT DOCUMENTS

D339,617 S *	9/1993	Harashima	D21/690
D379,483 S *	5/1997	England	D21/676
D392,701 S *	3/1998	Piaget	D21/670
D394,482 S *	5/1998	Colonello	D21/673
D408,874 S *	4/1999	Kuo	D21/668
D432,600 S *	10/2000	Szabo	D21/662
D458,977 S *	6/2002	Tobias	D21/668
D476,384 S *	6/2003	Perez	D21/690
D478,137 S *	8/2003	Ho	D21/690
6,626,808 B1 *	9/2003	Adams	A63B 21/0004 482/111
D496,701 S *	9/2004	Chung	D21/662
D525,324 S *	7/2006	Siwec	D21/674
D541,893 S *	5/2007	Webber	D21/690
D565,134 S *	3/2008	Brown	D21/694
D567,309 S *	4/2008	Schuurman	D21/662
D567,312 S *	4/2008	Tsai	D21/662
D584,367 S *	1/2009	Augustine	D21/662

OTHER PUBLICATIONS

Amazon, "Coaster Exercise Machine", Aug. 22, 2019. https://www.amazon.com/Semper-Abdominal-Coaster-Exercise-Machine/dp/B07YJLG7KQ/ref=sr_1_4?crd=34OICCTG815YP&dchild=1&keywords=abdominal+coaster+trainer+abdomen+abdominal+machine+fitness+equipment&psc=1&qid=1572884932&srefix=abdominal+coaster%20. (Year: 2019).*

Primary Examiner — Cynthia Ramirez
Assistant Examiner — Michael A Maharajh

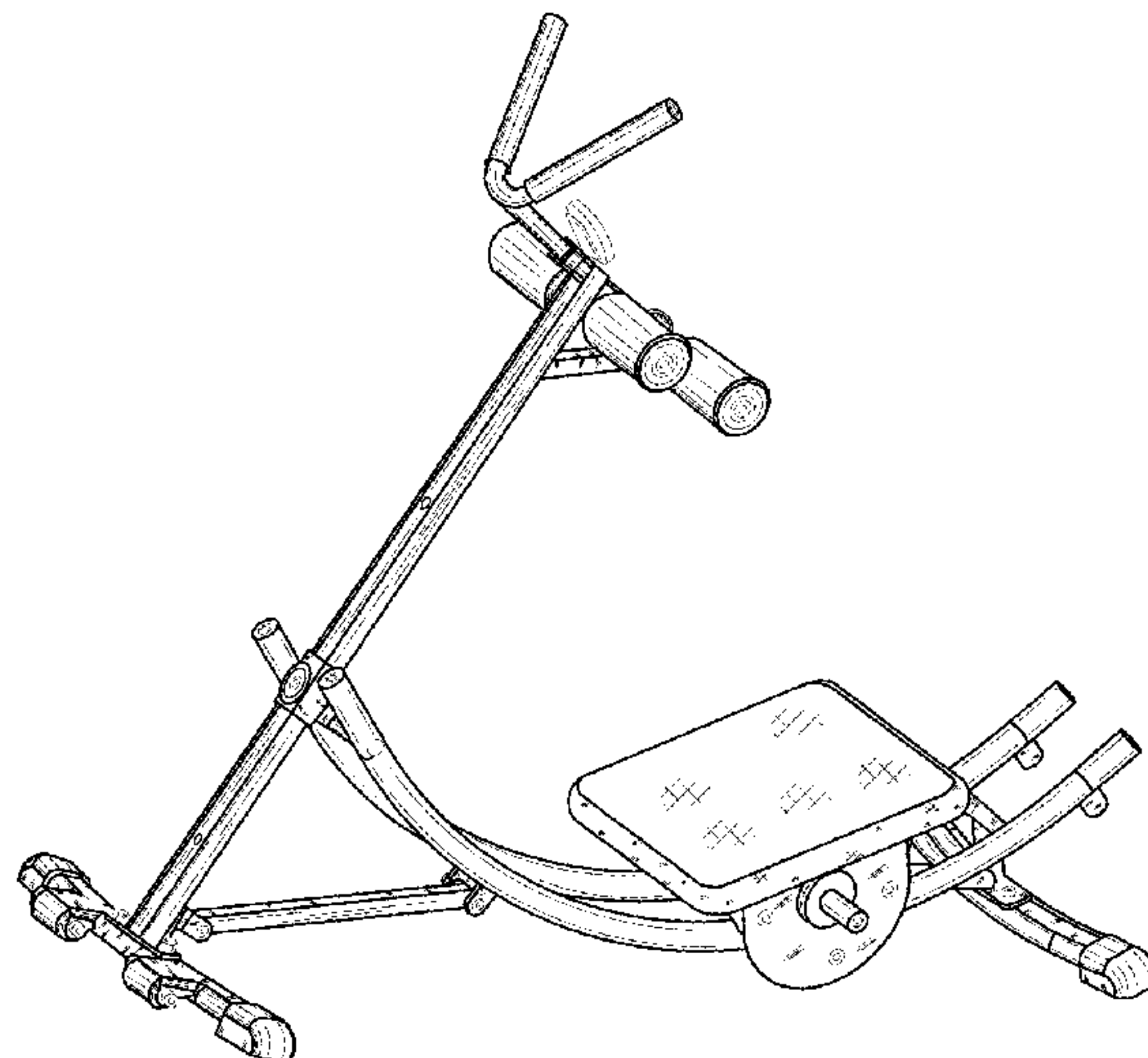
(57) **CLAIM**

The ornamental design for an exercise device, as shown and described.

DESCRIPTION

FIG. 1 is a perspective view of the exercise device;
FIG. 2 is a side view of the design of exercise device as shown in FIG. 1;
FIG. 3 is a front elevation view of the design of exercise device as shown in FIG. 1;
FIG. 4 is a rear elevation view of the design of exercise device as shown in FIG. 1;
FIG. 5 is a top perspective view of the design of exercise device as shown in FIG. 1;
FIG. 6 is a side perspective view of the design of exercise device as shown in FIG. 1;
FIG. 7 is a perspective of exercise device in collapsed form as shown in FIG. 1; and,
FIG. 8 is a use condition of exercise device as shown in FIG. 1.
The broken line shown in FIG. 8 are for the purpose of illustrating environmental structure, which form no part of the claimed design.

1 Claim, 8 Drawing Sheets



(56)

References Cited

U.S. PATENT DOCUMENTS

D659,777	S *	5/2012	Watterson	D21/689
D671,177	S *	11/2012	Sip	D21/689
D671,178	S *	11/2012	Sip	D21/689
D730,457	S *	5/2015	Ho	D21/687
D732,119	S *	6/2015	Ho	D21/687
D741,421	S *	10/2015	Ho	D21/687
D743,494	S *	11/2015	Ho	D21/687
D776,768	S *	1/2017	Ho	D21/687
D839,366	S *	1/2019	Piksa	D21/687
D856,442	S *	8/2019	Haquet	D21/662
2003/0130100	A1 *	7/2003	Perez	A63B 21/068 482/140
2005/0079957	A1 *	4/2005	Bowman	A63B 23/0222 482/51
2005/0187084	A1 *	8/2005	Tornabene	A63B 21/068 482/140
2007/0287619	A1 *	12/2007	Tuller	A63B 21/055 482/140
2010/0179034	A1 *	7/2010	Wang	A63B 22/001 482/110
2011/0183826	A1 *	7/2011	Summers	A63B 21/02 482/140

* cited by examiner

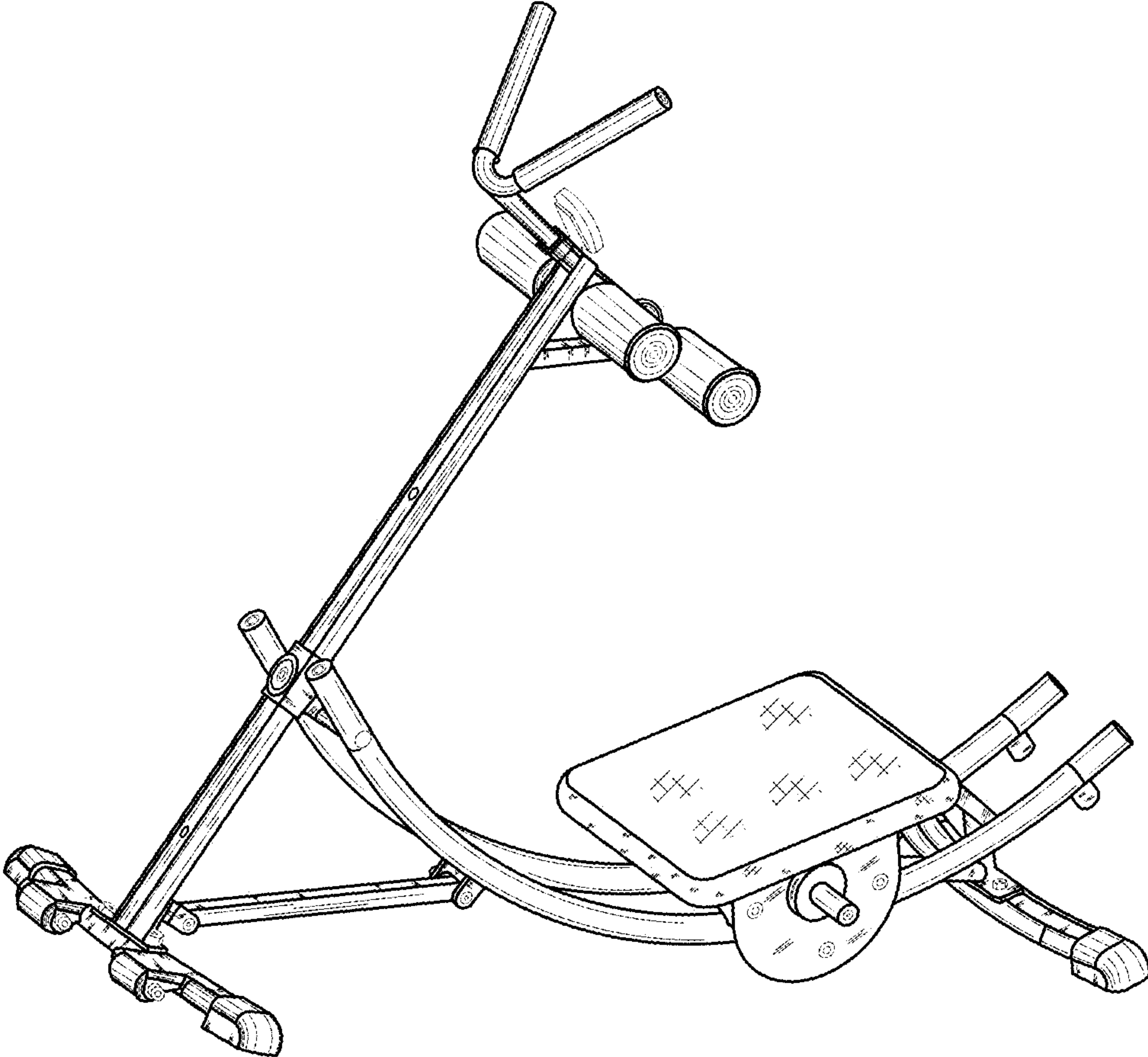


FIG. 1

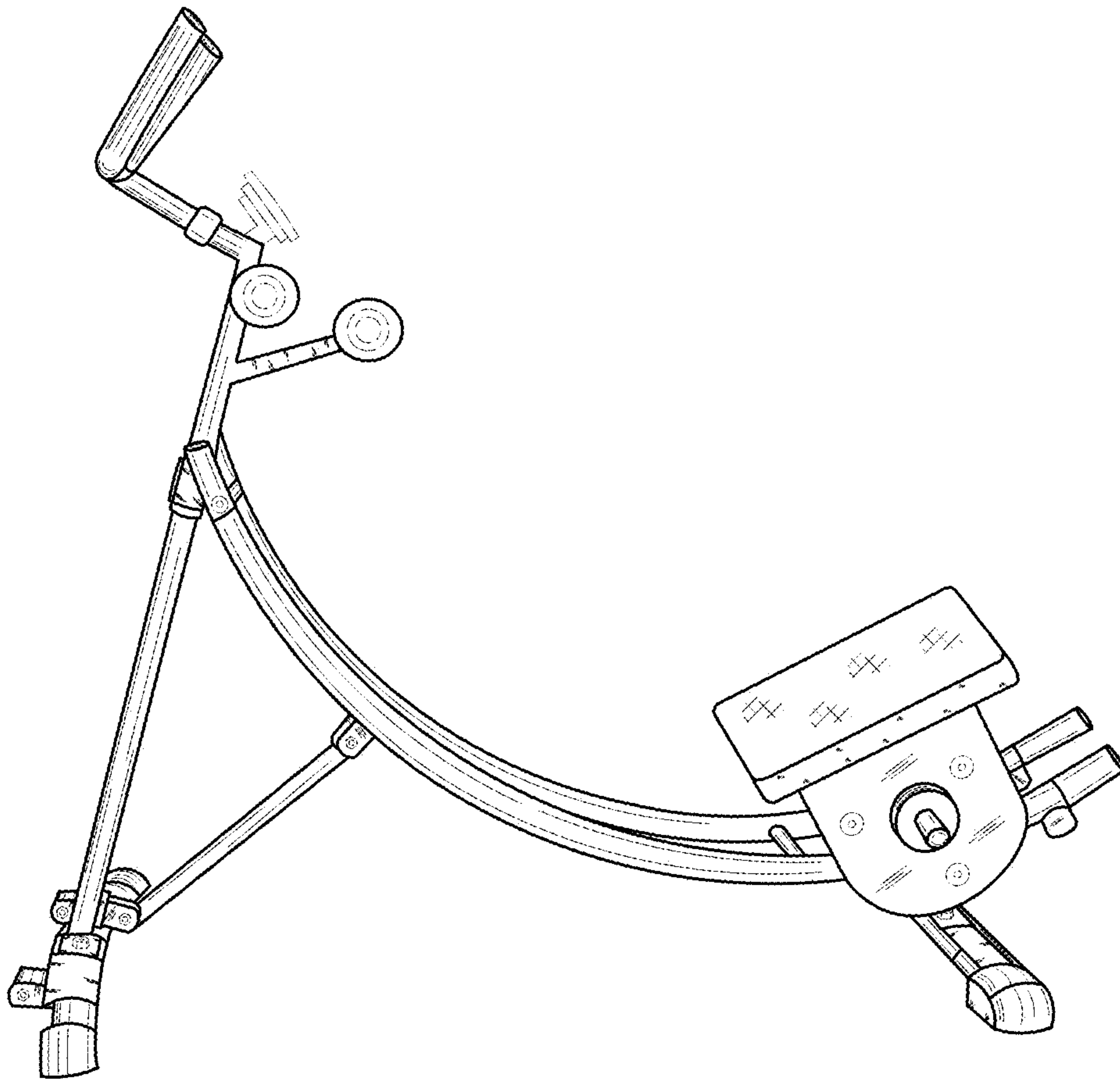


FIG. 2

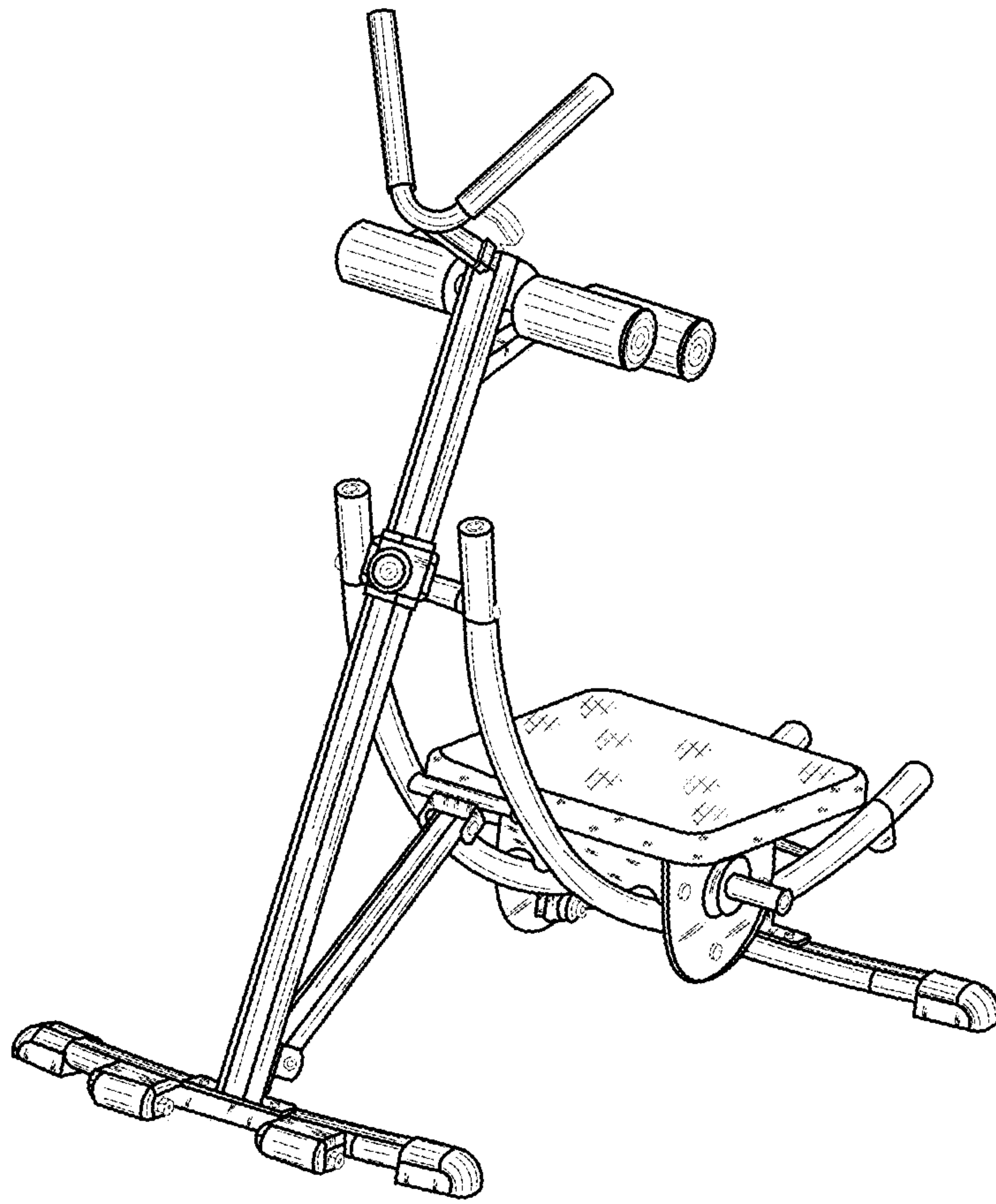


FIG. 3

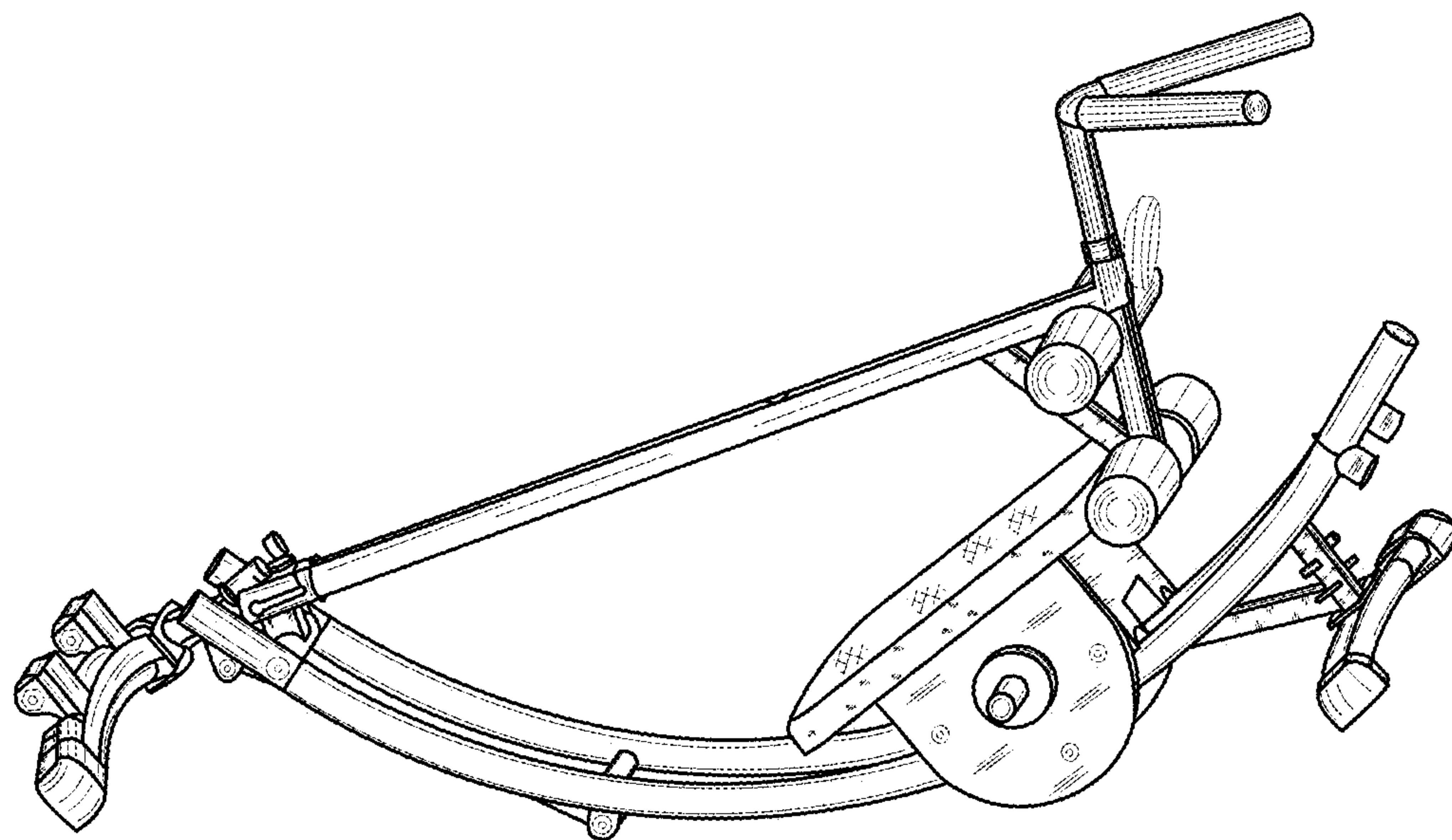


FIG. 4

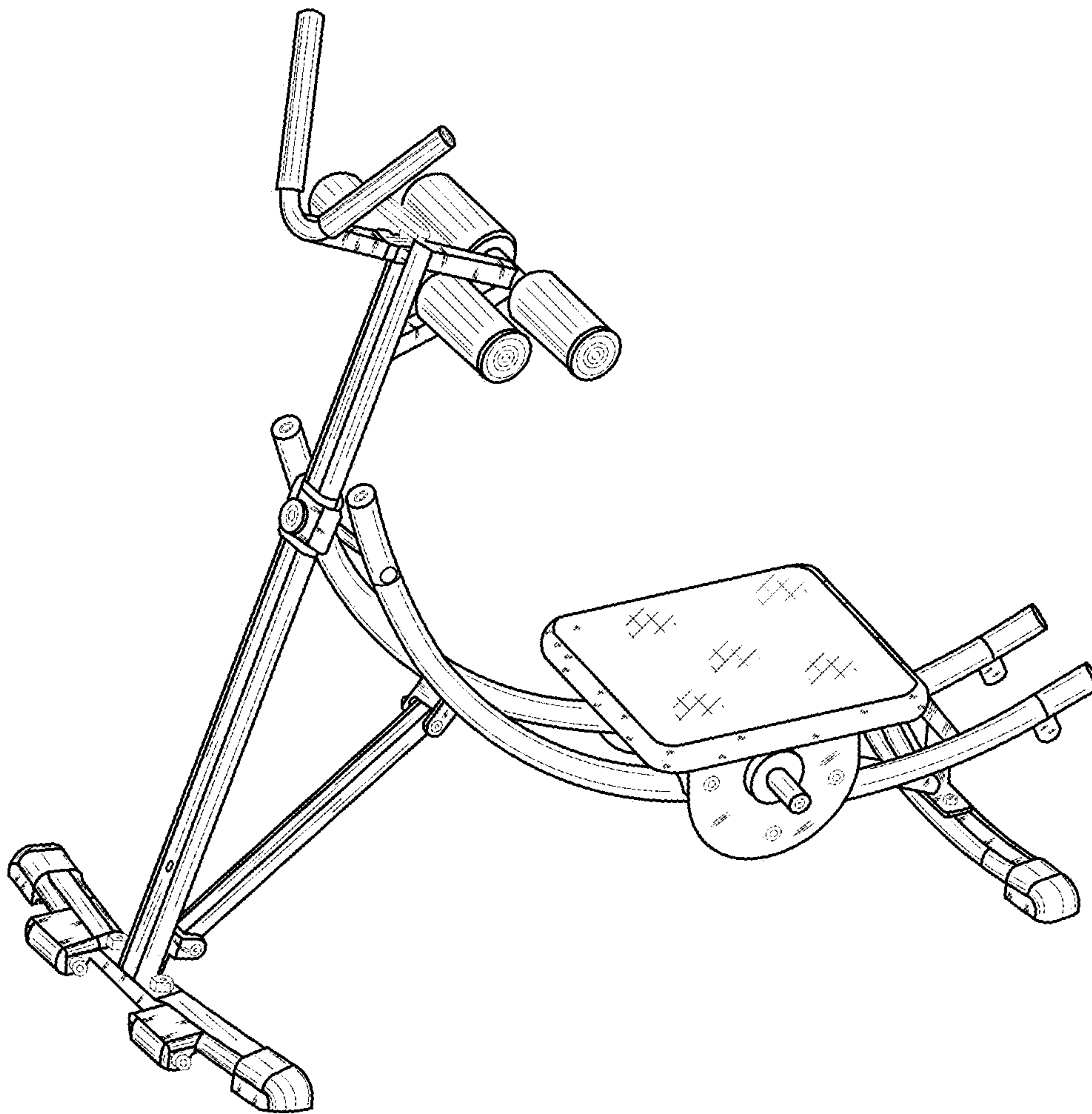


FIG. 5

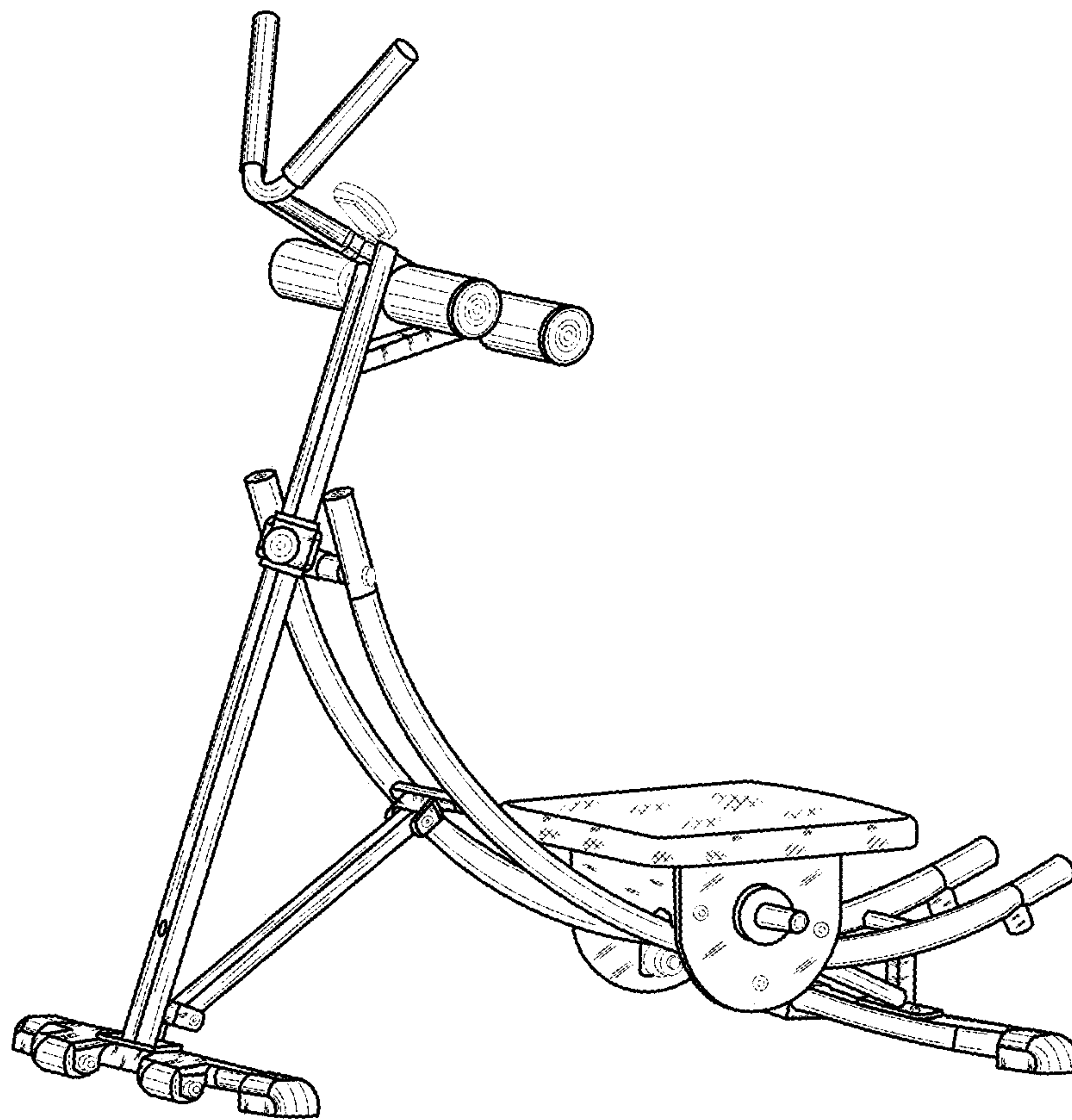


FIG. 6

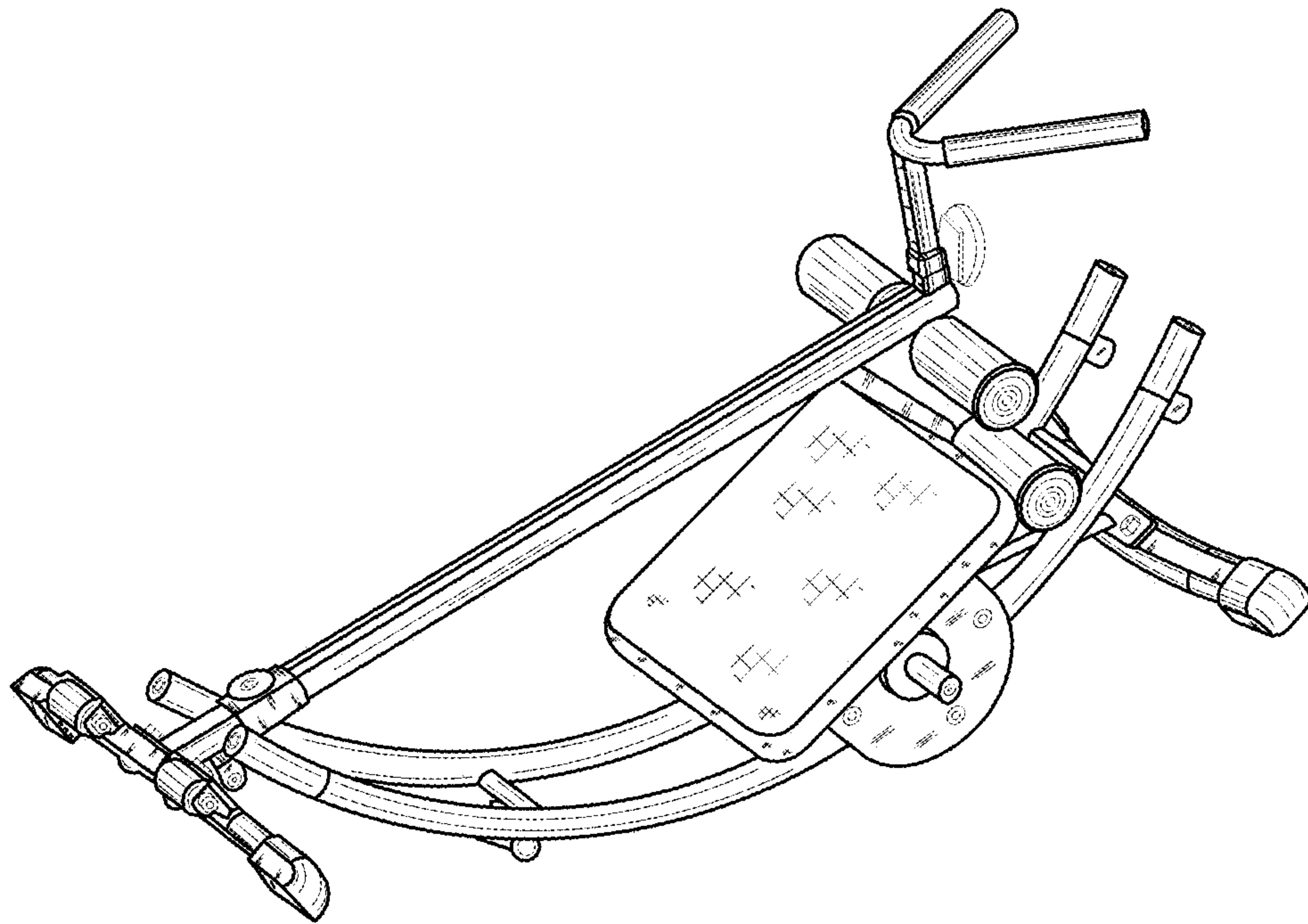


FIG. 7

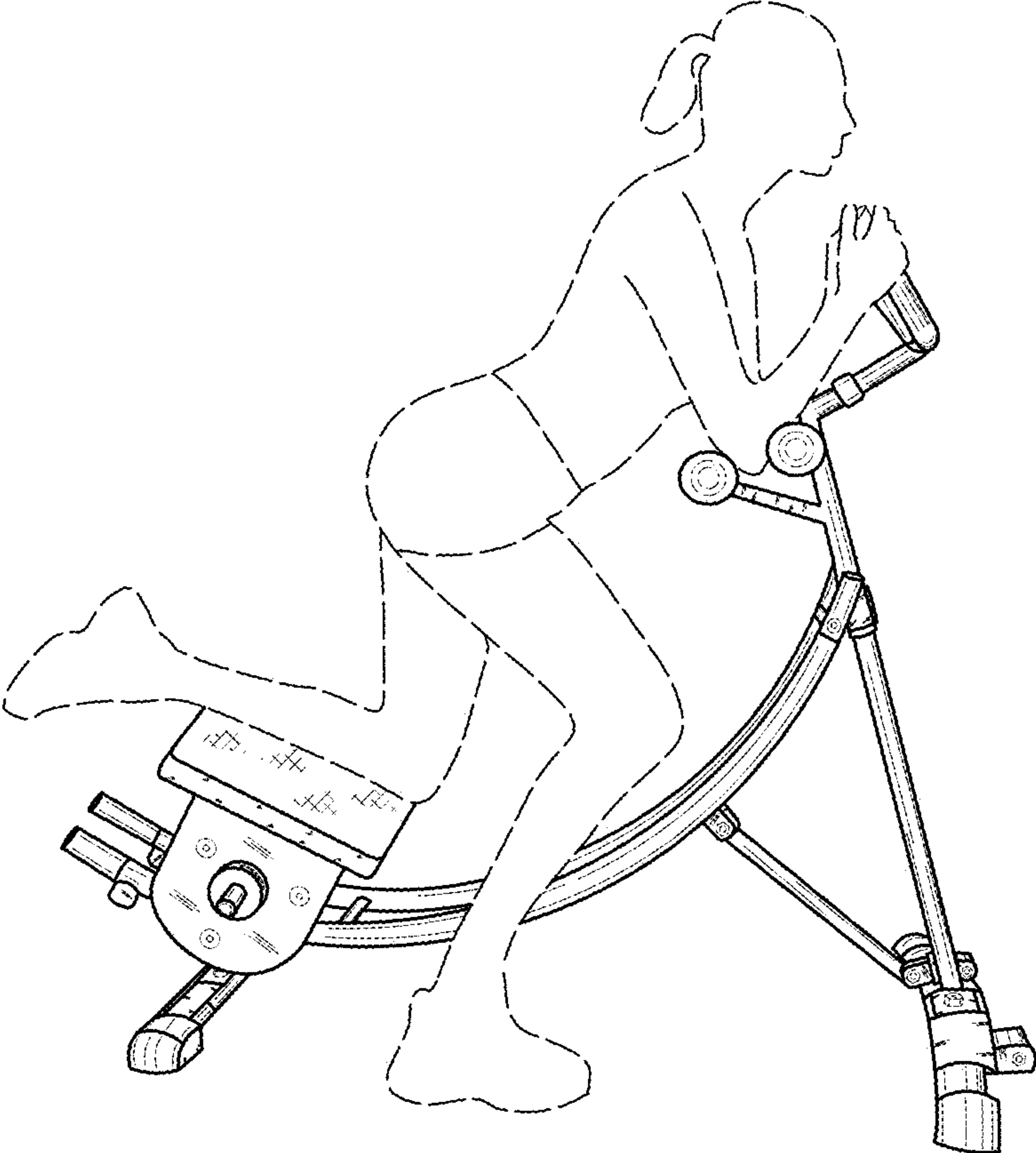


FIG. 8