



US00D888167S

(12) **United States Design Patent**  
**Kislevitz et al.**

(10) **Patent No.:** **US D888,167 S**  
(45) **Date of Patent:** **\*\* Jun. 23, 2020**

- (54) **WEIGHTED EXERCISE BAND**
- (71) Applicants: **Natalie Kislevitz**, Brooklyn, NY (US);  
**Maximilian Kislevitz**, Brooklyn, NY (US)
- (72) Inventors: **Natalie Kislevitz**, Brooklyn, NY (US);  
**Maximilian Kislevitz**, Brooklyn, NY (US)
- (\*\*) Term: **15 Years**
- (21) Appl. No.: **29/641,509**
- (22) Filed: **Mar. 22, 2018**
- (51) **LOC (12) Cl.** ..... **21-02**
- (52) **U.S. Cl.**  
USPC ..... **D21/683**
- (58) **Field of Classification Search**  
USPC ..... D21/662, 677, 682, 683, 684, 686, 694;  
D24/190  
CPC ..... A63B 23/16; A63B 23/14; A63B 21/4021;  
A63B 21/4019; A63B 21/4013; A63B 71/141; A63B 21/065; A63B 2209/10  
See application file for complete search history.

(56) **References Cited**

**U.S. PATENT DOCUMENTS**

- 3,366,380 A \* 1/1968 Nelles ..... A63B 21/065  
482/105
- 3,528,652 A \* 9/1970 Tarbox ..... A63B 21/065  
482/105
- 3,924,851 A \* 12/1975 Winston ..... A63B 21/065  
482/105
- 4,239,211 A \* 12/1980 Wilkerson ..... A63B 21/065  
156/301
- D296,930 S \* 7/1988 Carabelli ..... D24/190
- D297,343 S \* 8/1988 Winston ..... D21/683
- D297,658 S \* 9/1988 Winston ..... D2/969
- 4,838,546 A \* 6/1989 Winston ..... A63B 21/065  
482/105

- 4,997,183 A \* 3/1991 Winston ..... A63B 21/065  
482/105
- D339,838 S \* 9/1993 Winston ..... D21/683
- 5,667,466 A \* 9/1997 Riley, Jr. .... A63B 21/065  
482/105

(Continued)

**OTHER PUBLICATIONS**

Search in Google Image [Date Search Jan. 30, 2020] URL><https://www.kickstarter.com/projects/227755300/bala-bangles-the-worlds-first-yoga-weight> (Year: 2017).\*

*Primary Examiner* — Shannon W Morgan  
*Assistant Examiner* — Keith Frank  
(74) *Attorney, Agent, or Firm* — Tuly Rinckey PLLC;  
Steven M. Hoffberg

(57) **CLAIM**

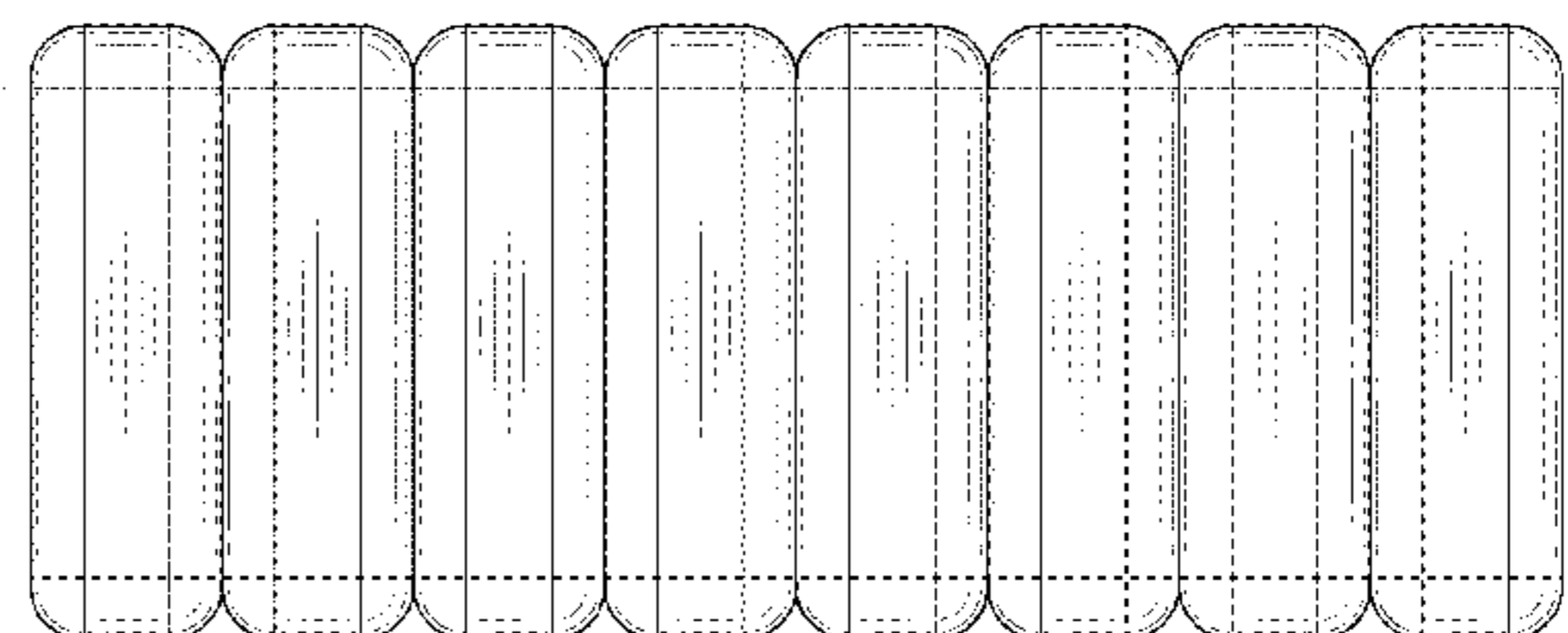
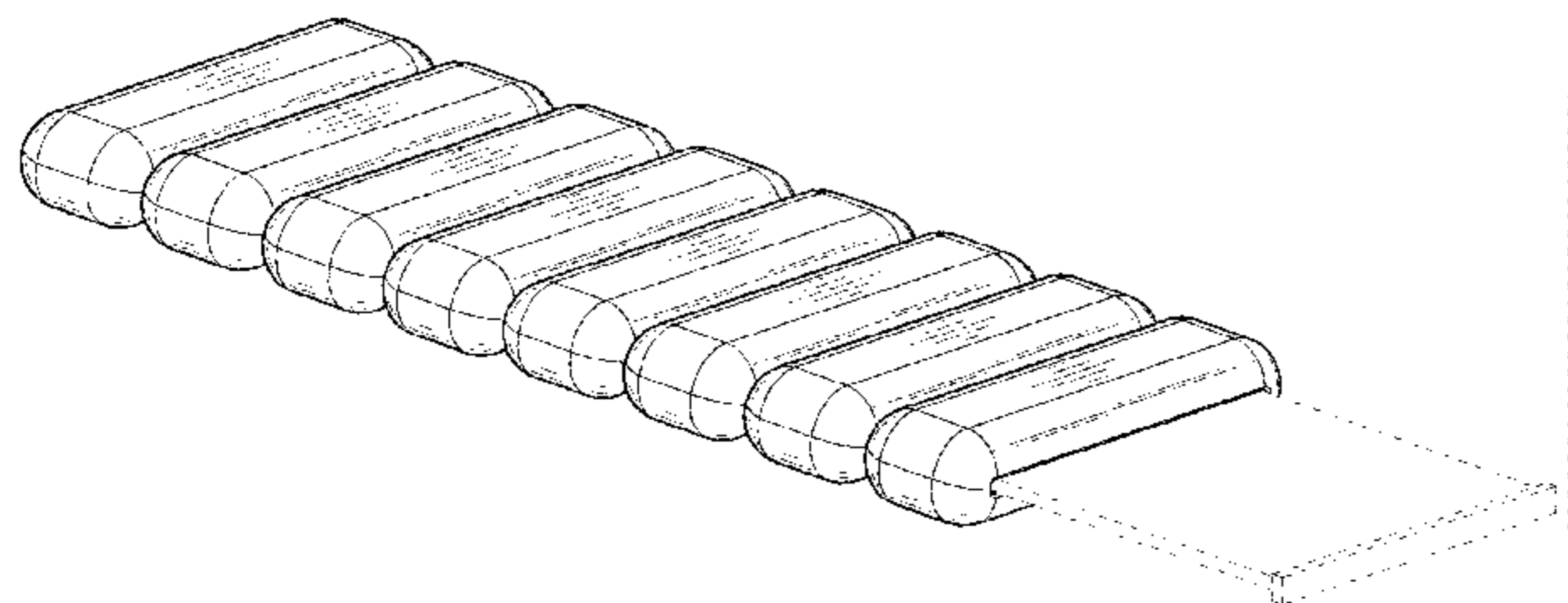
The ornamental design for a weighted exercise band, as shown and described.

**DESCRIPTION**

FIG. 1 shows a top-side perspective view of the weighted exercise band;  
FIG. 2 shows a front view of the weighted exercise band;  
FIG. 3 shows a rear view of the weighted exercise band;  
FIG. 4 shows a top view of the weighted exercise band;  
FIG. 5 shows a bottom view of the weighted exercise band;  
FIG. 6 shows a right side view of the weighted exercise band;  
FIG. 7 shows a left side view of the weighted exercise band;  
FIG. 8 shows a right side perspective view of the weighted exercise band in a cylindrical configuration; and,  
FIG. 9 shows a perspective view of a single element of the weighted exercise band of FIG. 1 shown removed for ease of illustration.

The broken lines shown in the drawings are for the purpose of illustrating portions of the weighted exercise band, which form no part of the claimed design.

**1 Claim, 9 Drawing Sheets**



(56)

**References Cited**

U.S. PATENT DOCUMENTS

D395,686	S	*	6/1998	Eckmann	.....	D21/684
D418,559	S	*	1/2000	Cousins	.....	D21/680
D419,624	S	*	1/2000	Eckmann	.....	D21/683
D450,795	S	*	11/2001	Riley, Jr.	.....	D21/680
D450,796	S	*	11/2001	Riley, Jr.	.....	D21/680
D470,947	S	*	2/2003	Hamlin	.....	D24/206
D629,115	S	*	12/2010	Robertson	.....	D24/190
D662,557	S	*	6/2012	Nawracaj	.....	D21/683
2013/0237391	A1	*	9/2013	Haley	.....	A63B 21/4021 482/105
2013/0281262	A1	*	10/2013	Russotti	.....	A63B 21/0607 482/44

\* cited by examiner

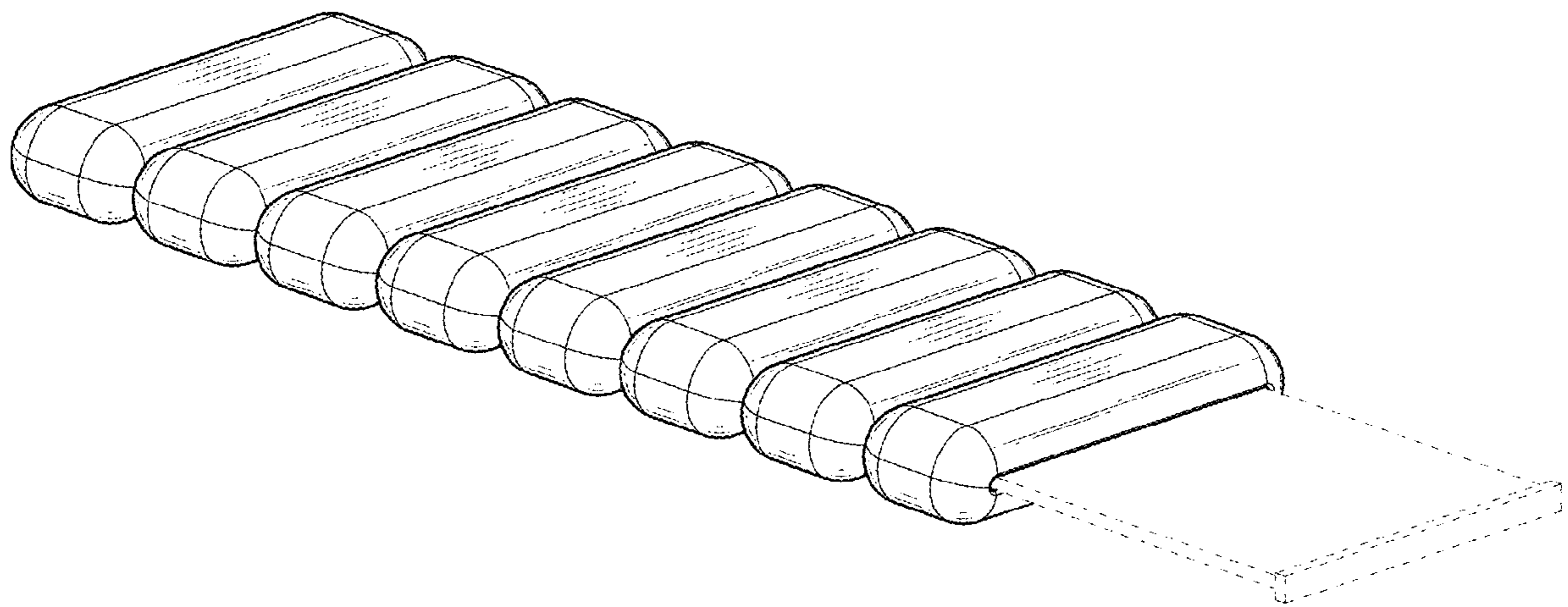


FIG. 1

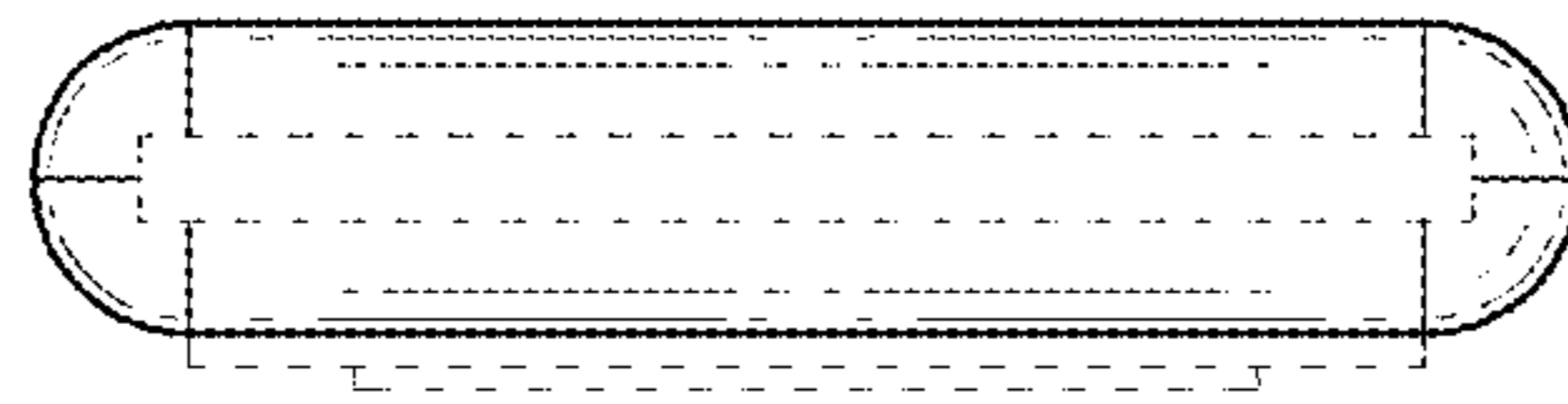


FIG. 2

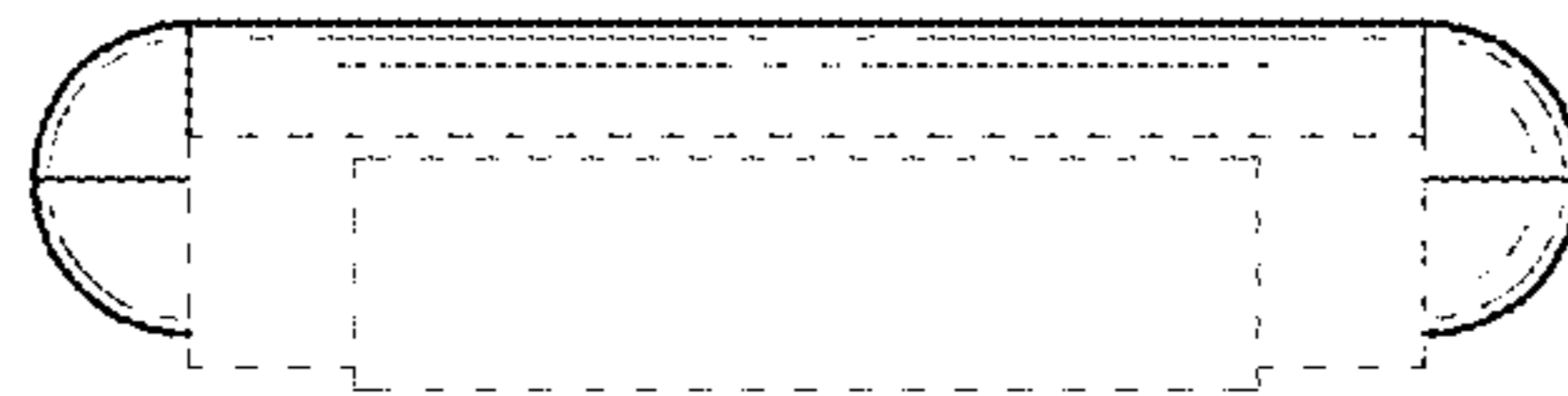


FIG. 3

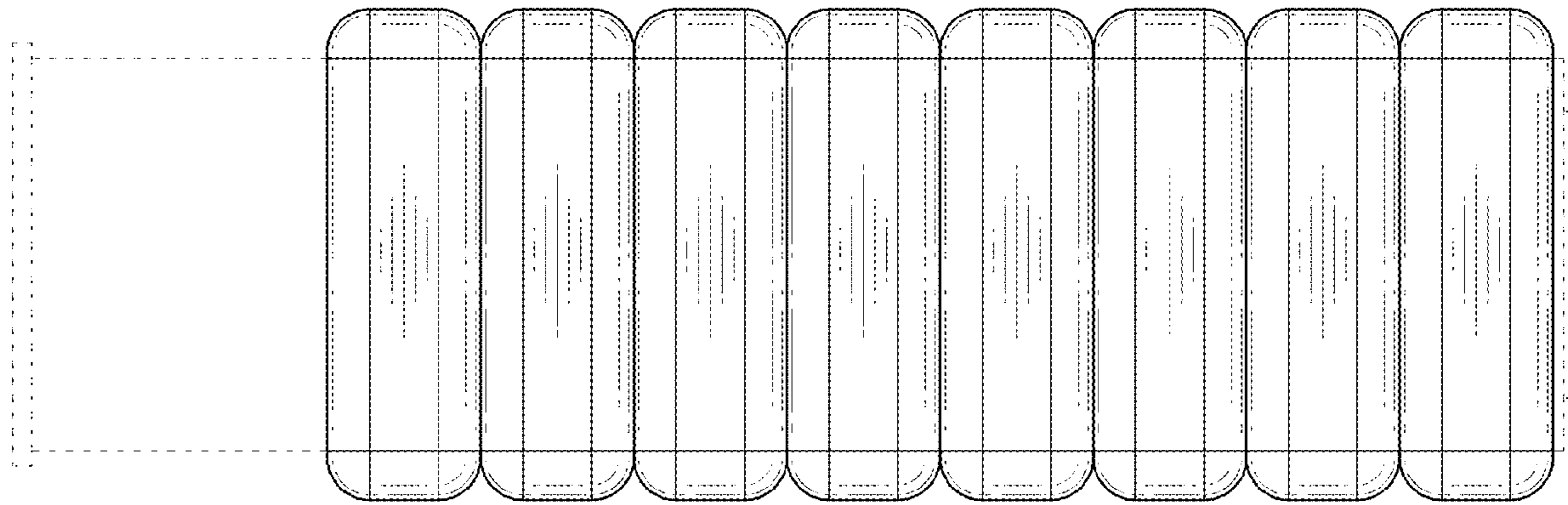


FIG. 4

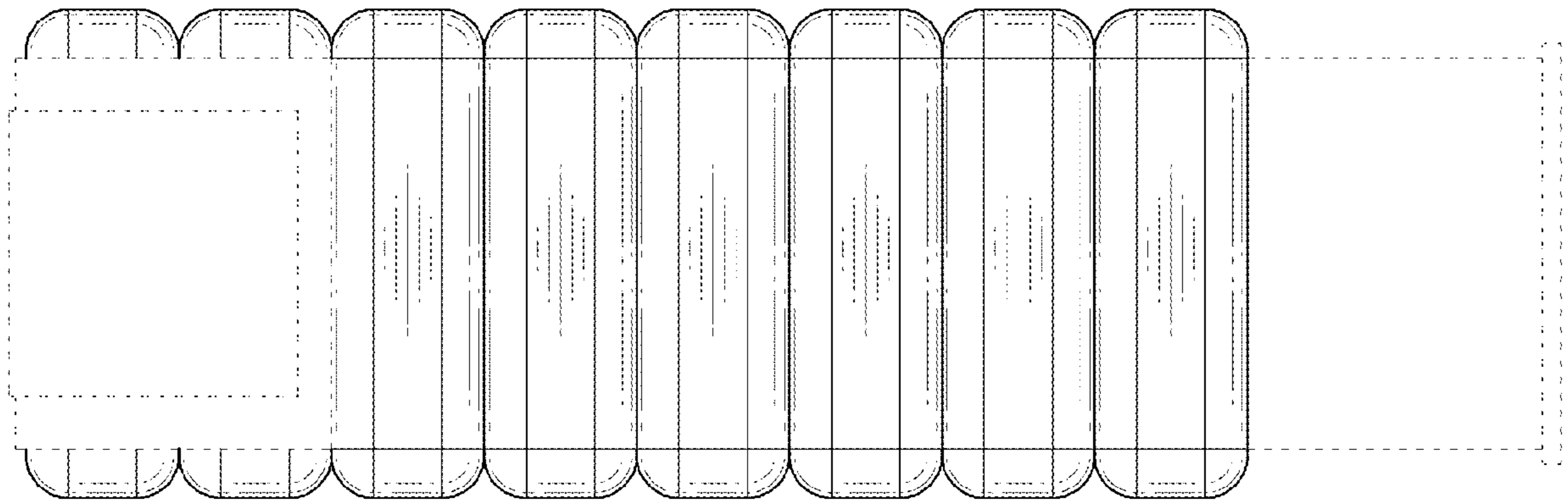


FIG. 5



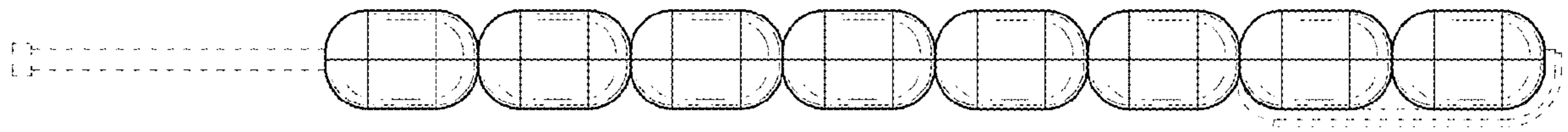


FIG. 6



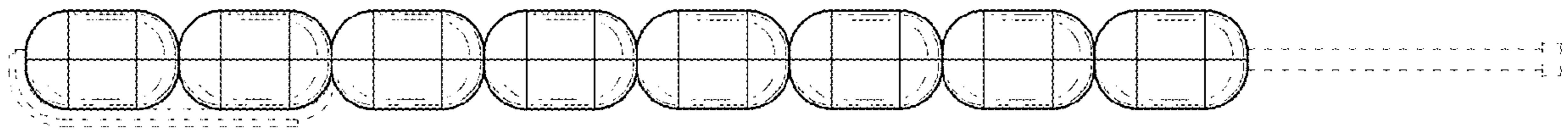


FIG. 7

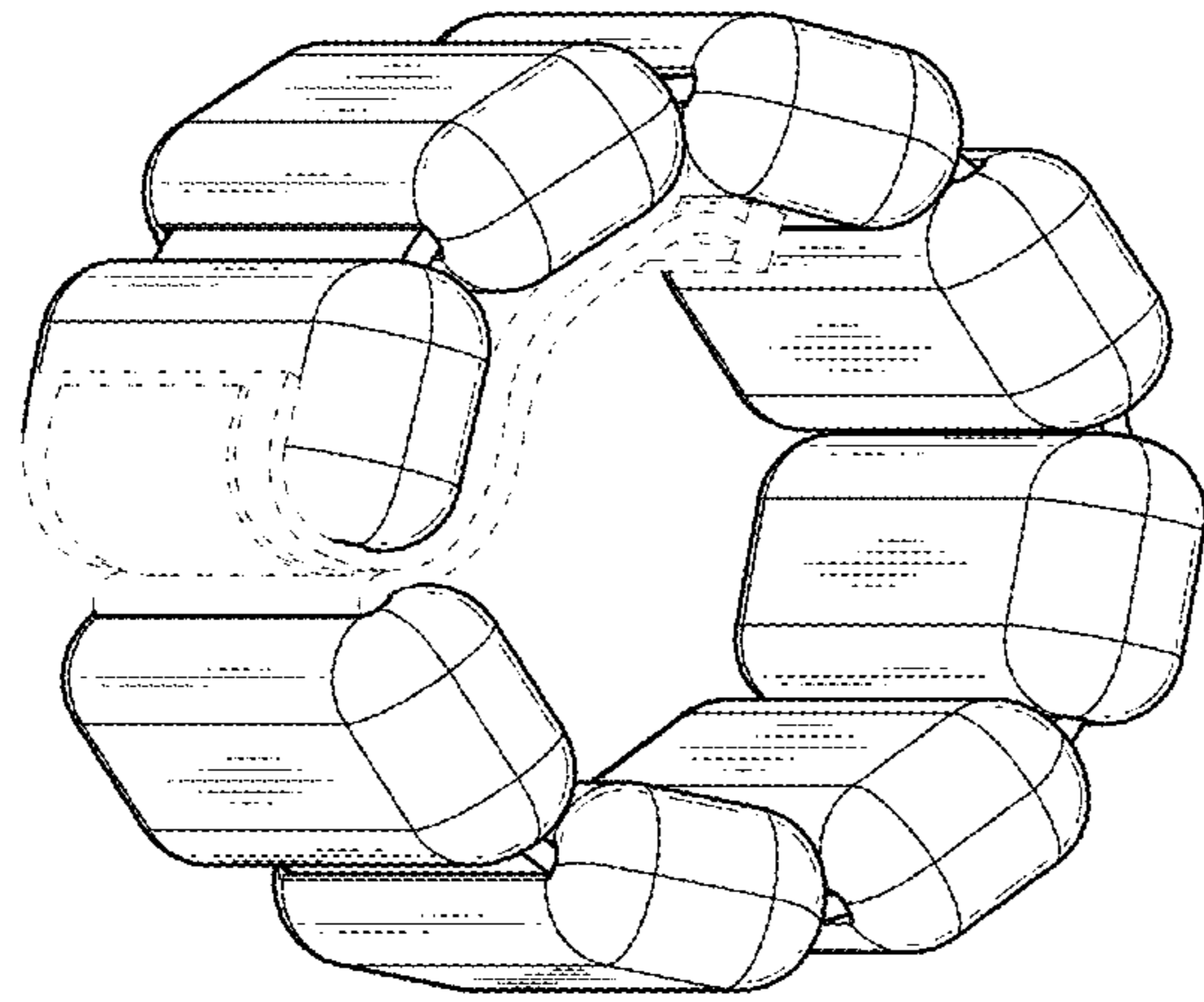


FIG. 8

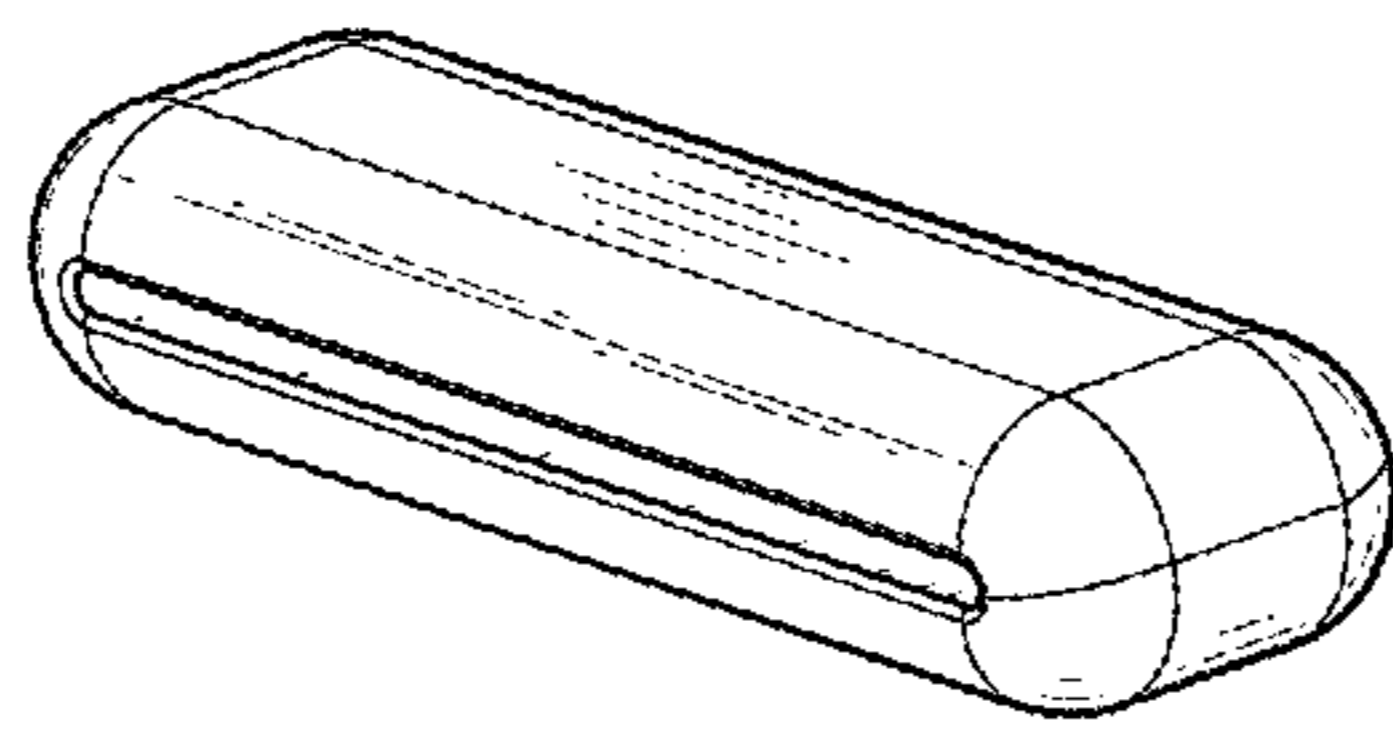


FIG. 9