



US00D888166S

(12) **United States Design Patent**
Henniger et al.

(10) **Patent No.: US D888,166 S**
(45) **Date of Patent: ** *Jun. 23, 2020**

- (54) **TRAP BAR**
- (71) Applicant: **Coulter Ventures, LLC.**, Columbus, OH (US)
- (72) Inventors: **William Henniger**, Columbus, OH (US); **Joshua Roach**, Columbus, OH (US)
- (73) Assignee: **Coulter Ventures, LLC.**, Columbus, OH (US)
- (*) Notice: This patent is subject to a terminal disclaimer.
- (**) Term: **15 Years**
- (21) Appl. No.: **29/646,906**
- (22) Filed: **May 8, 2018**
- (51) **LOC (12) Cl.** **21-02**
- (52) **U.S. Cl.**
USPC **D21/679**
- (58) **Field of Classification Search**
USPC D21/680, 682, 681, 678, 662, 679, 684, D21/686, 801, 694, 683; 173/102, 103, 173/118, 126, 133; 482/108, 93, 110, 482/111, 105, 8, 107, 106, 139, 94, 104, 482/140, 109, 51, 70, 74, 98, 1, 121, 55; D9/680, 629, 456; D8/85, 45, 107, 90, D8/317, 387, 397, 343, 31, 75, 14; D11/81, 91, 56, 80, 7, 52, 14, 201; D12/215
CPC A63B 21/4035; A63B 21/0552; A63B 23/0211; A63B 21/0728; A63B 21/075; A63B 21/072
See application file for complete search history.

- D284,930 S * 8/1986 Richards D8/70
- D317,641 S * 6/1991 Gerard D21/682
- D320,249 S * 9/1991 Gerard D21/682
- 5,725,461 A * 3/1998 Bogard, II A63B 21/072
482/106
- 6,004,245 A * 12/1999 Boos A63B 21/072
482/106
- D433,468 S * 11/2000 Rojas D21/680
- D437,015 S * 1/2001 Rojas D21/679
- 8,556,781 B1 * 10/2013 Fitzpatrick A63B 21/0724
482/106
- 8,951,170 B1 * 2/2015 Tayo A63B 21/0724
482/107

(Continued)

OTHER PUBLICATIONS

Rogue TB-1 by Rogue dated Apr. 16, 2015. Found online [Apr. 16, 2019] (Year: 2015).*

(Continued)

Primary Examiner — Ryan Harvey
(74) *Attorney, Agent, or Firm* — Banner & Witcoff, Ltd.

(57) **CLAIM**

The ornamental design for a trap bar, as shown and described.

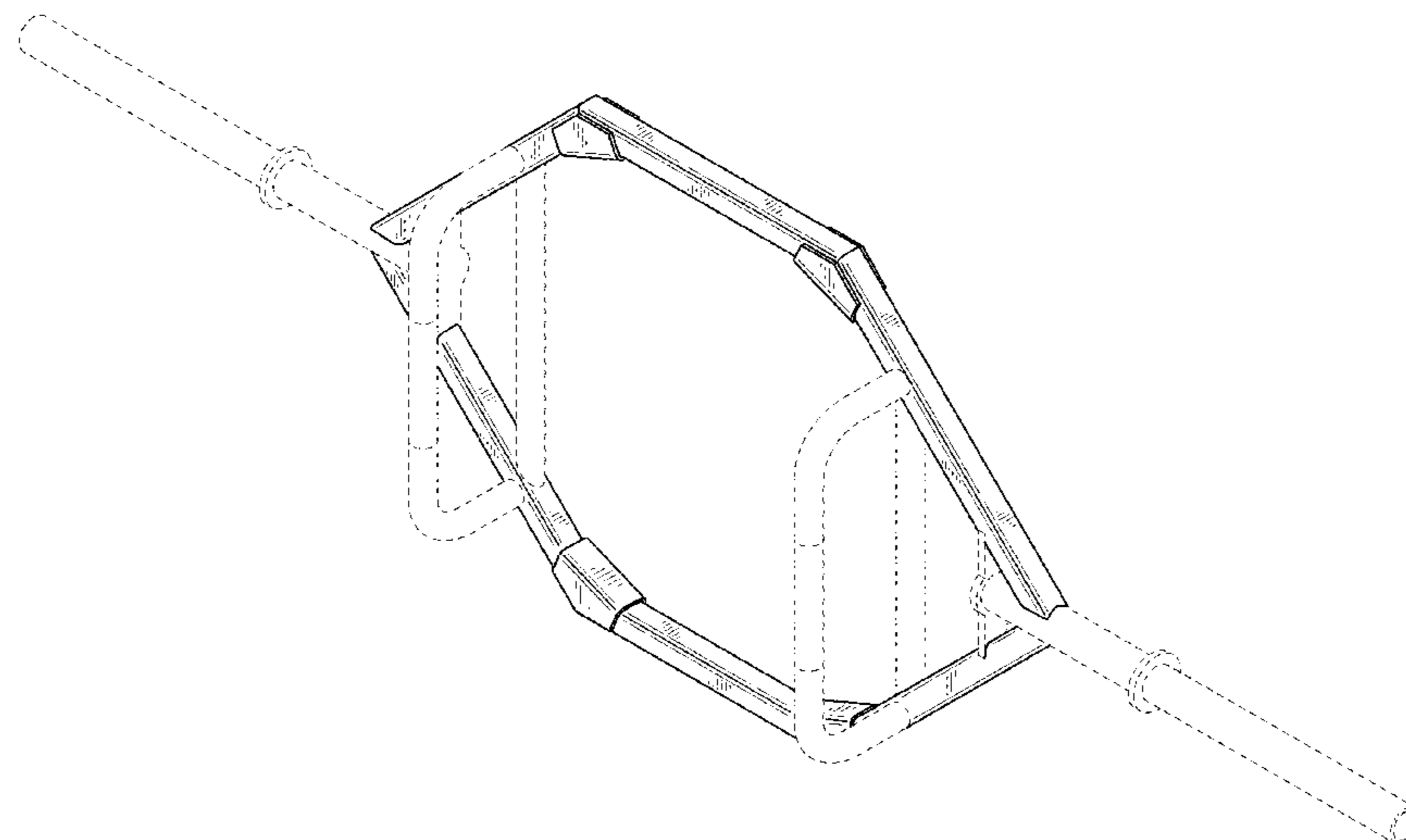
DESCRIPTION

FIG. 1 is a top, front, right perspective view of a trap bar showing our new design;
FIG. 2 is a front view thereof;
FIG. 3 is a rear view thereof;
FIG. 4 is a top view thereof;
FIG. 5 is a bottom view thereof;
FIG. 6 is a right side view thereof;
FIG. 7 is a left side view thereof; and,
FIG. 8 is a top, rear, left perspective view thereof.
The broken lines depicting the remainder of the trap bar show features that form no part of the claimed design.

1 Claim, 6 Drawing Sheets

(56) **References Cited**
U.S. PATENT DOCUMENTS

- 4,018,442 A * 4/1977 Galler A63B 21/0724
482/106
- D261,788 S * 11/1981 Burns D21/682



(56)

References Cited

U.S. PATENT DOCUMENTS

9,254,408 B1 * 2/2016 Otto A63B 21/055
 D776,209 S * 1/2017 Gilbert D21/683
 9,889,330 B2 * 2/2018 Mann A63B 21/0724
 D845,404 S * 4/2019 Kuka D21/679
 2006/0040802 A1 * 2/2006 Vittone A63B 21/0724
 482/106
 2017/0106226 A1 * 4/2017 Mann A63B 21/0724

OTHER PUBLICATIONS

Hex bar by Black Widow dated no date given. Found online [Apr. 16, 2019] (Year: 0).*

Hex bar black by dated Oct. 24, 2017. Found online [Apr. 16, 2019] (Year: 2017).*

Cap Barbell by Amazon dated Mar. 12, 2019 Found online [Apr. 16, 2019] (Year: 2019).*

Product listing for Rogue TB-1 Trap Bar 2.0, from <https://web.archive.org/web/20170424054849/https://www.roguefitness.com/rogue-tb-1-trap-bar-2-0>, dated Apr. 24, 2017.

Photos of Rogue TB-1 Trap Bar 2.0, from <https://web.archive.org/web/20170424054849/https://www.roguefitness.com/rogue-tb-1-trap-bar-2-0>, dated Apr. 24, 2017.

Product listing for Rogue TB-2 Trap Bar, from <https://web.archive.org/web/20170425134451/https://www.roguefitness.com/rogue-tb-2-trap-bar>, dated Apr. 25, 2017.

Photos of Rogue TB-2 Trap Bar, from <https://web.archive.org/web/20170425134451/https://www.roguefitness.com/rogue-tb-2-trap-bar>, dated Apr. 25, 2017.

* cited by examiner

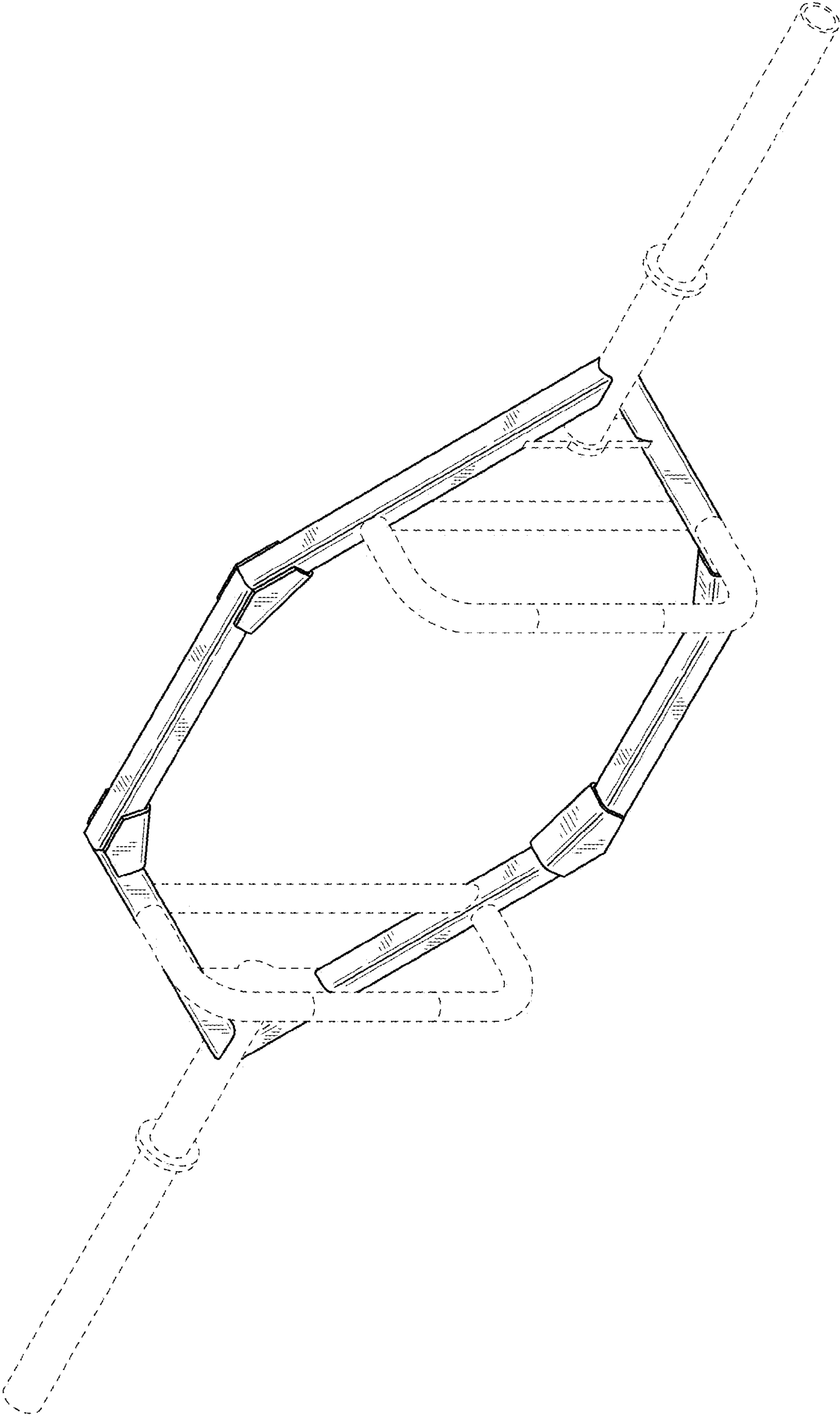


FIG. 1

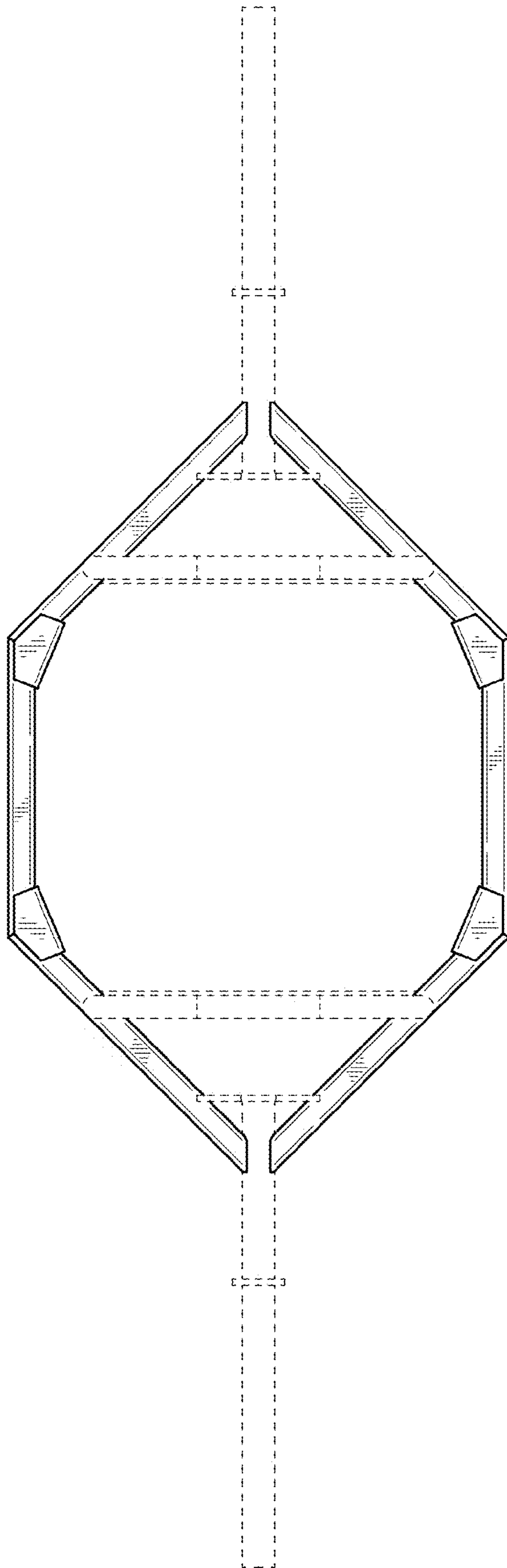


FIG. 2

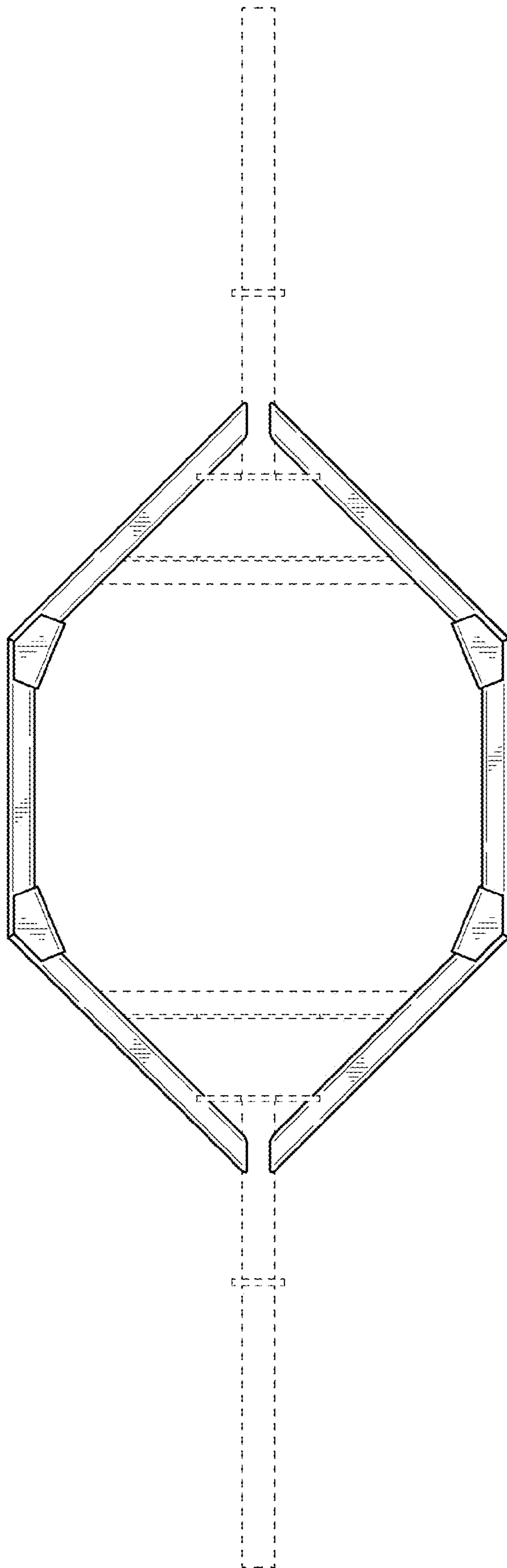


FIG. 3

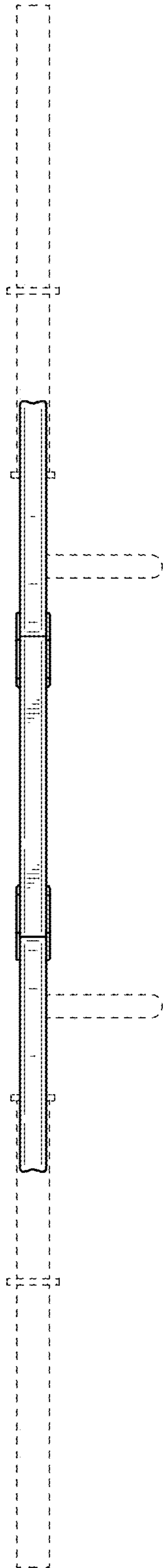


FIG. 4

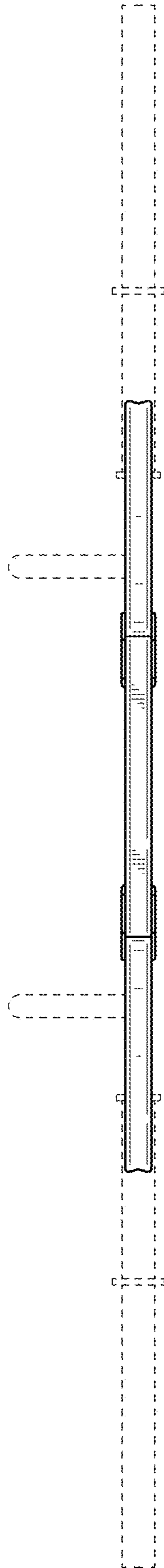


FIG. 5

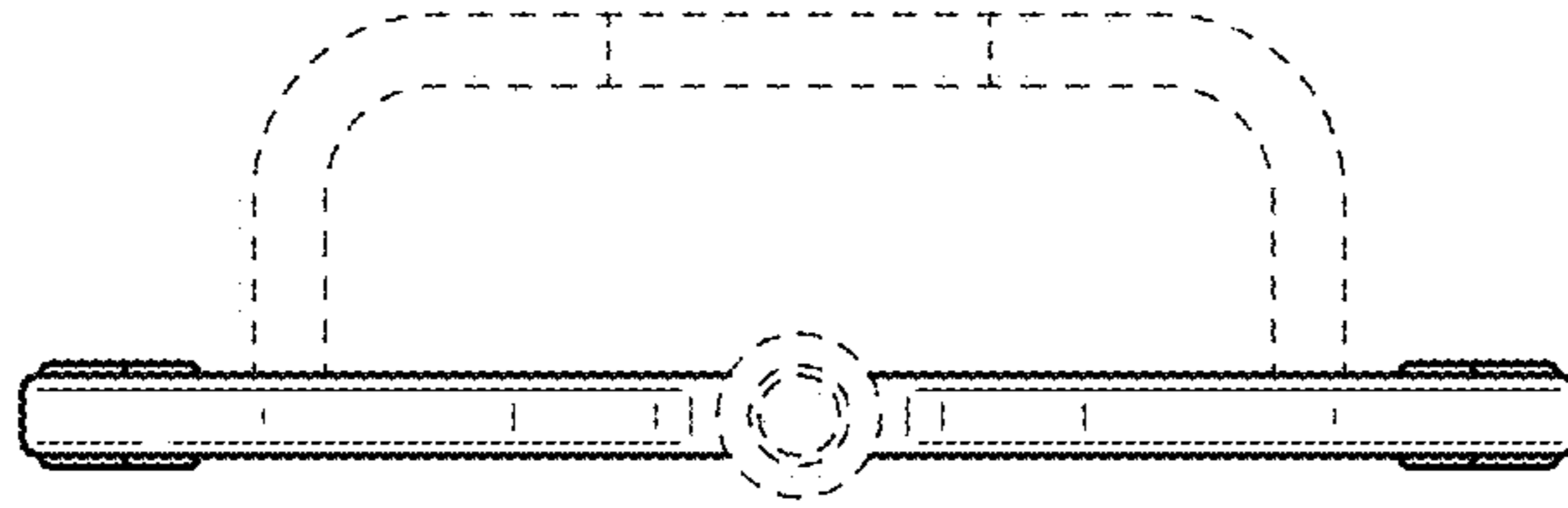


FIG. 7

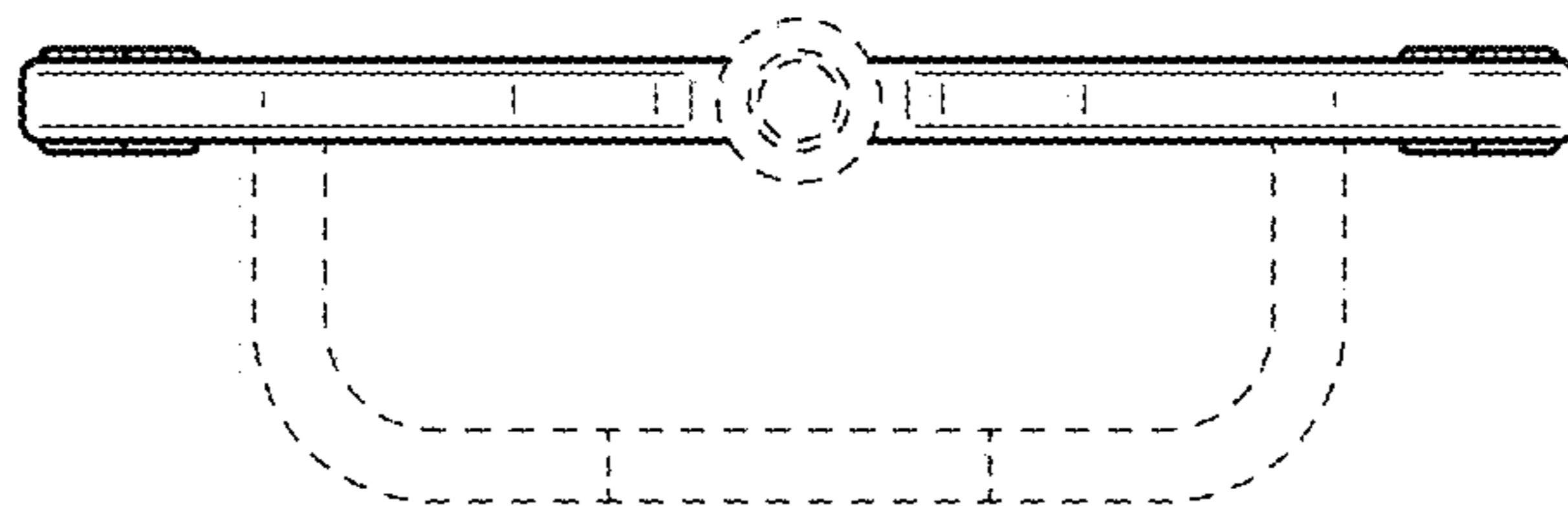


FIG. 6

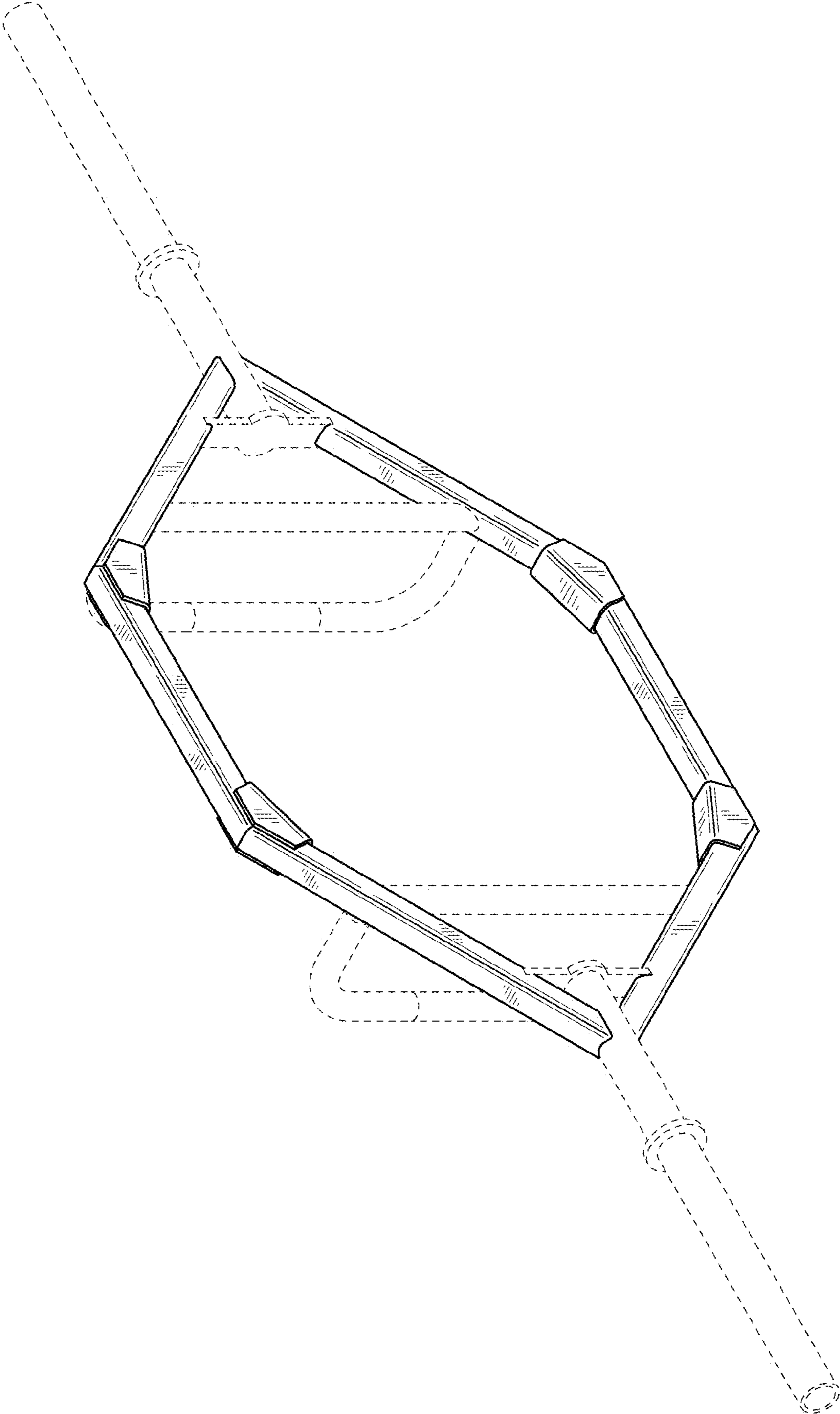


FIG. 8