



US00D888164S

(12) **United States Design Patent**  
**Hu**

(10) **Patent No.:** **US D888,164 S**

(45) **Date of Patent:** **\*\* Jun. 23, 2020**

(54) **TOY CAR**

(71) Applicant: **Yanru Hu**, Xiangyang (CN)

(72) Inventor: **Yanru Hu**, Xiangyang (CN)

(\*\*) Term: **15 Years**

(21) Appl. No.: **29/703,182**

(22) Filed: **Oct. 7, 2019**

(51) **LOC (12) Cl.** ..... **21-01**

(52) **U.S. Cl.**  
USPC ..... **D21/552**

(58) **Field of Classification Search**  
USPC ..... D21/433, 434, 548, 552, 557, 559, 560,  
D21/561, 580, 581; D12/1, 86, 93, 99  
CPC .... A63H 17/26; A63H 17/262; A63H 17/264;  
A63H 17/266; A63H 17/36; A63H 17/38;  
A63H 29/00; A63H 29/22; A63H 29/24  
See application file for complete search history.

(56) **References Cited**

**U.S. PATENT DOCUMENTS**

D350,284 S \* 9/1994 Ran ..... D21/552  
5,632,375 A \* 5/1997 Mattikow ..... G11B 23/023  
206/214  
D401,407 S \* 11/1998 Bro ..... D3/271.12

D464,639 S \* 10/2002 White ..... D14/207  
D504,707 S \* 5/2005 Gieson ..... D21/552  
D567,885 S \* 4/2008 Amadio ..... D21/559  
D643,478 S \* 8/2011 Lai  
D721,769 S \* 1/2015 Johnson ..... D21/552  
D724,158 S \* 3/2015 Tsuchiya et al.  
D758,252 S \* 6/2016 Murray ..... D12/93  
D821,265 S \* 6/2018 Makela ..... D12/86  
D827,038 S \* 8/2018 Exley ..... D21/434  
D839,972 S \* 2/2019 Chen ..... D21/580  
D852,900 S \* 7/2019 Zhou ..... D21/552

\* cited by examiner

*Primary Examiner* — Cynthia M. Chin

(74) *Attorney, Agent, or Firm* — HYIP

(57) **CLAIM**

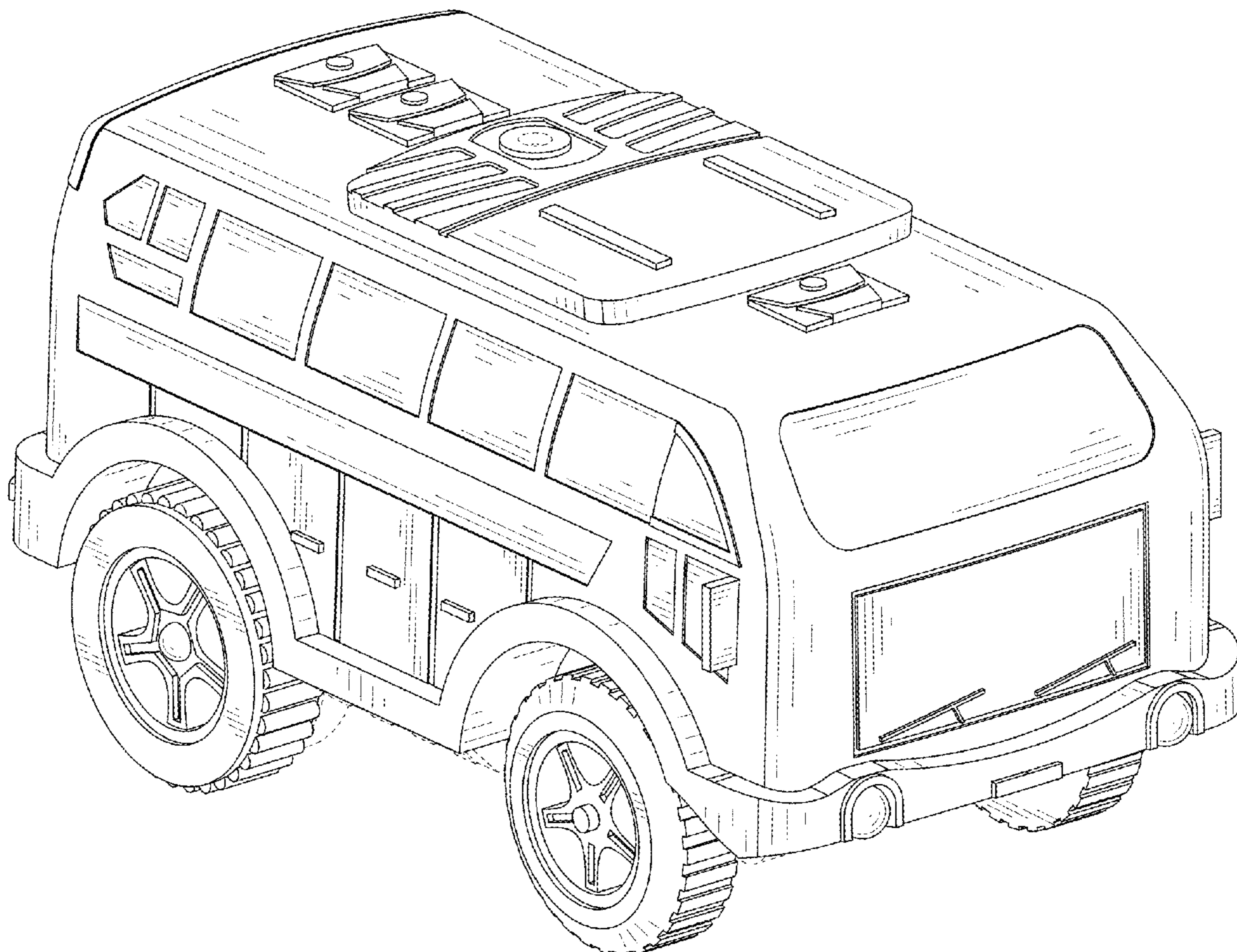
The ornamental design for a toy car, as shown and described.

**DESCRIPTION**

FIG. 1 is a perspective view of a toy car showing my design;  
FIG. 2 is a front view thereof;  
FIG. 3 is a back view thereof;  
FIG. 4 is a left side view thereof;  
FIG. 5 is a right side view thereof;  
FIG. 6 is a top view thereof; and,  
FIG. 7 is a bottom view thereof.

The broken lines are for the purpose of illustrating portions of the article that form no part of the claimed design.

**1 Claim, 7 Drawing Sheets**



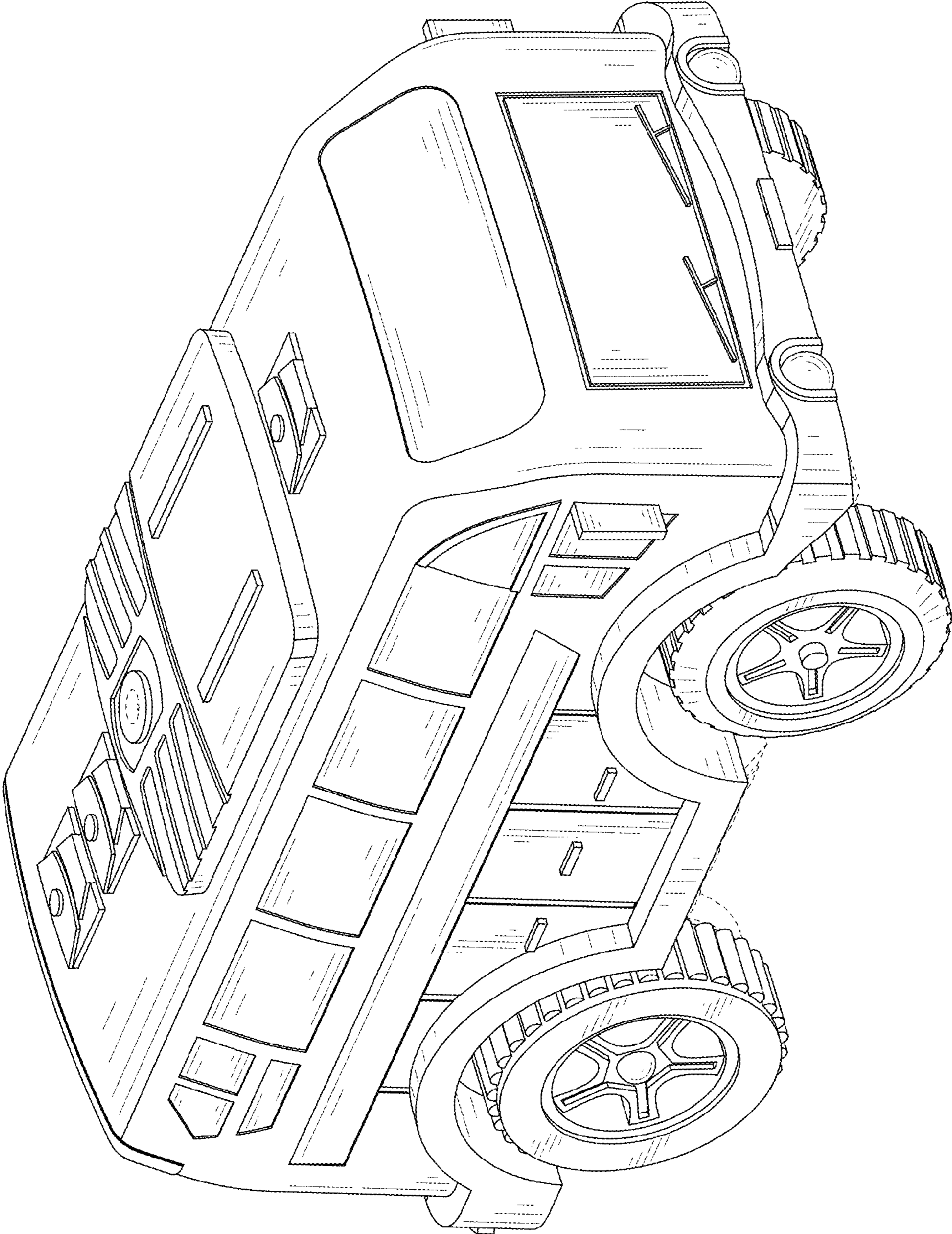


FIG. 1

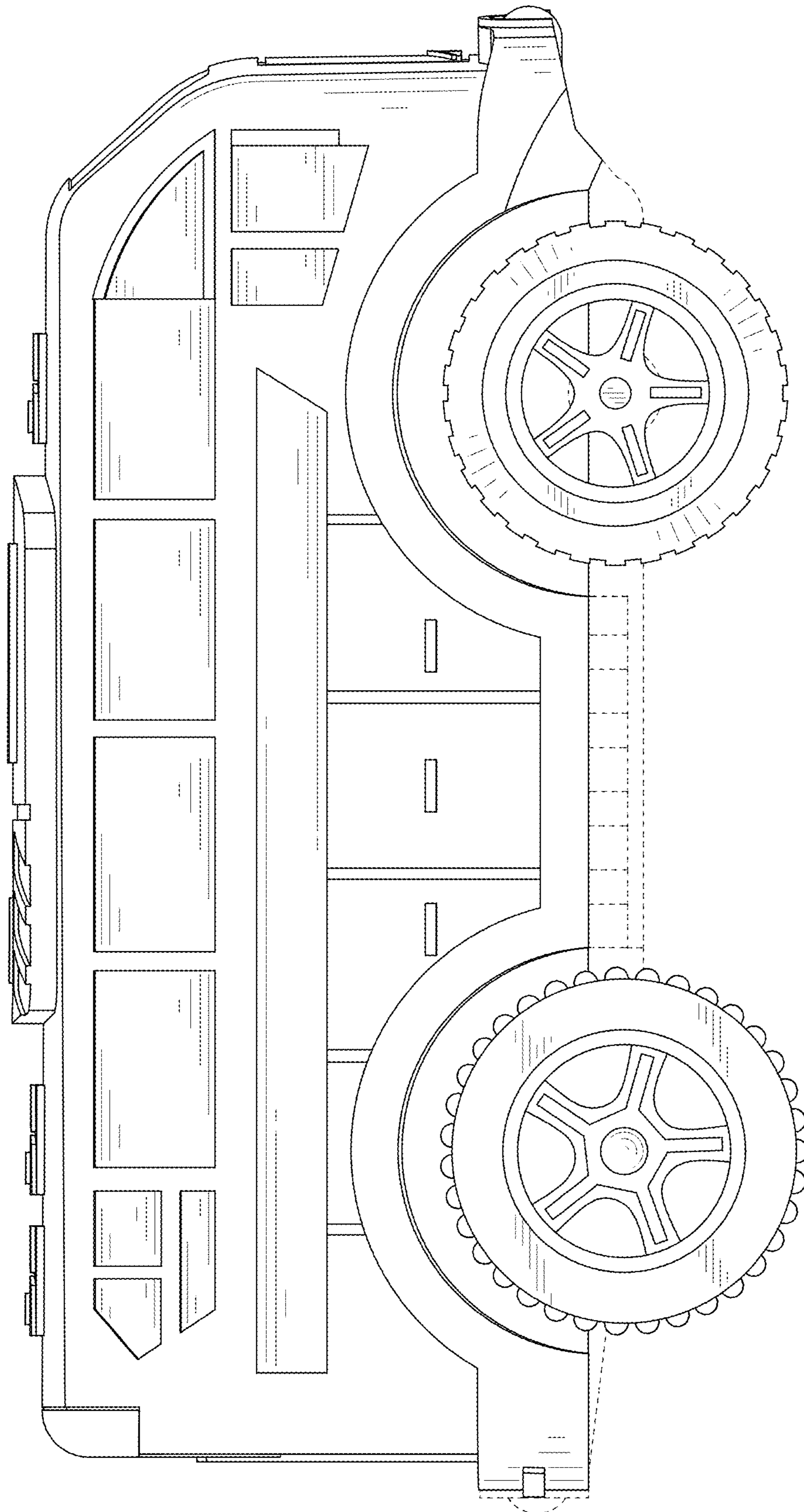


FIG. 2

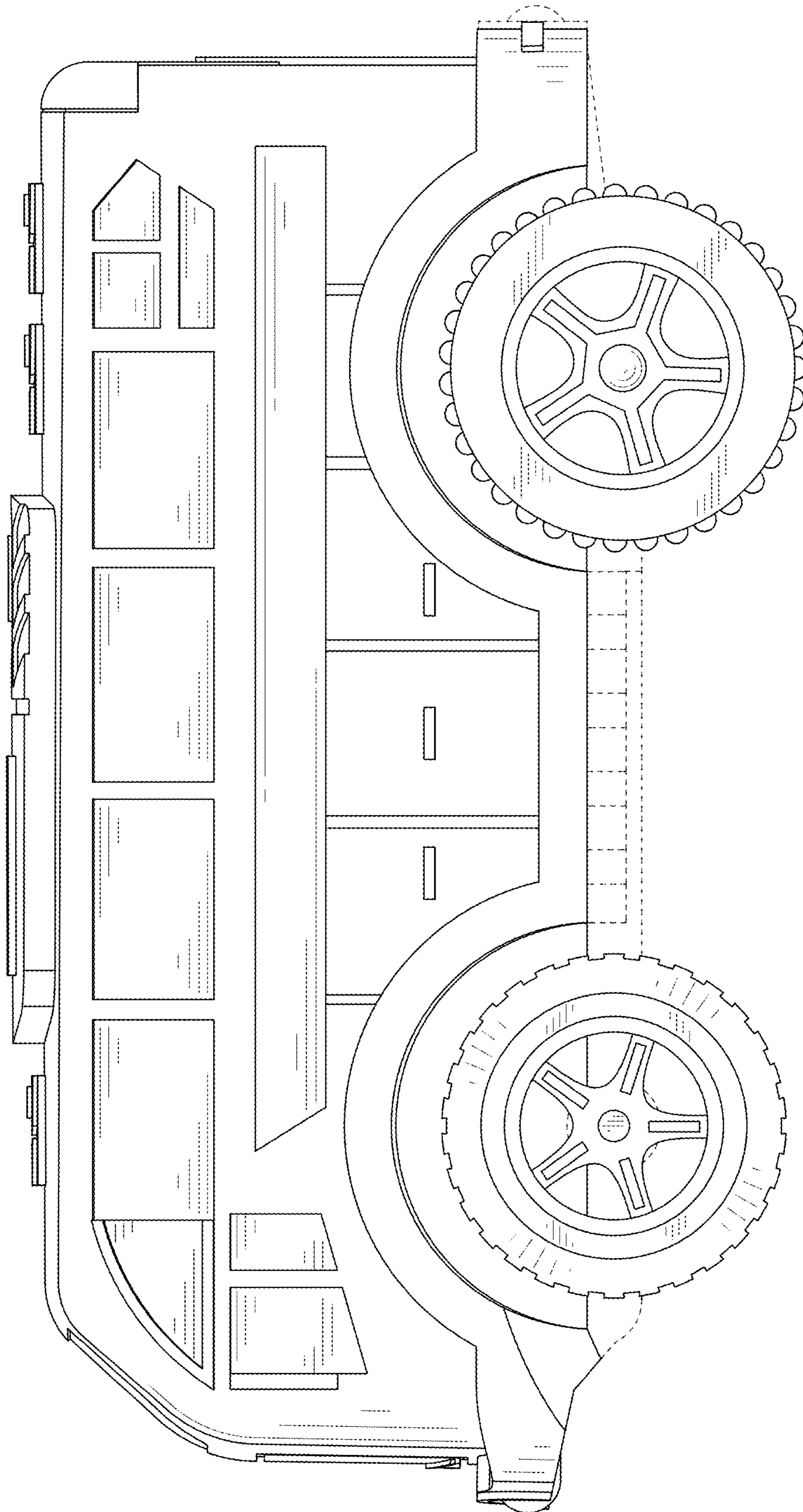


FIG. 3

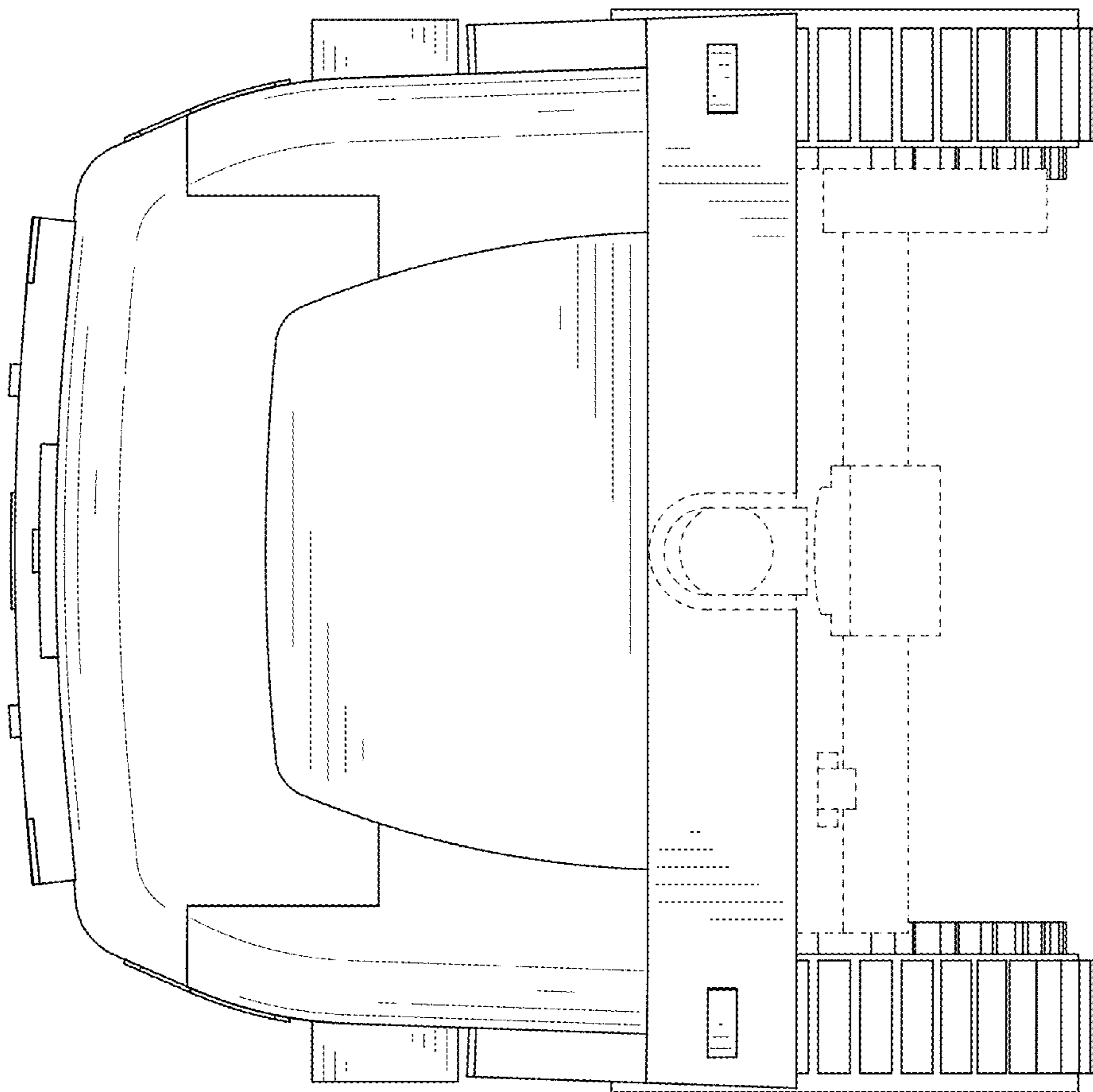


FIG. 4

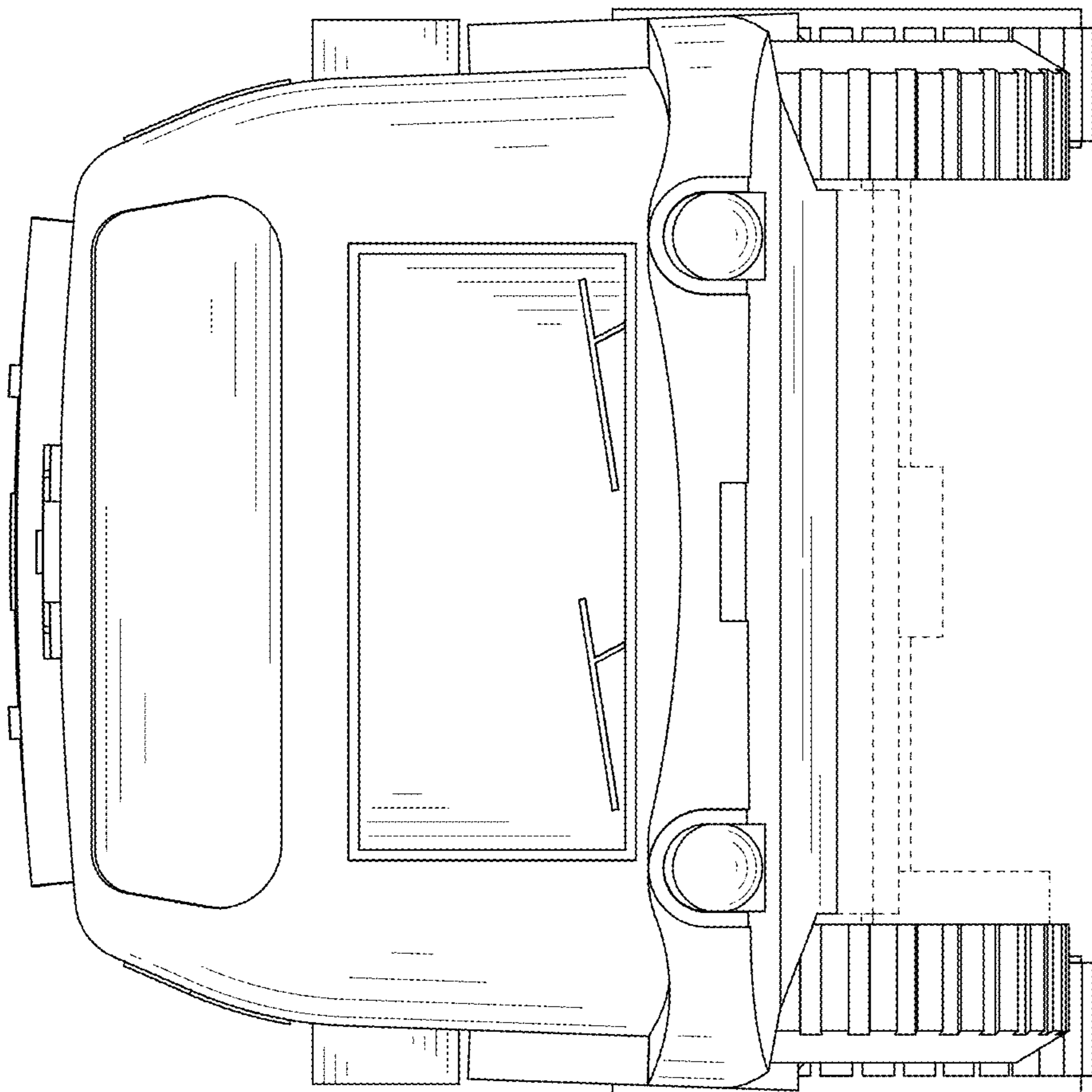


FIG. 5

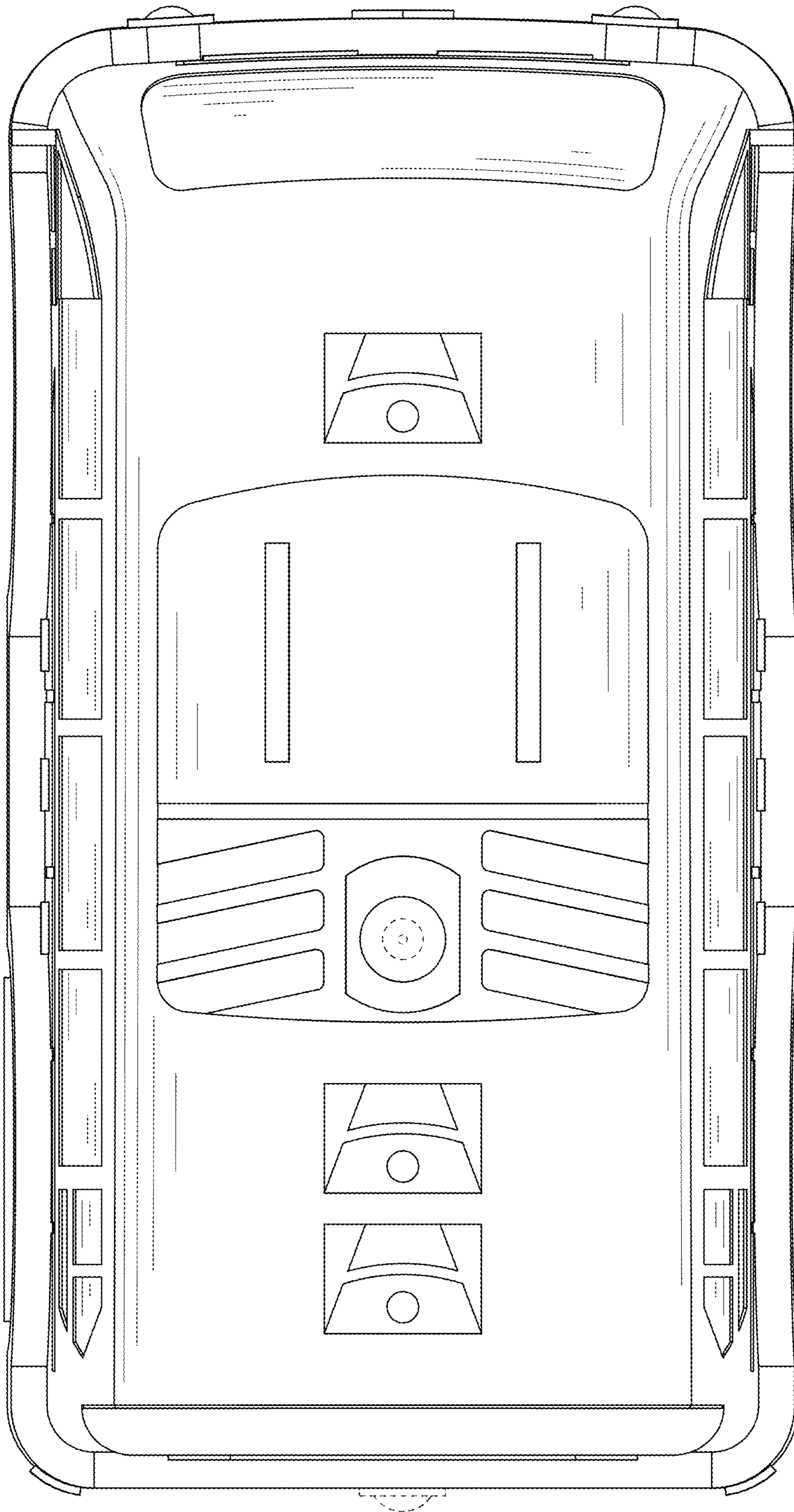


FIG. 6

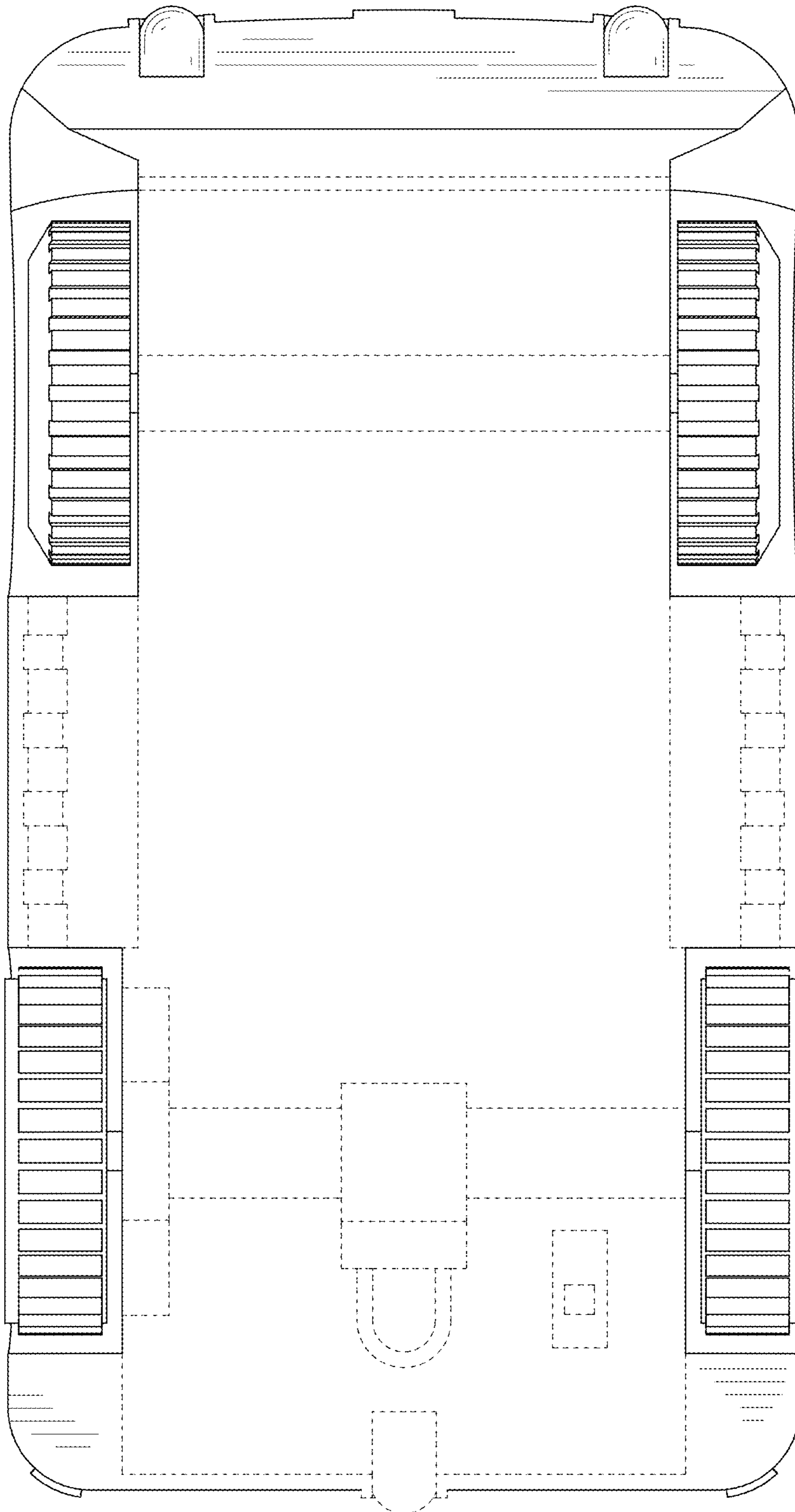


FIG. 7