



US00D888163S

(12) **United States Design Patent**
Tsai et al.

(10) **Patent No.:** **US D888,163 S**

(45) **Date of Patent:** **** Jun. 23, 2020**

(54) **BUILDING BLOCK TOY**
(71) Applicant: **Qbi Globe INC.**, New Taipei (TW)
(72) Inventors: **Peng-Yuan Tsai**, Kaohsiung (TW);
Tz-Ying Lin, Kaohsiung (TW);
Shao-Wei Chen, Taoyuan (TW);
Wang-Dong Cheng, New Taipei (TW)
(73) Assignee: **QBI GLOBE INC.**, New Taipei (TW)

3,829,101 A * 8/1974 Betzoldt A63F 9/12
273/160
D235,570 S * 6/1975 Barton D21/499
D282,264 S * 1/1986 Wiese D10/64
D319,803 S * 9/1991 Traner D11/157
D366,506 S * 1/1996 Lindquist D21/478
D426,587 S * 6/2000 Phillips D21/499
D498,801 S * 11/2004 Cochrane D21/707
D524,873 S * 7/2006 Wickens D21/373
D836,165 S * 12/2018 Peng D21/499
D836,166 S * 12/2018 Peng D21/499

(**) Term: **15 Years**

* cited by examiner

(21) Appl. No.: **29/683,237**

Primary Examiner — Cynthia M. Chin

(22) Filed: **Mar. 12, 2019**

(74) *Attorney, Agent, or Firm* — Alan D. Kamrath; Mayer & Williams PC

(51) **LOC (12) Cl.** **21-01**

(57) **CLAIM**

(52) **U.S. Cl.**
USPC **D21/499**

The ornamental design for a building block toy, as shown and described.

(58) **Field of Classification Search**
USPC D21/372, 373, 386, 389, 404, 468, 470,
D21/471, 484–505
CPC A63H 33/04; A63H 33/06; A63H 33/08;
A63H 33/084; A63H 33/086; A63H
33/088; A63H 33/10; A63H 33/105;
A63H 33/108

DESCRIPTION

See application file for complete search history.

FIG. 1 is a perspective view of a building block toy showing our new design;
FIG. 2 is a front view thereof;
FIG. 3 is a rear view thereof;
FIG. 4 is a left side view thereof;
FIG. 5 is a right side view thereof;
FIG. 6 is a top view thereof; and,
FIG. 7 is a bottom view thereof.

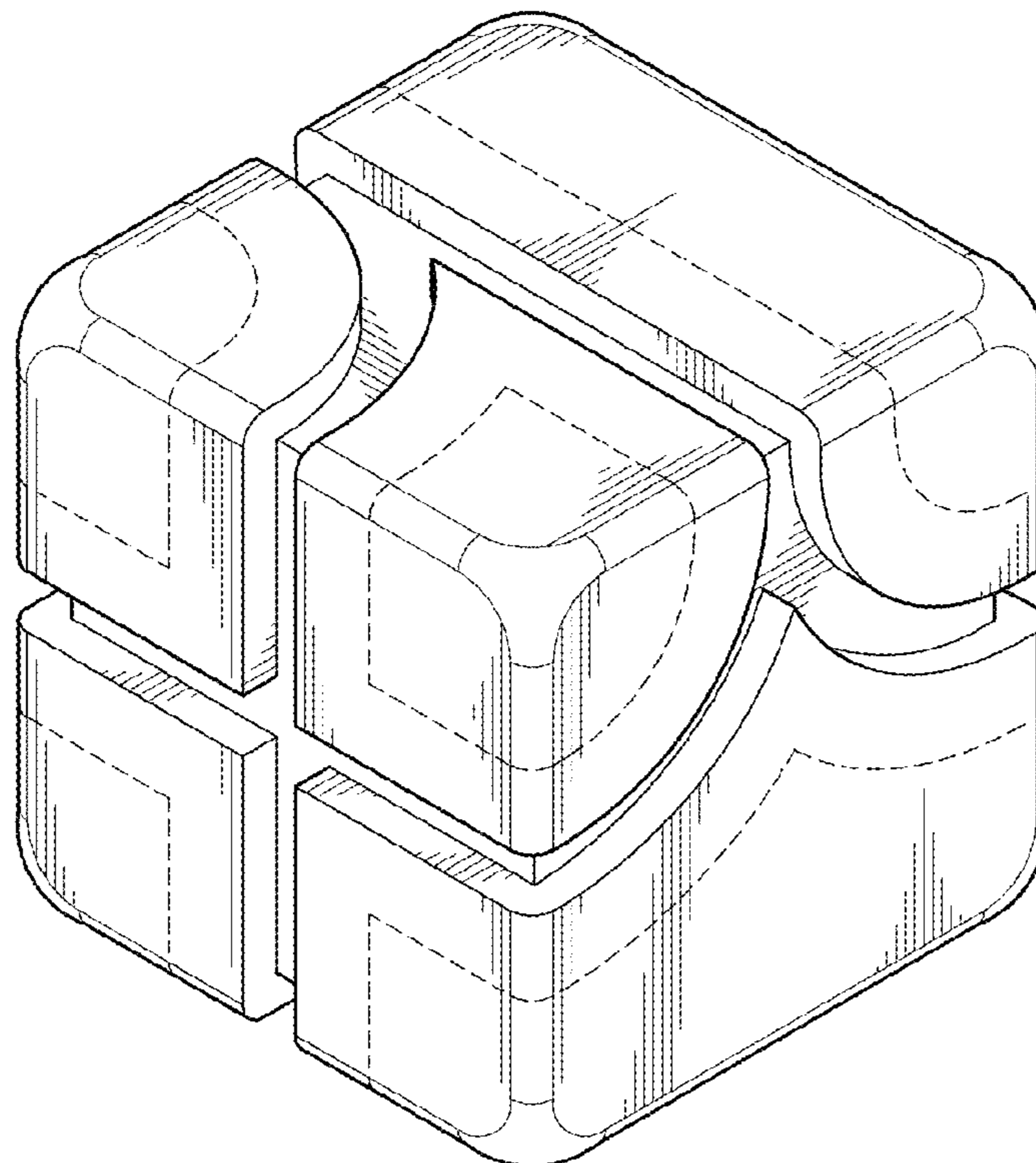
The broken lines shown are included for the purpose of illustrating portions of the article which form no part of the claimed design.

(56) **References Cited**

U.S. PATENT DOCUMENTS

D161,423 S * 1/1951 Claffin D21/499
D229,769 S * 1/1974 Daenen D21/499
D229,954 S * 1/1974 Daenen D21/499

1 Claim, 7 Drawing Sheets



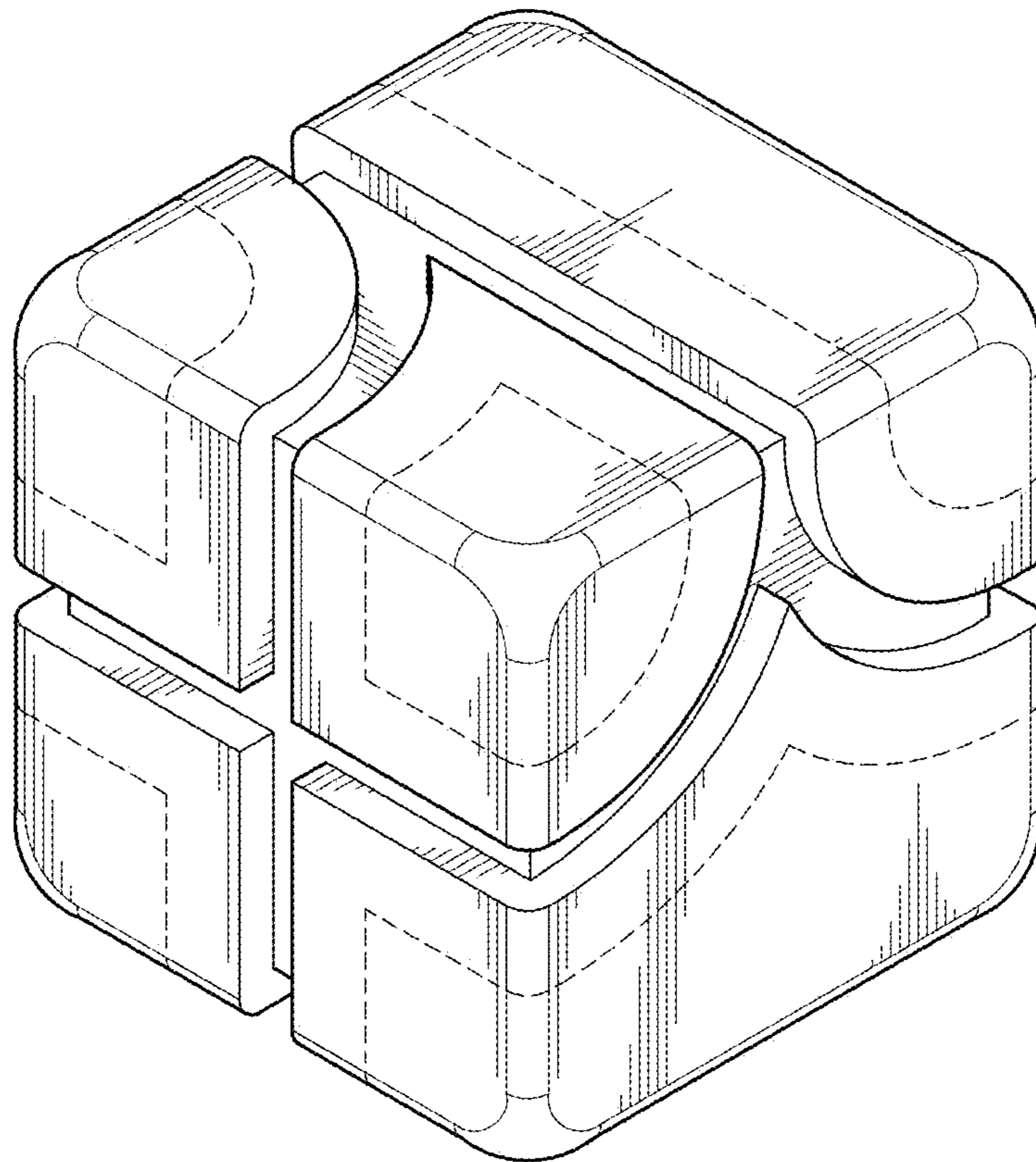


FIG. 1

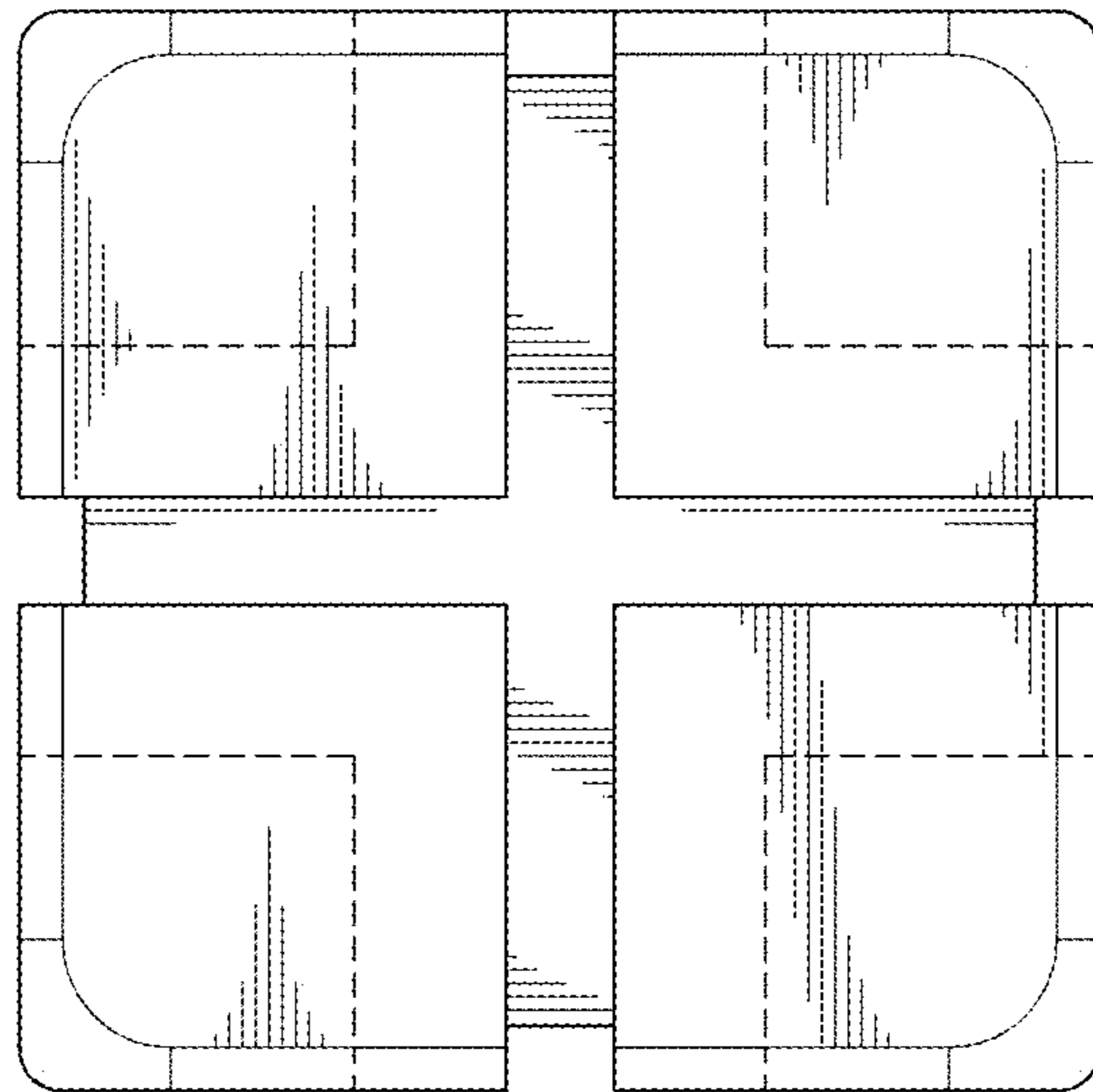


FIG. 2

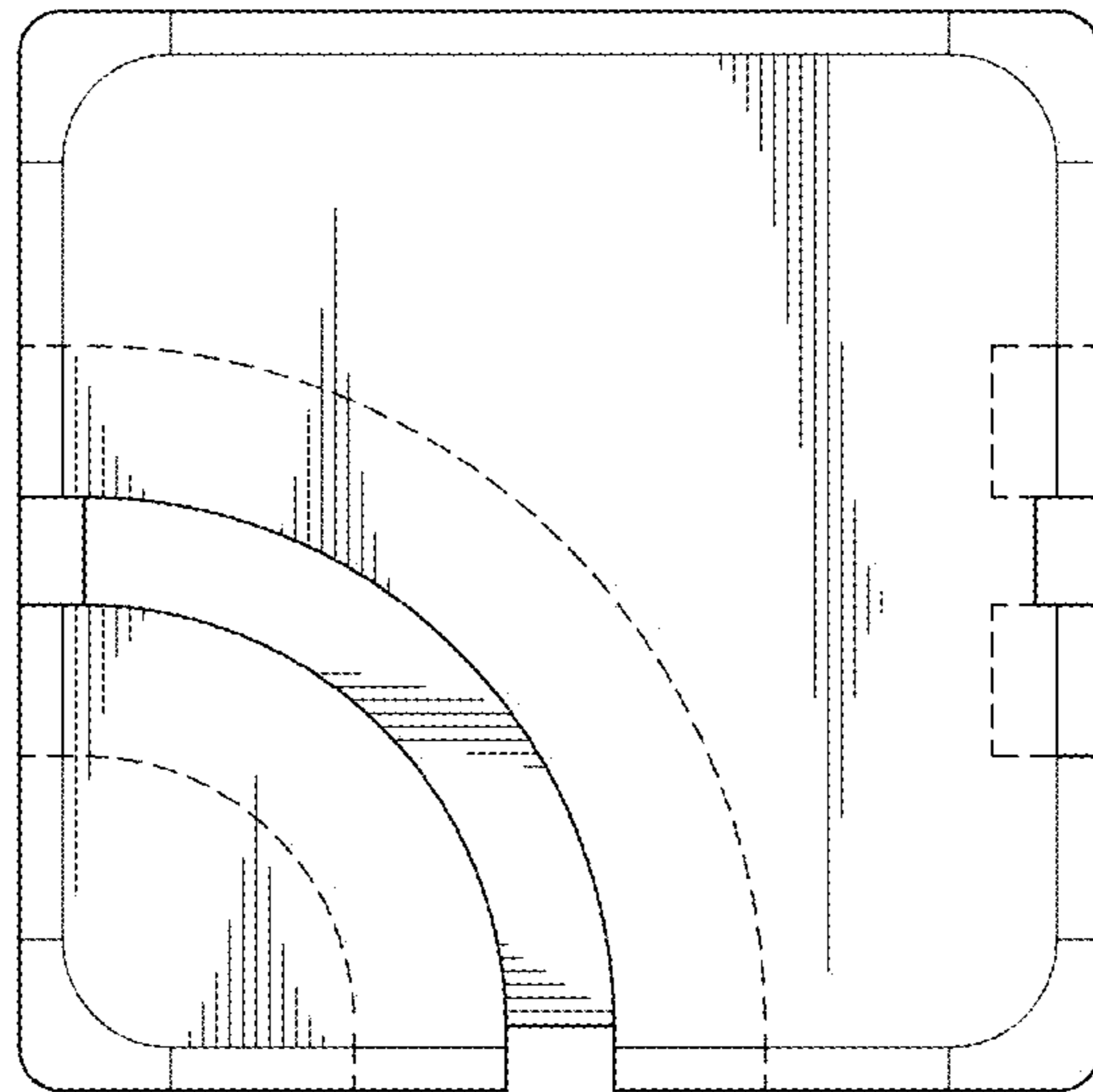


FIG. 3

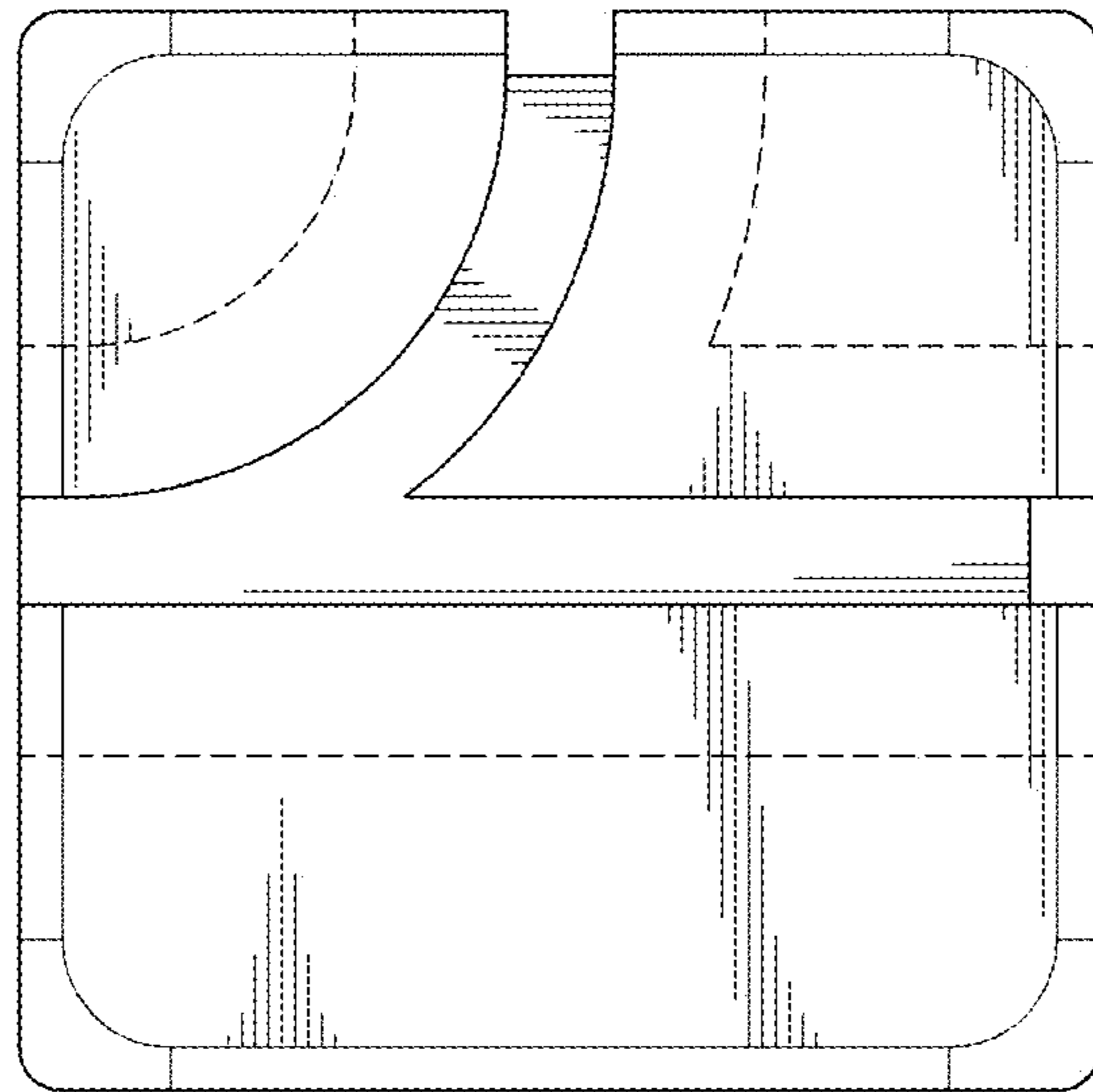


FIG. 4

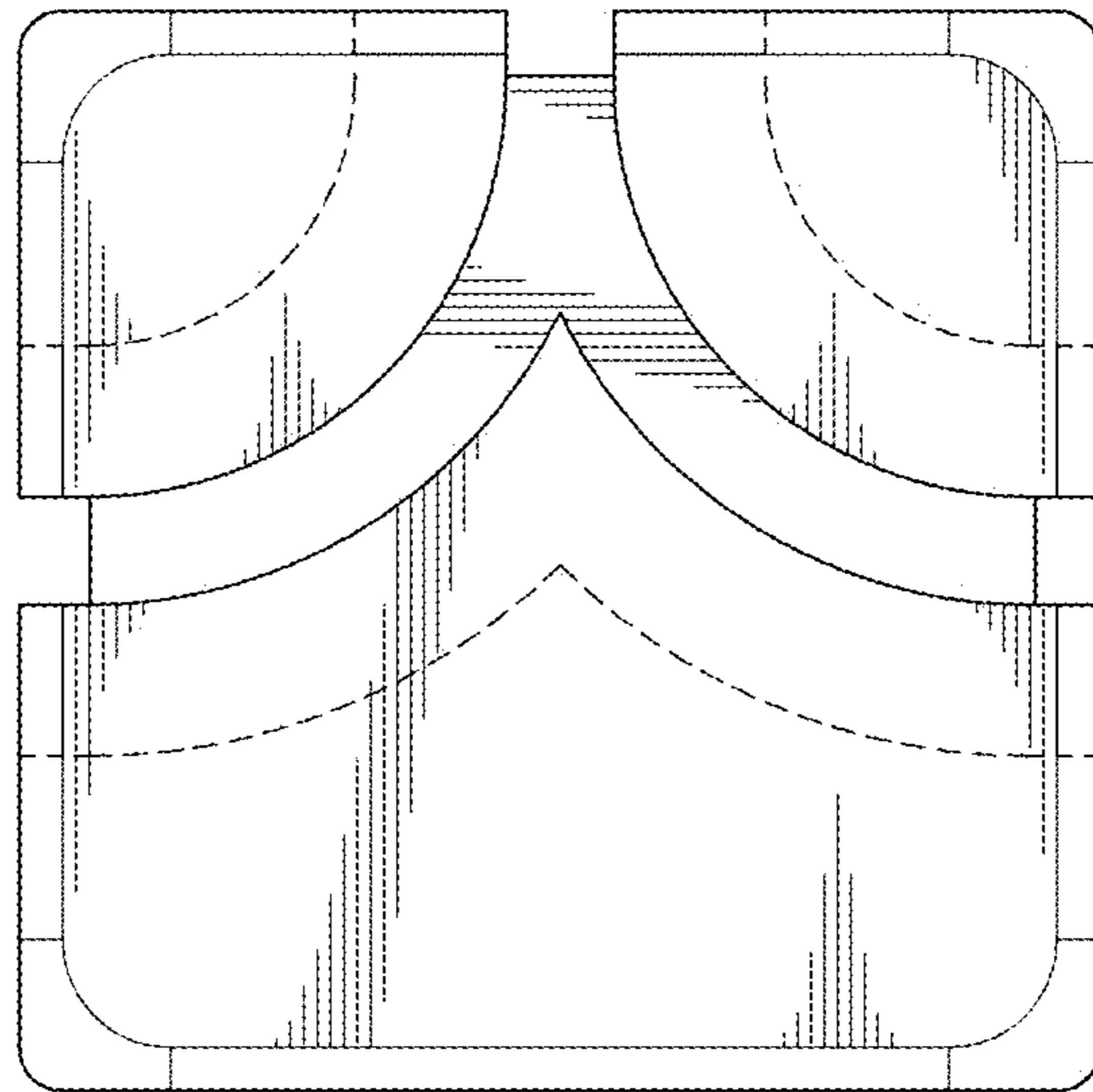


FIG. 5

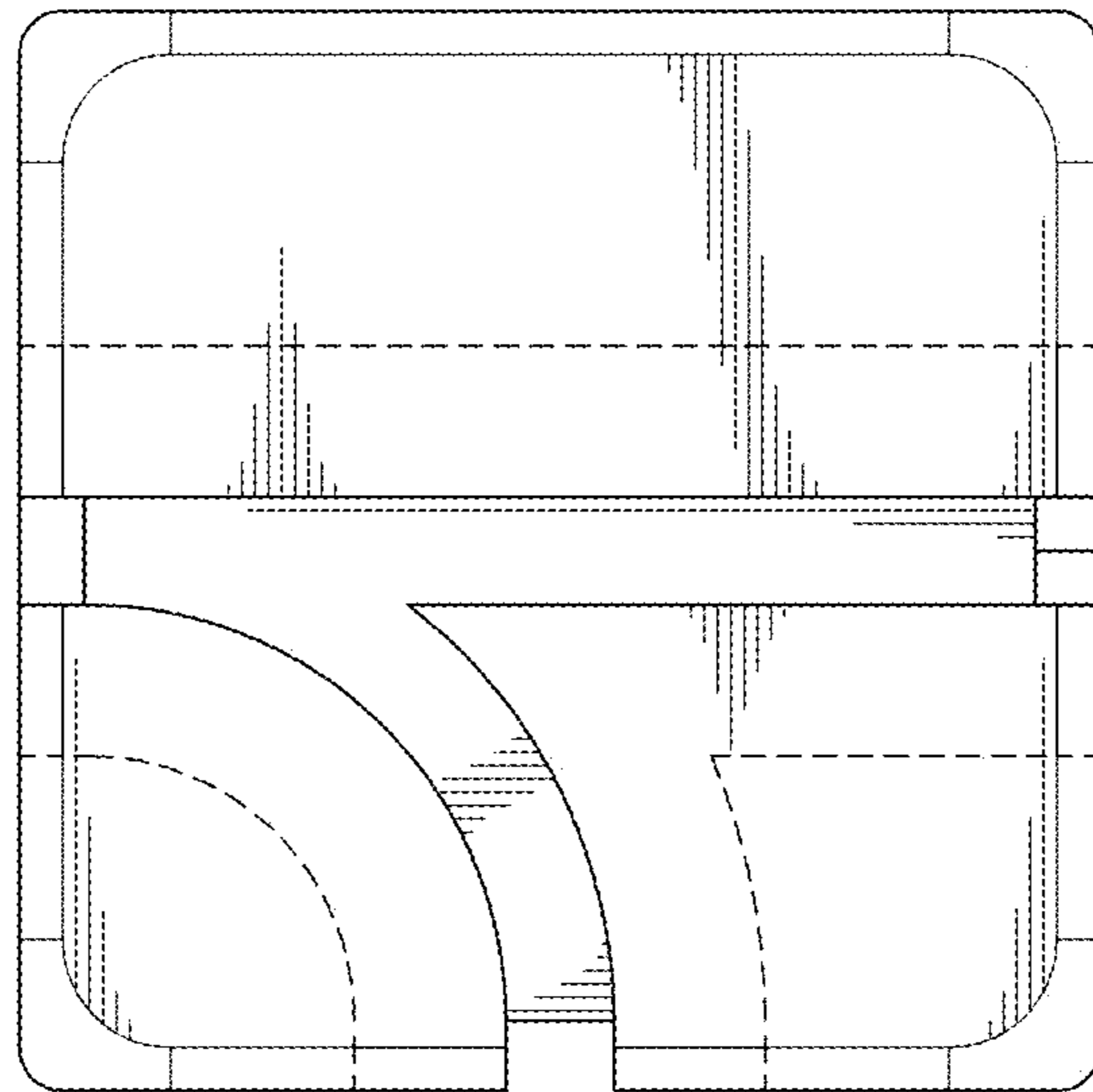


FIG. 6

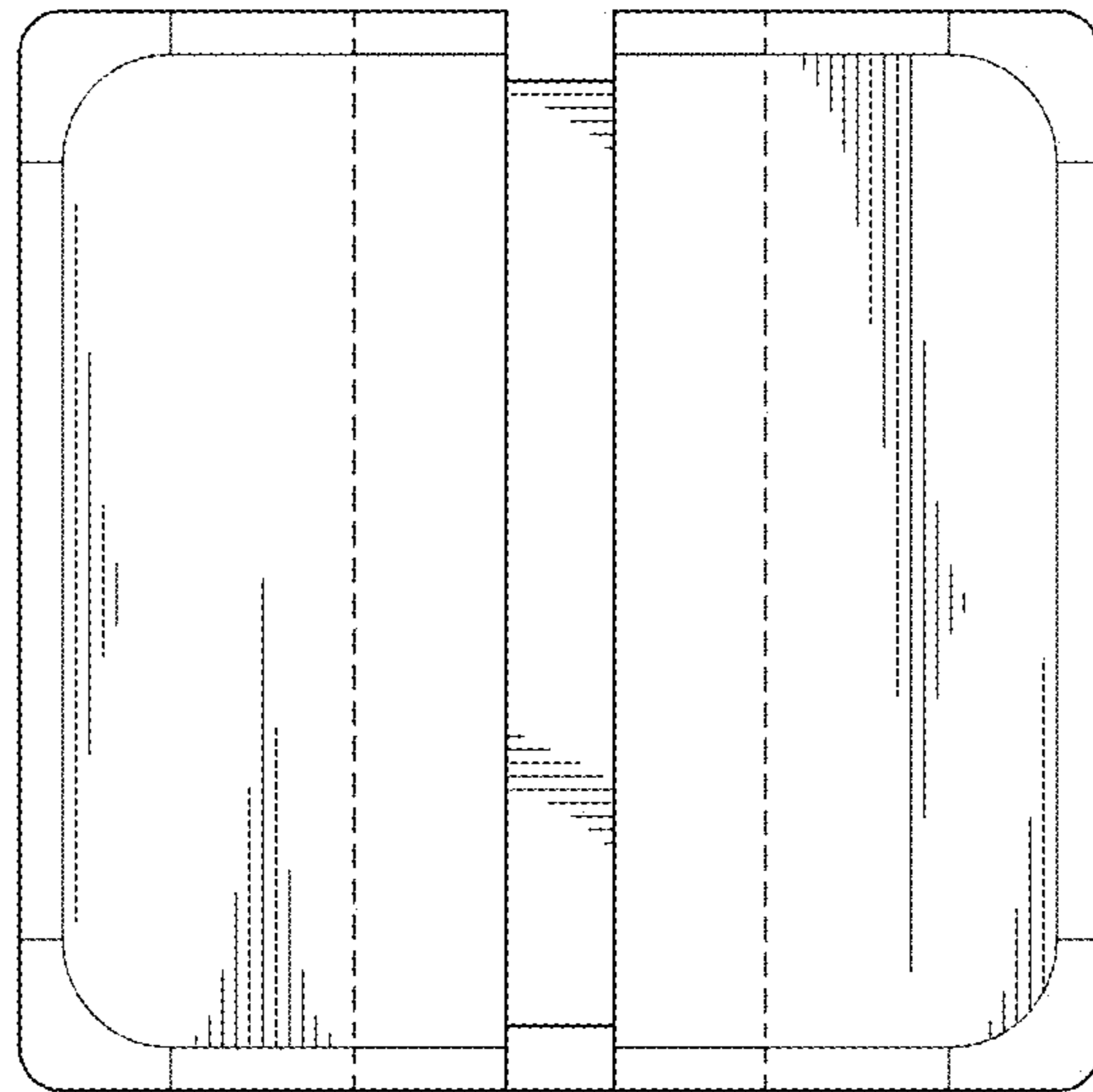


FIG. 7