



US00D888162S

(12) **United States Design Patent** (10) **Patent No.:** **US D888,162 S**  
**Fang** (45) **Date of Patent:** **\*\* Jun. 23, 2020**

(54) **TOY ROCKET**

(71) Applicant: **Zhicheng Fang**, Shantou (CN)

(72) Inventor: **Zhicheng Fang**, Shantou (CN)

(\*\*) Term: **15 Years**

(21) Appl. No.: **29/723,783**

(22) Filed: **Feb. 10, 2020**

(51) **LOC (12) Cl.** ..... **21-01**

(52) **U.S. Cl.**

USPC ..... **D21/452**

(58) **Field of Classification Search**

USPC ..... D21/447, 436, 441, 443, 444, 453, 473,  
D21/474, 451, 452; D12/16.1, 319, 320,  
D12/321, 322, 323, 324, 326, 327, 328,  
D12/329, 330, 331, 332, 333, 334, 335

CPC ..... B64C 23/00

See application file for complete search history.

(56) **References Cited**

**U.S. PATENT DOCUMENTS**

3,225,488	A	*	12/1965	Goldfarb	.....	A63H 27/10 446/224
D265,488	S	*	7/1982	Appel	.....	D21/447
D288,216	S	*	2/1987	Jensen	.....	D21/440
D424,508	S	*	5/2000	Hankinson	.....	D12/323
D431,846	S	*	10/2000	Le Porcher	.....	D21/452
D627,235	S	*	11/2010	Lo	.....	D21/452
D743,319	S	*	11/2015	Kapitan	.....	D12/319
D827,041	S	*	8/2018	Brand	.....	D21/452

**OTHER PUBLICATIONS**

[Online] <https://www.aliexpress.com/item/4000192213510.html>.  
Retrieved May 9, 2020.\*

[Online] “Tomy Toomies Fountain Rocker” <https://www.amazon.com/Toomies-E72357-Fountain-Rocket/dp/B00RZSRKL2>. Posted online Aug. 1, 2019. Retrieved May 9, 2020.\*

[Online] “iPlay . . .” [https://www.amazon.com/dp/B082WXBFN5/ref=sspa\\_dk\\_detail\\_3?psc=1&pd\\_rd\\_i=B082WXBFN5&pd\\_rd\\_w=24JfQ&pf\\_rd\\_p=48d372c1-f7e1-4b8b-9d02-4bd86f5158c5&pd\\_rd\\_wg=OMSIH&pf\\_rd\\_r=0ZFCRHD4DTSSH4S8GCEZ&pd\\_rd\\_r=57effb1d-55c1-4821-af0e-fe23ebdc16ba&spLa=ZW5jcnlwdGVkUXVhbGImaWVyPUExMTJDR0Q4Mjk4RlVaJmVuY3J5cHRlZEFkSWQ9QTA3Nzc5OTk5NjQ5TDFYRDdYTIkmd2lkZ2V0TmFtZT1zcF9kZXRhaWwmYWw9uPWNsaWNrUmVkaXJlY3QmZG9Ob3RMb2dDbGljaz10cnVI](https://www.amazon.com/dp/B082WXBFN5/ref=sspa_dk_detail_3?psc=1&pd_rd_i=B082WXBFN5&pd_rd_w=24JfQ&pf_rd_p=48d372c1-f7e1-4b8b-9d02-4bd86f5158c5&pd_rd_wg=OMSIH&pf_rd_r=0ZFCRHD4DTSSH4S8GCEZ&pd_rd_r=57effb1d-55c1-4821-af0e-fe23ebdc16ba&spLa=ZW5jcnlwdGVkUXVhbGImaWVyPUExMTJDR0Q4Mjk4RlVaJmVuY3J5cHRlZEFkSWQ9QTA3Nzc5OTk5NjQ5TDFYRDdYTIkmd2lkZ2V0TmFtZT1zcF9kZXRhaWwmYWw9uPWNsaWNrUmVkaXJlY3QmZG9Ob3RMb2dDbGljaz10cnVI). Retrieved May 9, 2020.\*

\* cited by examiner

*Primary Examiner* — Melanie Pellegrini

(74) *Attorney, Agent, or Firm* — ZANIP

(57) **CLAIM**

The ornamental design for a toy rocket, as shown and described.

**DESCRIPTION**

FIG. 1 is a front and top perspective view of a toy rocket, showing my new design;

FIG. 2 is a rear and bottom perspective view thereof;

FIG. 3 is a front elevational view thereof;

FIG. 4 is a rear elevational view thereof;

FIG. 5 is a left side elevational view thereof;

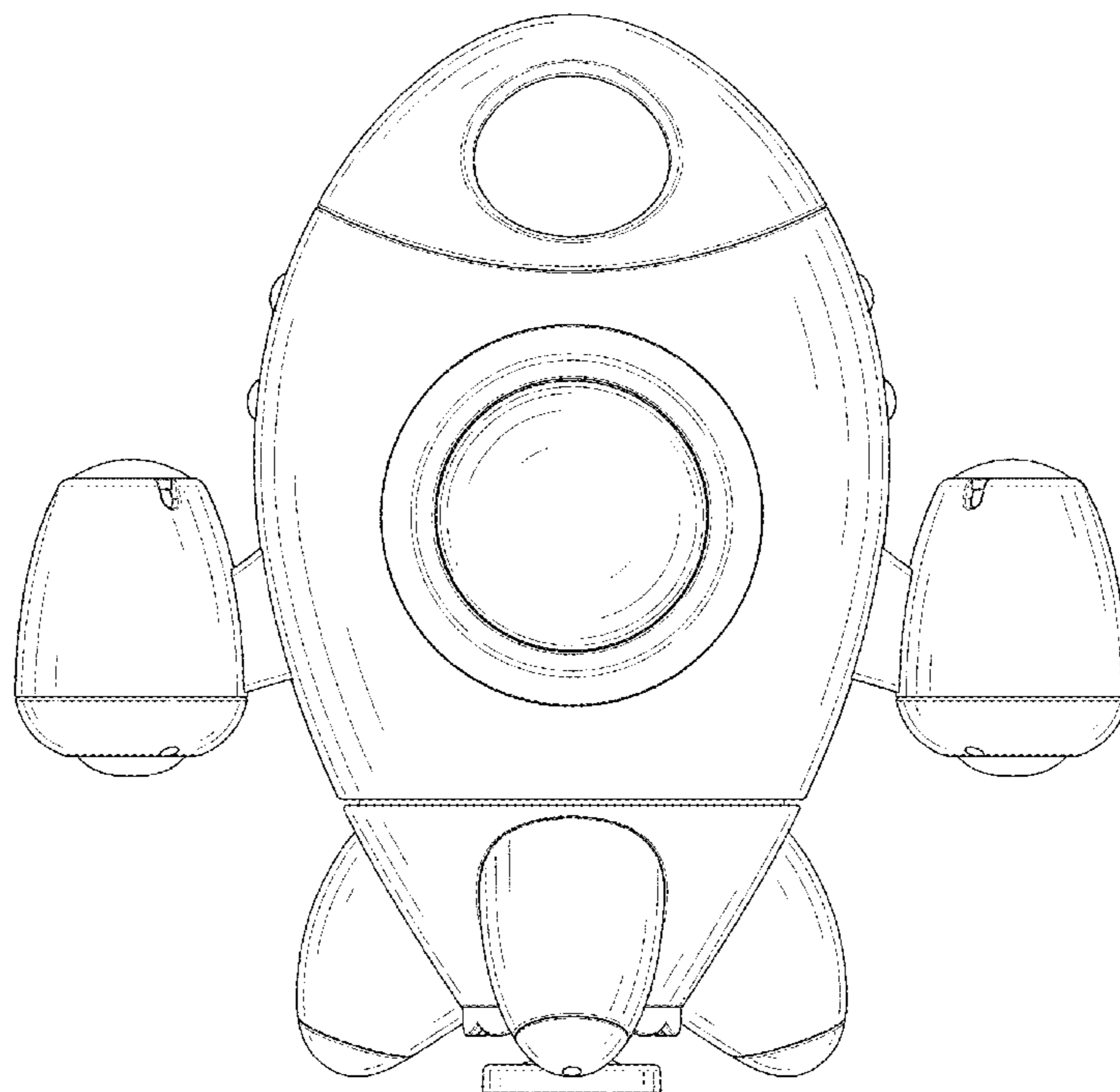
FIG. 6 is a right side elevational view thereof;

FIG. 7 is a top plan view thereof; and,

FIG. 8 is a bottom plan view thereof.

The broken lines in the figures illustrate portions of the toy rocket that form no part of the claimed design.

**1 Claim, 8 Drawing Sheets**



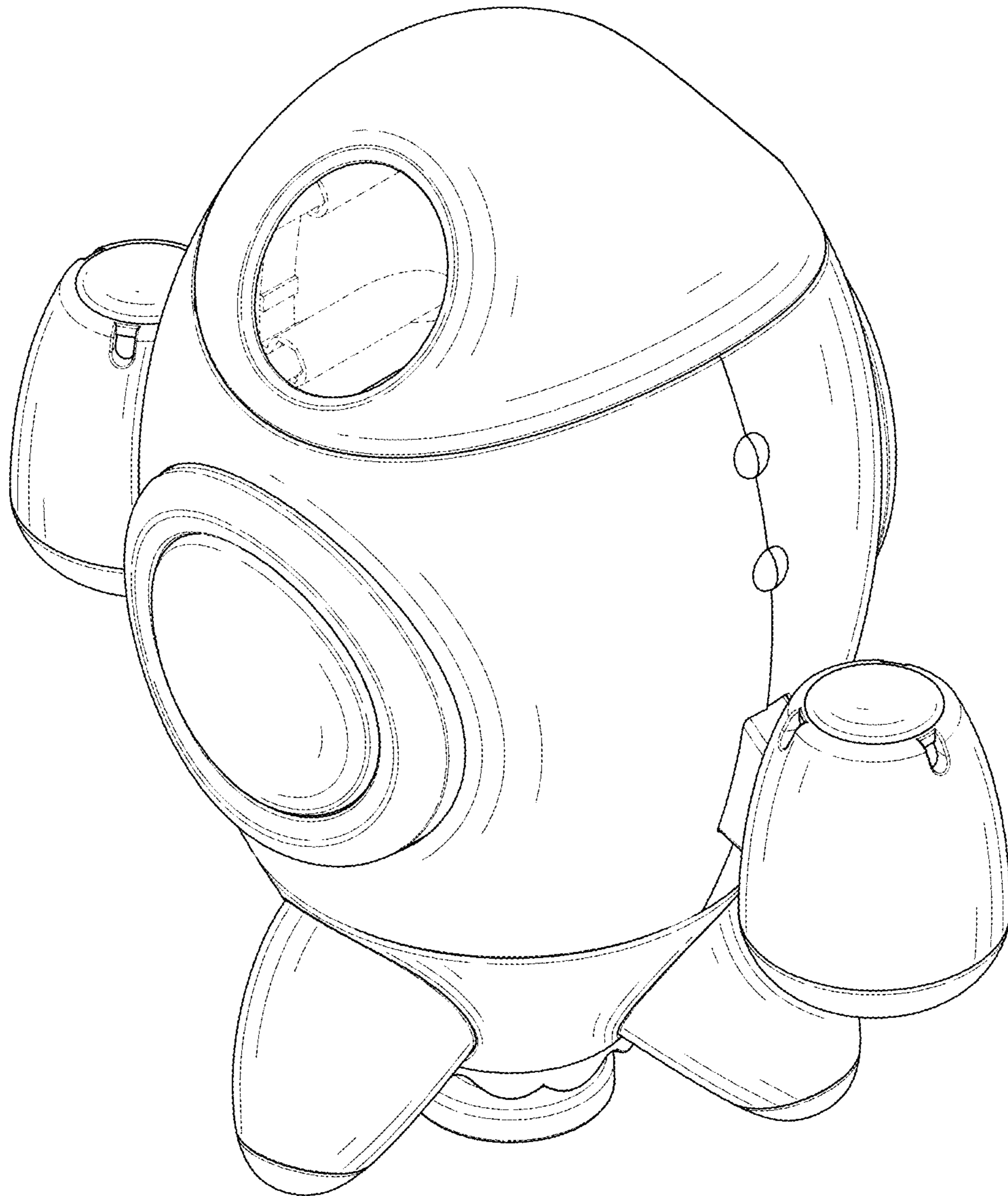


FIG. 1

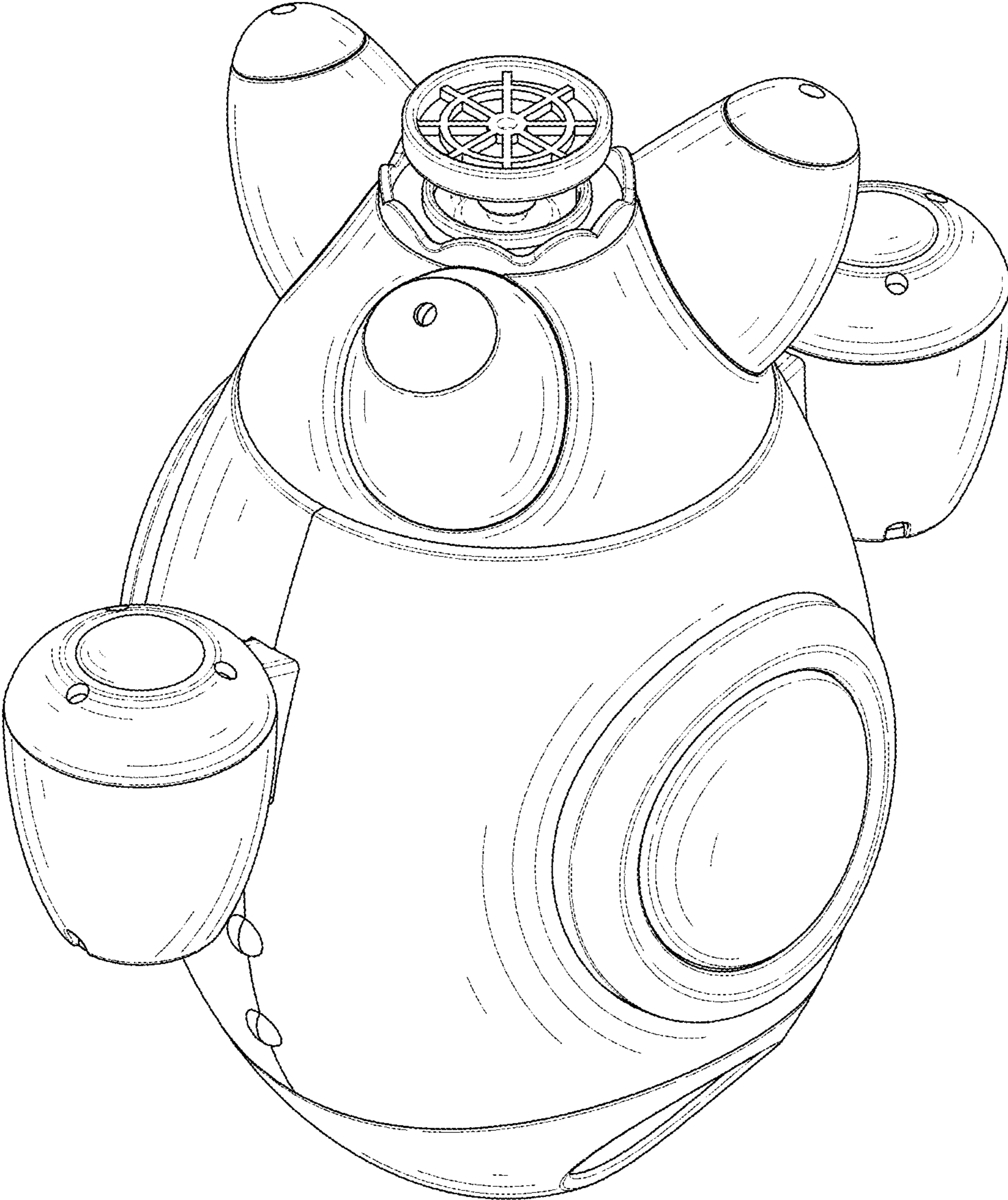


FIG. 2

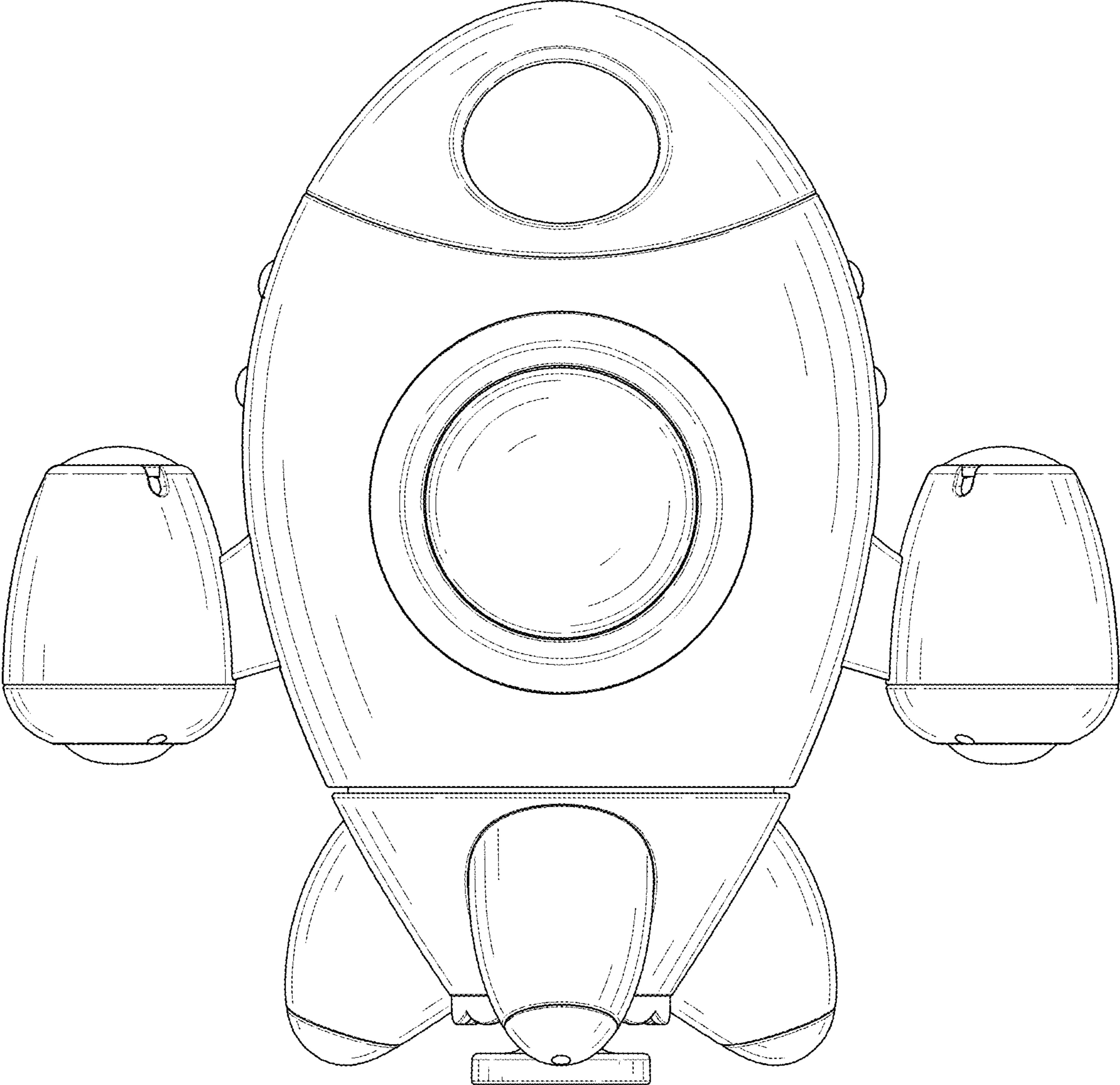


FIG. 3

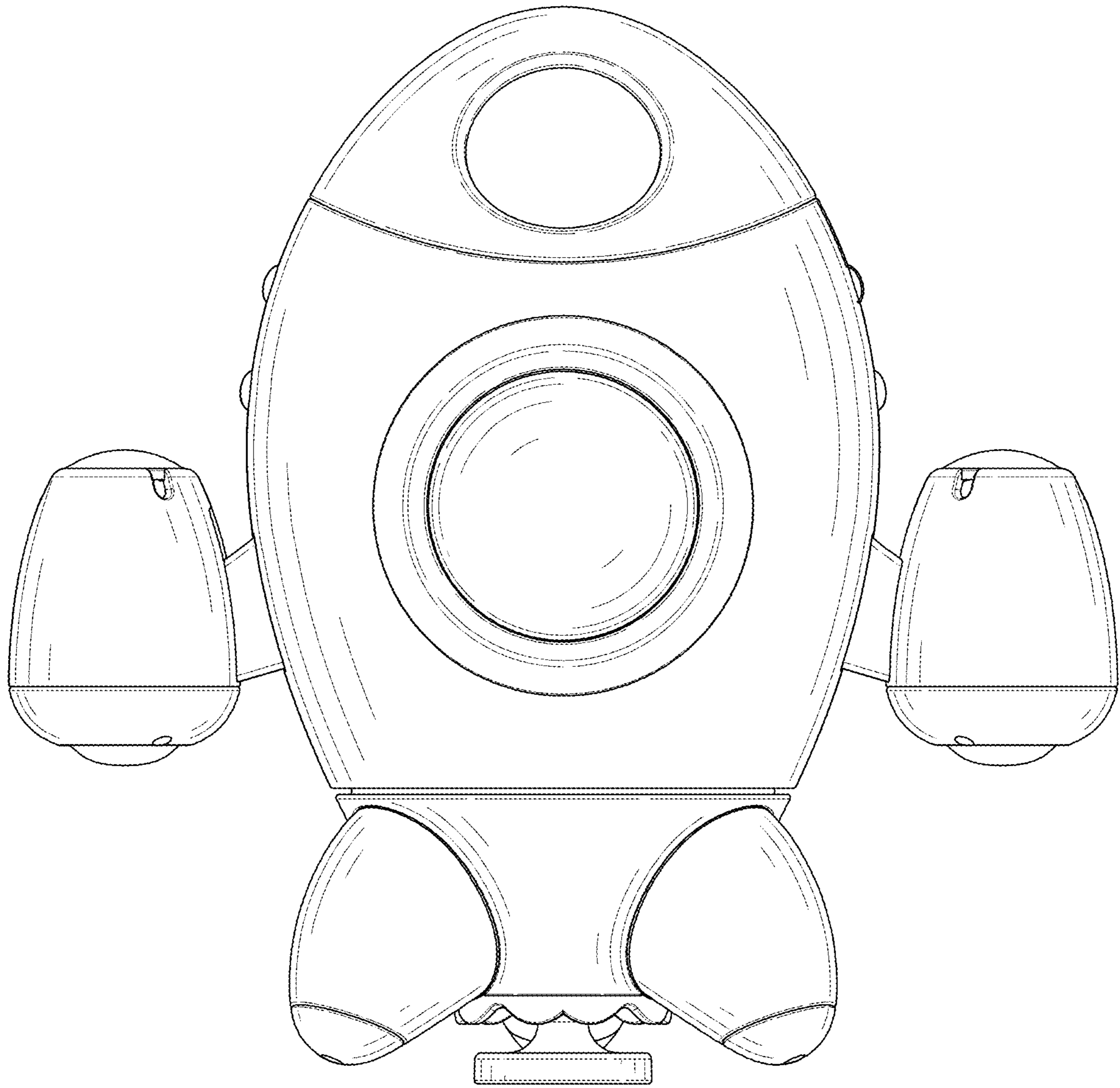


FIG. 4

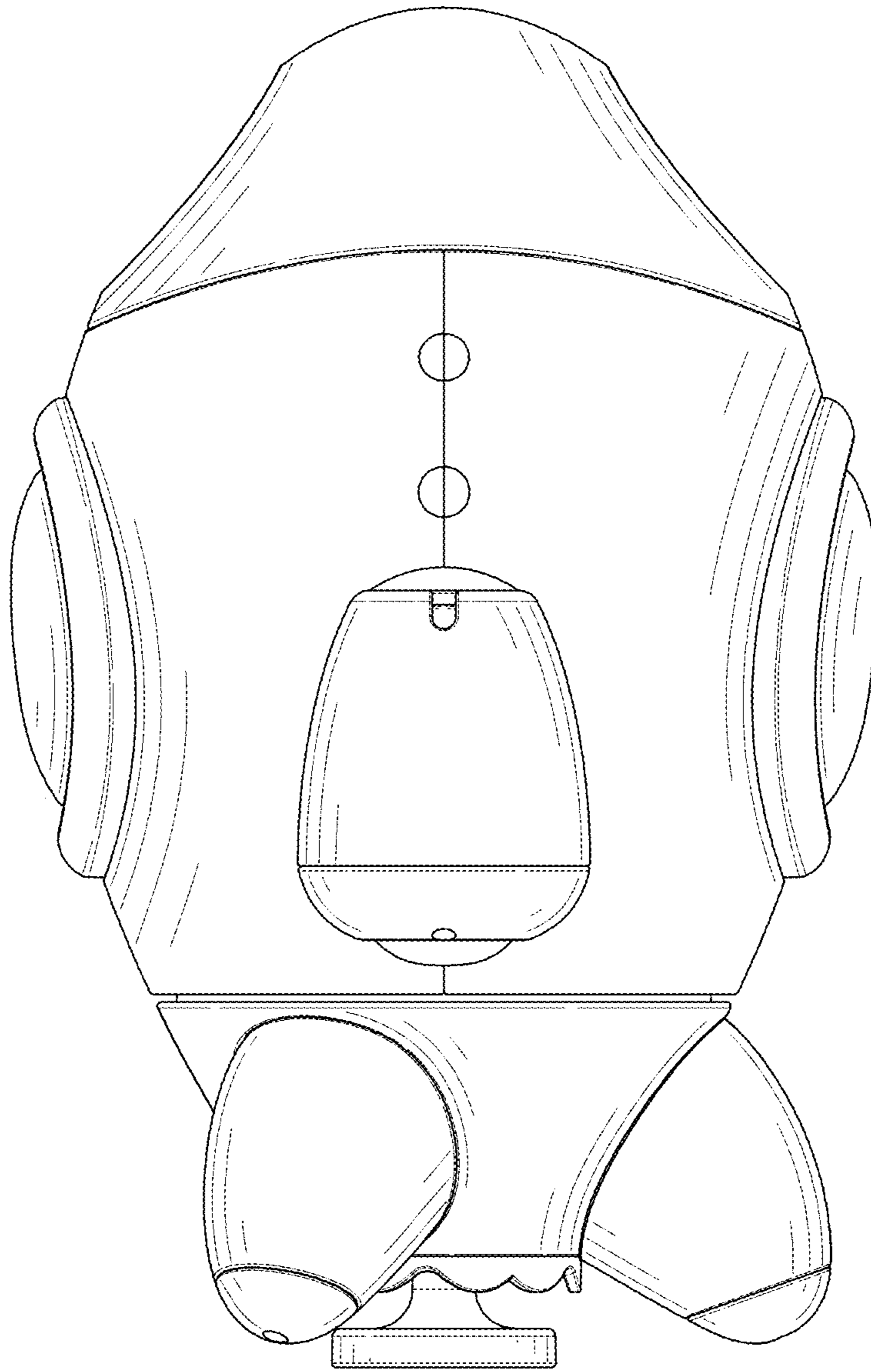


FIG. 5

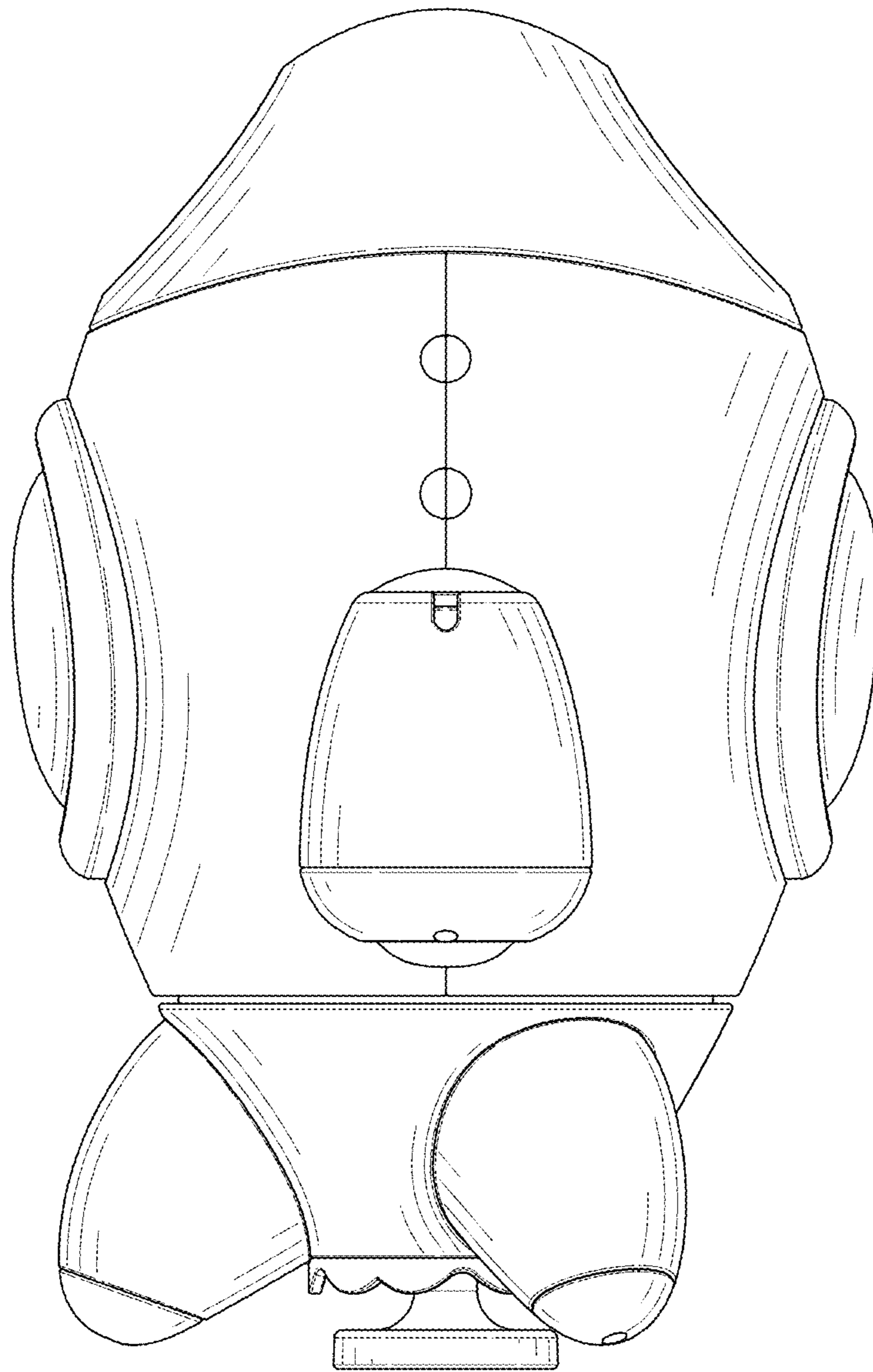


FIG. 6

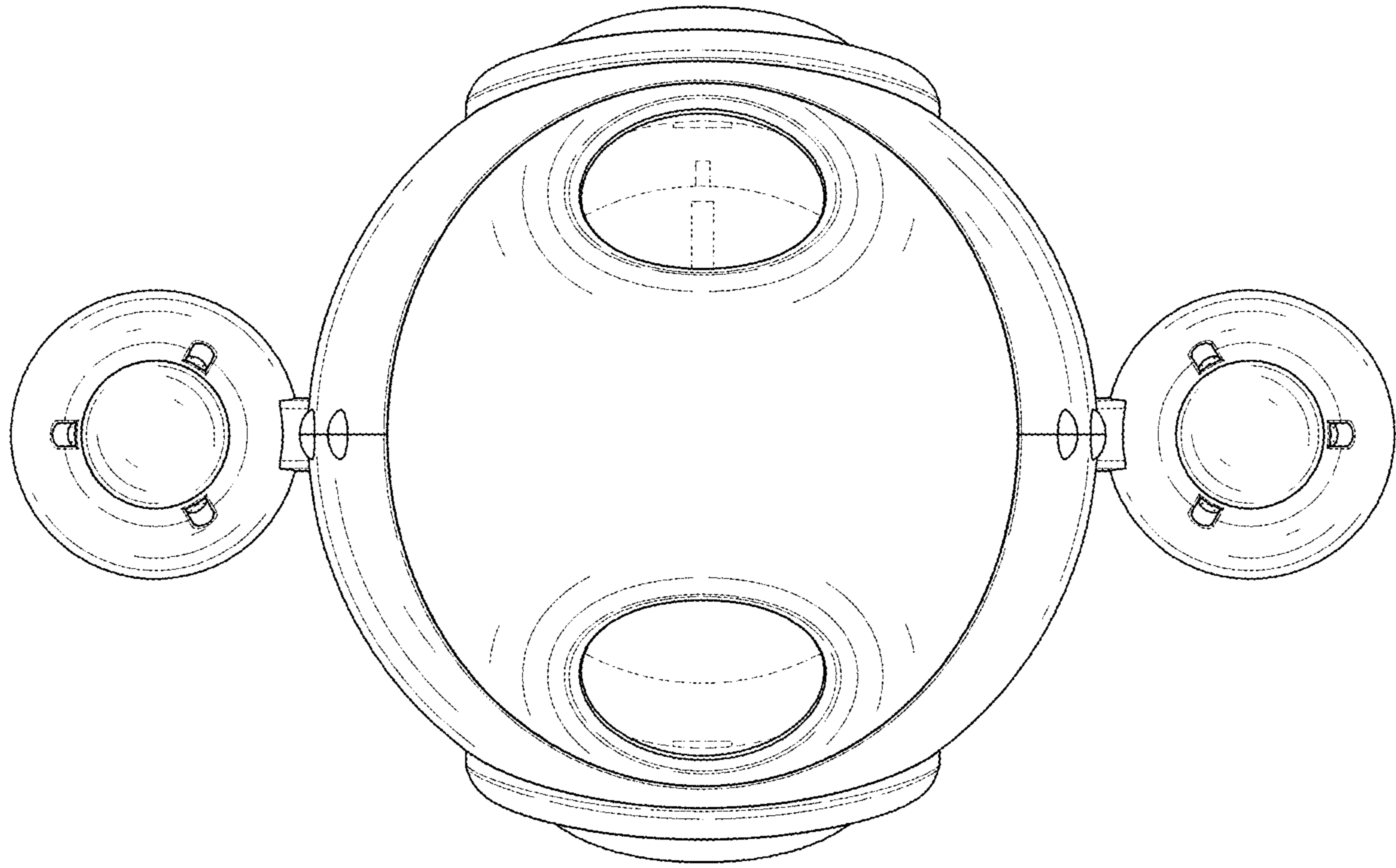


FIG. 7



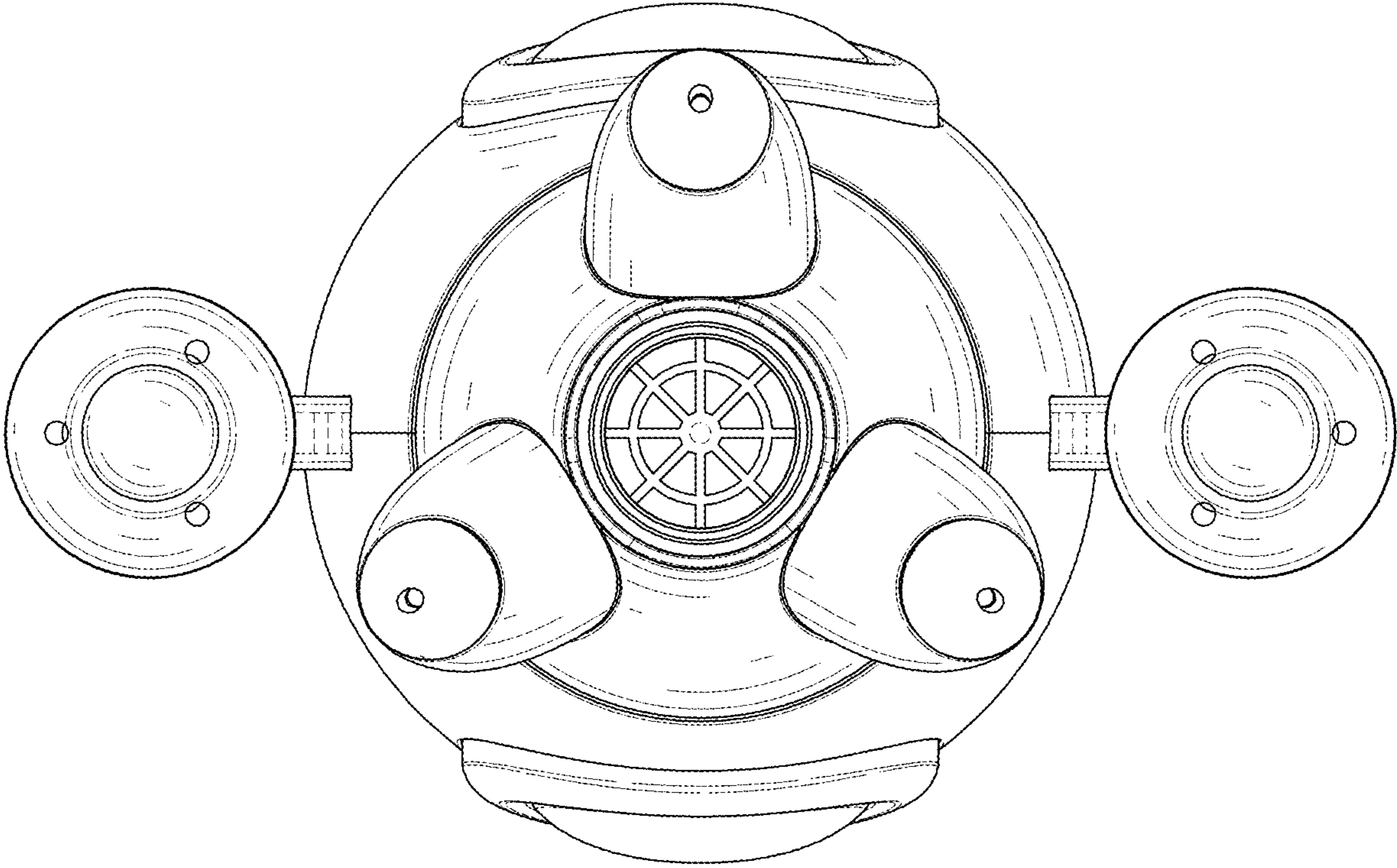


FIG. 8