



US00D888158S

(12) **United States Design Patent**  
**Glenn, II et al.**

(10) **Patent No.:** **US D888,158 S**

(45) **Date of Patent:** **\*\* Jun. 23, 2020**

(54) **GAMING TERMINAL WITH ILLUMINATED REGIONS**

(71) Applicant: **BALLY GAMING, INC.**, Las Vegas, NV (US)

(72) Inventors: **Robert J. Glenn, II**, Chicago, IL (US);  
**Paul M. Lesley**, Blue Island, IL (US);  
**Nicholas Matthew Garoufalis**, Pittsburgh, PA (US); **Timothy C. Loose**, Chicago, IL (US)

(73) Assignee: **SG Gaming, Inc.**, Las Vegas, NV (US)

(\*\*) Term: **15 Years**

(21) Appl. No.: **29/615,866**

(22) Filed: **Aug. 31, 2017**

(51) **LOC (12) Cl.** ..... **21-03**

(52) **U.S. Cl.**  
USPC ..... **D21/369**

(58) **Field of Classification Search**  
USPC ..... D21/369, 370, 371, 385, 329, 325, 394;  
D14/307, 172, 129, 325, 401, 371, 126,  
D14/439, 432, 450, 128, 375, 248, 374,  
D14/341, 138 G, 127; 463/28, 13, 11,  
463/16, 20, 25, 31, 46, 23, 30, 17, 36, 29,  
463/42, 34, 32, 35, 19, 21, 22; 273/292,  
273/203, 138.2, 143 R, 142 R, 138.1;  
D19/60; D16/226; D8/335, 331, 334;  
D26/141; D7/641  
CPC ..... G07F 17/32; G07F 17/34; G07F 17/3211;  
G07F 17/3244; G07F 17/3267  
See application file for complete search history.

(56) **References Cited**

U.S. PATENT DOCUMENTS

6,715,756 B2 \* 4/2004 Inoue ..... G07F 17/3213  
273/138.1  
D508,268 S \* 8/2005 Hanchar ..... D21/369  
D529,966 S \* 10/2006 LeSourd ..... D21/385

D617,388 S \* 6/2010 Wildner ..... D21/325  
D626,183 S \* 10/2010 Cole ..... D21/370  
D673,620 S \* 1/2013 Johnson ..... D21/369  
D673,621 S \* 1/2013 Johnson ..... D21/369  
D685,033 S \* 6/2013 Wudtke ..... D21/370  
D718,818 S \* 12/2014 Sumii ..... D14/401  
D740,888 S \* 10/2015 DePalma ..... D21/370  
D742,975 S \* 11/2015 Myers ..... D21/370  
D763,361 S \* 8/2016 Rosander ..... D21/370  
D780,494 S \* 3/2017 Hussein ..... D6/706  
9,704,337 B2 \* 7/2017 Riggs ..... G07F 17/3258

(Continued)

OTHER PUBLICATIONS

Twin Star by SG dated Feb. 8, 2018. Found online [Aug. 16, 2019][https://www.youtube.com/watch?v=msnBuEM9H\\_Q](https://www.youtube.com/watch?v=msnBuEM9H_Q) (Year: 2018).\*

*Primary Examiner* — Ryan Harvey

(74) *Attorney, Agent, or Firm* — Banner & Witcoff, Ltd.

(57) **CLAIM**

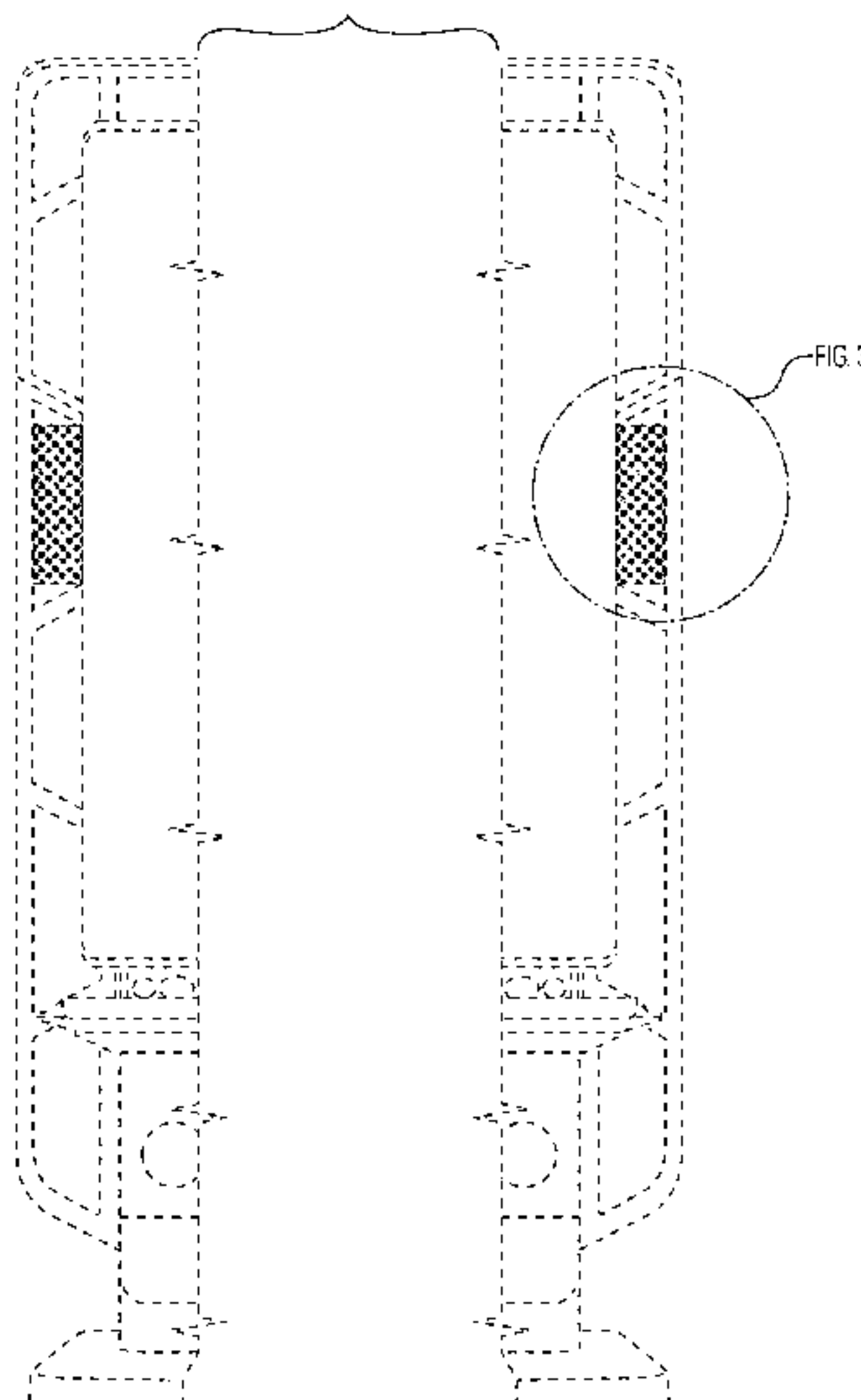
The ornamental design for a gaming terminal with illuminated regions, as shown and described.

**DESCRIPTION**

FIG. 1 is a front view of a gaming terminal with illuminated regions showing our new design;  
FIG. 2 is a right side view thereof, the left side view being a mirror image thereof;  
FIG. 3 is an enlarged view of the identified region of FIG. 1; and,  
FIG. 4 is an enlarged view of the identified region of FIG. 2.

The claimed design is shown with a symbolic break in its length. The appearance of any portion of the article between the break lines forms no part of the claimed design. The broken line showing of the remainder of the gaming terminal illustrates environmental structure and forms no part of the claimed design.

**1 Claim, 3 Drawing Sheets**



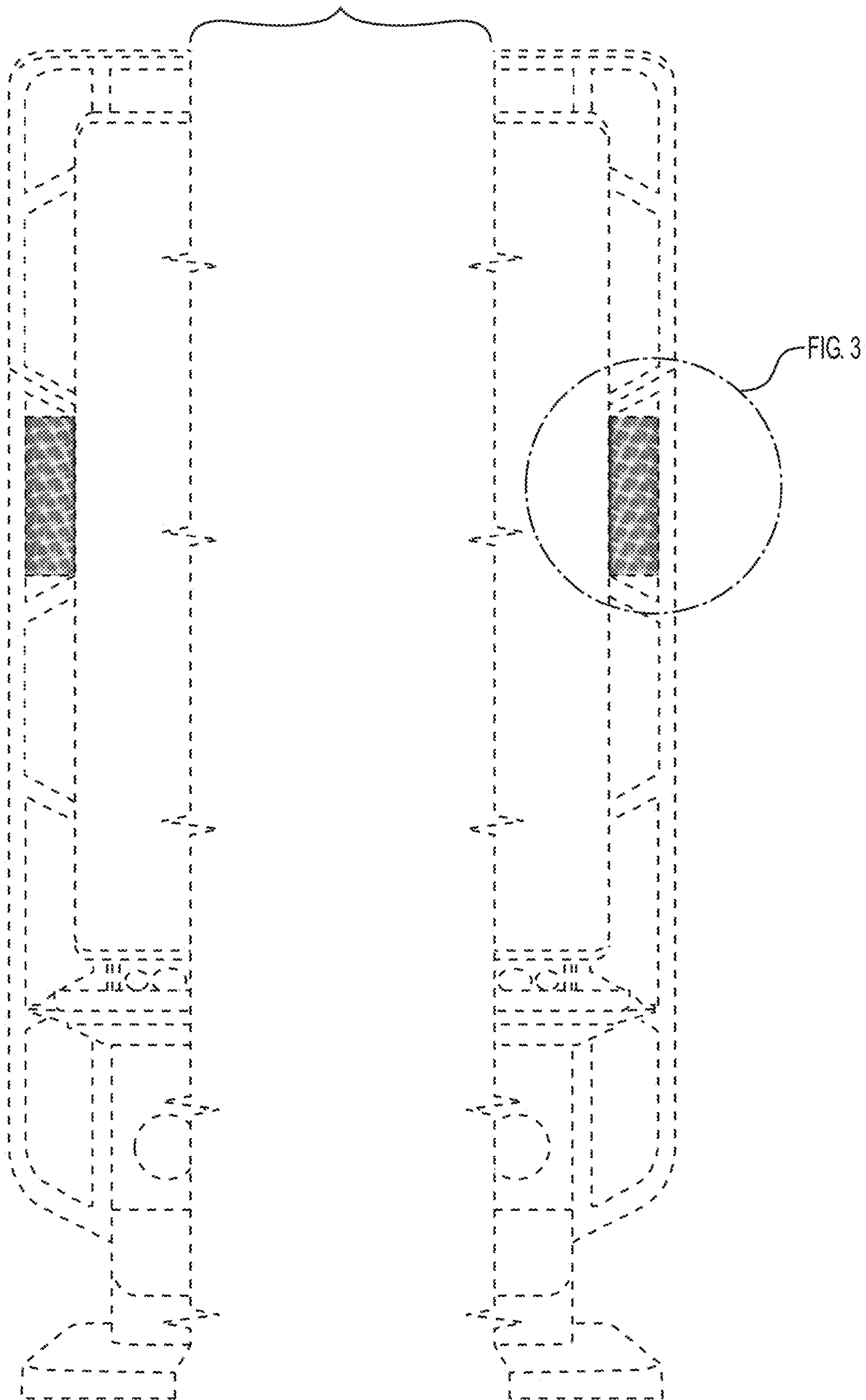
(56)

**References Cited**

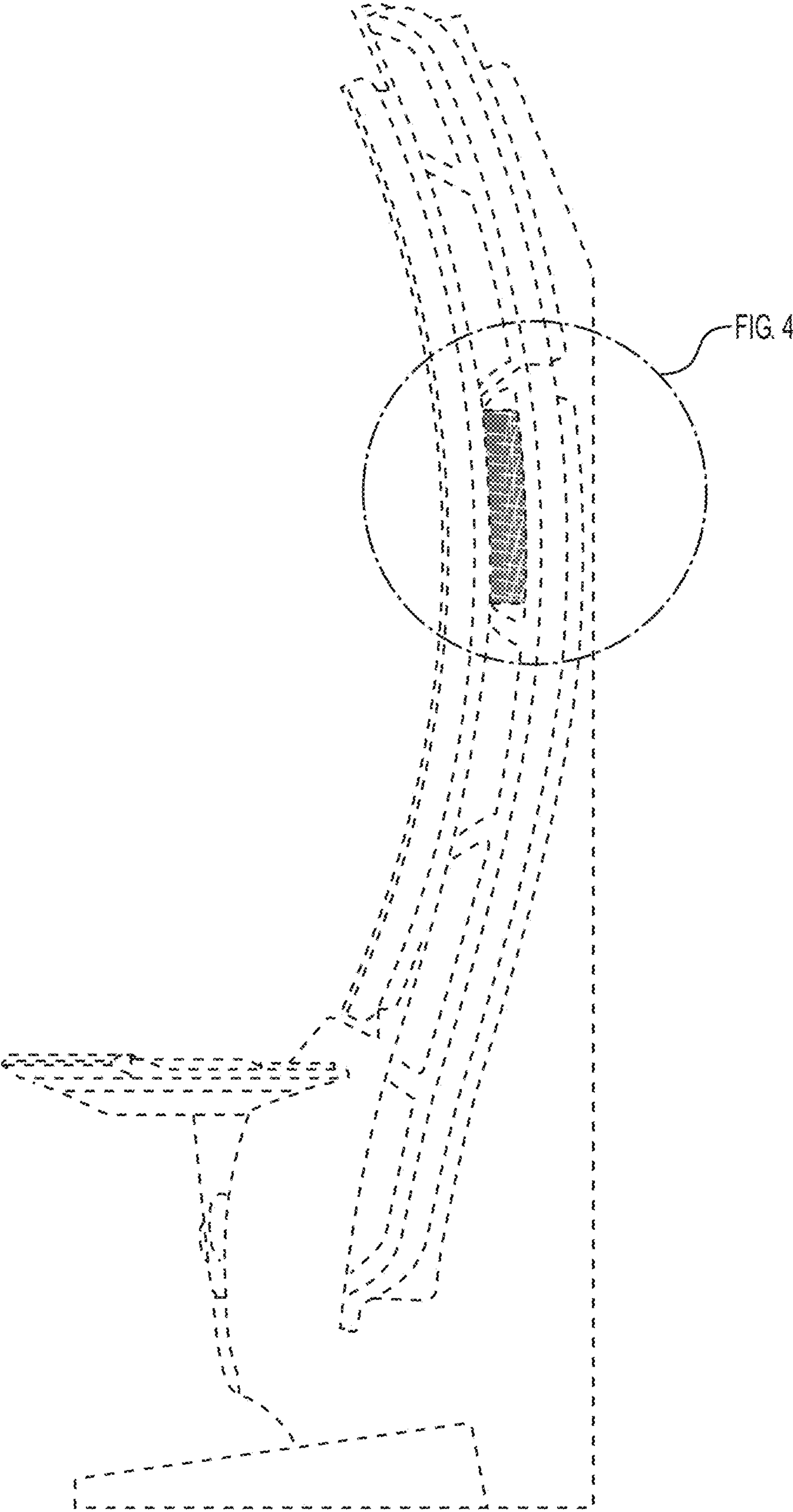
U.S. PATENT DOCUMENTS

D796,724 S *	9/2017	Sonneman .....	D26/85
D801,739 S *	11/2017	Husseini .....	D6/706
D819,747 S *	6/2018	Castro .....	D21/369
D820,915 S *	6/2018	Lee .....	D21/369
D842,933 S *	3/2019	Castro .....	D21/396
D843,474 S *	3/2019	Lesley .....	D21/369
D843,475 S *	3/2019	Lesley .....	D21/369
D843,476 S *	3/2019	Lesley .....	D21/369
D846,649 S *	4/2019	Schoonmaker .....	D21/369
2006/0079316 A1 *	4/2006	Flemming .....	G07F 17/32 463/25

\* cited by examiner

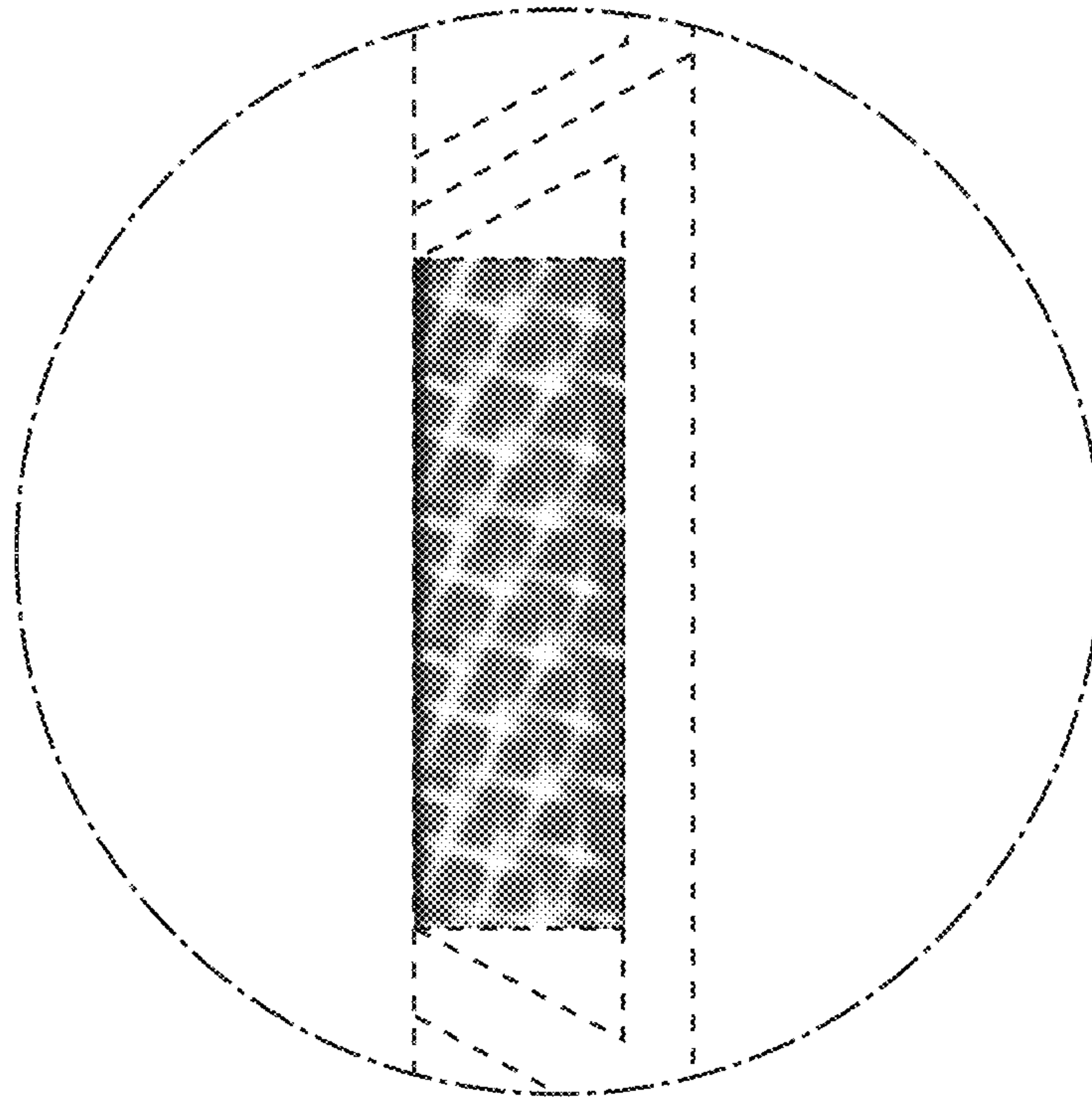


**FIG. 1**

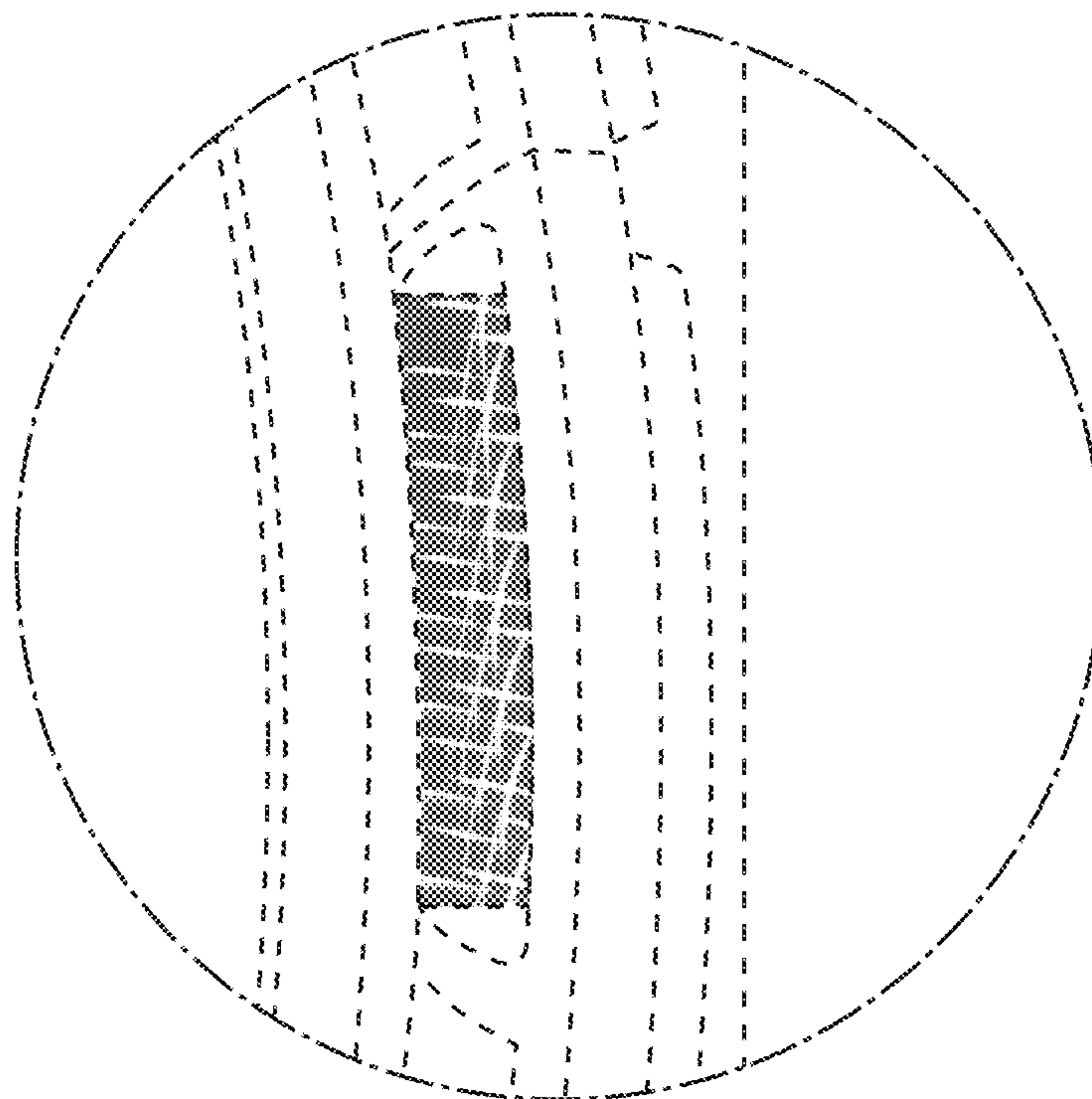


**FIG. 2**





**FIG. 3**



**FIG. 4**