



US00D888157S

(12) **United States Design Patent**
Wei

(10) **Patent No.:** **US D888,157 S**

(45) **Date of Patent:** **** Jun. 23, 2020**

(54) **GAME DEVICE**

(71) Applicant: **Shenzhen Yangliming Electronic Technology Co., Ltd, Shenzhen (CN)**

(72) Inventor: **Jianxiao Wei, Shenzhen (CN)**

(**) Term: **15 Years**

(21) Appl. No.: **29/633,059**

(22) Filed: **Jan. 11, 2018**

(51) **LOC (12) Cl.** **21-01**

(52) **U.S. Cl.**

USPC **D21/331**

(58) **Field of Classification Search**

USPC D21/324, 328, 329, 330, 331, 333, 341, D21/342, 349, 386; D14/218, 250, 299, D14/322, 341, 345, 346, 353, 354, 374, D14/375, 376, 421, 432, 440, 37, 47

CPC A45C 13/00; A45C 13/001; A45C 13/002; A63F 13/10; A63F 13/98; A63F 13/24; A63F 9/0291

See application file for complete search history.

(56) **References Cited**

U.S. PATENT DOCUMENTS

D328,474 S *	8/1992	Chen	D21/331
D382,914 S *	8/1997	Ho	D21/331
D394,883 S *	6/1998	Tsui	D21/331
D499,423 S *	12/2004	Bahroocha	D14/203.7
D529,045 S *	9/2006	Shin	D14/203.7
D530,699 S *	10/2006	Lee	D14/138 G
D541,298 S *	4/2007	Andre	D14/496
D543,528 S *	5/2007	Kim	D14/138 AB
D554,635 S *	11/2007	Chung	D14/341
D558,791 S *	1/2008	Toh	D14/496
D601,139 S *	9/2009	Huang	D14/341
D619,991 S *	7/2010	Huang	D14/138 G

D622,245 S *	8/2010	Okada	D14/138 G
D666,679 S *	9/2012	Ehara	D21/330
D681,127 S *	4/2013	Ashida	D21/328
D689,138 S *	9/2013	Ashida	D21/332
D692,882 S *	11/2013	Lakraa	D14/138 G
D701,862 S *	4/2014	Lee	D14/420
D741,952 S *	10/2015	Nokuo	D14/401
D793,479 S *	8/2017	Youssef	D21/331
D819,696 S *	6/2018	Ehara	D14/496
2007/0184786 A1 *	8/2007	Kim	H04M 1/0216 455/90.3
2007/0184882 A1 *	8/2007	Kim	H04M 1/0235 455/575.4
2014/0179437 A1 *	6/2014	King	A63F 13/06 463/37

* cited by examiner

Primary Examiner — Sandra S Snapp

Assistant Examiner — Mehri F Bajoul

(74) *Attorney, Agent, or Firm* — Prakash Nama; Global IP Services, PLLC

(57) **CLAIM**

The ornamental design for a game device, as shown and described.

DESCRIPTION

FIG. 1 is a front elevational view of a game device showing my new design;

FIG. 2 is a rear elevational view thereof;

FIG. 3 is a left side view thereof;

FIG. 4 is a right side view thereof;

FIG. 5 is a top plan view thereof;

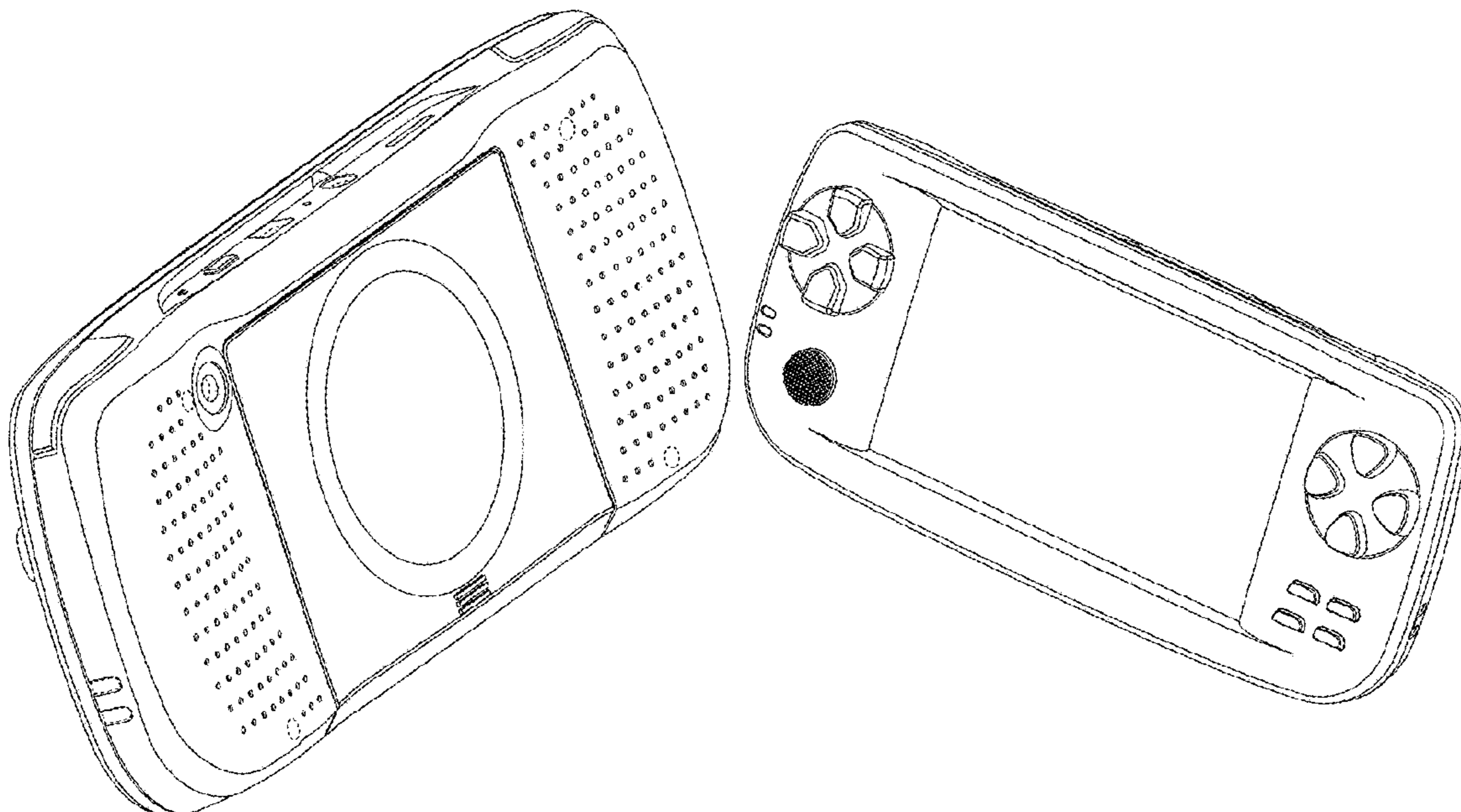
FIG. 6 is a bottom plan view thereof;

FIG. 7 is a rear perspective view thereof; and,

FIG. 8 is a front perspective view thereof.

The broken lines in the drawings show portions of the game device that form no part of the claimed design.

1 Claim, 8 Drawing Sheets



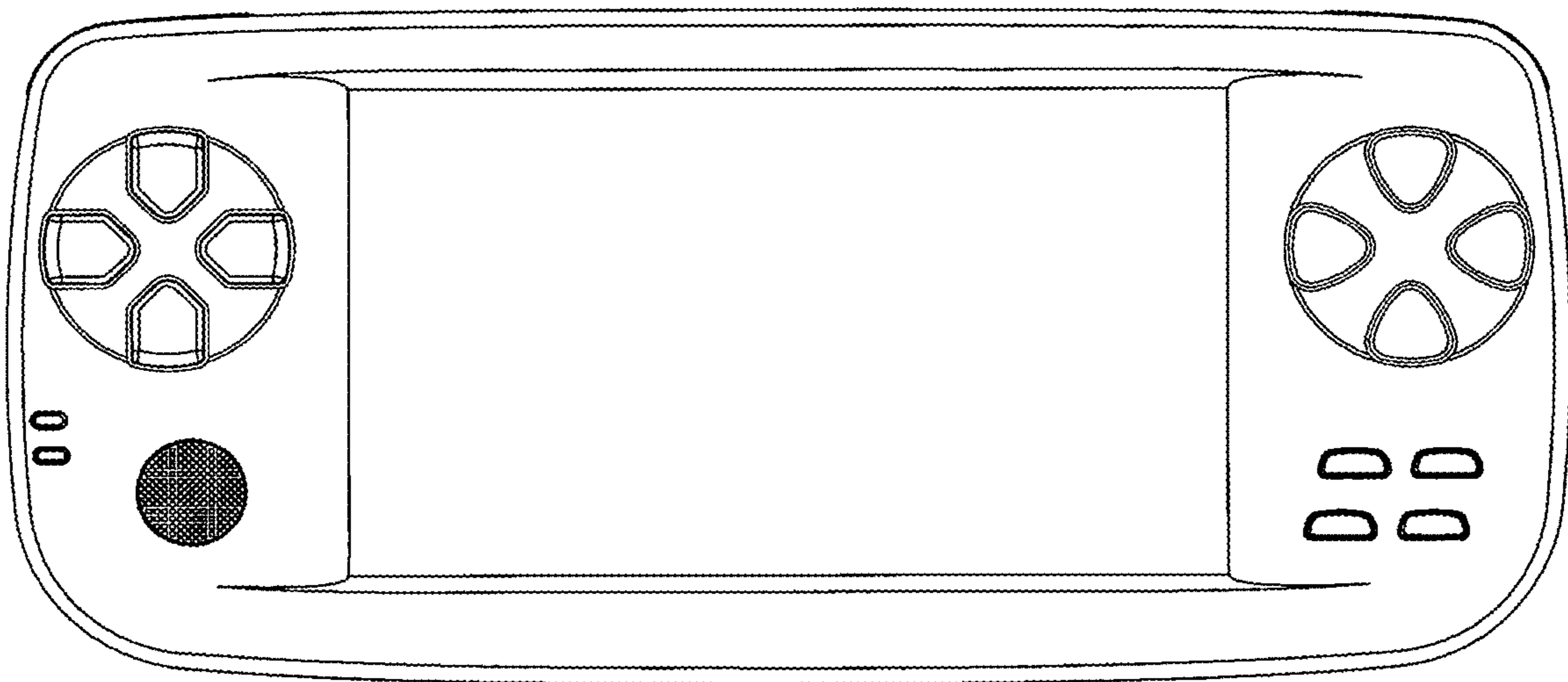


Fig. 1

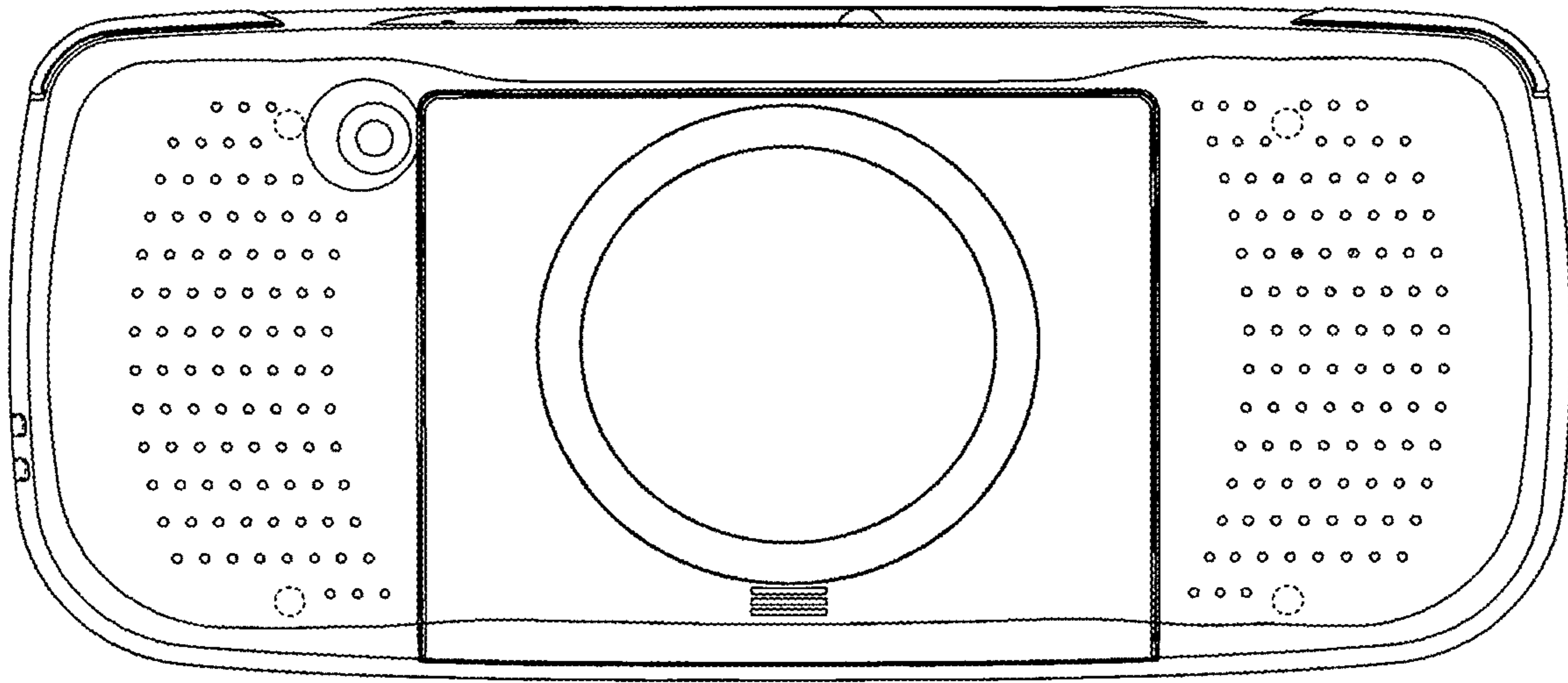


Fig. 2

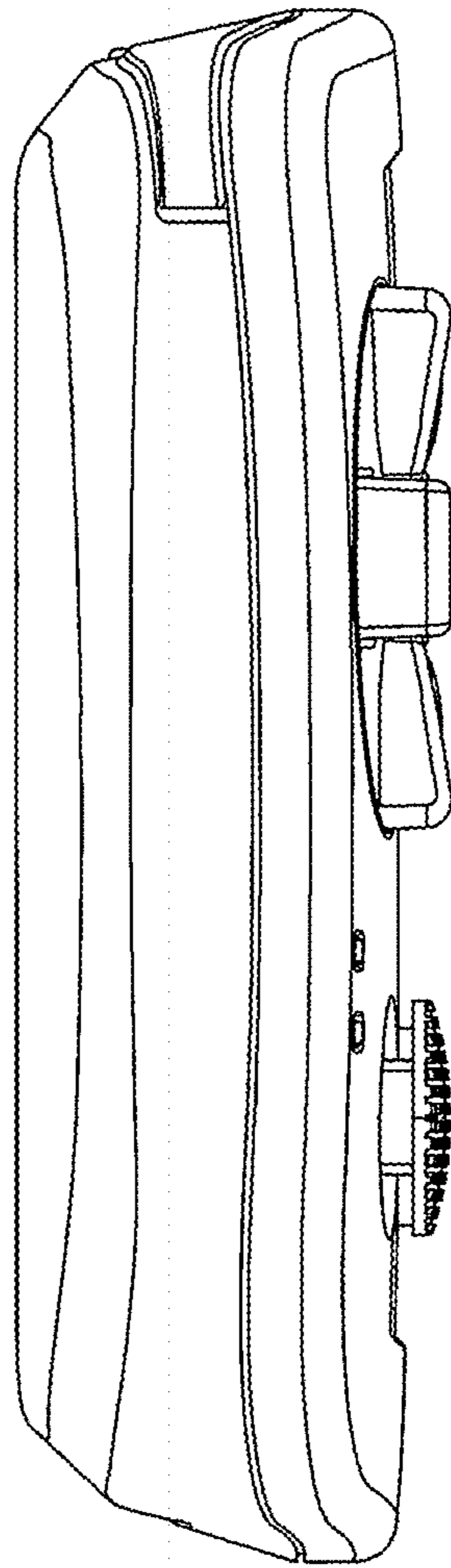


Fig. 3

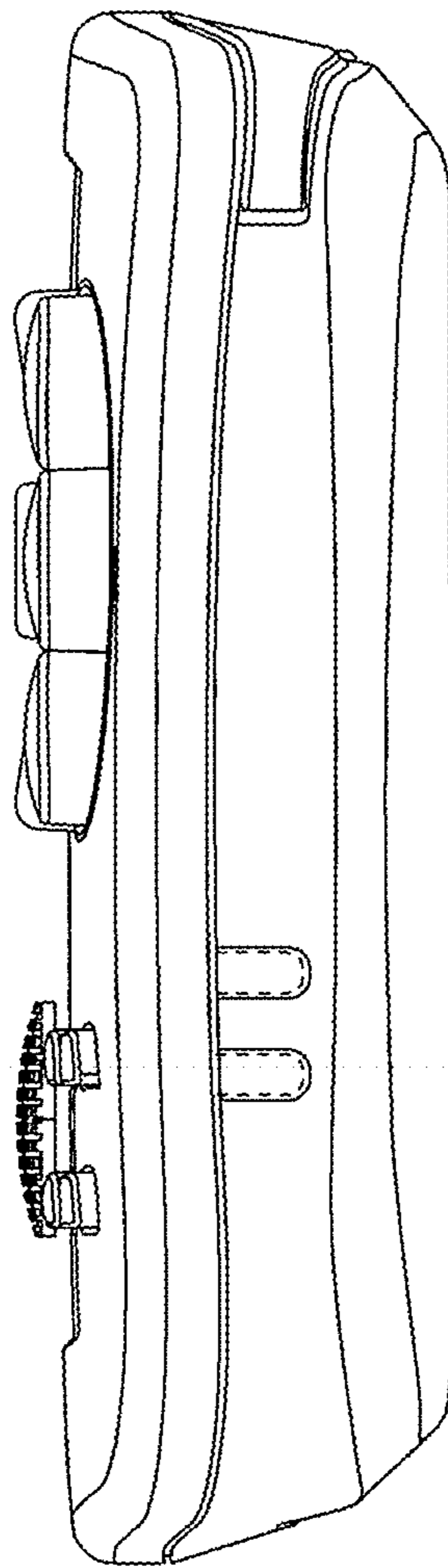


Fig. 4

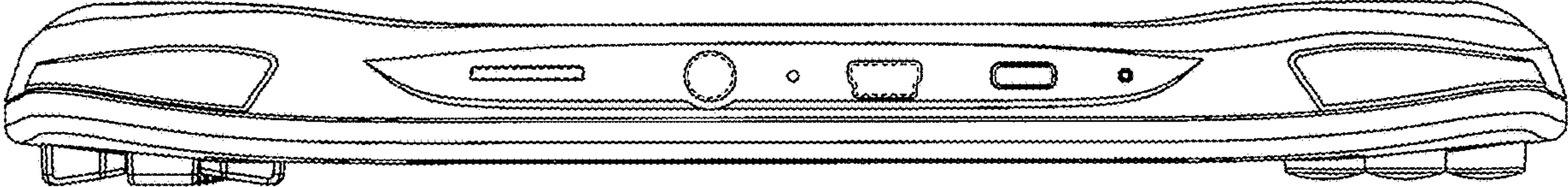


Fig. 5

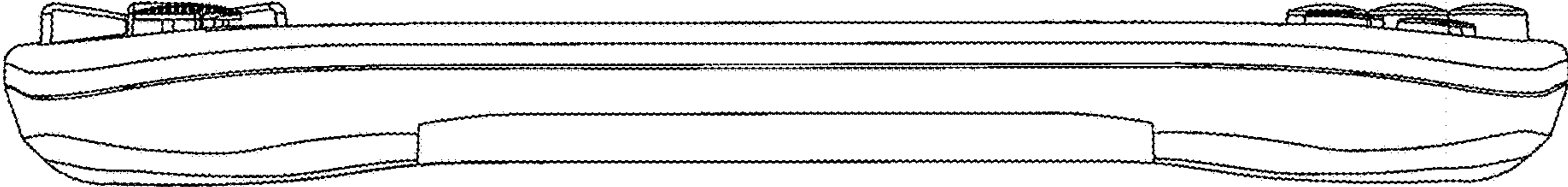


Fig. 6

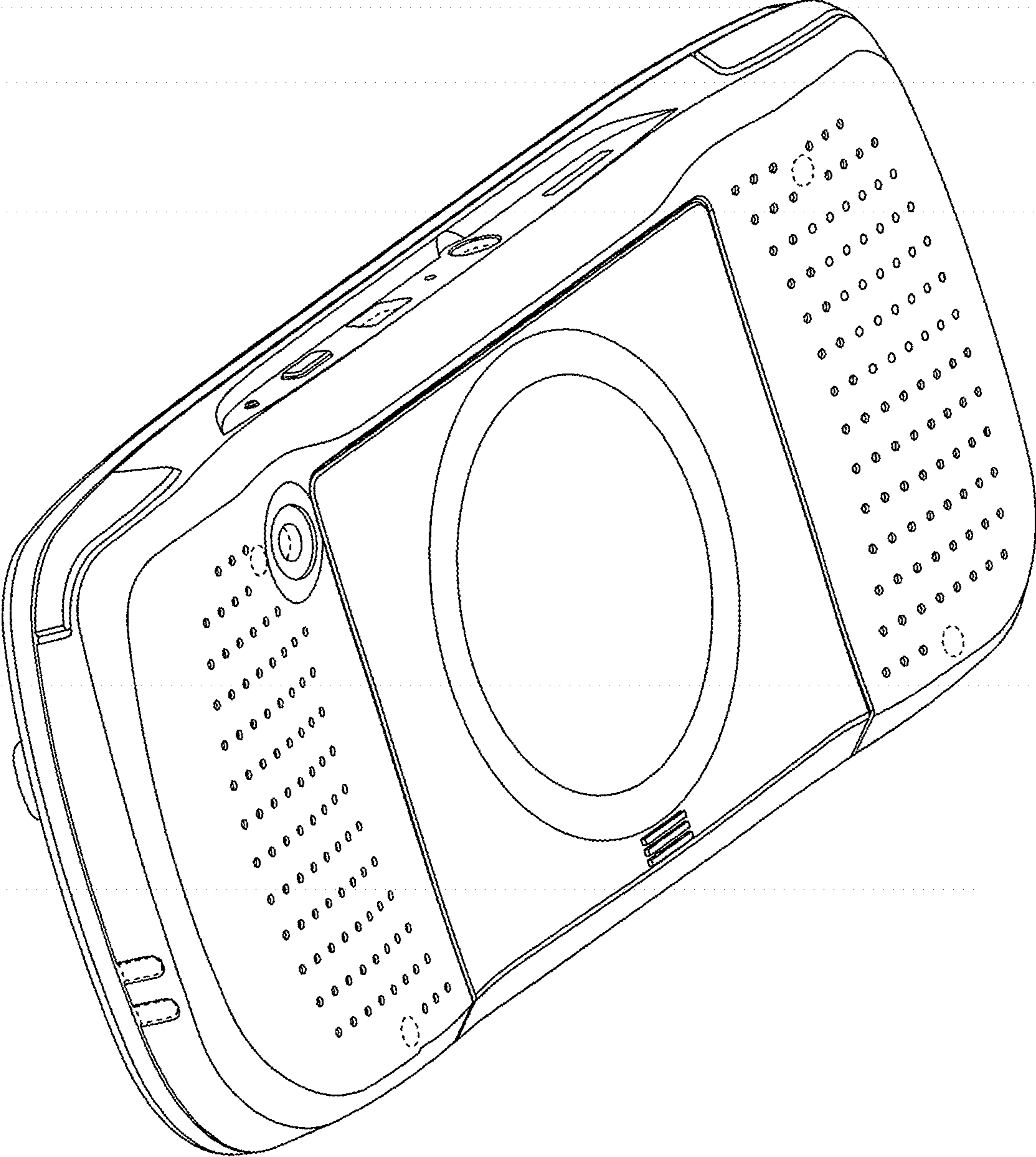


Fig. 7

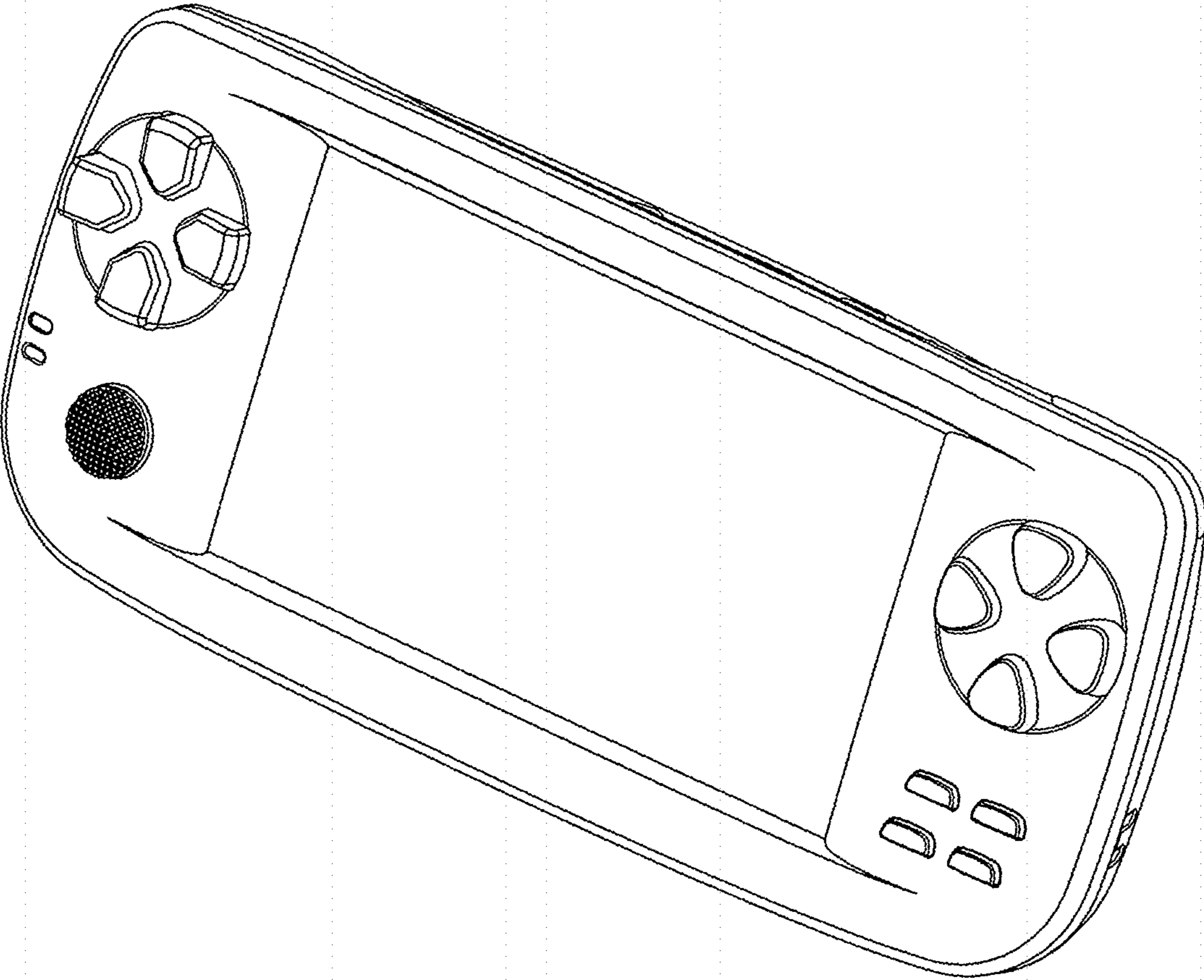


Fig. 8